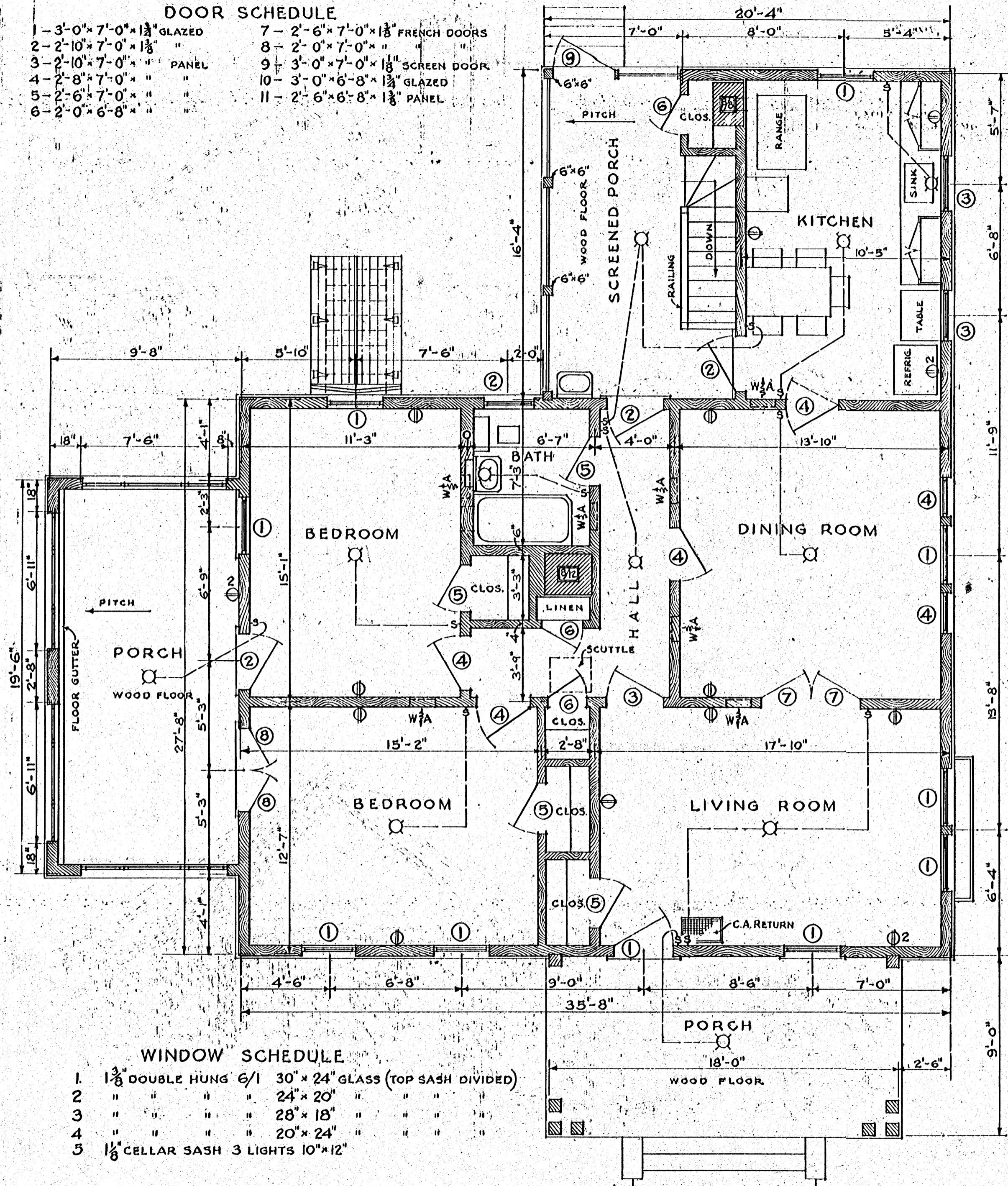


**DOOR SCHEDULE**

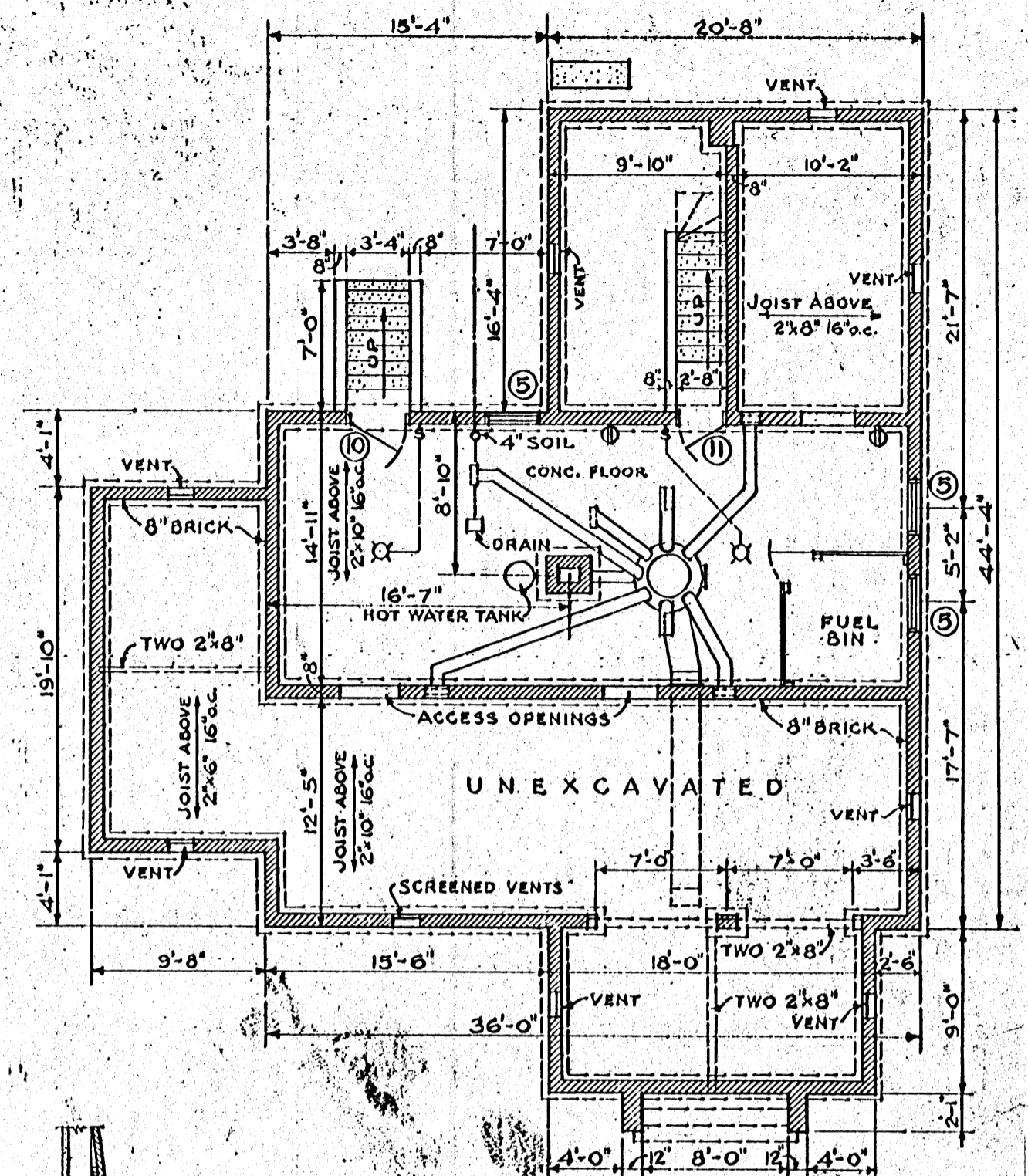
- 1 - 3'-0" x 7'-0" x 1 1/8" GLAZED
- 2 - 2'-10" x 7'-0" x 1 1/8" "
- 3 - 2'-10" x 7'-0" " PANEL
- 4 - 2'-8" x 7'-0" " "
- 5 - 2'-6" x 7'-0" " "
- 6 - 2'-0" x 6'-8" " "
- 7 - 2'-6" x 7'-0" x 1 1/8" FRENCH DOORS
- 8 - 2'-0" x 7'-0" " " "
- 9 - 3'-0" x 7'-0" x 1 1/8" SCREEN DOOR
- 10 - 3'-0" x 6'-8" x 1 1/8" GLAZED
- 11 - 2'-6" x 6'-8" x 1 1/8" PANEL



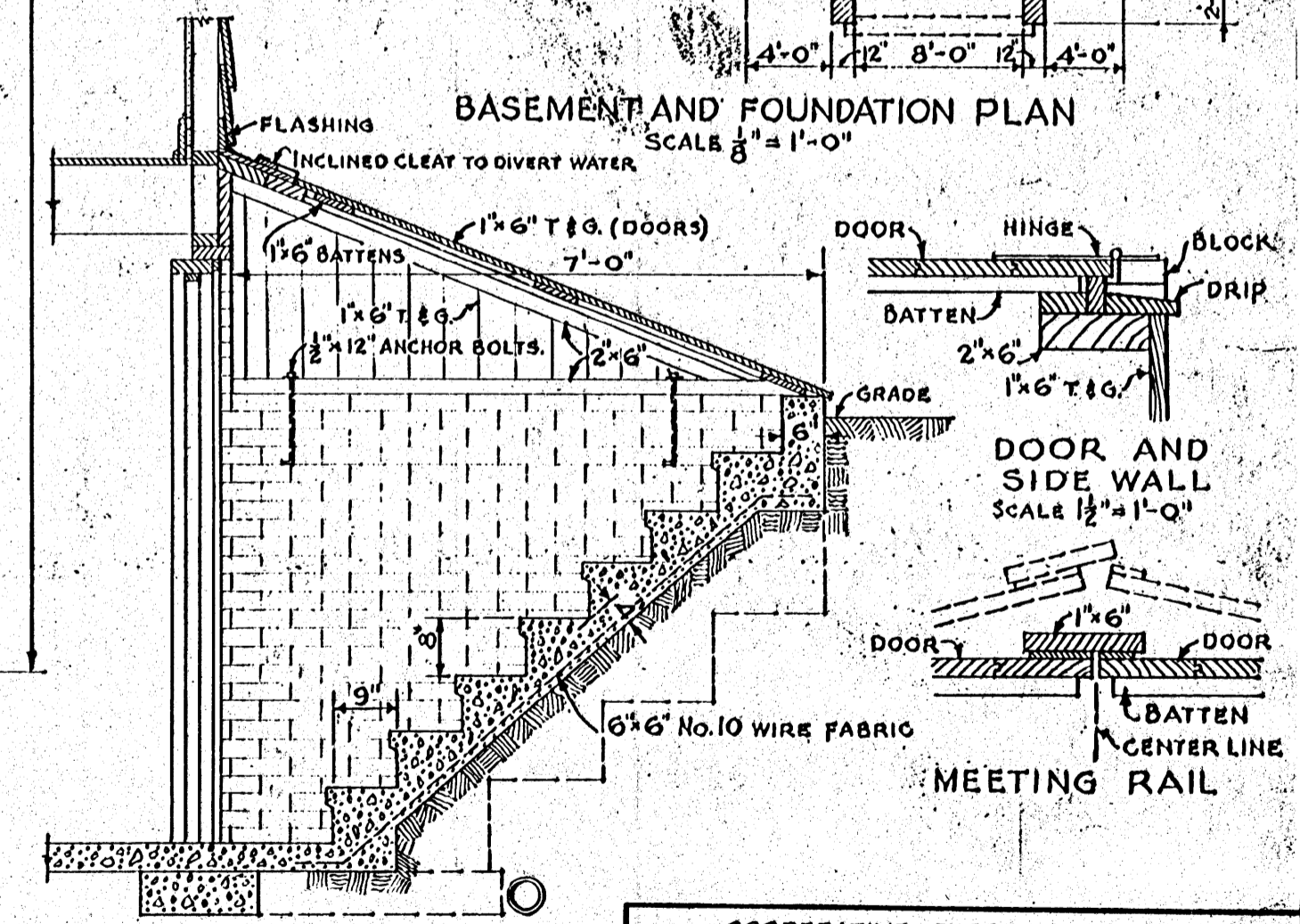
**WINDOW SCHEDULE**

- 1. 1 3/8" DOUBLE HUNG 6/1 30" x 24" GLASS (TOP SASH DIVIDED)
- 2. " " " " 24" x 20" " " " "
- 3. " " " " 28" x 18" " " " "
- 4. " " " " 20" x 24" " " " "
- 5. 1 1/8" CELLAR SASH 3 LIGHTS 10" x 12"

**FLOOR PLAN**  
SCALE 1/4" = 1'-0"



**BASEMENT AND FOUNDATION PLAN**  
SCALE 1/8" = 1'-0"



**EXTERIOR CELLAR STAIRS**  
SCALE 1/2" = 1'-0"

**DOOR AND SIDE WALL**  
SCALE 1/2" = 1'-0"

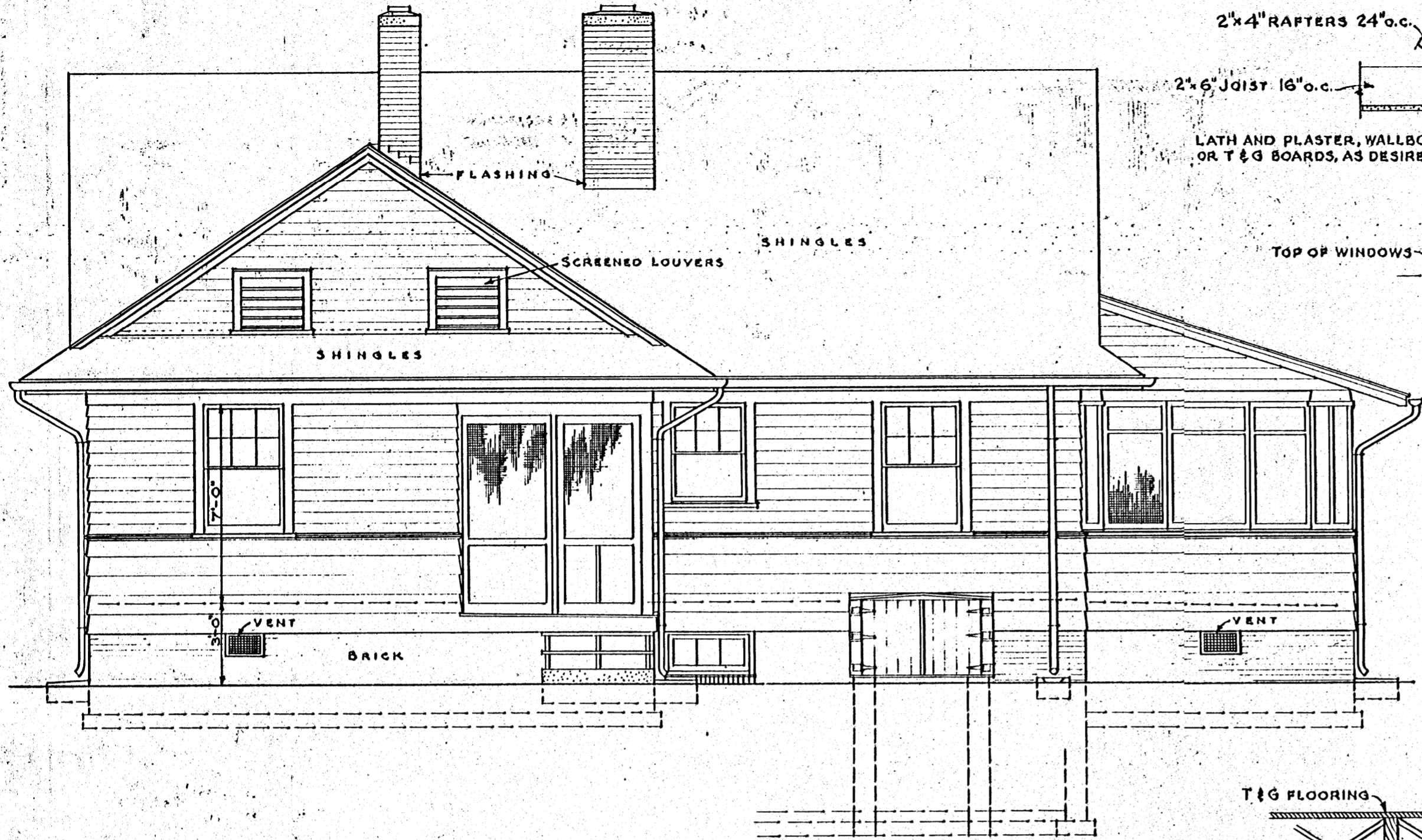
COOPERATIVE EXTENSION WORK IN  
AGRICULTURE AND HOME ECONOMICS

AND  
U. S. DEPT. OF AGRICULTURE COOPERATING

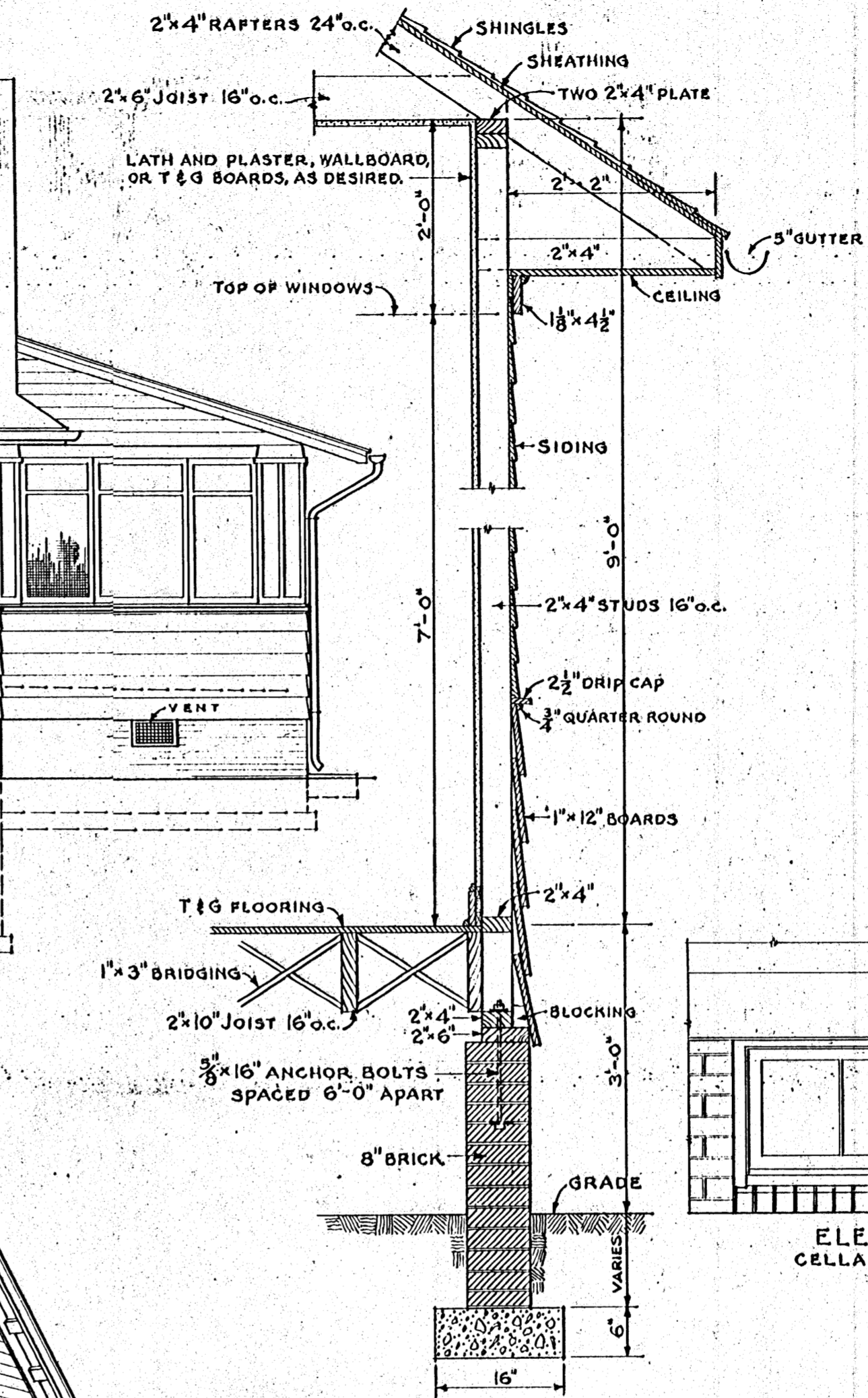
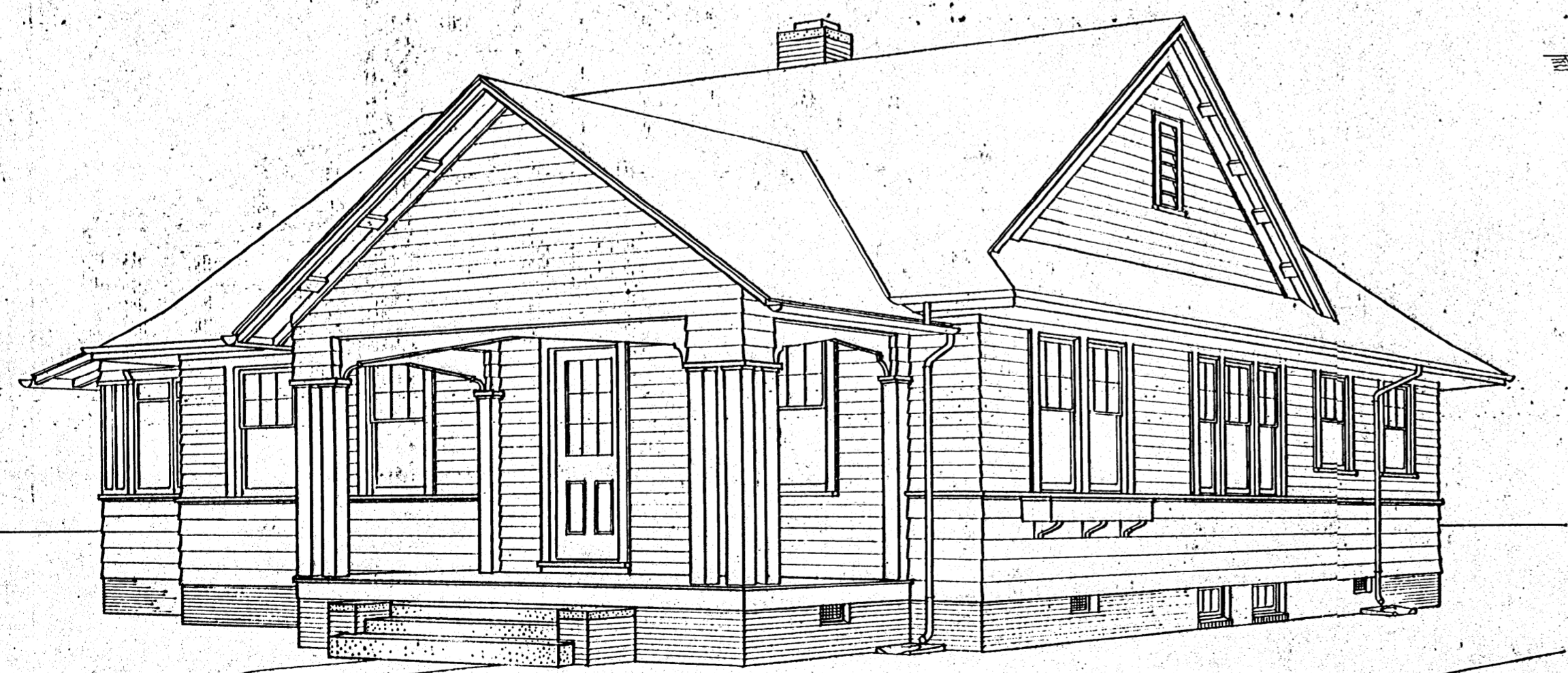
**FARMHOUSE**

U.S.D.A. EX. 5054 SHEET 1 OF 3

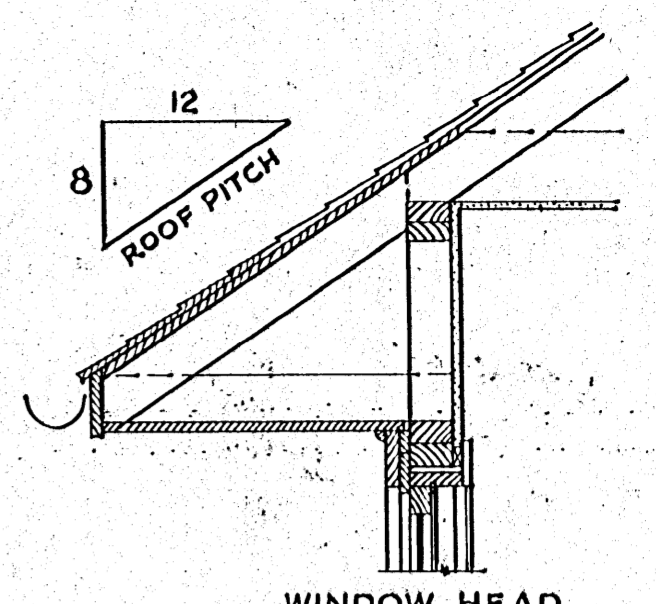
710



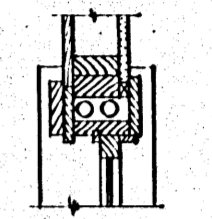
REAR ELEVATION  
SCALE  $\frac{1}{4}'' = 1'-0''$



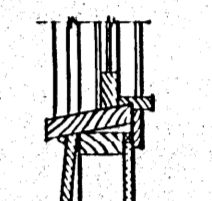
WALL DETAIL  
SCALE  $\frac{3}{4}'' = 1'-0''$



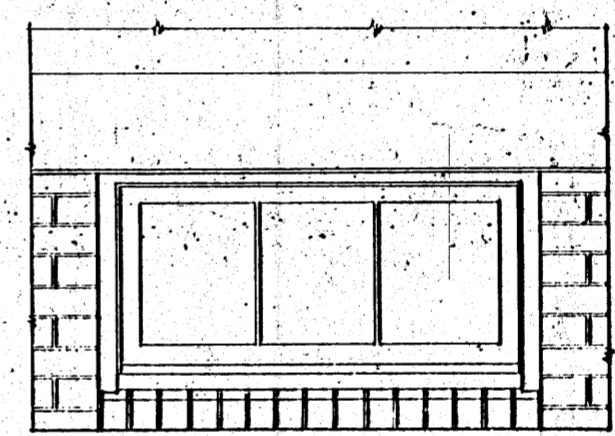
WINDOW HEAD



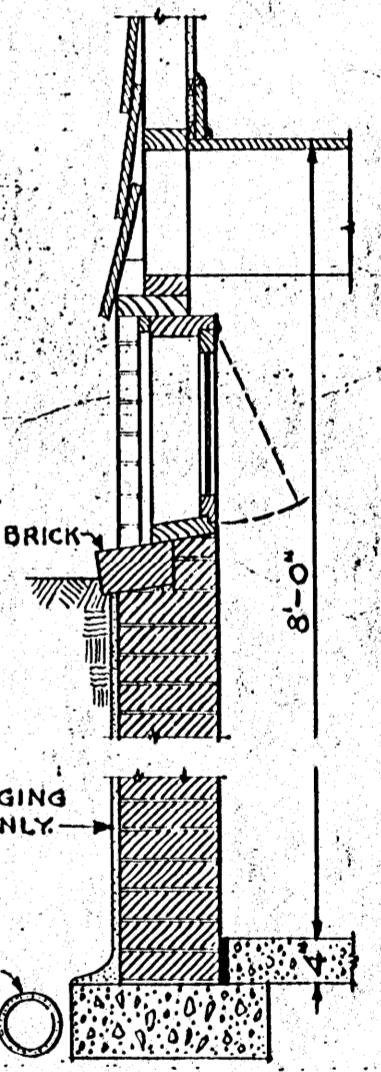
WINDOW JAMB



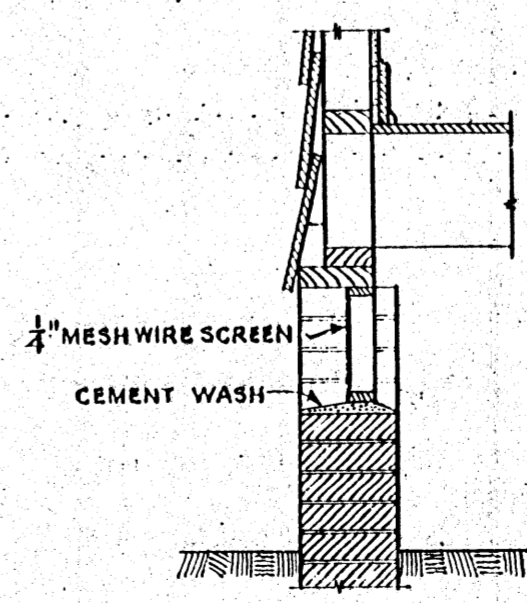
WINDOW SILL



ELEVATION  
CELLAR WINDOW



WALL DETAIL  
SCALE  $\frac{3}{4}'' = 1'-0''$



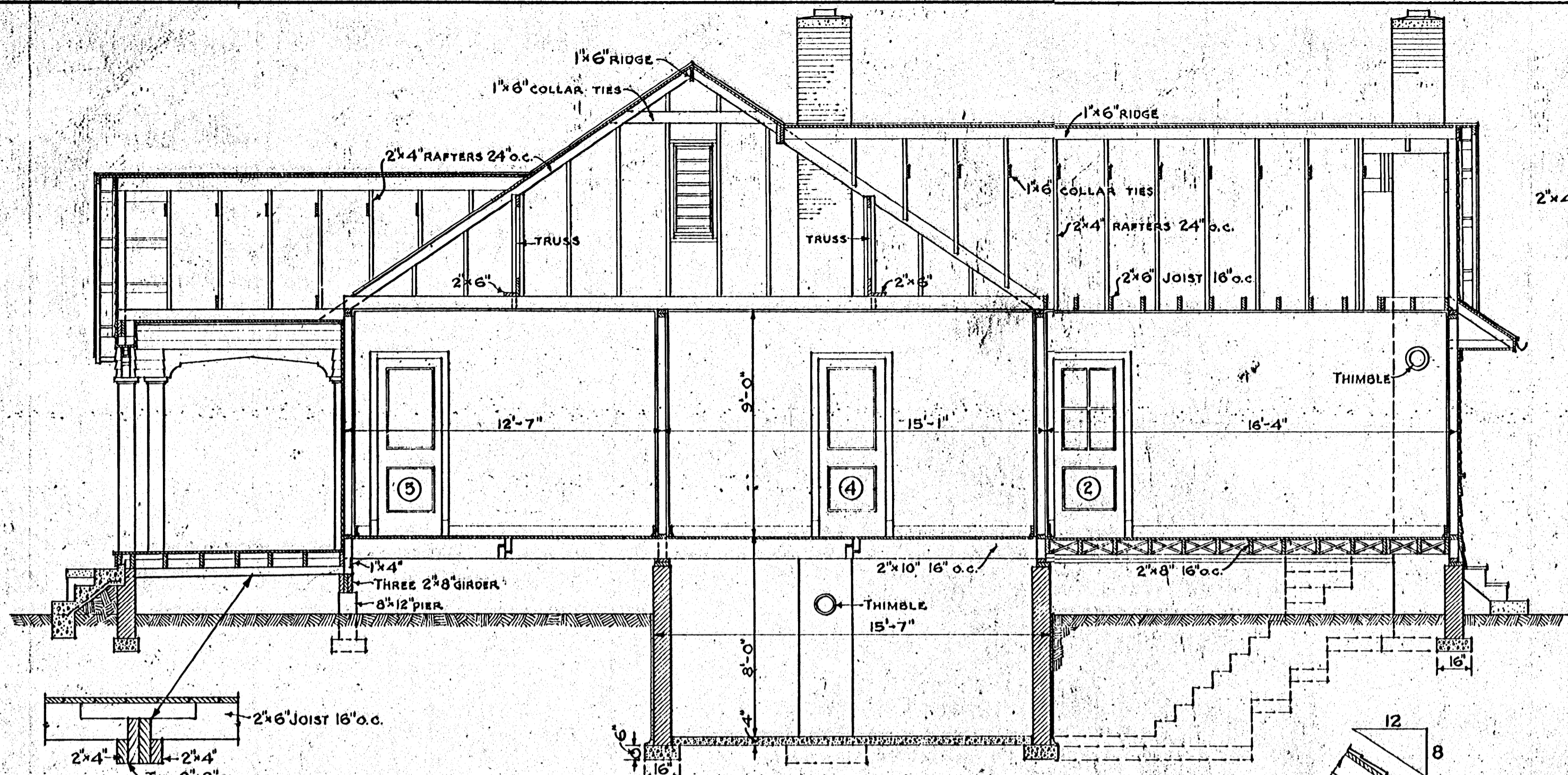
VENT DETAIL  
SCALE  $\frac{3}{4}'' = 1'-0''$

COOPERATIVE EXTENSION WORK IN  
AGRICULTURE AND HOME ECONOMICS

AND  
U. S. DEPT. OF AGRICULTURE COOPERATING

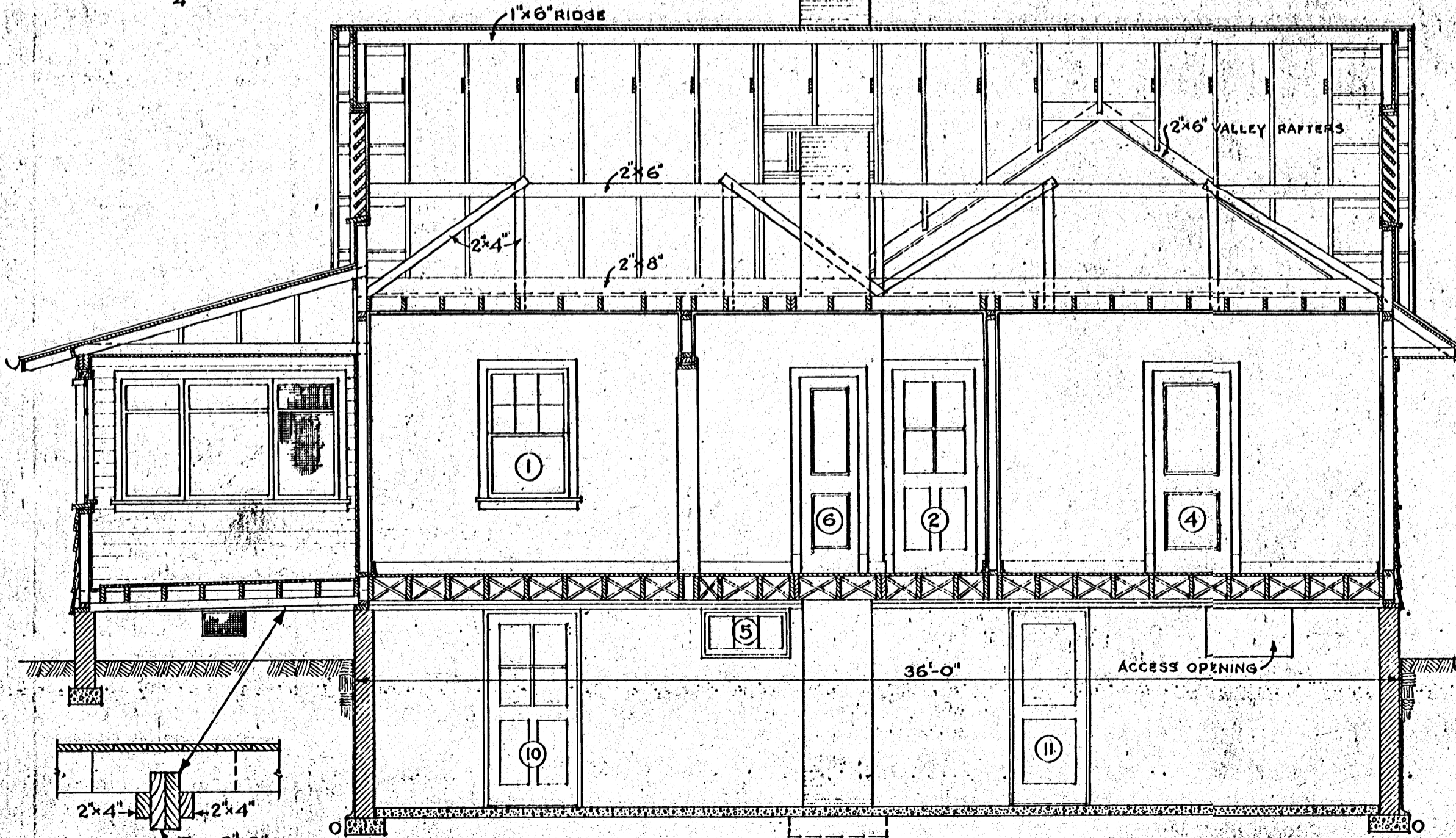
**FARMHOUSE**  
U.S.D.A. | Ex. 5054 | SHEET 2 OF 3

11-710-



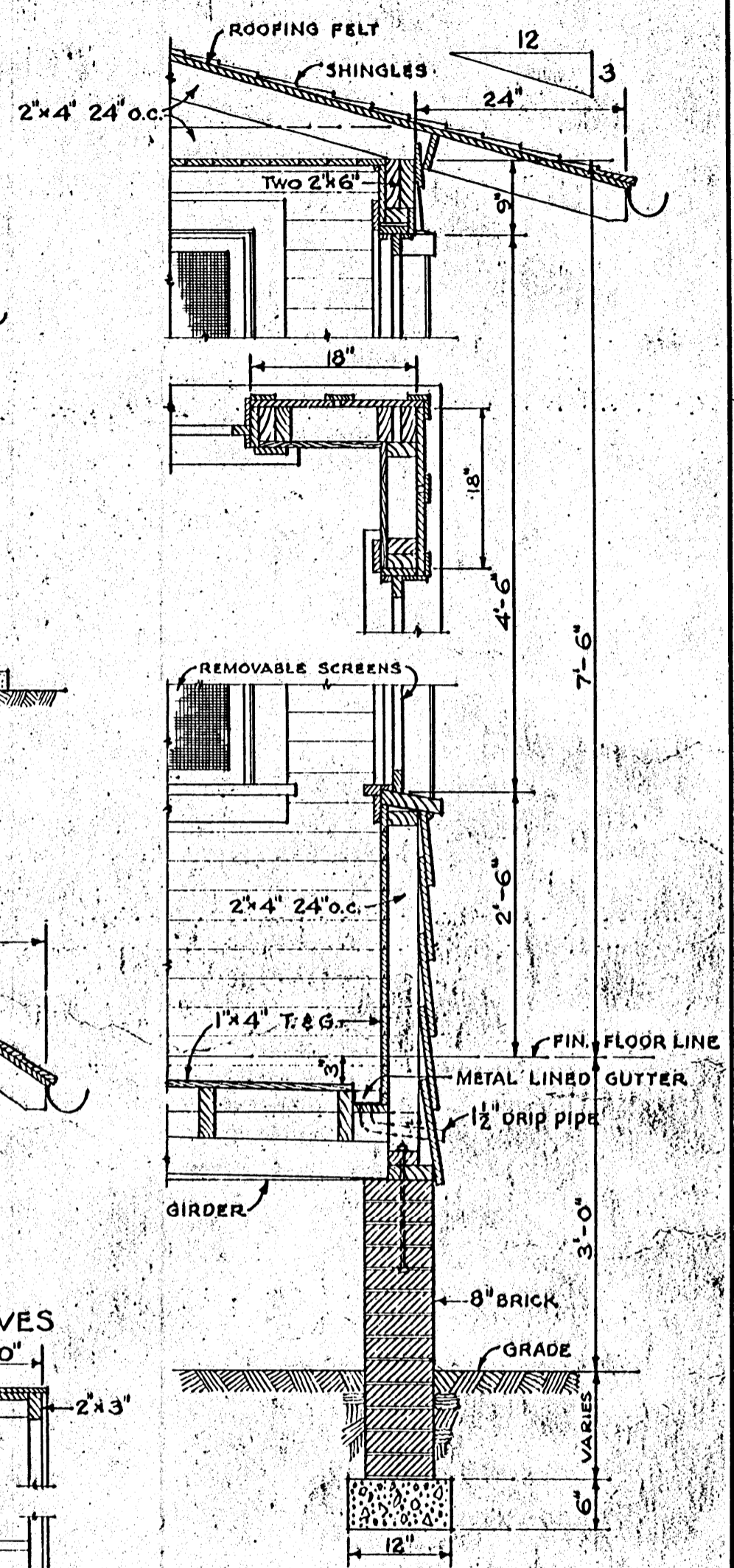
TRANSVERSE SECTION  
SCALE  $\frac{1}{4}$ " = 1'-0"

PORCH GIRDER  
SCALE  $\frac{3}{4}$ " = 1'-0"

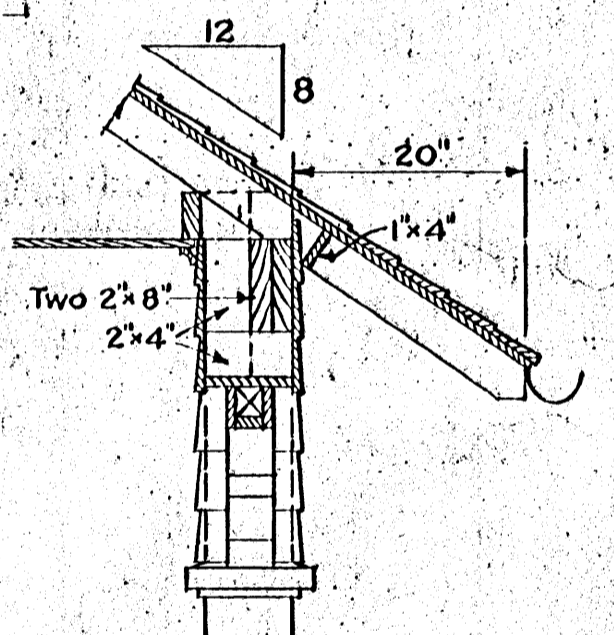


LONGITUDINAL SECTION  
SCALE  $\frac{1}{4}$ " = 1'-0"

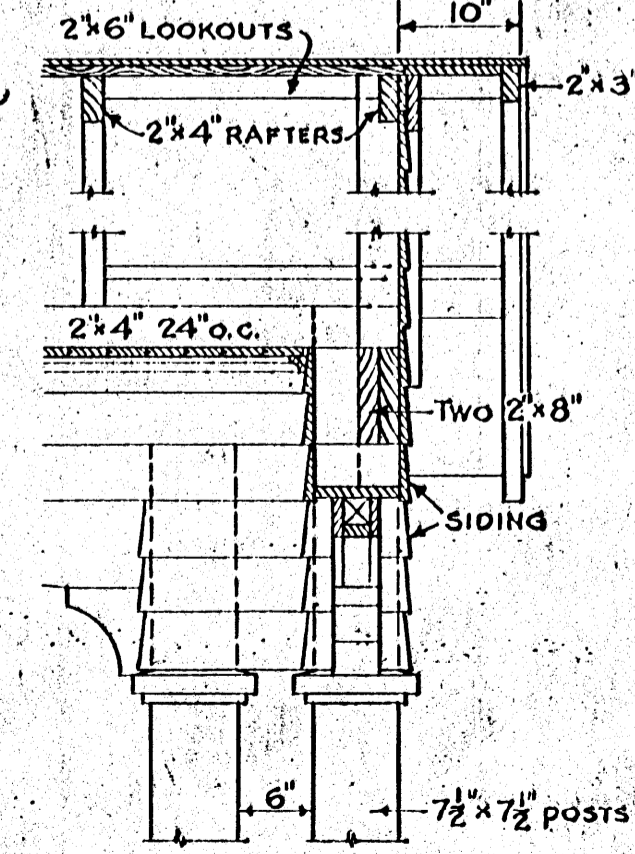
PORCH GIRDER  
SCALE  $\frac{3}{4}$ " = 1'-0"



SLEEPER PORCH DETAIL  
SCALE  $\frac{3}{4}$ " = 1'-0"



ENTRANCE PORCH EAVES



ENTRANCE PORCH GABLE  
SCALE  $\frac{3}{4}$ " = 1'-0"

COOPERATIVE EXTENSION WORK IN  
AGRICULTURE AND HOME ECONOMICS  
AND  
U. S. DEPT. OF AGRICULTURE COOPERATING  
**FARMHOUSE**  
U.S.D.A. | Ex. 5054 | SHEET 3 OF 3  
710 710  
3/21/32 55