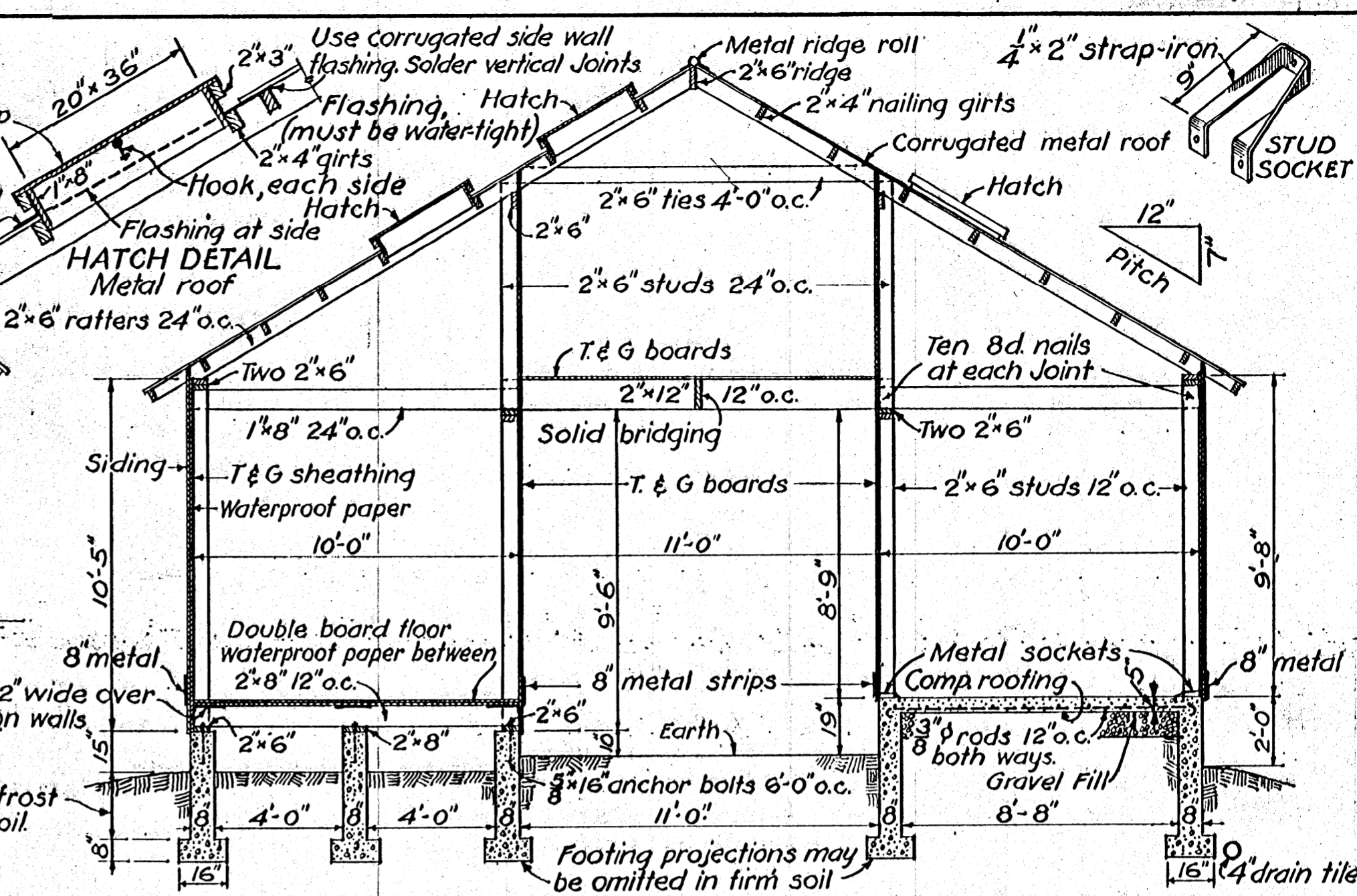


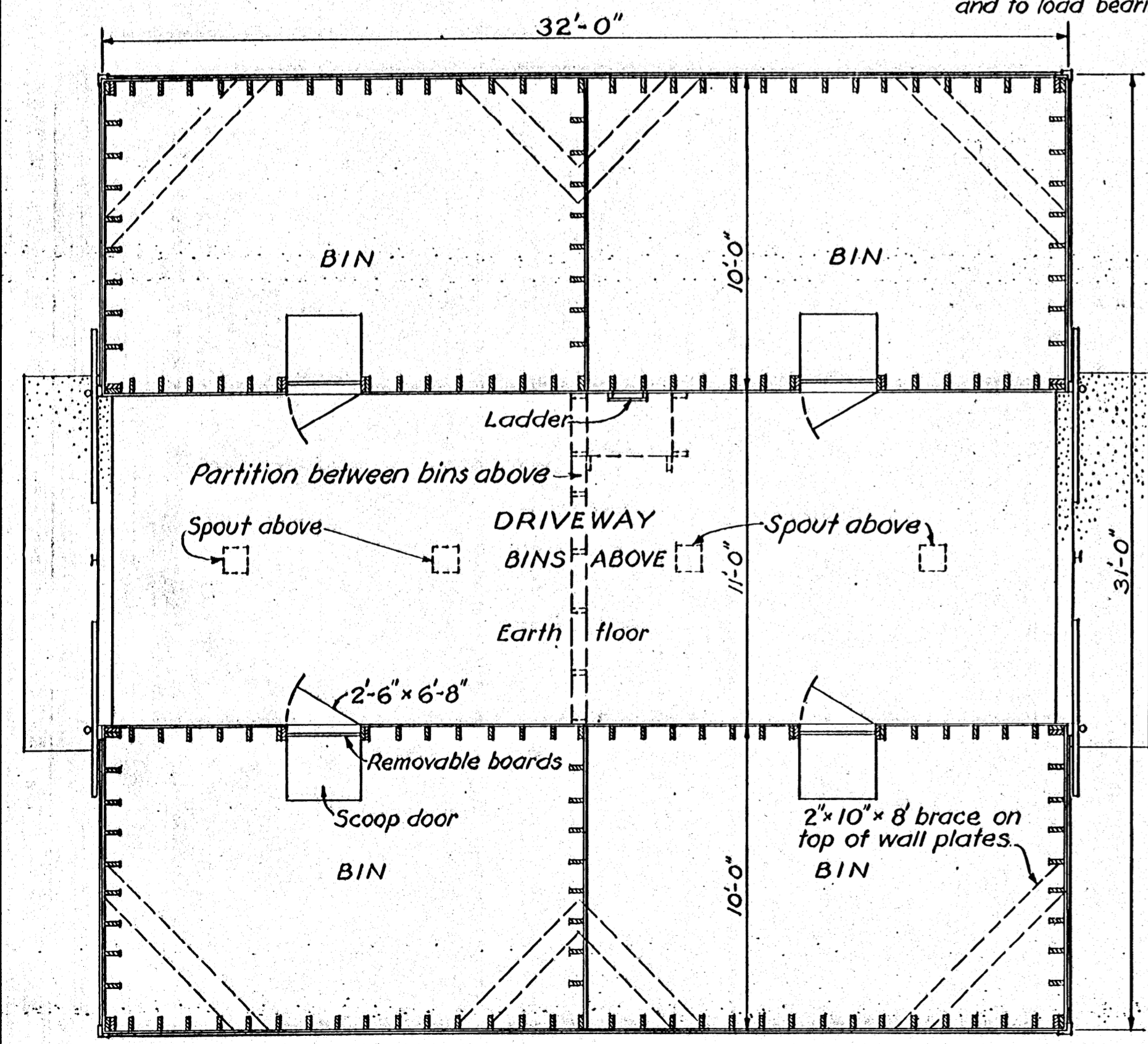
PERSPECTIVE



WOOD BIN FLOORS

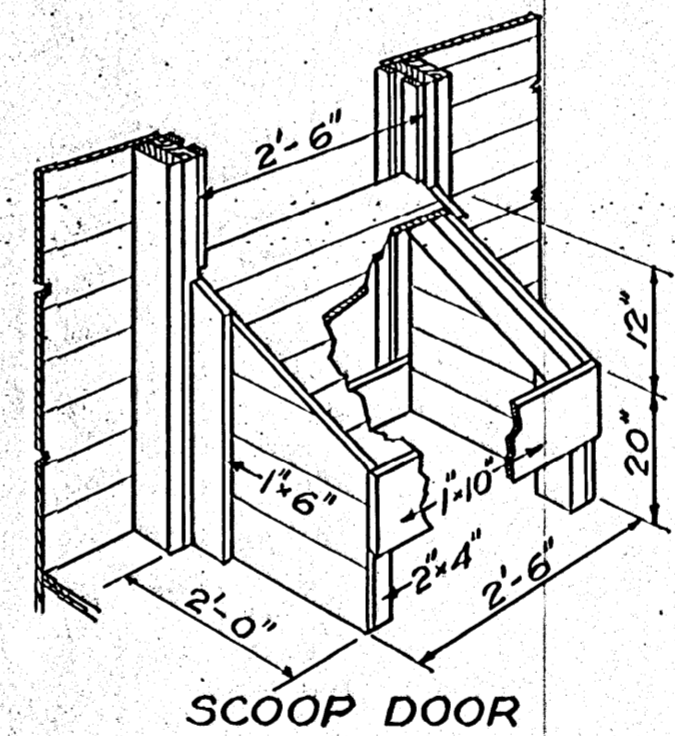
ALTERNATE BIN FLOOR

CROSS SECTION
Scale 1/4" = 1'-0"

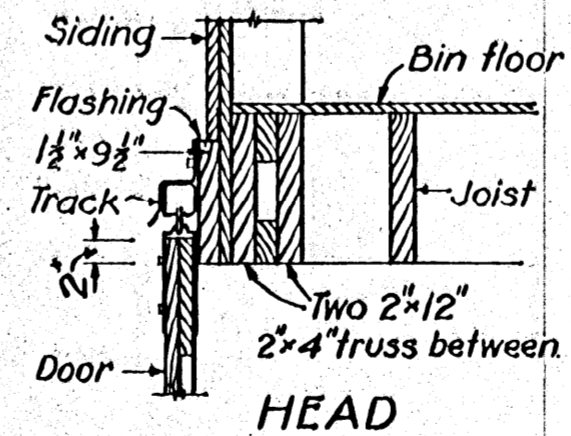


PLAN
Scale 1/4" = 1'-0"

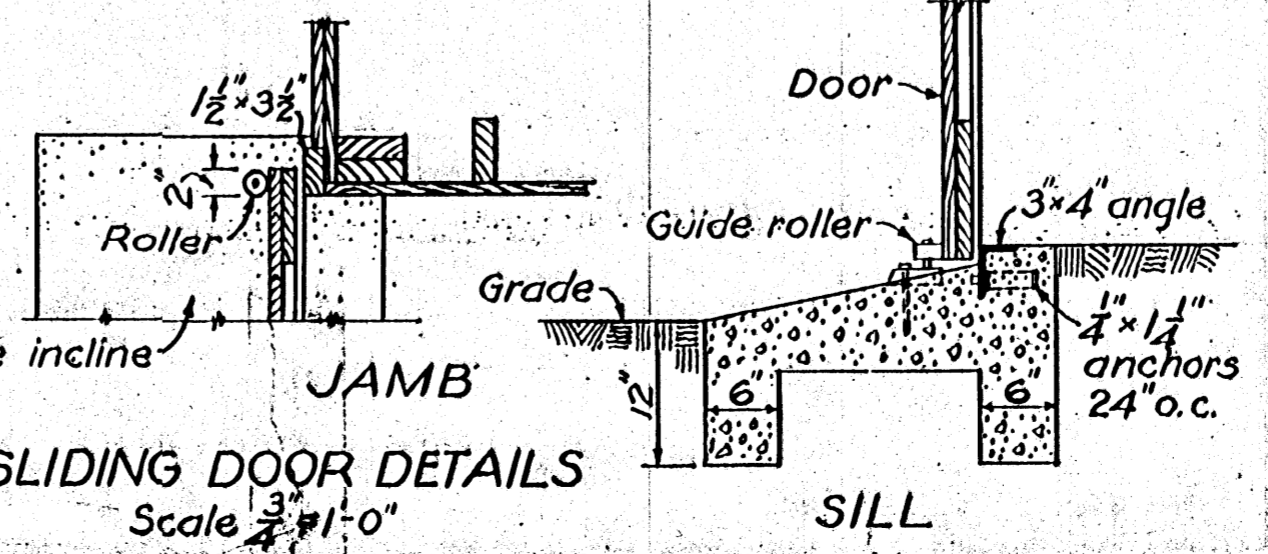
CAPACITY 6400 BUSHELS



SCOOP DOOR



HEAD



JAMB

SILL

SLIDING DOOR DETAILS
Scale 3/4" = 1'-0"

BILL OF MATERIALS

- CONCRETE (1:3:5) 114 bags cement, 12 cu. yds. sand, 20 cu. yds. gravel.
 - 36 - 2" x 12" x 12" joist, bridging, & sliding door lintels.
 - 4 - 2" x 8" x 16" sills.
 - 72 - 2" x 8" x 10' joist.
 - 32 - 2" x 6" x 16' sills, plates, studs.
 - 76 - 2" x 6" x 14' ratters, studs,
 - 20 - 2" x 6" x 12' ridge, ties, headers.
 - 200 - 2" x 6" x 10' plates, studs, ties.
 - 96 - 2" x 4" x 12' girts, blocking, etc.
 - 3400 ft. B.M. T & G flooring.
 - 2750 ft. B.M. T & G shiplap.
 - 1750 ft. B.M. drop siding.
 - 6 - 2" x 10" x 12' sliding door head casings. 2 - 2" x 10" x 16' braces.
 - 4 - 1" x 10" x 12' door battens.
 - 44 - 1" x 8" x 10' " " and ties
 - 20 - 1 1/8" x 3 1/2" x 12' trim.
 - 10 - 1" x 2" x 14' door stops.
 - 5 rolls waterproof paper.
 - 200 lin. ft. metal 8" wide.
 - 35 lin. ft. 28 ga. metal 30" wide, hatch covers and flashing.
 - 66 sheets 26 ga corrugated metal 10ft. lengths.
 - 34 lin. ft. metal ridge roll.
 - 2 - windows 4 lights 10" x 12" with frames and trim.
 - 2 - 3" x 4" x 4" angles 11' long.
 - 36 - 5/8" x 16" anchor bolts.
 - 200 lin. ft. metal 12" wide.
 - 90 lin. ft. hatch flashing.
- Paint, nails and door hardware not included.

COOPERATIVE EXTENSION WORK IN
AGRICULTURE AND HOME ECONOMICS
STATE OF MISSISSIPPI
MISSISSIPPI STATE UNIVERSITY
AND
UNITED STATES DEPARTMENT OF AGRICULTURE COOPERATING

GRANARY

USDA	EX. 5529	SHEET 1 OF 1
------	----------	--------------