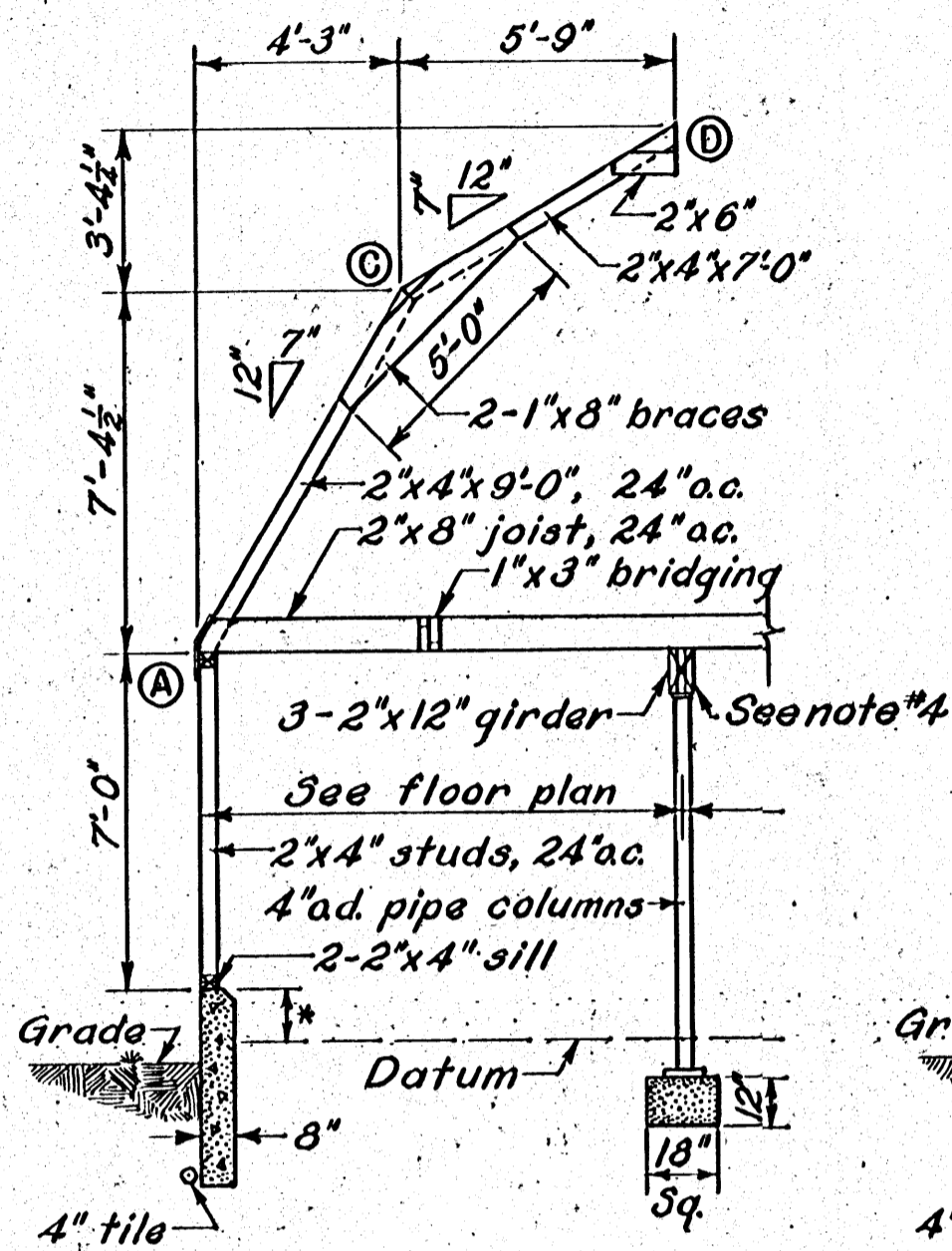


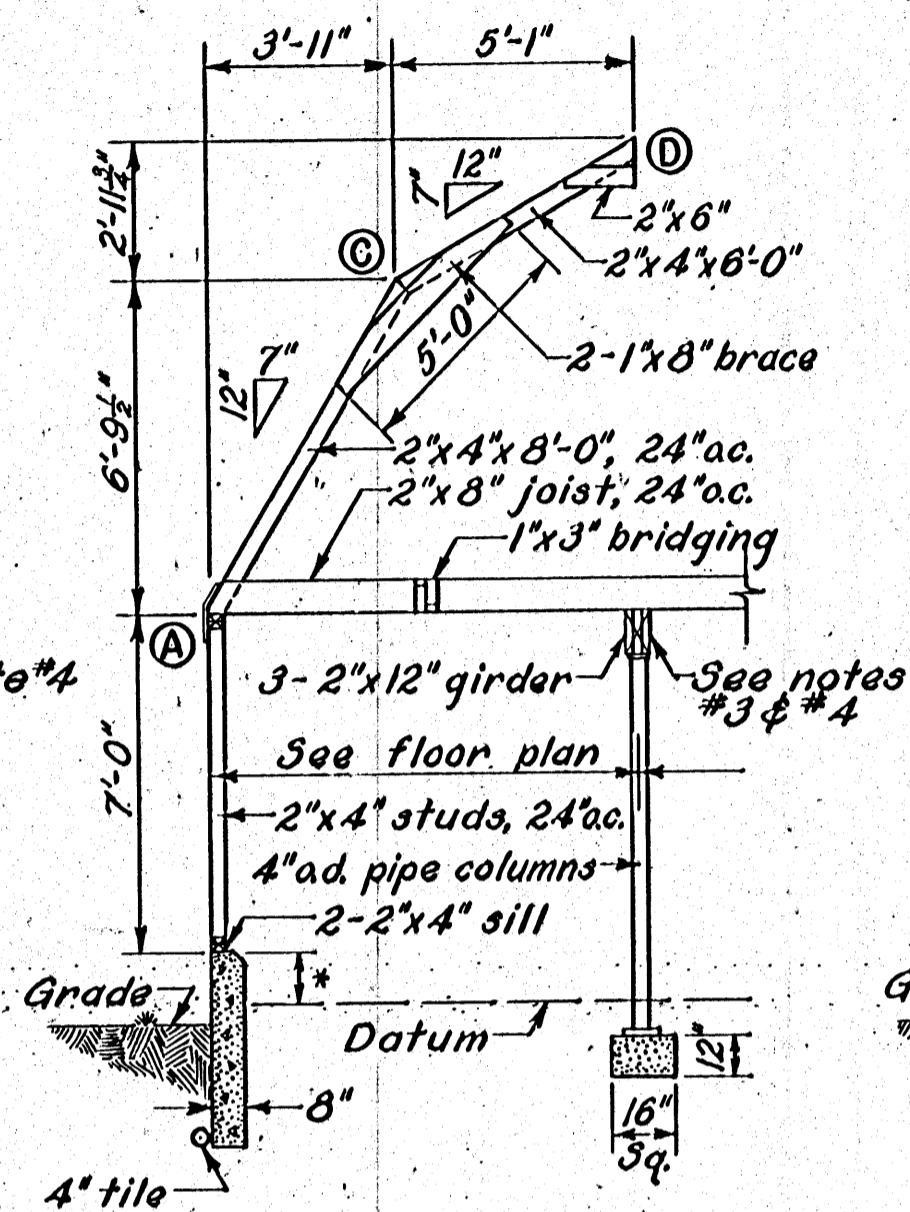
24'-0" BARN

LOOSE HAY - 0.31 TONS PER LIN. FT.
BALED HAY - MAXIMUM DEPTH 7 FT.



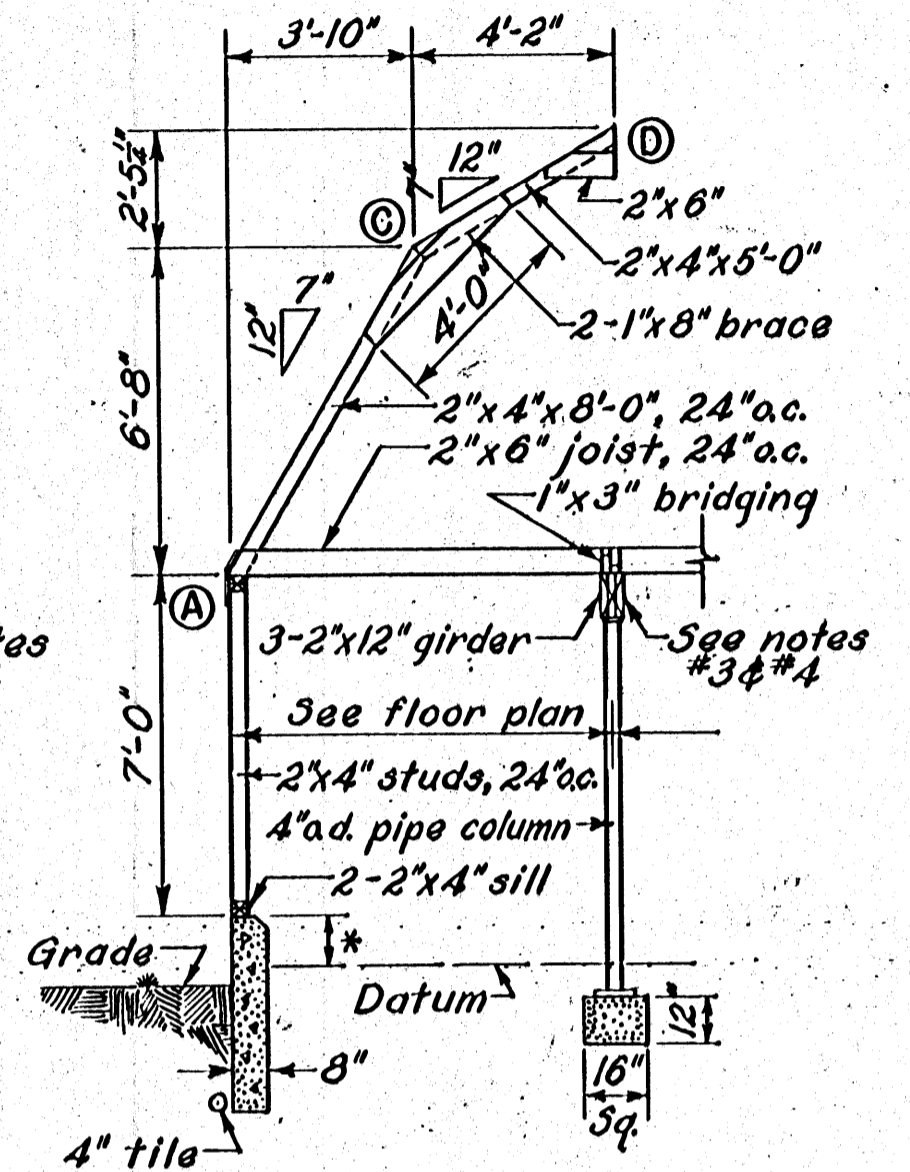
20'-0" BARN

LOOSE HAY - 0.22 TONS PER LIN. FT.
BALED HAY - MAXIMUM DEPTH 6 FT.



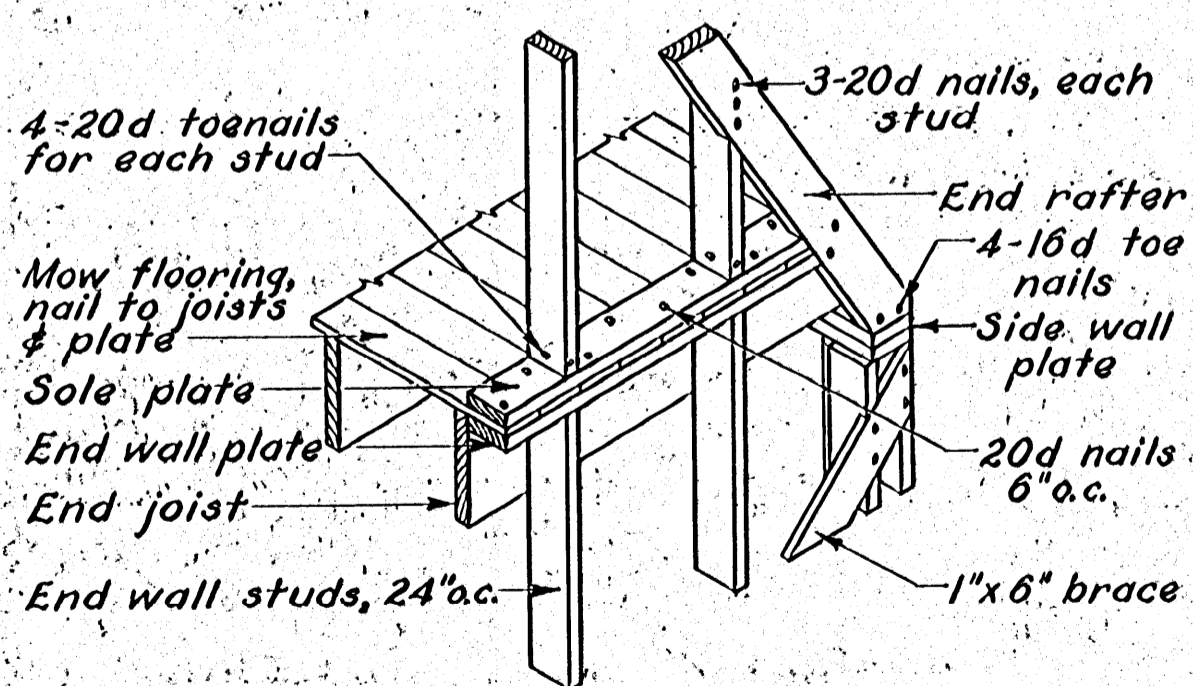
18'-0" BARN

LOOSE HAY - 0.16 TONS PER LIN. FT.
BALED HAY - MAXIMUM DEPTH 5 FT.

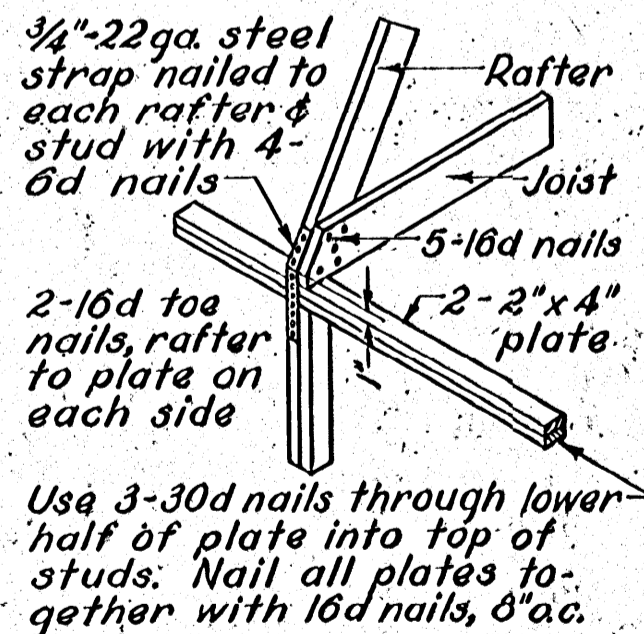


16'-0" BARN

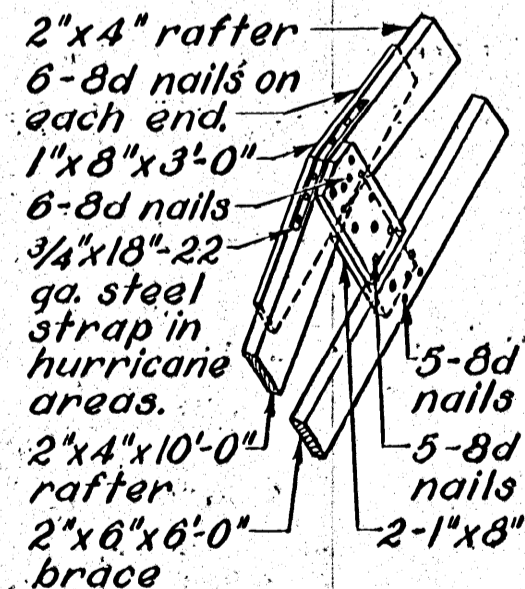
LOOSE HAY - 0.12 TONS PER LIN. FT.
BALED HAY - MAXIMUM DEPTH 5 FT.



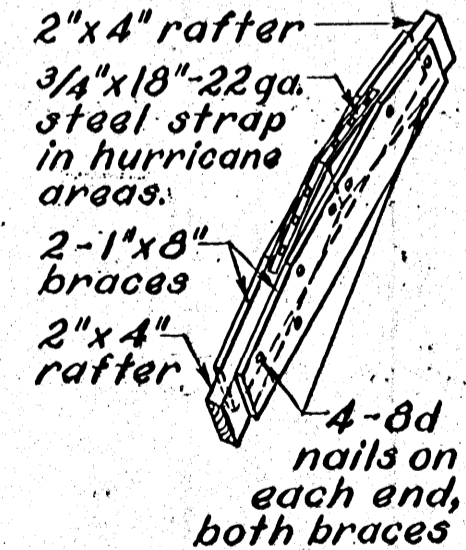
TYPICAL FRAMING FOR END WALLS



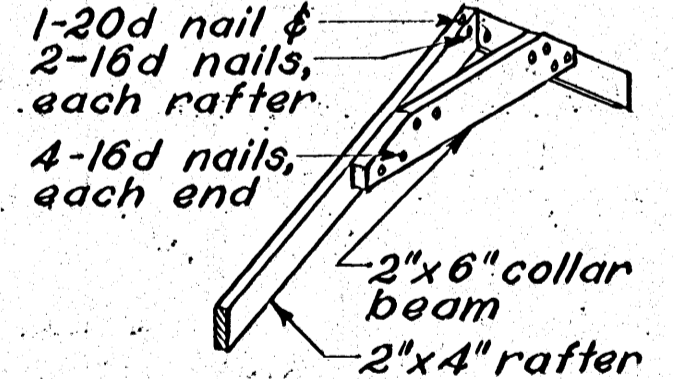
DETAIL A



DETAIL B



DETAIL C



DETAIL D

- NOTES: 1. *Variable dimension, see foundation detail (dwg. 5661).
2. Use 3-2"x12" girders if columns are spaced 11'-0" or less apart.
3. Use 3-2"x10" girders if columns are spaced 10'-6" or less apart.
4. Column spacing not to exceed 12'-0"

5. Where center girder is omitted, use 2"x12" joists spaced 24" a.c. for 16'-0" barn; & 2"x10" joists spaced 12" a.c. for 18'-0" barn.

6. Wall foundations to extend below frost to solid ground. Carry column footings to solid ground.

COOPERATIVE EXTENSION WORK IN AGRICULTURE AND HOME ECONOMICS		
STATE OF MISSISSIPPI		
MISSISSIPPI STATE UNIVERSITY		
AND		
UNITED STATES DEPARTMENT OF AGRICULTURE COOPERATING		
BRACED RAFTER FRAMING		
SPANS 16 FEET TO 24 FEET		
USDA '49	EX. 5625	SHEET 1 OF 1