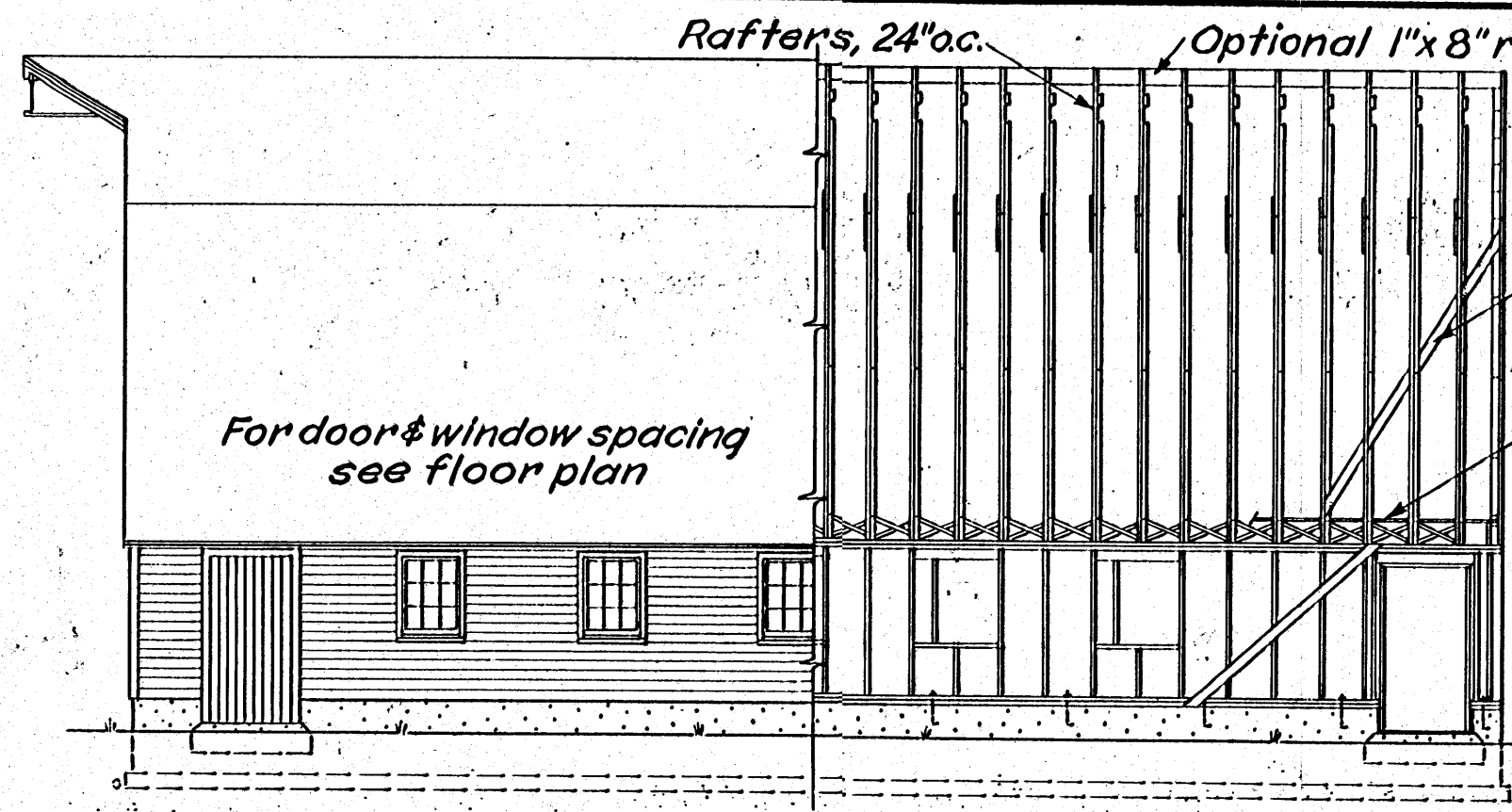
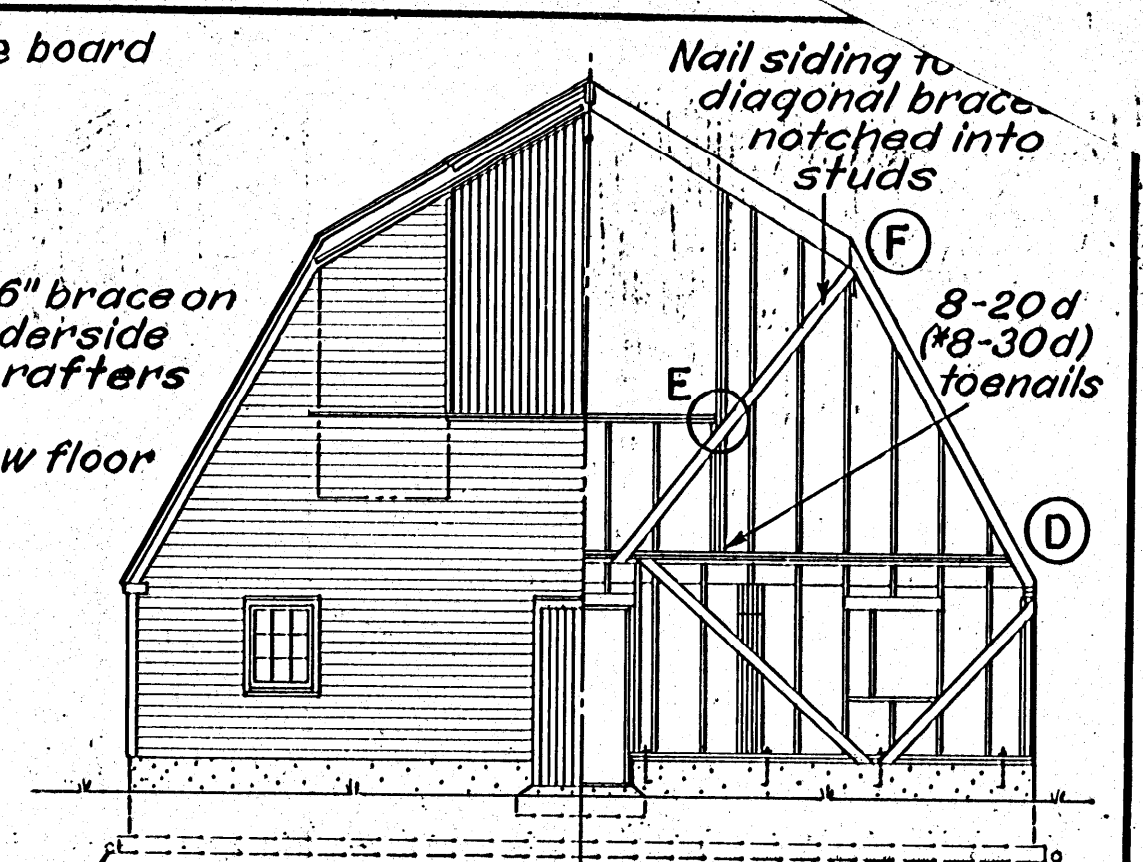


1/2 END FRAMING FACE-OUT BARN

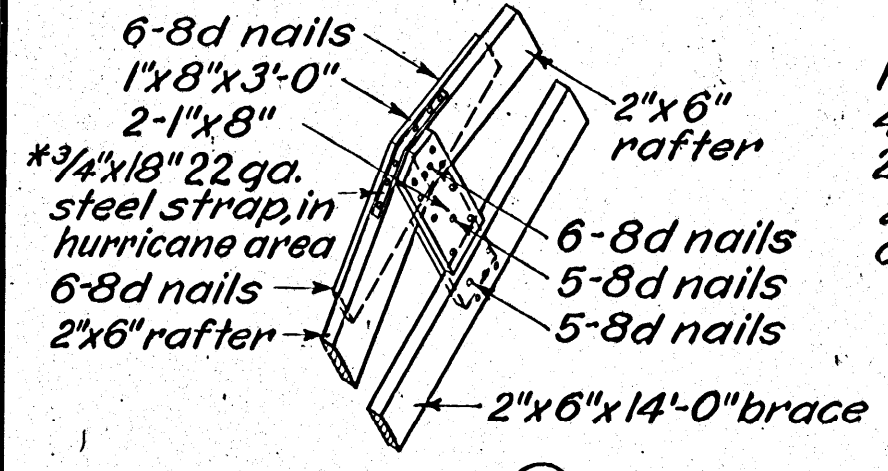


PART SIDE ELEVATION PART SIDE FRAMING

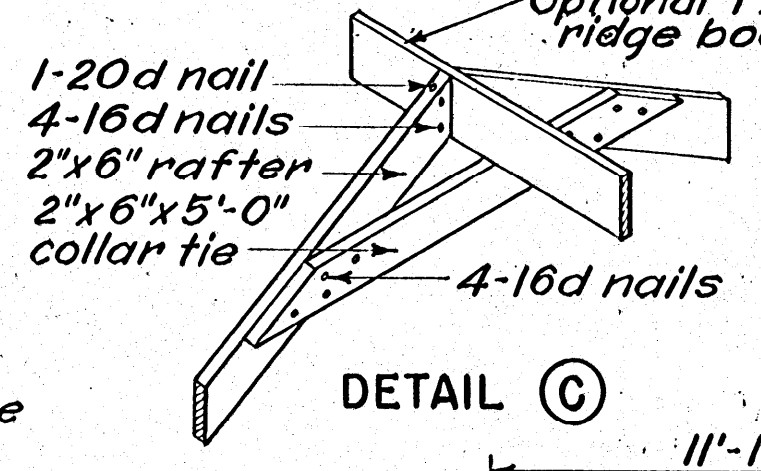
Scale: 1/8" = 1'-0"



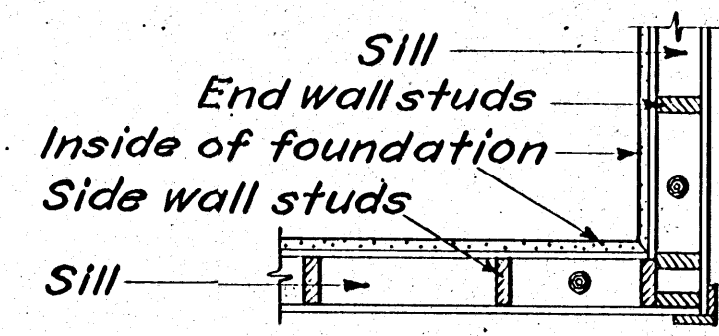
1/2 END ELEVATION FACE-IN BARN 1/2 END FRAMING FACE-IN BARN



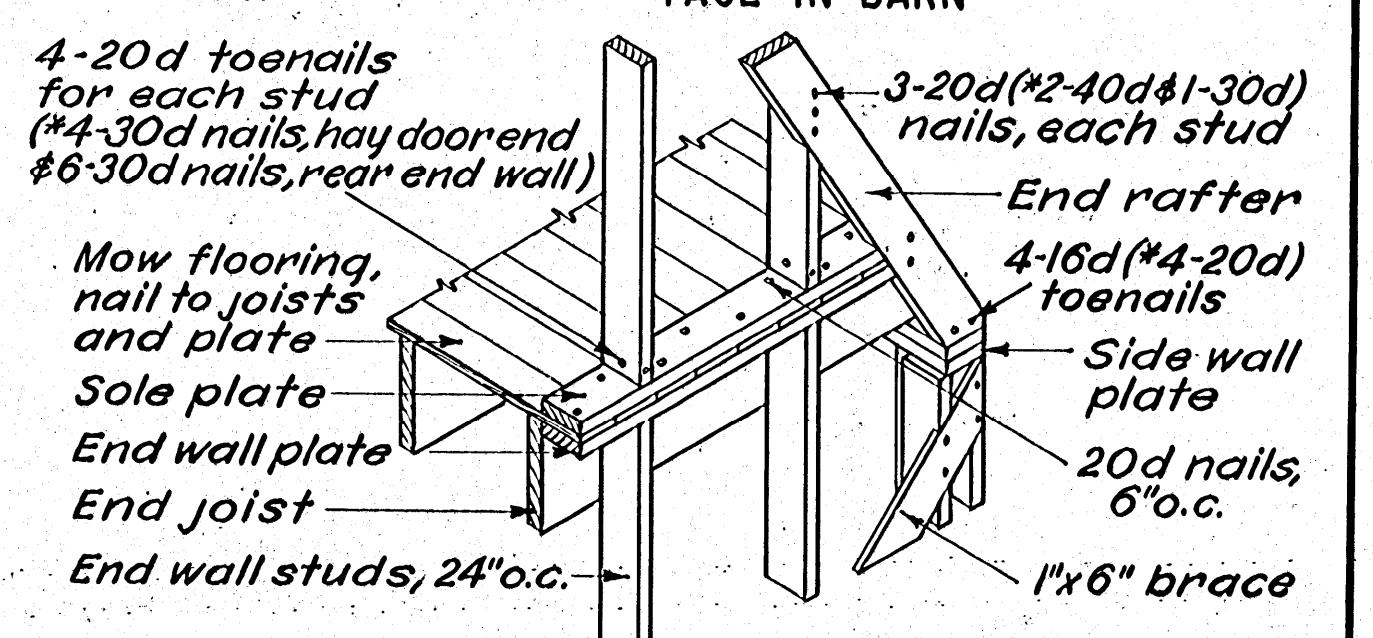
DETAIL (B)



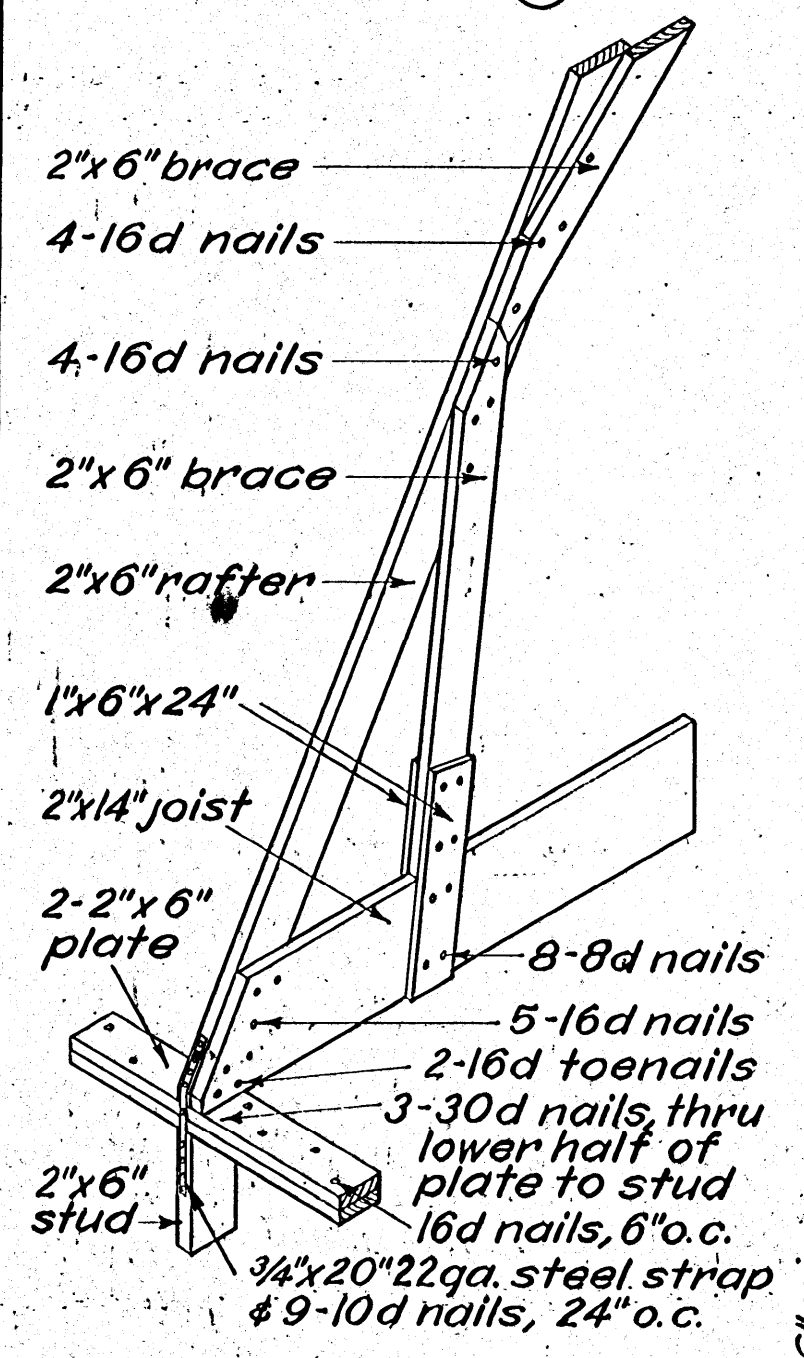
DETAIL (C)



CORNER DETAIL-PLAN VIEW

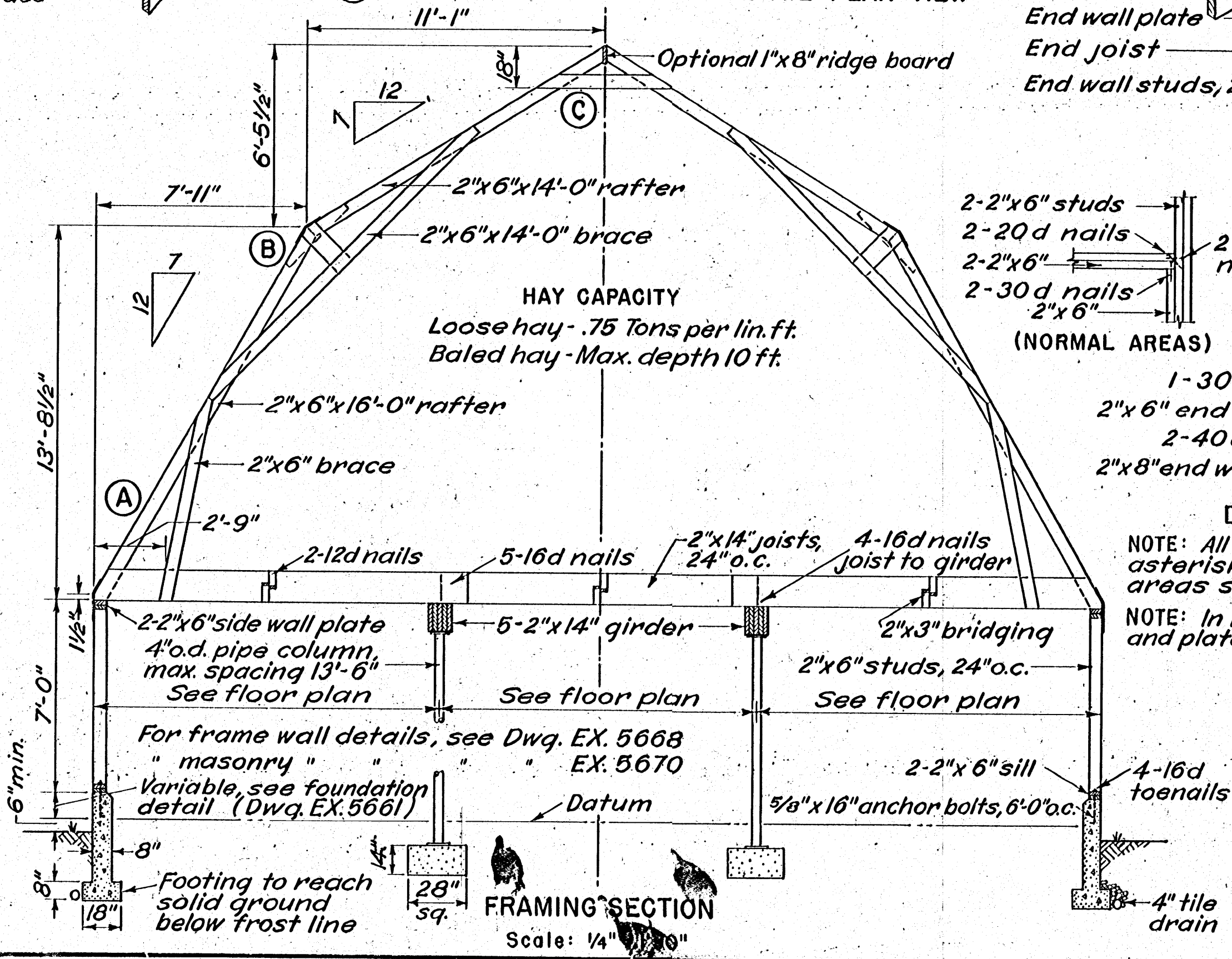


DETAIL (D)

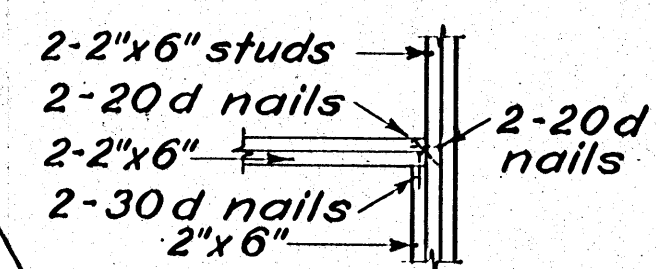


DETAIL (A)

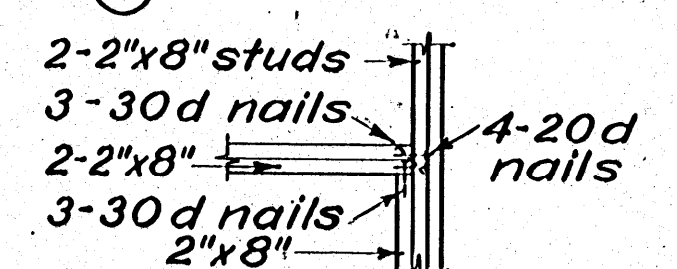
Scale: 1/2" = 1'-0" (All details)



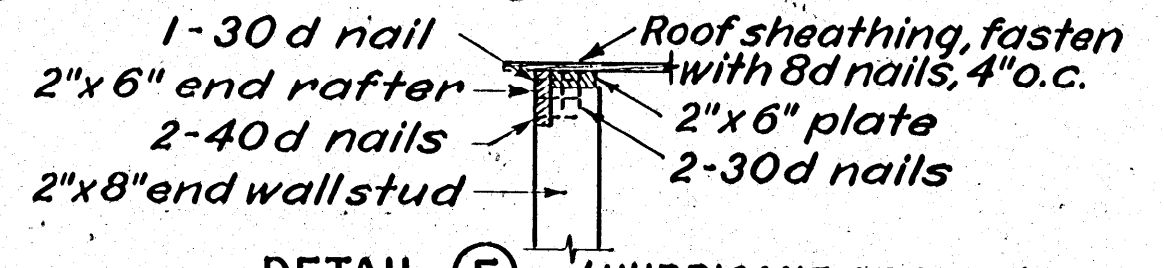
FRAMING SECTION Scale: 1/4" = 1'-0" (All details)



(NORMAL AREAS) DETAIL (E)



(HURRICANE AREAS *) DETAIL (E)



DETAIL (F) (HURRICANE AREAS *)

NOTE: All details and nailing marked with an asterisk (*) are recommended for use in areas subject to hurricanes.

NOTE: In hurricane areas, 2"x8" sills, studs and plates shall be used for end wall framing.

COOPERATIVE EXTENSION WORK IN AGRICULTURE AND HOME ECONOMICS
STATE OF MISSISSIPPI
MISSISSIPPI STATE UNIVERSITY
AND
UNITED STATES DEPARTMENT OF AGRICULTURE COOPERATING

1 1/2 STORY BRACED RAFTER BARN FRAMING
38 FOOT WIDTH

USDA 49	EX. 5664	SHEET 1 OF 1
---------	----------	--------------