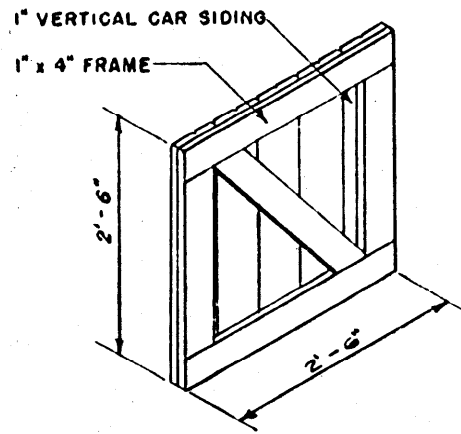
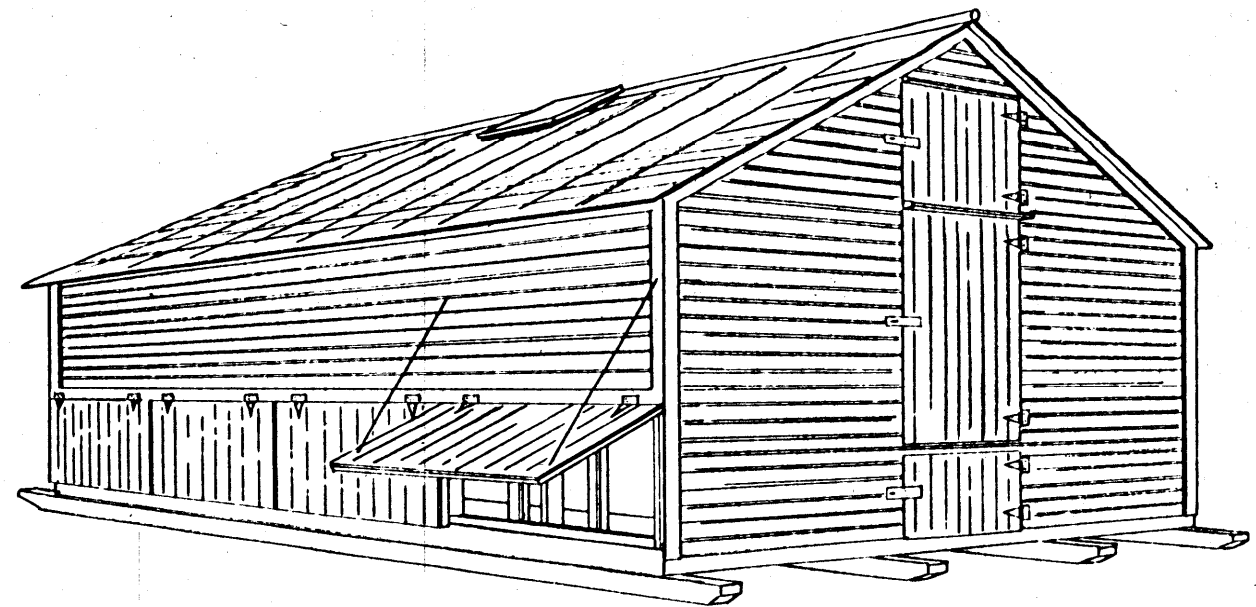


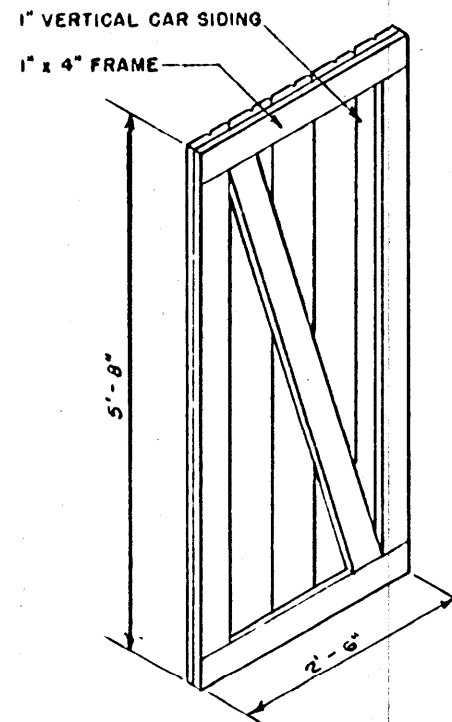
SIDE DOOR
NOT TO SCALE



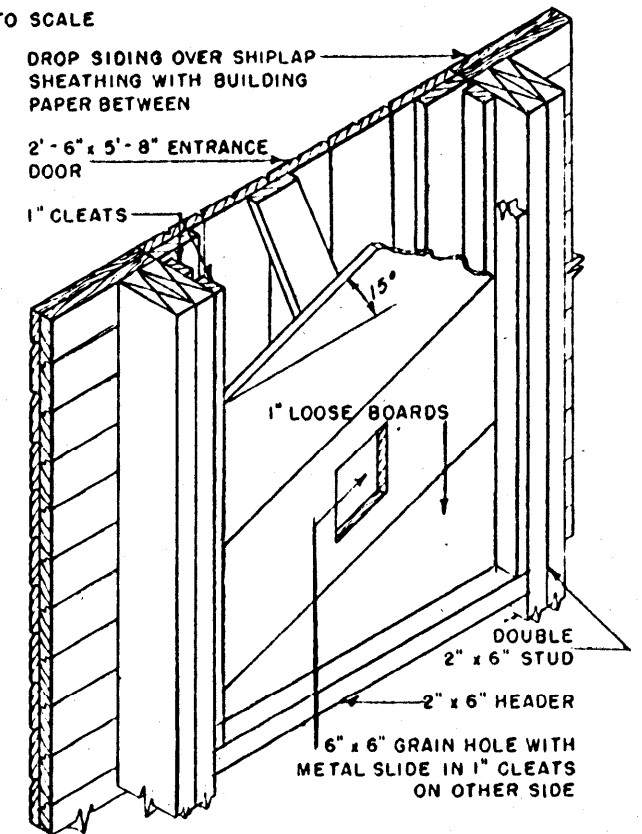
FILLING DOOR
NOT TO SCALE



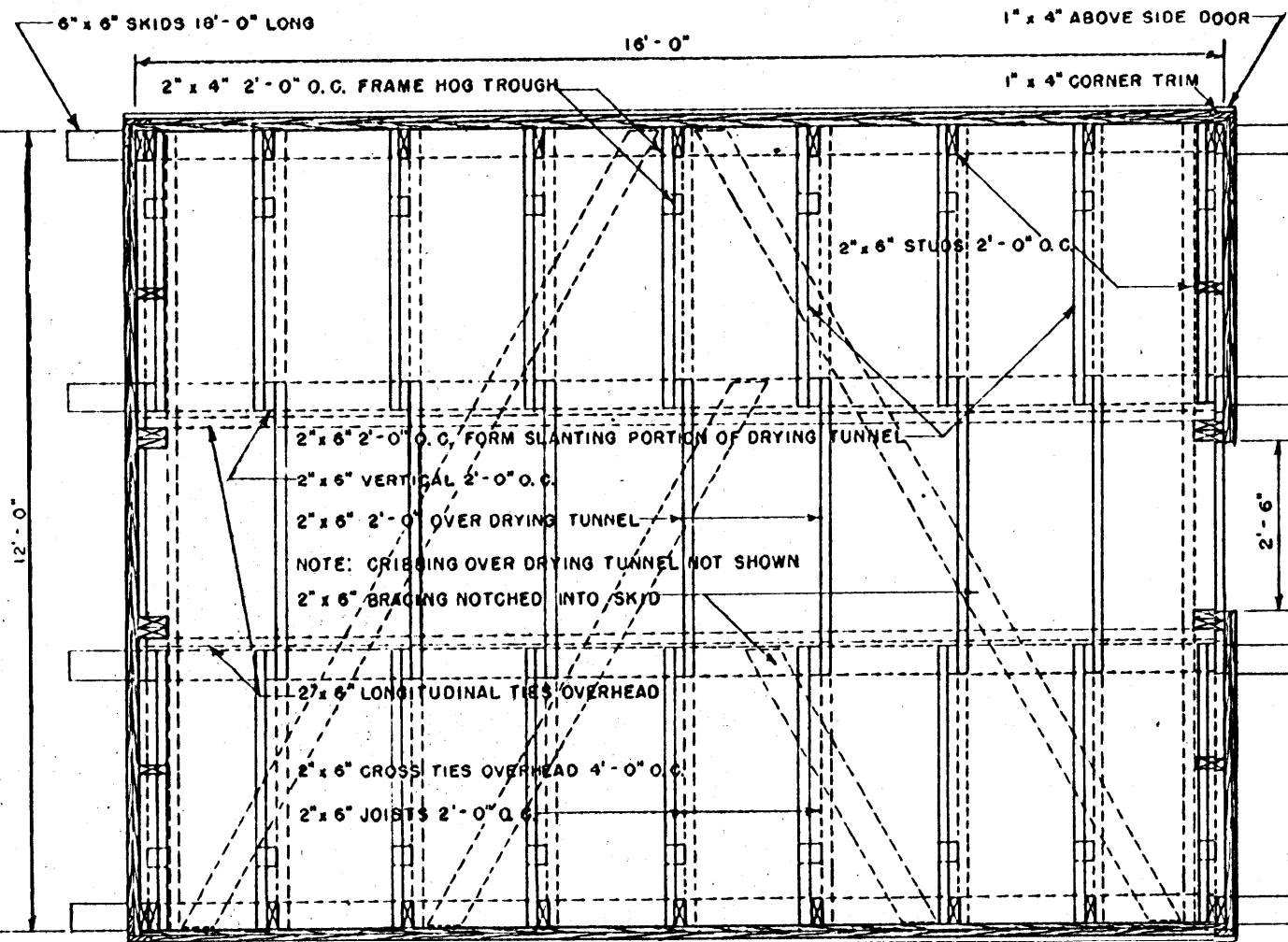
PERSPECTIVE
NOT TO SCALE



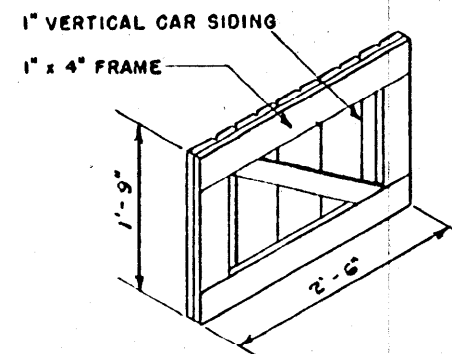
ENTRANCE DOOR
NOT TO SCALE



DETAIL AT DOOR
NOT TO SCALE



PLAN
SCALE - $\frac{3}{8} = 1'-0"$



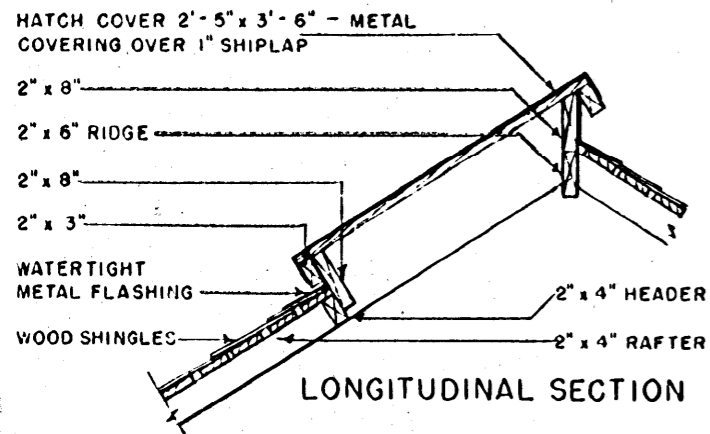
TUNNEL DOOR
NOT TO SCALE

COOPERATIVE EXTENSION WORK IN
AGRICULTURE AND HOME ECONOMICS

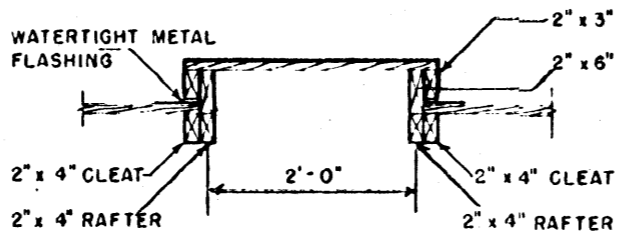
AND
UNITED STATES DEPARTMENT OF AGRICULTURE COOPERATING

MOVABLE HOG FEEDER, STORAGE
& DRIER, GRAIN & EAR CORN

M.W. EX. 5725 SHEET 1 OF 2



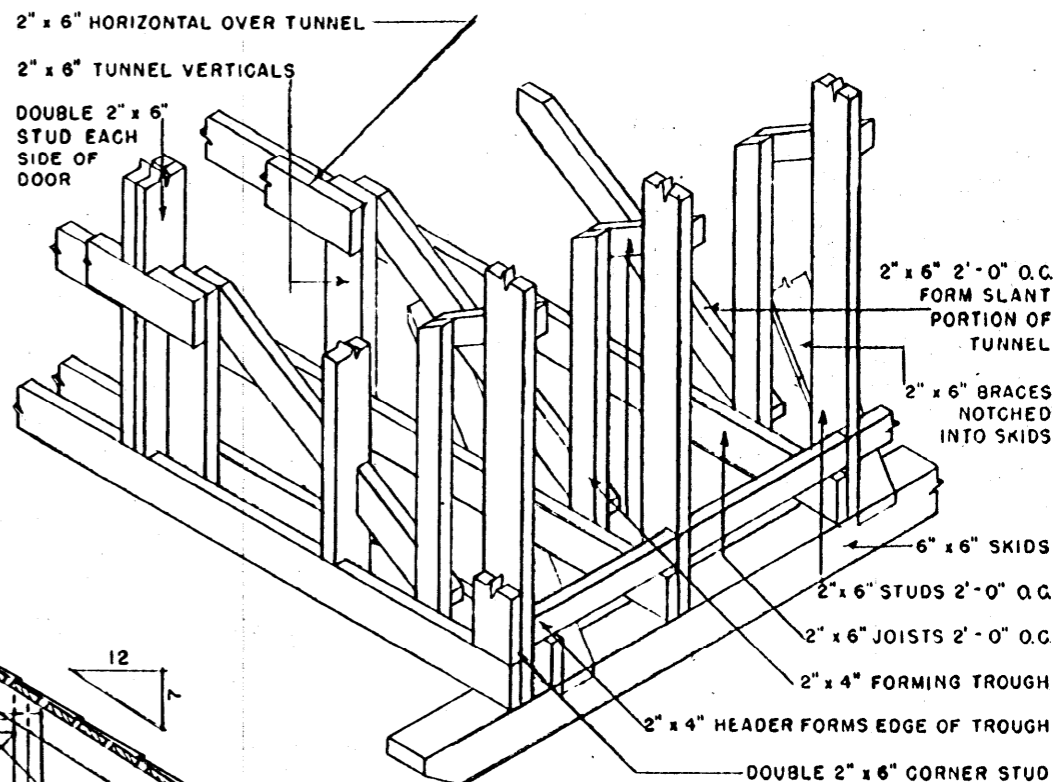
LONGITUDINAL SECTION



CROSS SECTION

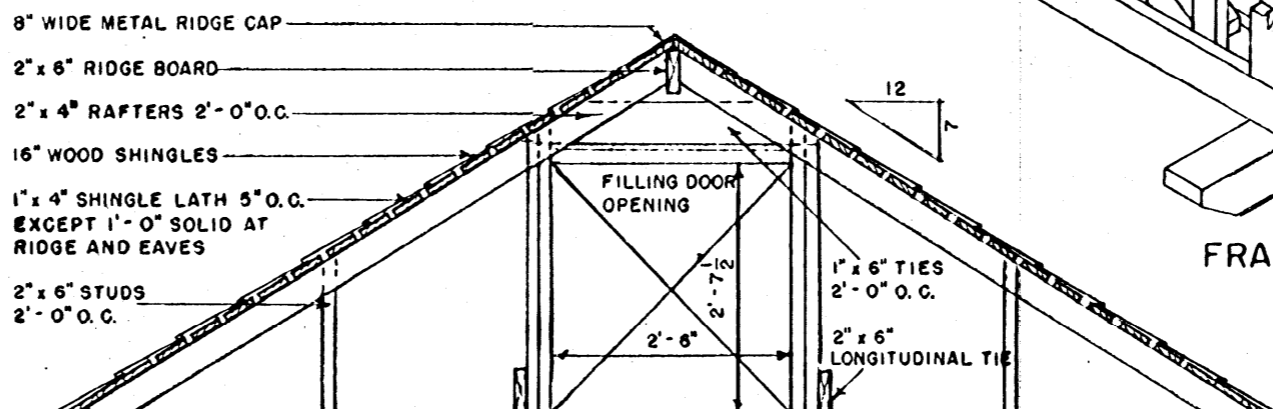
HATCH DETAILS

SCALE - 1/2" = 1'-0"

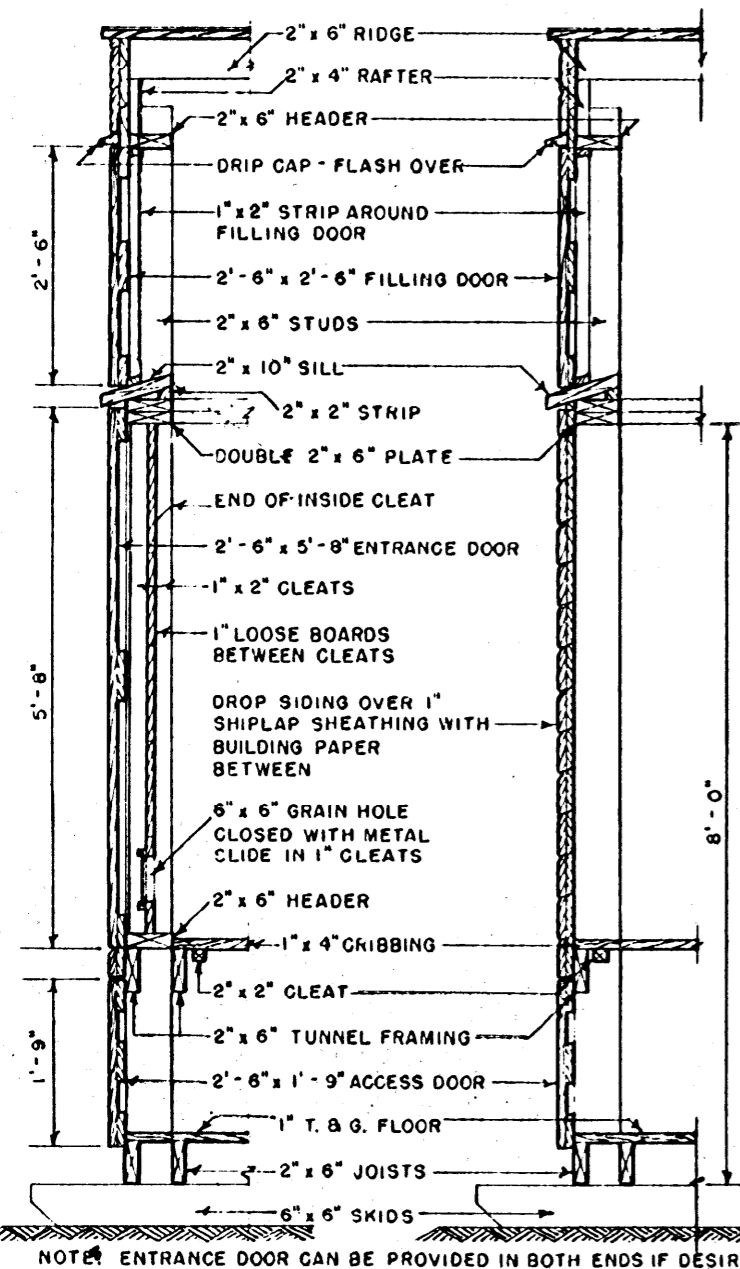


FRAMING DETAIL

NOT TO SCALE

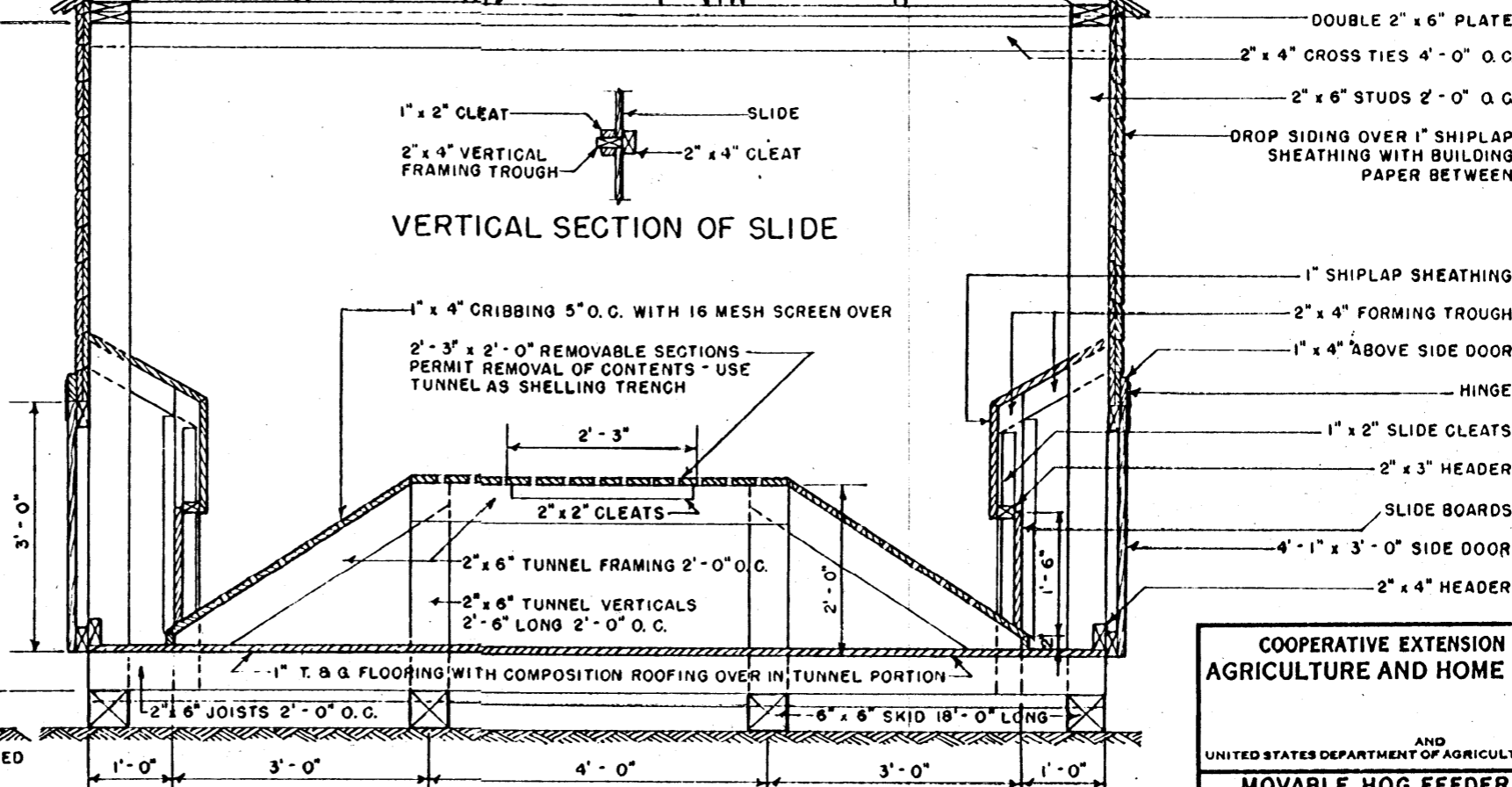


VERTICAL SECTION OF SLIDE



SECTIONS THROUGH ENDS

SCALE - 1/2" = 1'-0"



CROSS SECTION

SCALE - 1/2" = 1'-0"

COOPERATIVE EXTENSION WORK IN AGRICULTURE AND HOME ECONOMICS

AND UNITED STATES DEPARTMENT OF AGRICULTURE COOPERATING

MOVABLE HOG FEEDER, STORAGE & DRIER, GRAIN & EAR CORN

M.W. EX. 5725 SHEET 2 OF 2