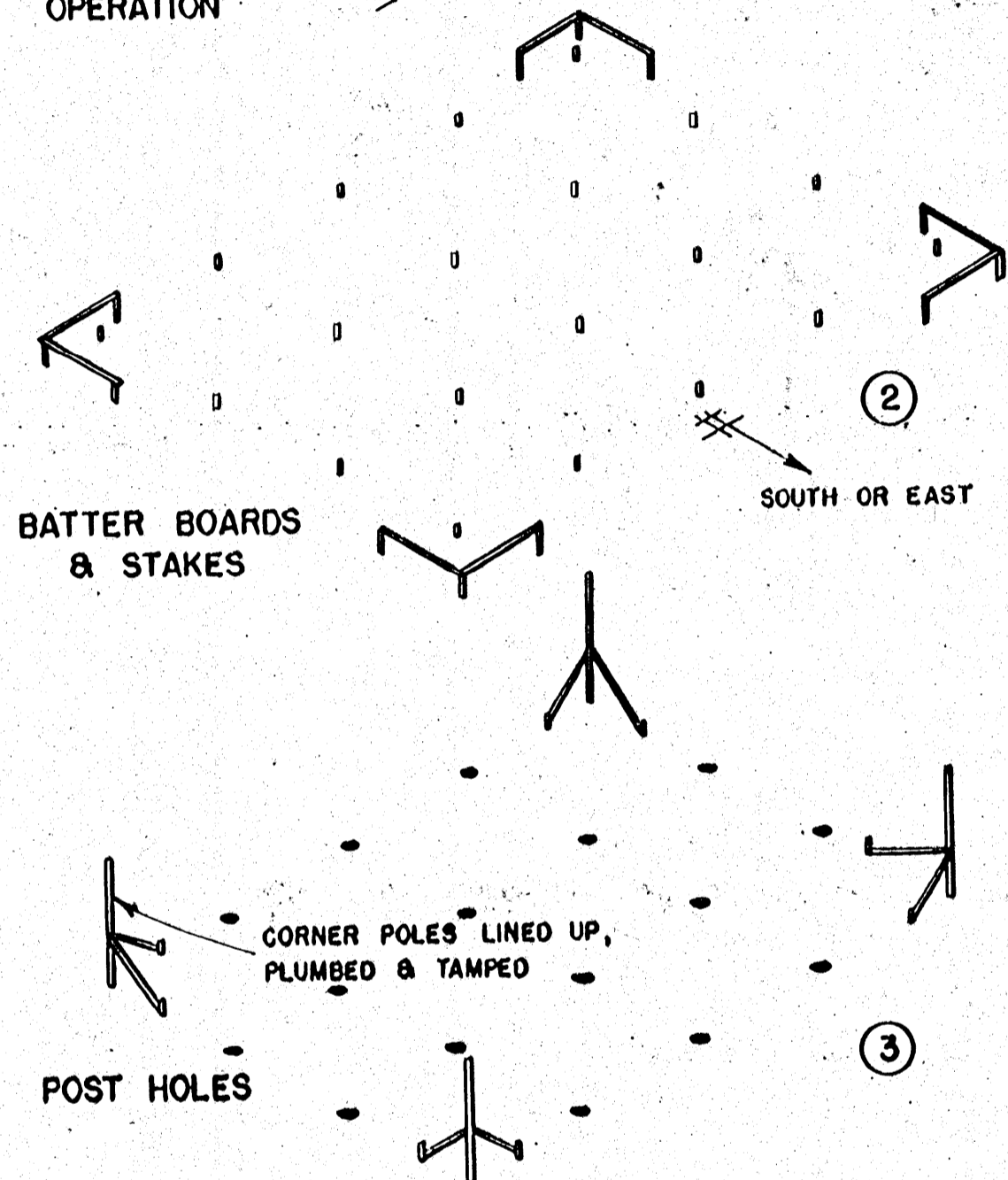


PLAN TO SUIT OPERATION



BATTER BOARDS & STAKES

②

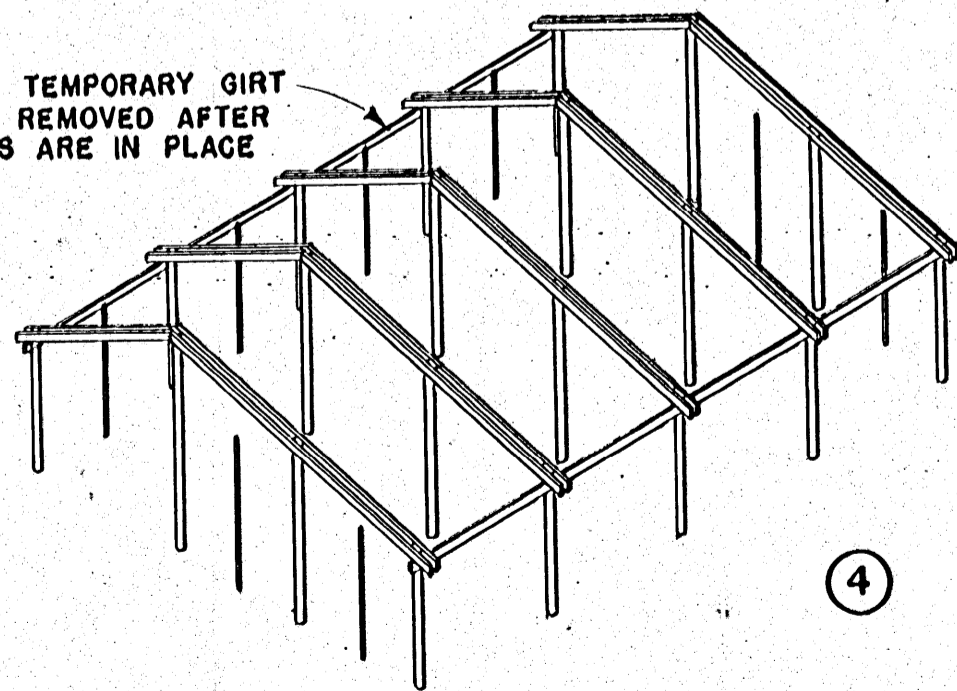
SOUTH OR EAST

POST HOLES

CORNER POLES LINED UP, PLUMBED & TAMPED

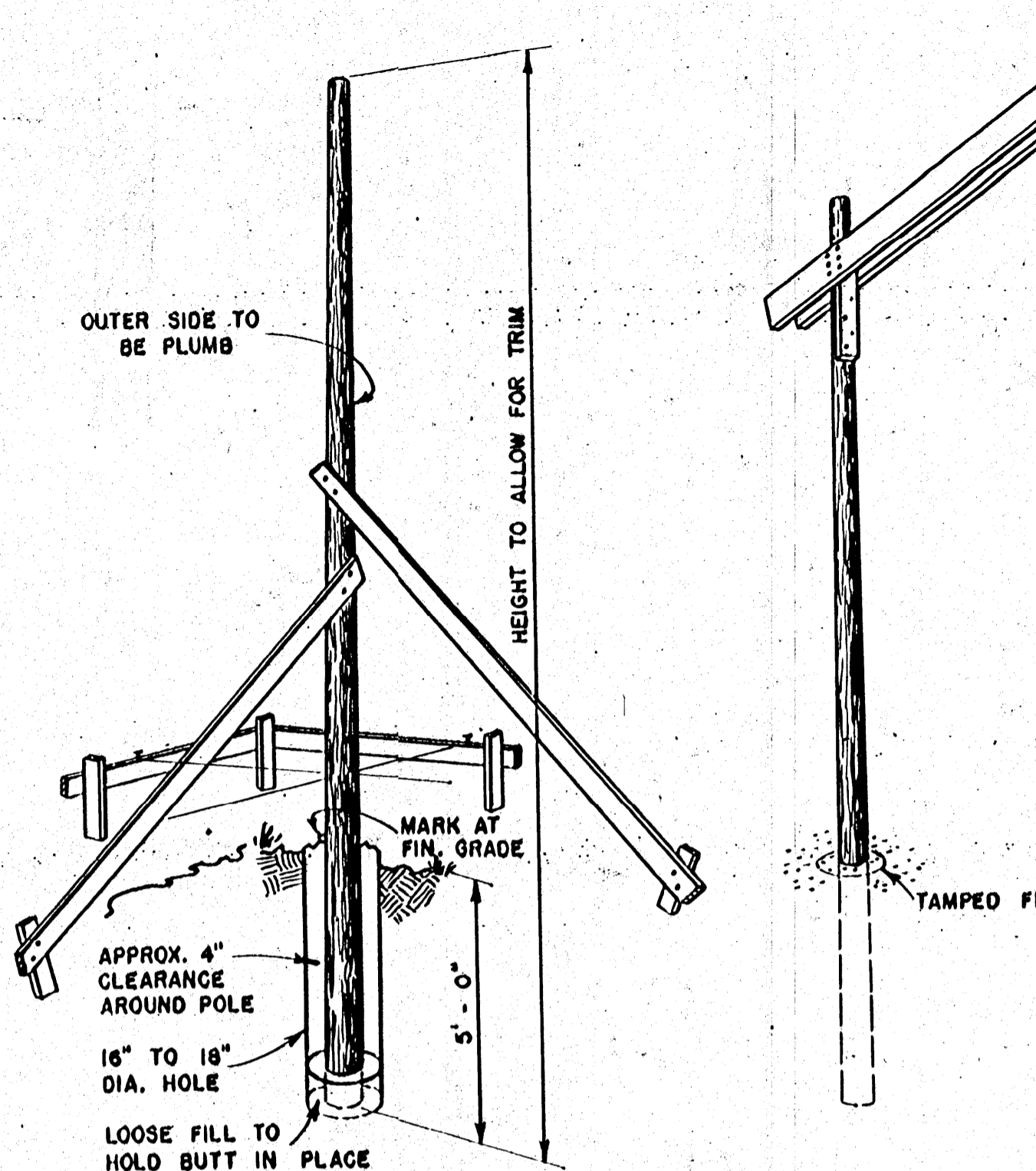
③

2" X 6" TEMPORARY GIRTS MAY BE REMOVED AFTER RAFTERS ARE IN PLACE



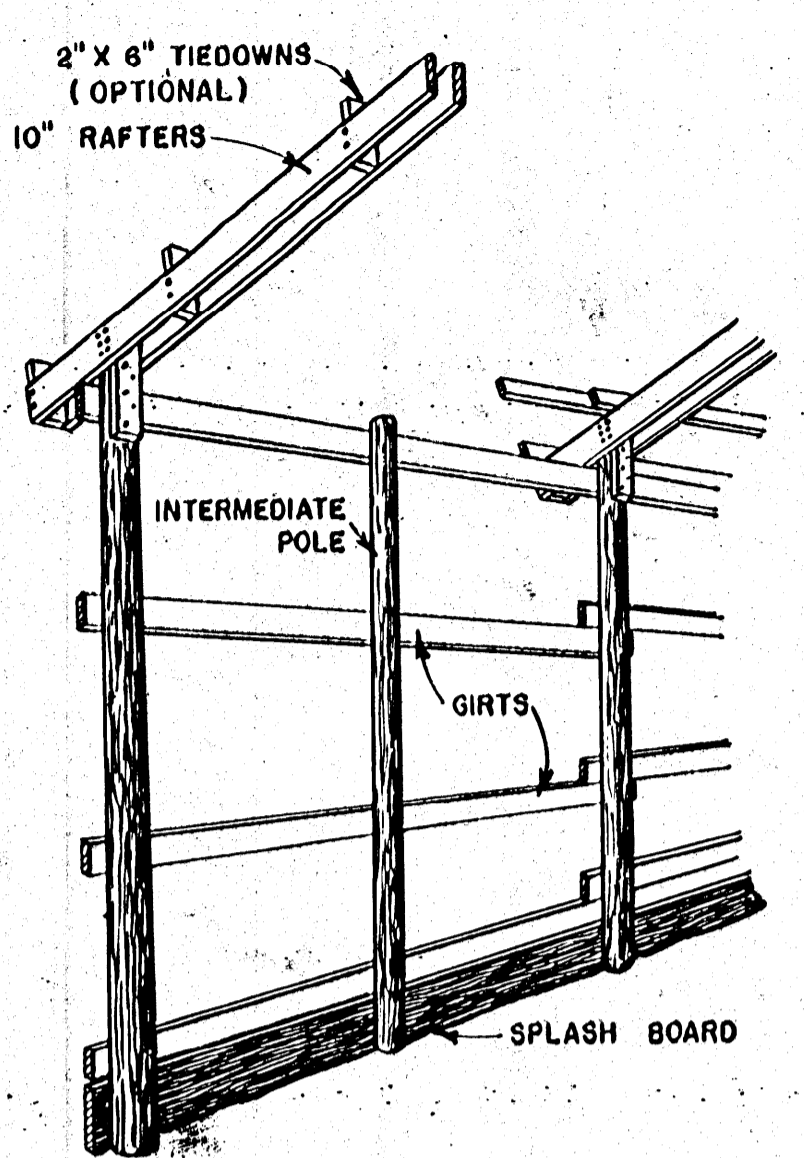
ERECTION OF BALANCE OF POLES & RAFTERS

④



POST HOLE & BRACED POLE

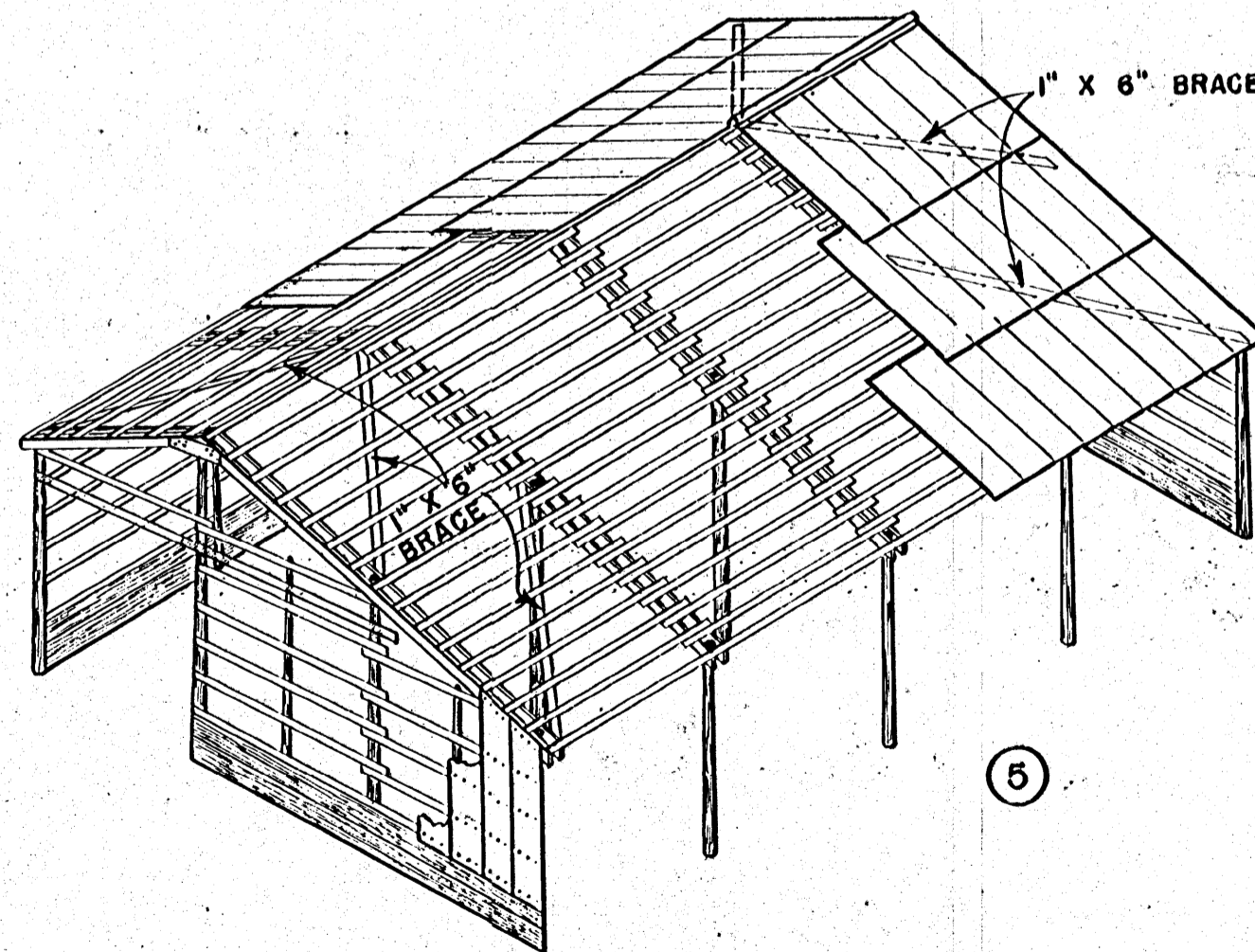
POLE & RAFTERS



POLES, RAFTERS, PURLINS & GIRTS

NOTE

ALL POLES & SPLASH BOARDS TO BE PRESSURE-TREATED WITH PRESERVATIVE.



PURLINS, GIRTS, ROOFING & SIDING

⑤

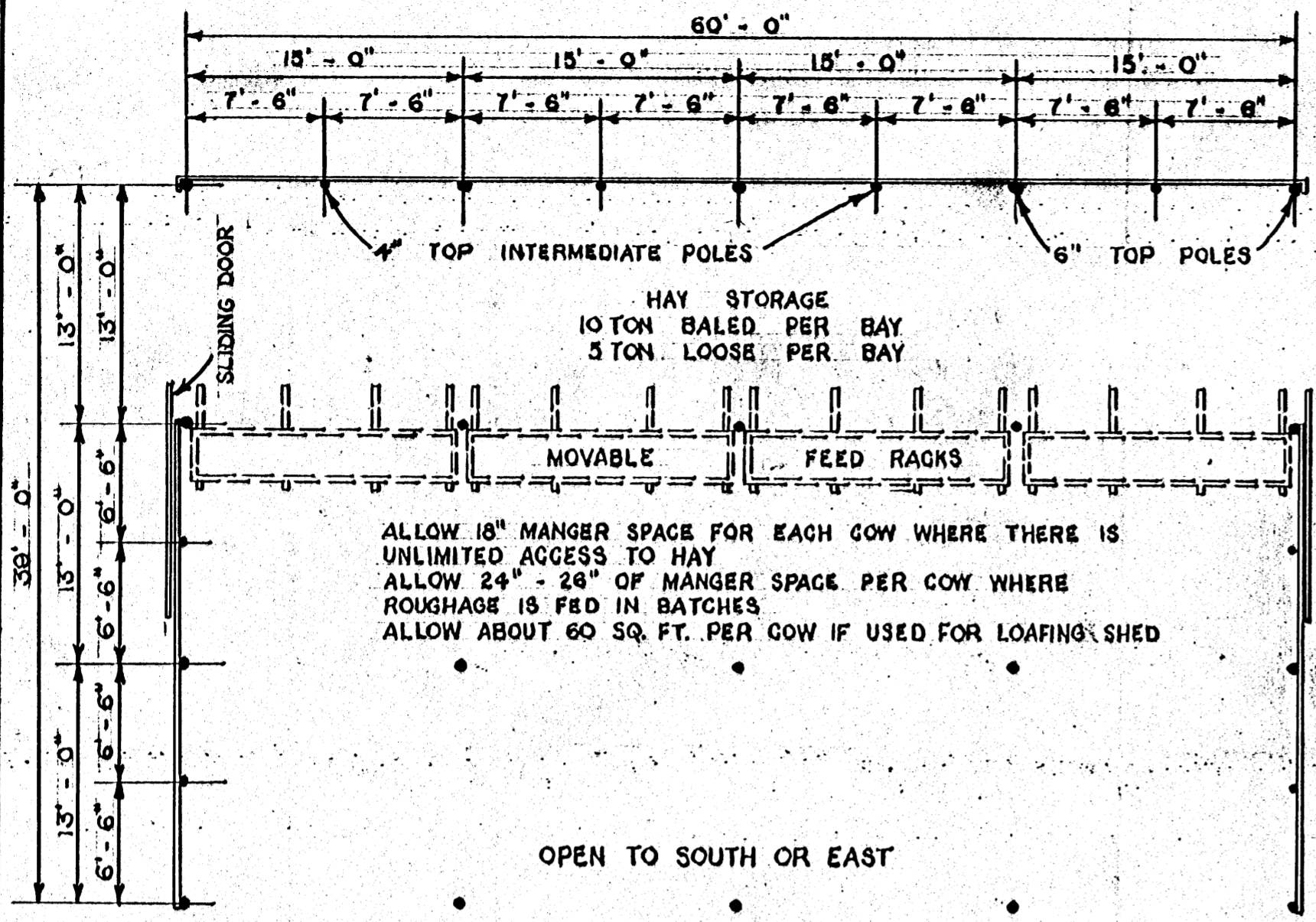
NOTE

THIS BUILDING IS DESIGNED FOR AREAS OF THE SOUTHERN UNITED STATES WHERE THE SNOW LOAD DOES NOT EXCEED 10^{1/2} PER SQ. FT. & WIND DOES NOT EXCEED 88 MI. PER HOUR. IN A FEW AREAS, SUCH AS NORTHERN VIRGINIA & WESTERN KENTUCKY WHERE SNOW LOADS EXCEED 10^{1/2} PER SQ. FT., 2" X 12" RAFTERS SHOULD BE USED INSTEAD OF THE 2" X 10" RAFTERS SHOWN & PURLINS SHOULD BE SPACED 16" O.C. INCREASE NUMBER OF 30D NAILS IN RAFTER TO POLE CONNECTIONS 50%. IT SHOULD NOT BE USED IN OTHER AREAS WITHOUT REDESIGNING FRAMING TO MEET LOCAL CONDITIONS.

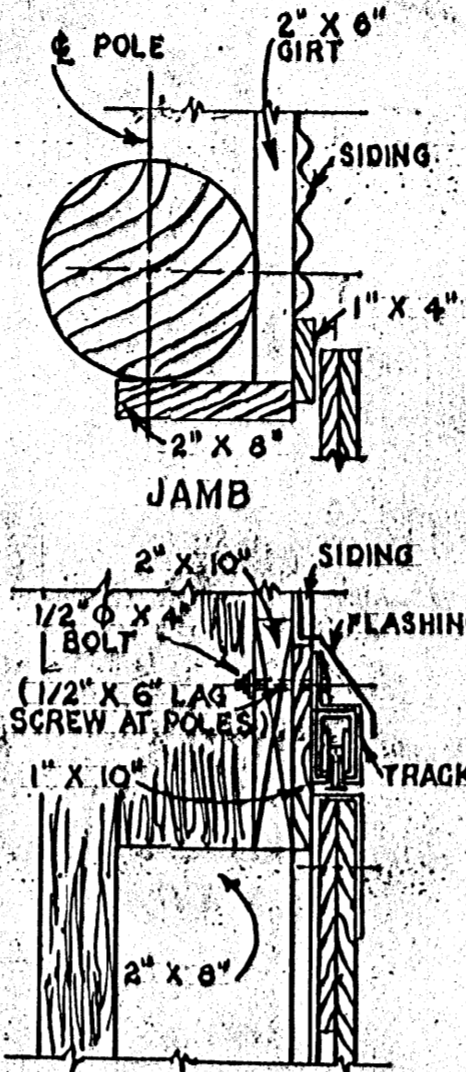
NOTE

THIS BARN MAY BE BUILT IN ANY LENGTH DESIRED IN UNITS OF 15'-0".

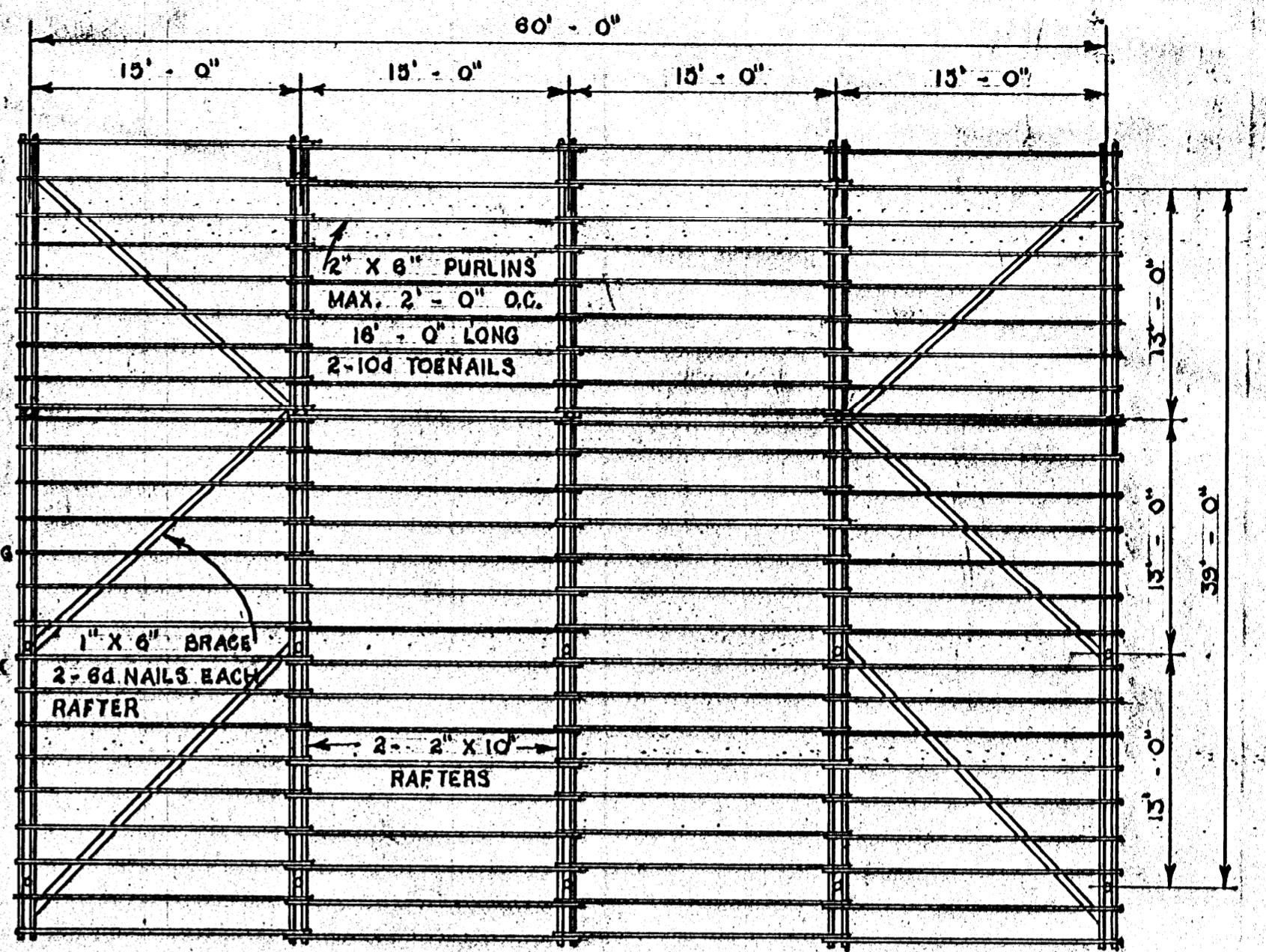
COOPERATIVE EXTENSION WORK IN AGRICULTURE AND HOME ECONOMICS STATE OF MISSISSIPPI MISSISSIPPI STATE UNIVERSITY AND UNITED STATES DEPARTMENT OF AGRICULTURE COOPERATING		
POLE BARN		
USDA 54	EX. 5781	SHEET 1 OF 3



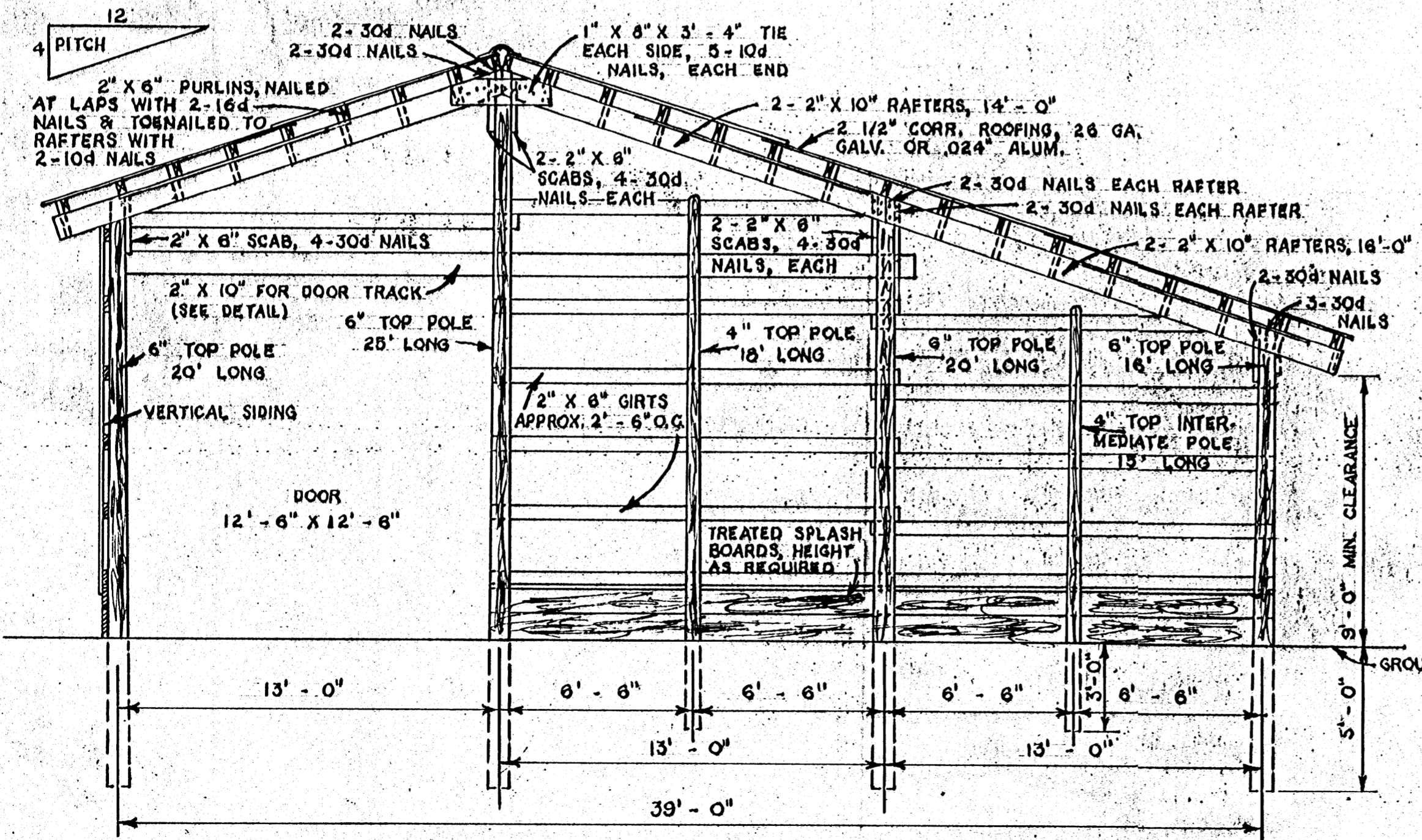
FLOOR PLAN
SCALE: 1/8" = 1'-0"



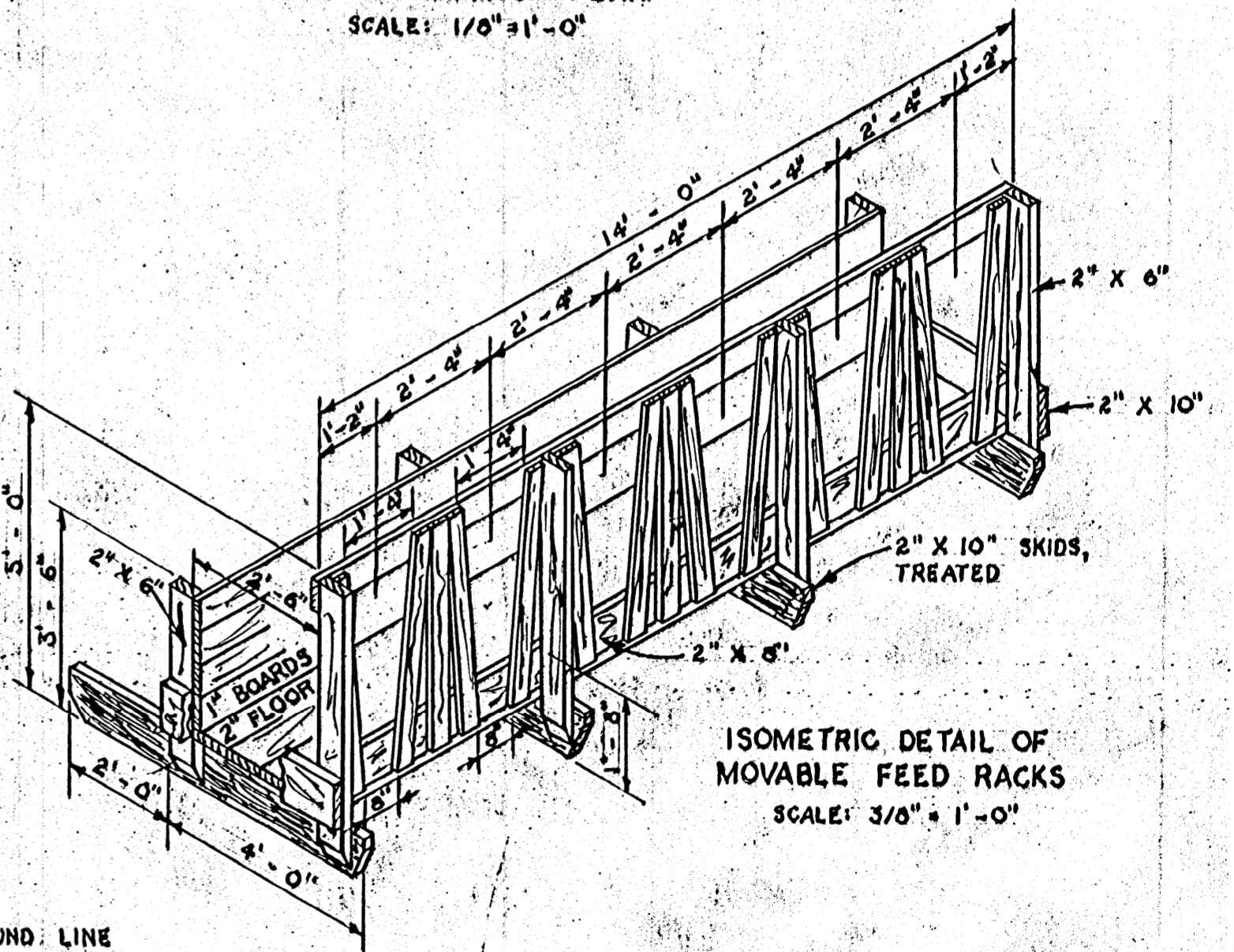
DOOR DETAIL
SCALE: 1/2" = 1'-0"



ROOF FRAMING PLAN
SCALE: 1/8" = 1'-0"



CROSS SECTION SHOWING END WALL FRAMING
SCALE: 1/4" = 1'-0"

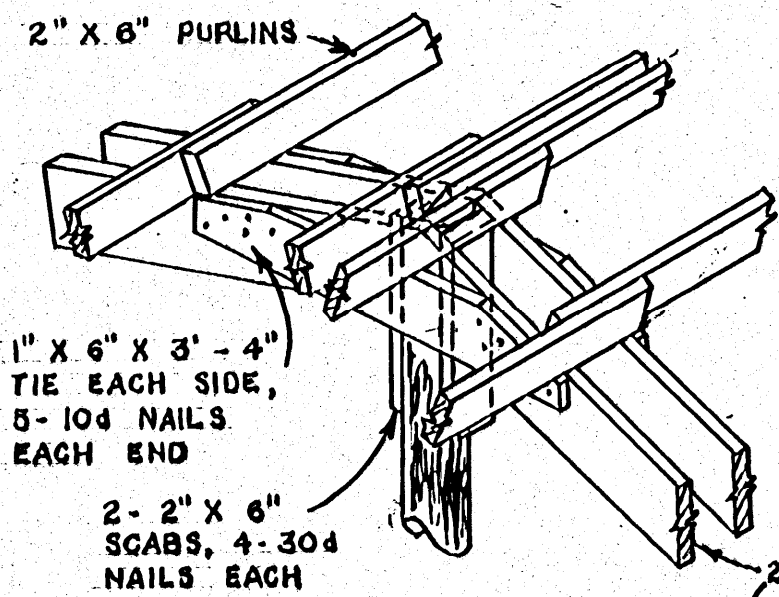


ISOMETRIC DETAIL OF MOVABLE FEED RACKS
SCALE: 3/8" = 1'-0"

NOTE:
IF IN THE FUTURE THIS BARN IS TO BE WIDENED TO 52' AS SHOWN ON SHEET 3, USE LONGER POLES AS SHOWN ON SHEET 3.

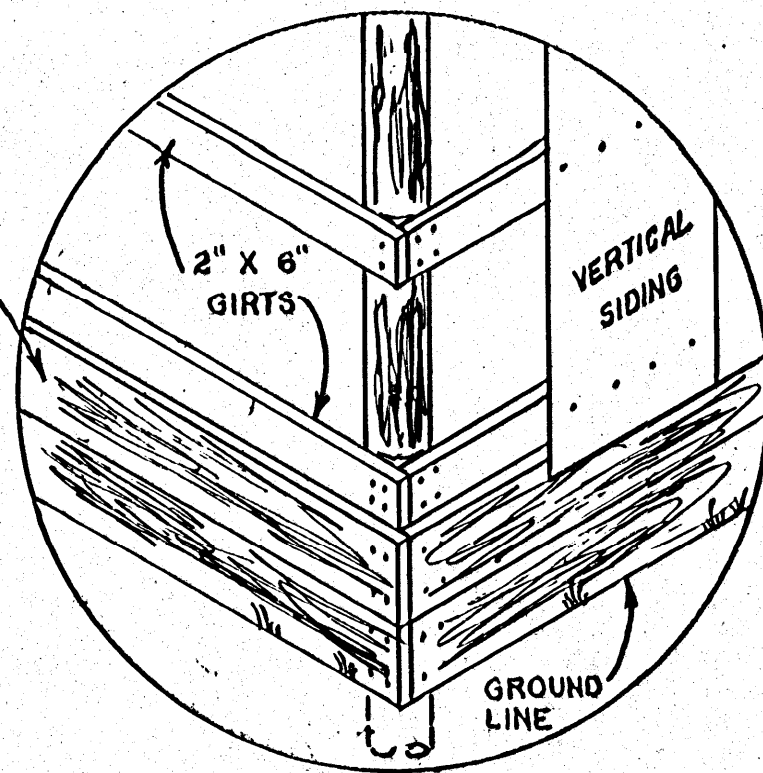
COOPERATIVE EXTENSION WORK IN AGRICULTURE AND HOME ECONOMICS
STATE OF MISSISSIPPI
MISSISSIPPI STATE UNIVERSITY
AND
UNITED STATES DEPARTMENT OF AGRICULTURE COOPERATING

POLE BARN		
USDA '54	EX. 5781	SHEET 2 OF 3

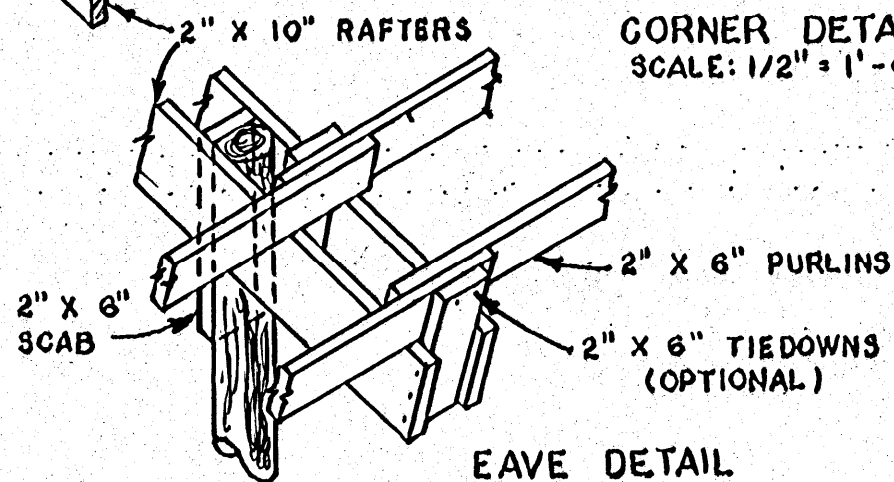


RIDGE DETAIL
SCALE: 1/2" = 1'-0"

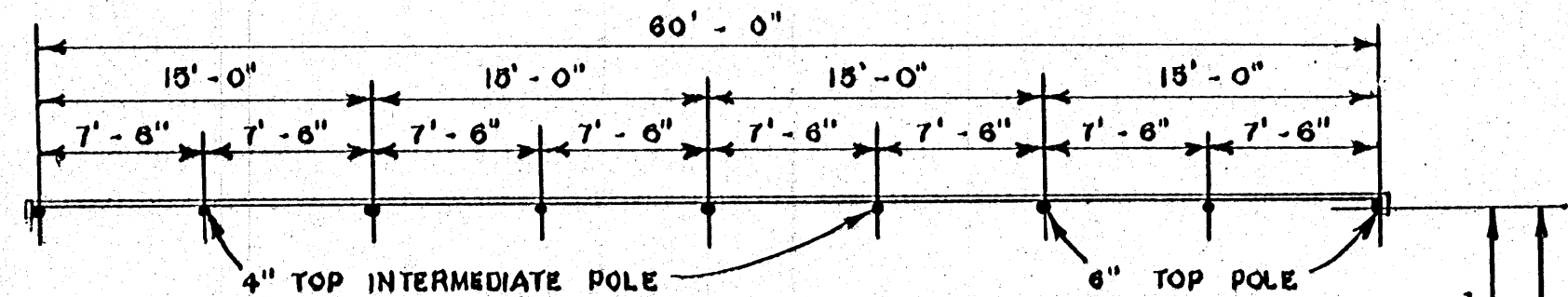
TREATED SPLASH
BOARDS



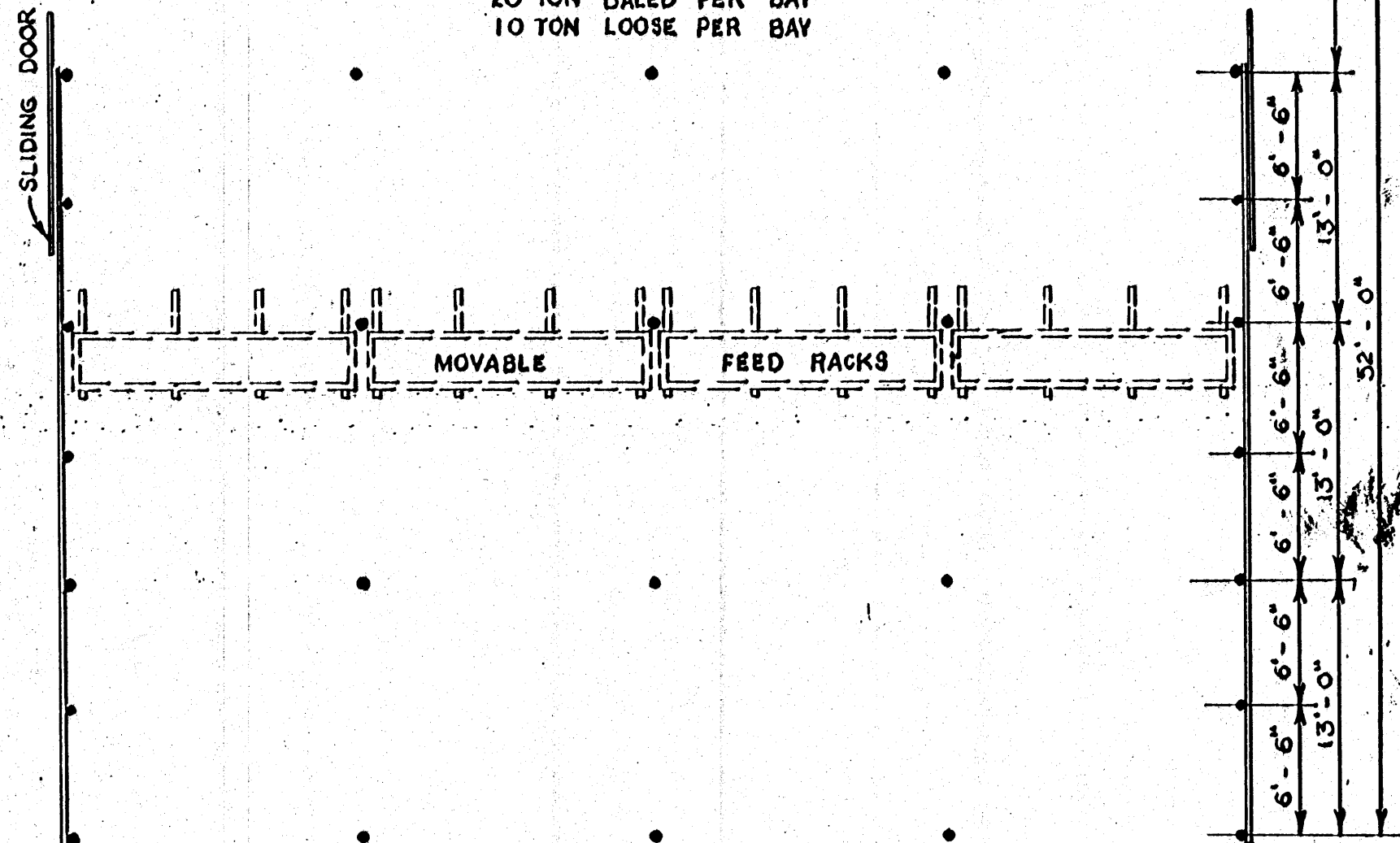
CORNER DETAIL
SCALE: 1/2" = 1'-0"



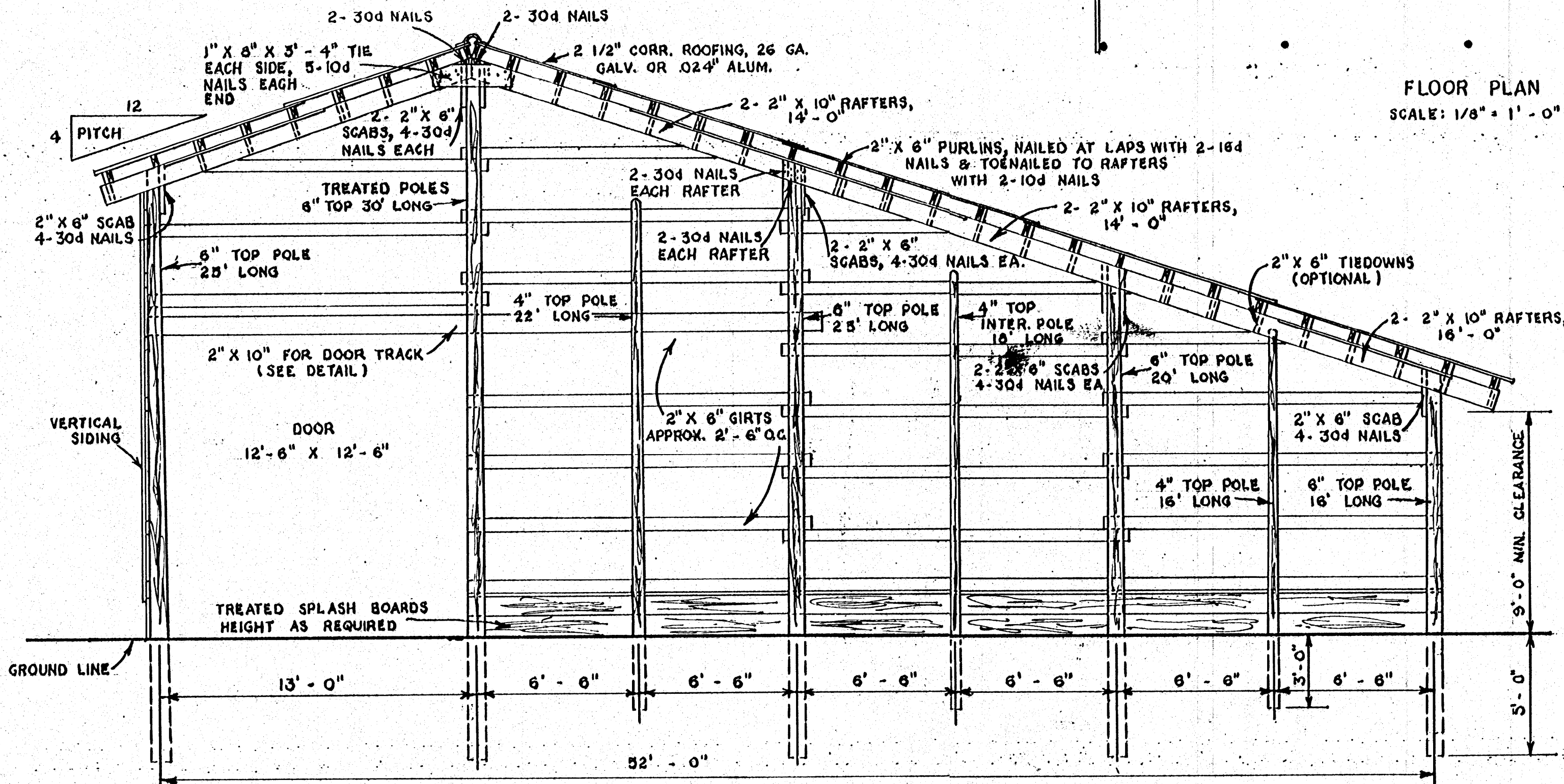
EAVE DETAIL
SCALE: 1/2" = 1'-0"



HAY STORAGE
20 TON BALED PER BAY
10 TON LOOSE PER BAY



FLOOR PLAN
SCALE: 1/8" = 1'-0"



CROSS SECTION SHOWING END WALL FRAMING
SCALE: 1/4" = 1'-0"

NOTE!
ROOFING- PURLIN SPACING NOT TO EXCEED 2'-0" FOR .024"; 2 1/2" CORRUGATED ALUM. OR 26 GA. 2 1/2" CORRUGATED GALVANIZED STEEL. SIDE LAP SHEETS AT LEAST 1 1/2" CORRUGATIONS. END LAPS 6" MIN. USE 2 1/2" CORRUGATED RIDGE ROLL. LUMBER NOMINAL, ALLOWABLE FIBER STRESS = 1500 PSI FOR PURLINS, 1200 PSI FOR RAFTERS. IF METAL SIDING IS USED, NAILING GIRTS TO BE SPACED TO CONFORM TO MANUFACTURERS DIRECTIONS.

COOPERATIVE EXTENSION WORK IN
AGRICULTURE AND HOME ECONOMICS
STATE OF MISSISSIPPI
MISSISSIPPI STATE UNIVERSITY
AND
UNITED STATES DEPARTMENT OF AGRICULTURE COOPERATING

POLE BARN

USDA '54 EX. 5781 SHEET 3 OF 3