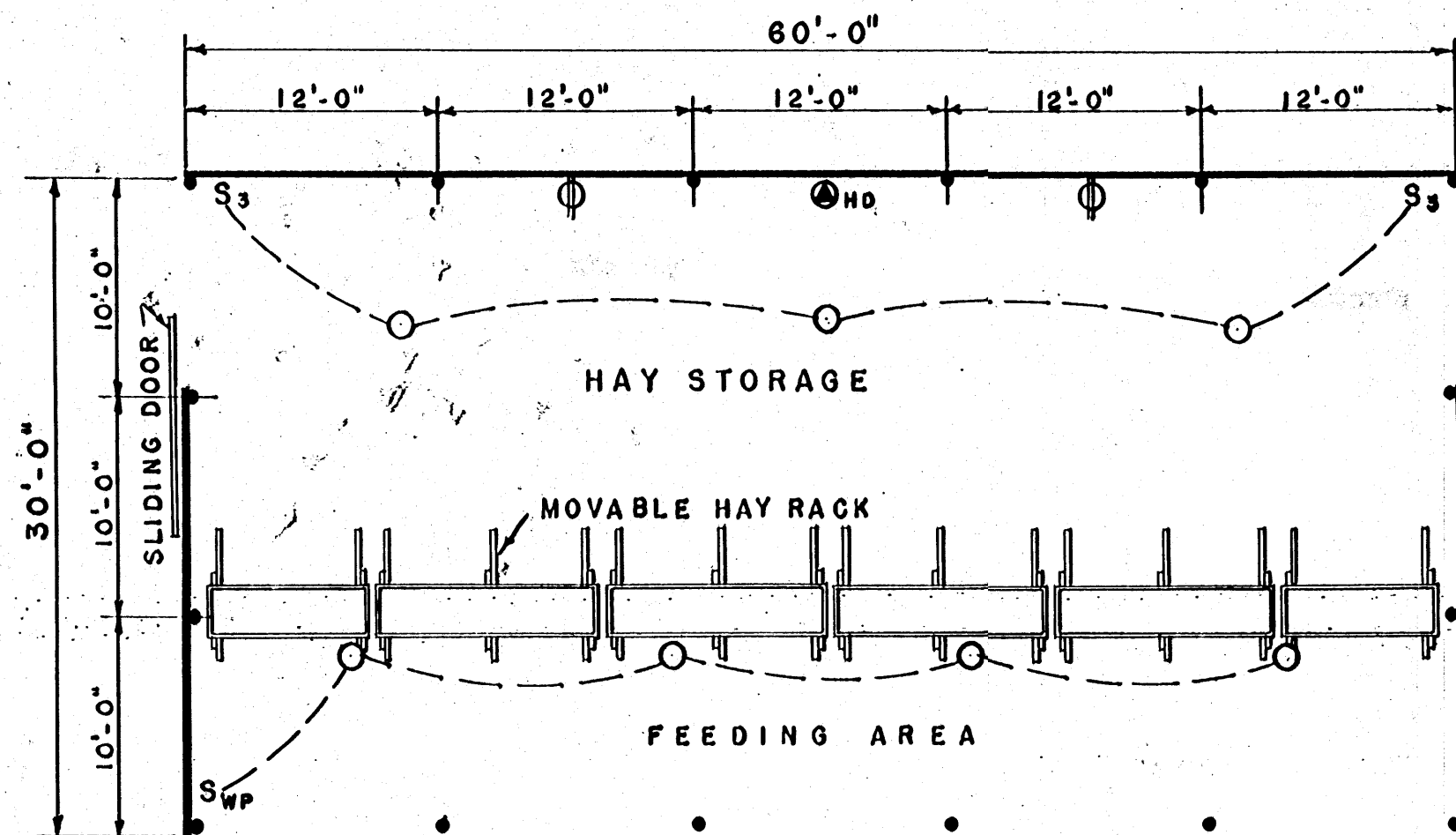
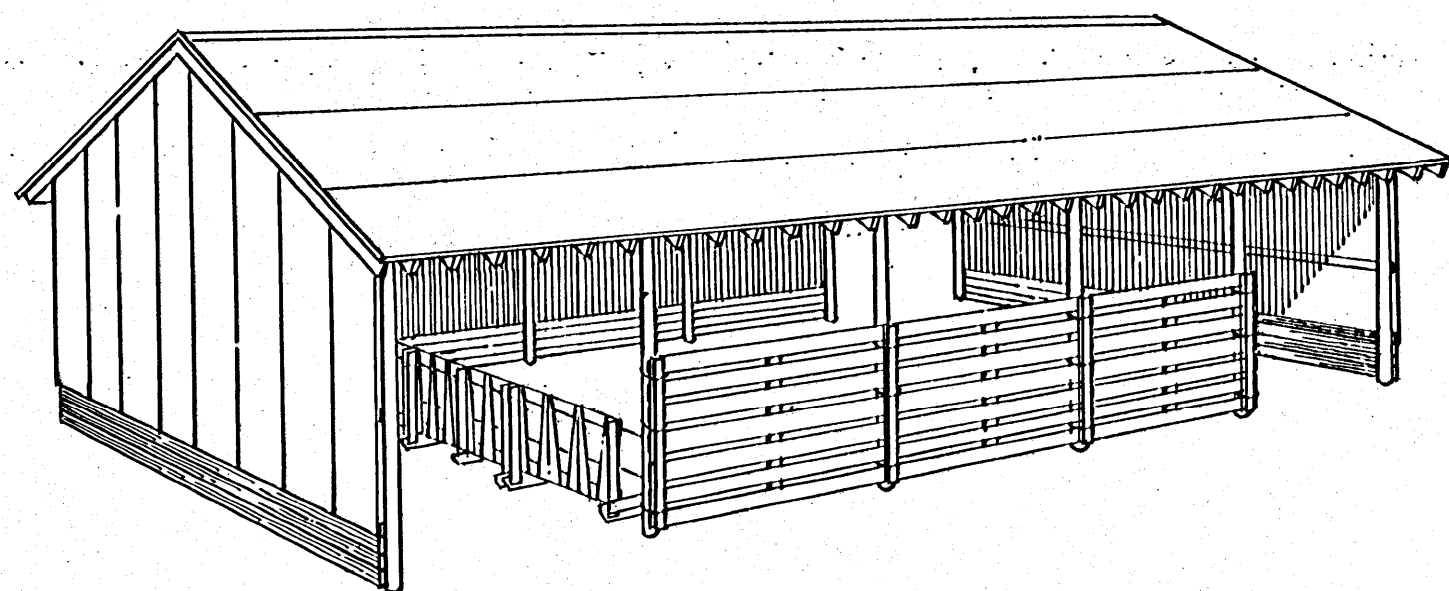


PLAN NO. 1
SCALE 1/8" = 1'-0"

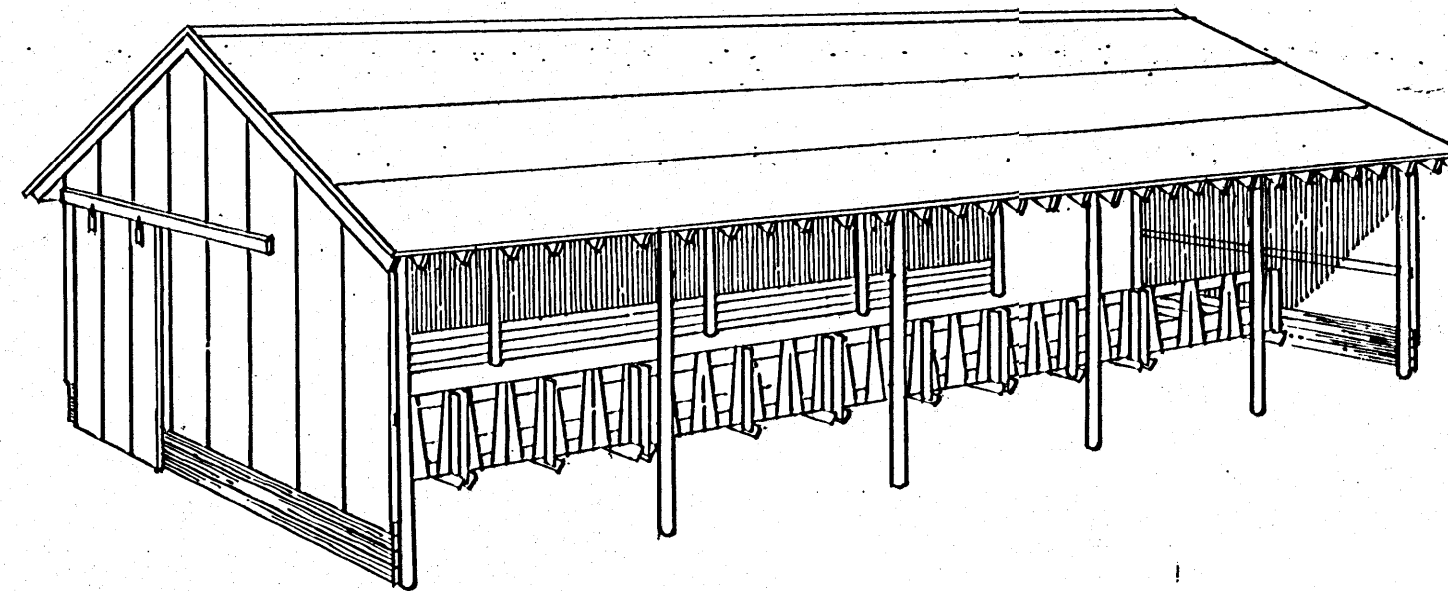


PLAN NO. 2
SCALE 1/8" = 1'-0"

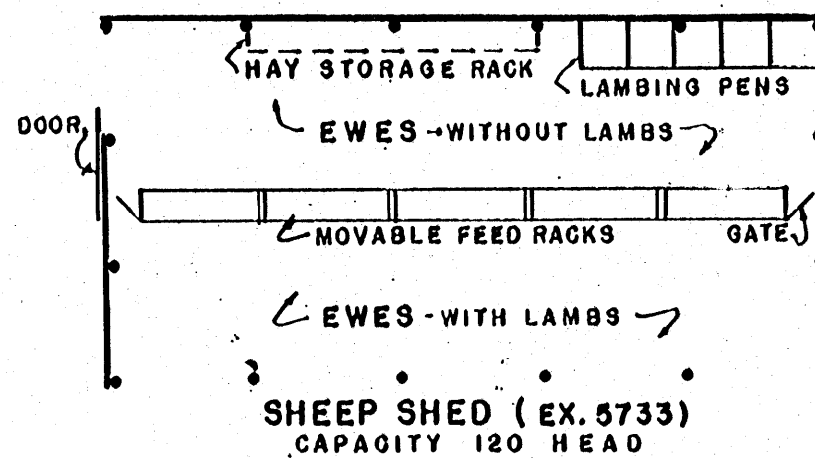
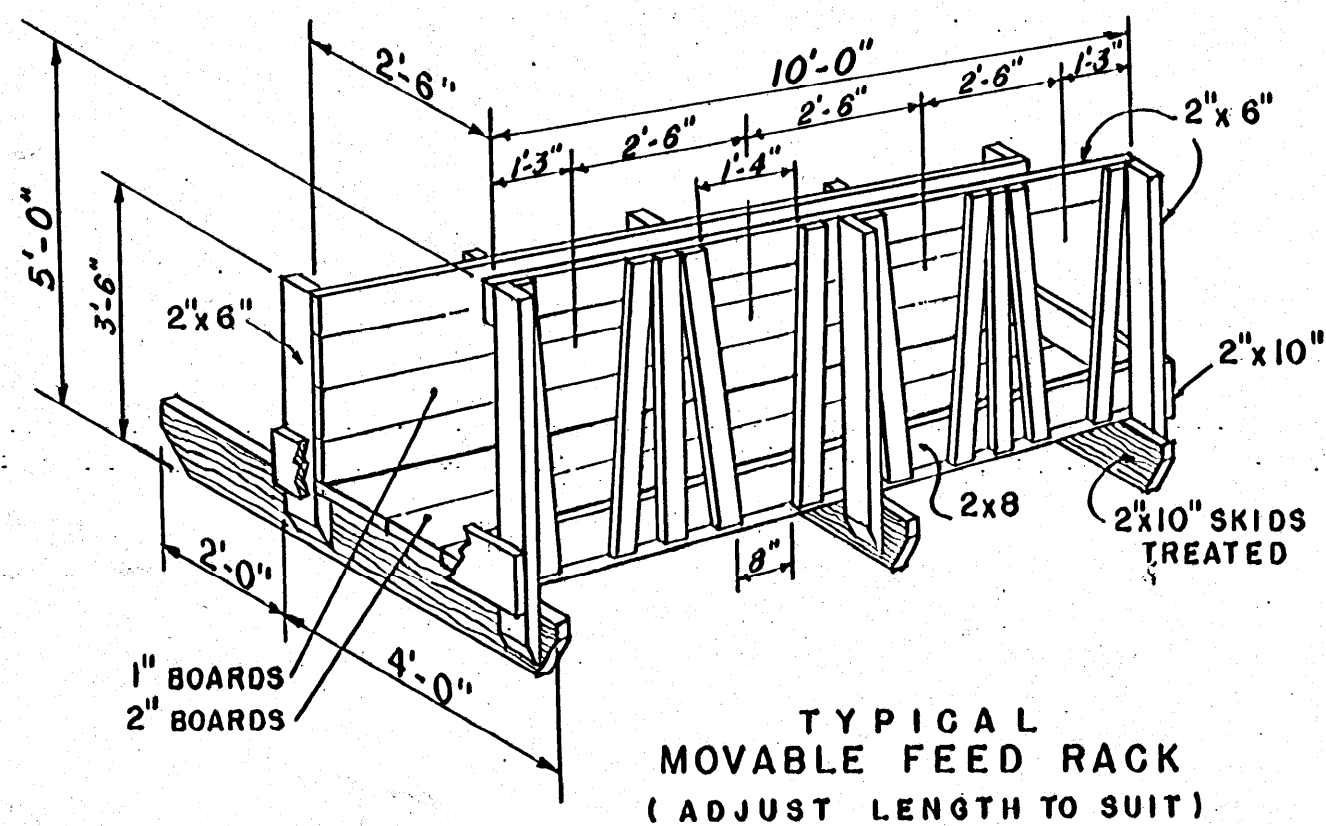
- WIRING LEGEND
- LIGHT OUTLET
 - ⊕ DUPLEX OUTLET
 - ⊙_{HD} HAY DRYER
 - S SINGLE POLE SWITCH
 - S₃ 3 WAY SWITCH
 - S_{WP} WEATHERPROOF SWITCH



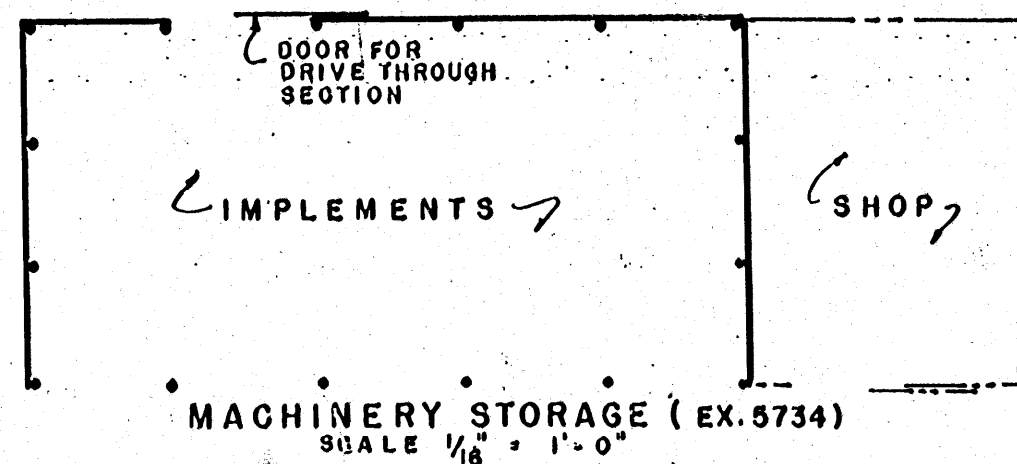
PERSPECTIVE VIEW OF PLAN NO. 1



PERSPECTIVE VIEW OF PLAN NO. 2



- NOTE:-
1. CAPACITY: 24 TO 32 HEAD
 2. LENGTH OF BUILDING MAY BE VARIED IN 12 FT. UNITS.
 3. USE OF THE BUILDING AS SHEEP OR MACHINERY SHELTER IS ILLUSTRATED BY SMALL PLANS AT LEFT. COMPLETE PLANS FOR EITHER OF THESE TYPES OF BUILDINGS MAY BE OBTAINED - WHEN ORDERING USE THE PLAN NUMBER INDICATED.



BASED ON VIRGINIA PLAN No. K 1.25

COOPERATIVE EXTENSION WORK IN
AGRICULTURE AND HOME ECONOMICS

AND
UNITED STATES DEPARTMENT OF AGRICULTURE COOPERATING

MULTI PURPOSE POLE BUILDING
CATTLE & HAY BARN

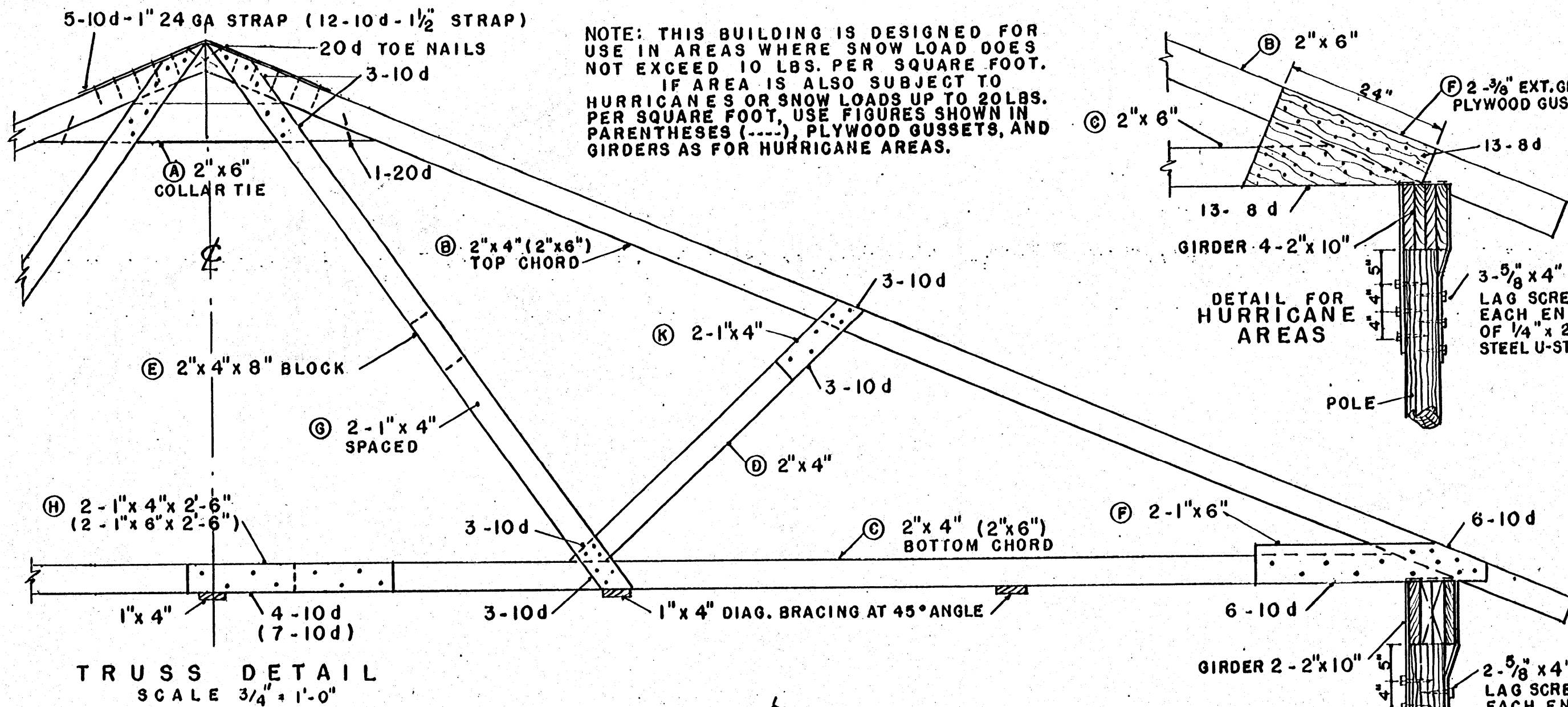
USDA '55 EX. 5794 SHEET 1 OF 2

LIST OF MATERIALS

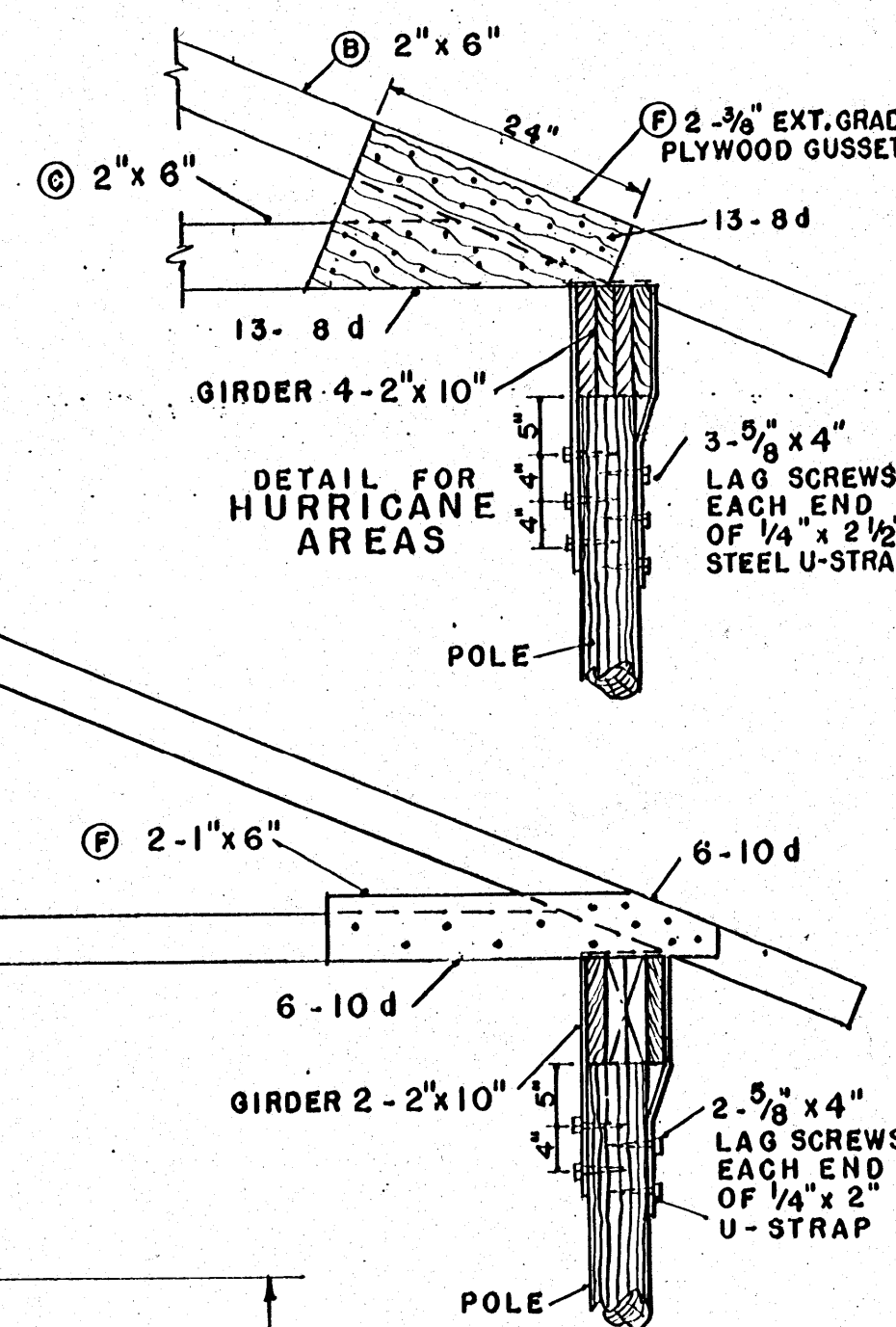
THIS LIST OF MATERIALS IS PREPARED FOR ESTIMATING PURPOSES, IF USED FOR THE PURCHASE OF MATERIALS, THE QUANTITIES SHOULD BE VERIFIED BY THE BUILDER.

ITEM	NORMAL AREAS		HURRICANE AREAS	
	SIZE	PCS.	SIZE	PCS.
TRUSSES (TOTAL 31)				
(A) COLLAR TIE	2" x 6" x 14'-0"	8	2" x 6" x 12'-0"	8
(B) TOP CHORD	2" x 4" x 18'-0"	62	2" x 6" x 18'-0"	62
(C) BOTTOM CHORD	2" x 4" x 14'-0"	31	2" x 6" x 14'-0"	31
(D) STRUT & (E) BLOCK	2" x 4" x 10'-0"	31	2" x 4" x 10'-0"	31
(F) GUSSET	1" x 6" x 12'-0"	31	4'-0" x 8'-0" x 3/8" EXT. PLY.	8
(G) TIE & (K) SCAB	1" x 4" x 10'-0"	124	1" x 4" x 10'-0"	124
(H) PAD	1" x 4" x 10'-0"	16	1" x 6" x 10'-0"	16
DIAGONAL BRACING	1" x 4" 521 LIN. FT.		1" x 4" x 521 LIN. FT.	
POLES (PRESSURE TREAT)	16'-0" LONG	16	17'-0" LONG	16
NAILING GIRTS	2" x 4" x 16'-0"	4	2" x 4" x 16'-0"	4
	2" x 6" x 12'-0"	5	2" x 6" x 12'-0"	5
	2" x 6" x 10'-0"	4	2" x 6" x 10'-0"	4
	2" x 10" x 10'-0"	6	2" x 10" x 10'-0"	6
SPLASH BOARDS (PRESSURE TREATED)	2" x 6" x 12'-0"	20	2" x 6" x 12'-0"	20
	2" x 6" x 10'-0"	16	2" x 6" x 10'-0"	16
GIRDERS	2" x 10" x 12'-0"	20	2" x 10" x 12'-0"	40
BLOCKING	2" x 4" x 16'-0"	2	2" x 4" x 16'-0"	2
	2" x 4" x 10'-0"	2	2" x 4" x 10'-0"	2
	2" x 10" x 12'-0"	6	2" x 10" x 12'-0"	6
SPLICE	2" x 4" x 12'-0"	2	2" x 4" x 12'-0"	2
VERGE BOARDS	1" x 6" x 18'-0"	4	1" x 6" x 18'-0"	4

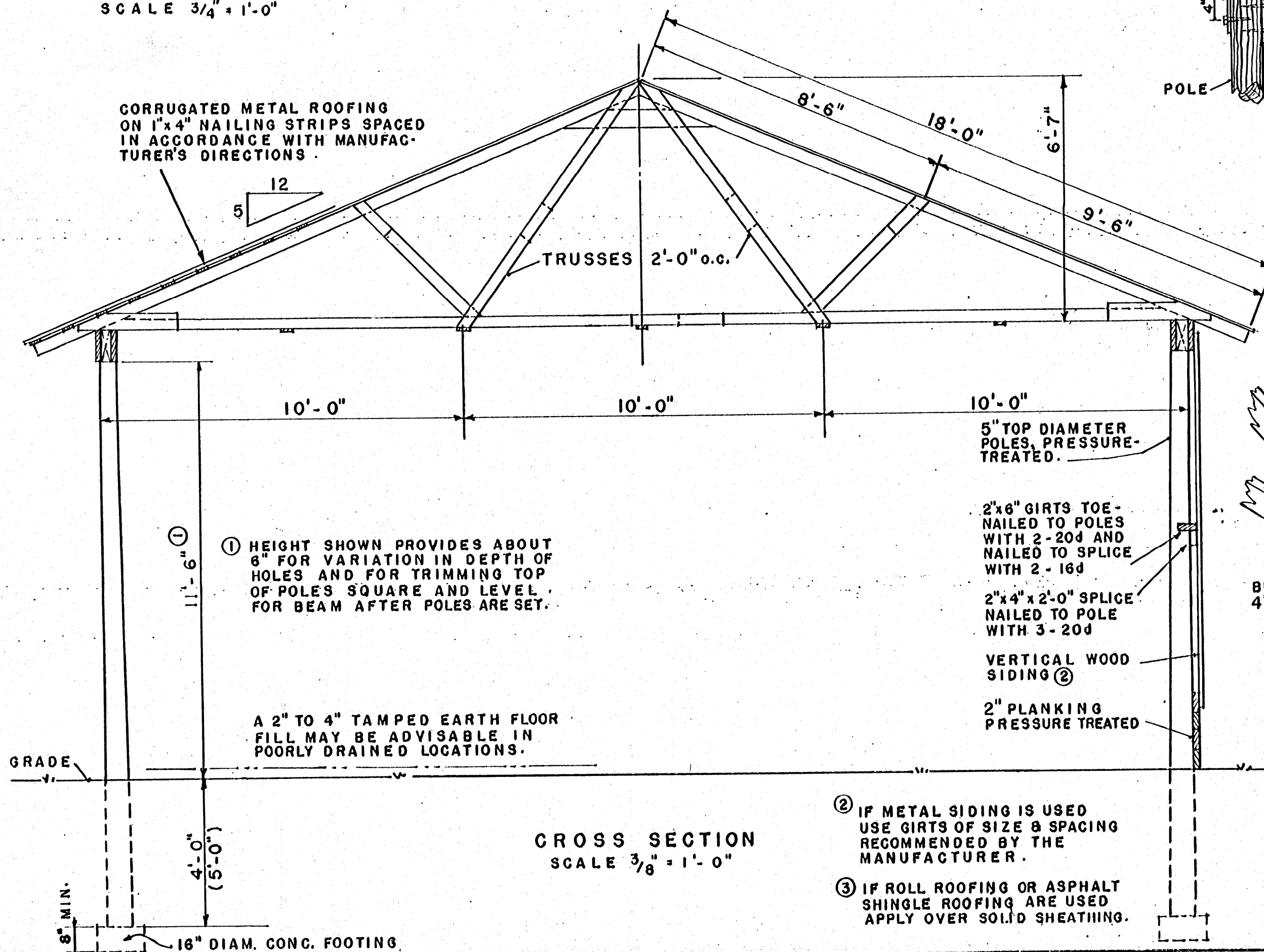
SIDING & DOORS: 1791 B.M. 1" BOARDS OR 16 SQS. OF MET. SIDING
 ROOF SHEATHING: 2500 B.M. 1" BOARDS
 ROOFING: 23 SQUARES - 62' RIDGE CAP
 HARDWARE: 4 DOOR HANGERS, SLIDING DOOR TRACK 48', GUTTERS, DOWNSPOUTS, NAILS, STRAPS & PAINT.
 FOR METAL ROOF: SPACED ROOF SHEATHING: 2432' OF 1" x 4" WOOD STRIPS 12' & 14' FT. LENGTHS



TRUSS DETAIL
SCALE 3/4" = 1'-0"



DETAIL FOR HURRICANE AREAS

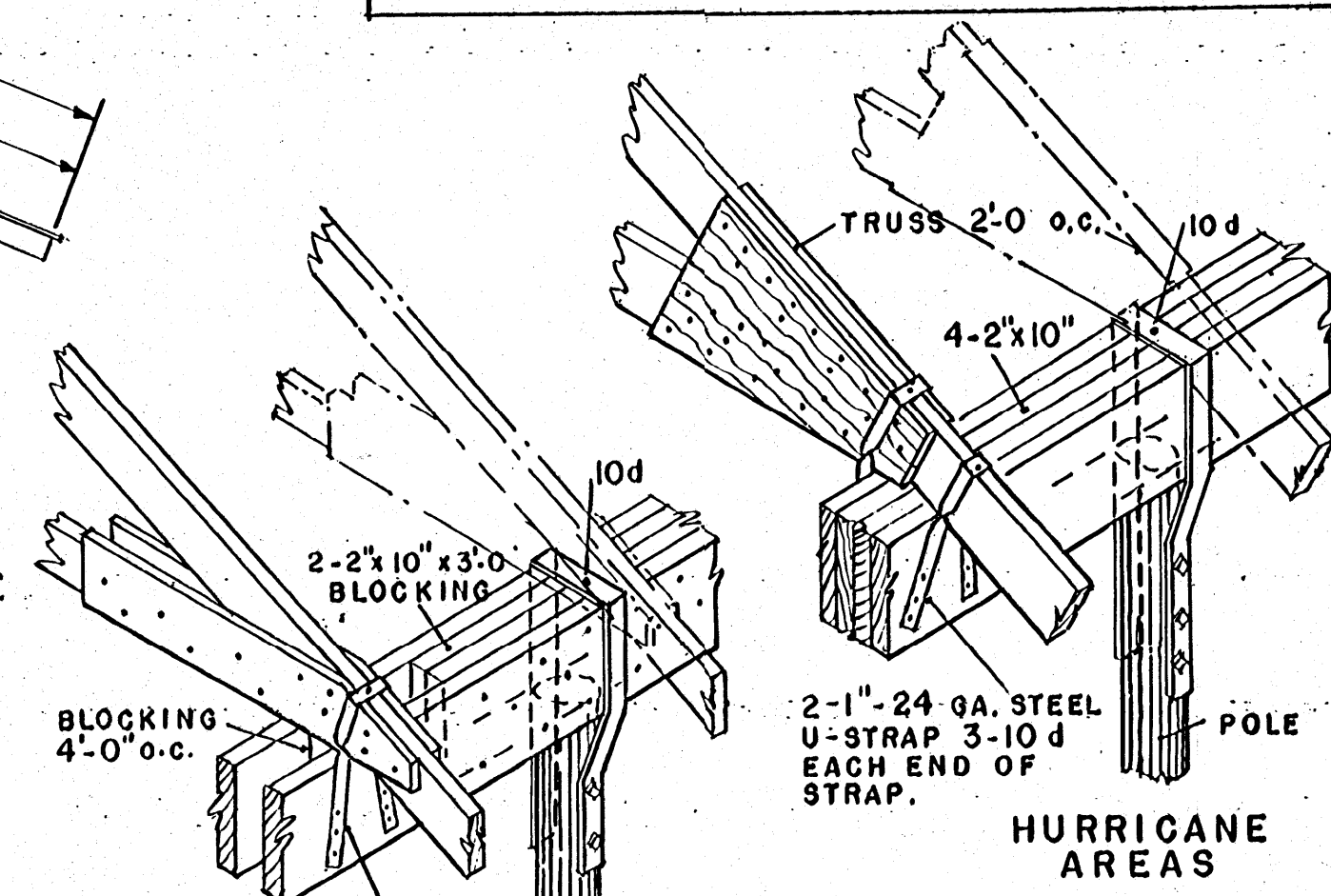


CROSS SECTION
SCALE 3/8" = 1'-0"

① HEIGHT SHOWN PROVIDES ABOUT 6" FOR VARIATION IN DEPTH OF HOLES AND FOR TRIMMING TOP OF POLES SQUARE AND LEVEL FOR BEAM AFTER POLES ARE SET.

A 2" TO 4" TAMPED EARTH FLOOR FILL MAY BE ADVISABLE IN POORLY DRAINED LOCATIONS.

- ② IF METAL SIDING IS USED USE GIRTS OF SIZE & SPACING RECOMMENDED BY THE MANUFACTURER.
- ③ IF ROLL ROOFING OR ASPHALT SHINGLE ROOFING ARE USED APPLY OVER SOLID SHEATHING.



NORMAL AREAS

COOPERATIVE EXTENSION WORK IN
 AGRICULTURE AND HOME ECONOMICS
 AND
 UNITED STATES DEPARTMENT OF AGRICULTURE COOPERATING
**MULTI PURPOSE POLE BUILDING
 CATTLE & HAY BARN**
 USDA '55 EX. 5794 SHEET 2 OF 2