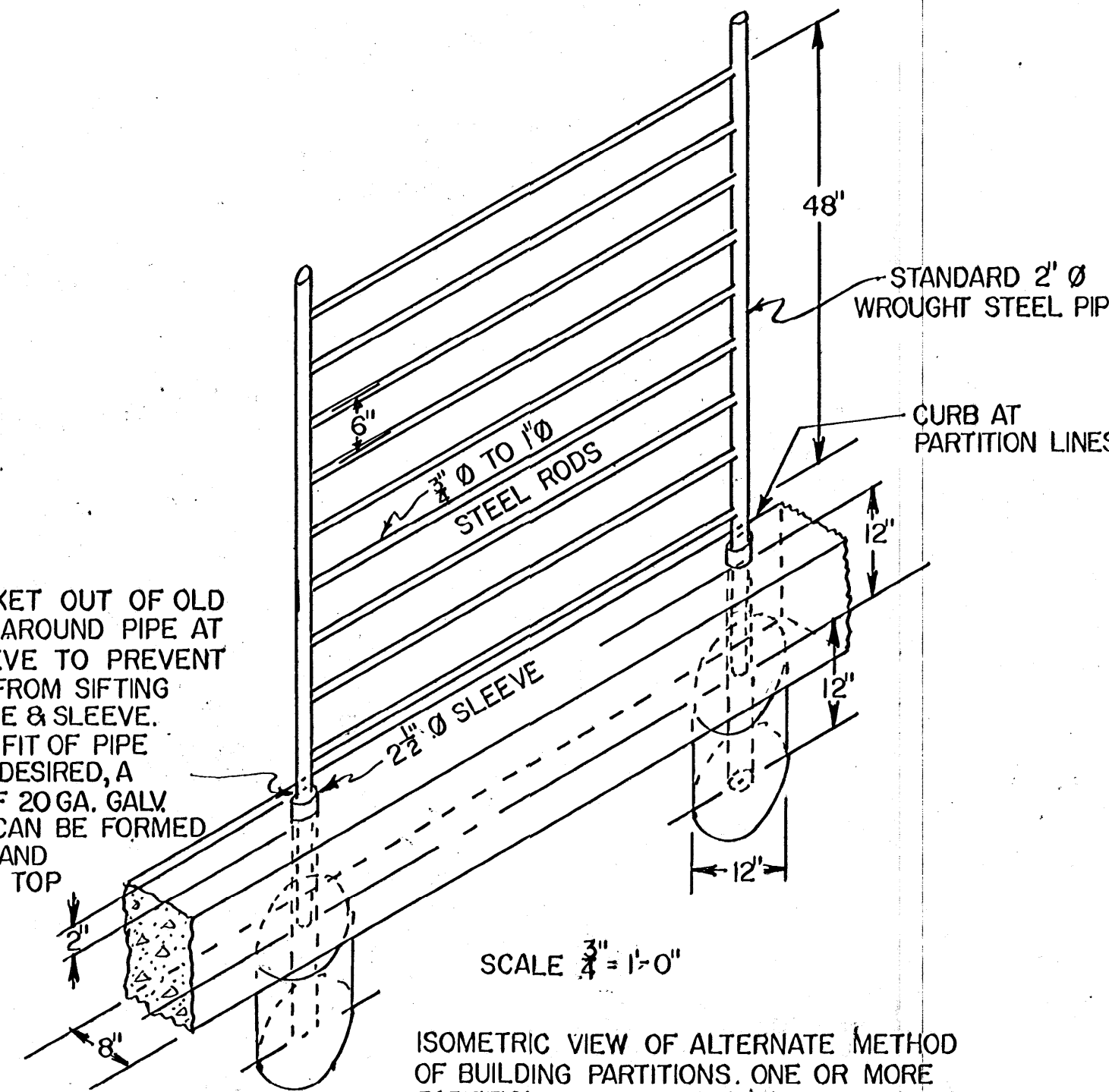


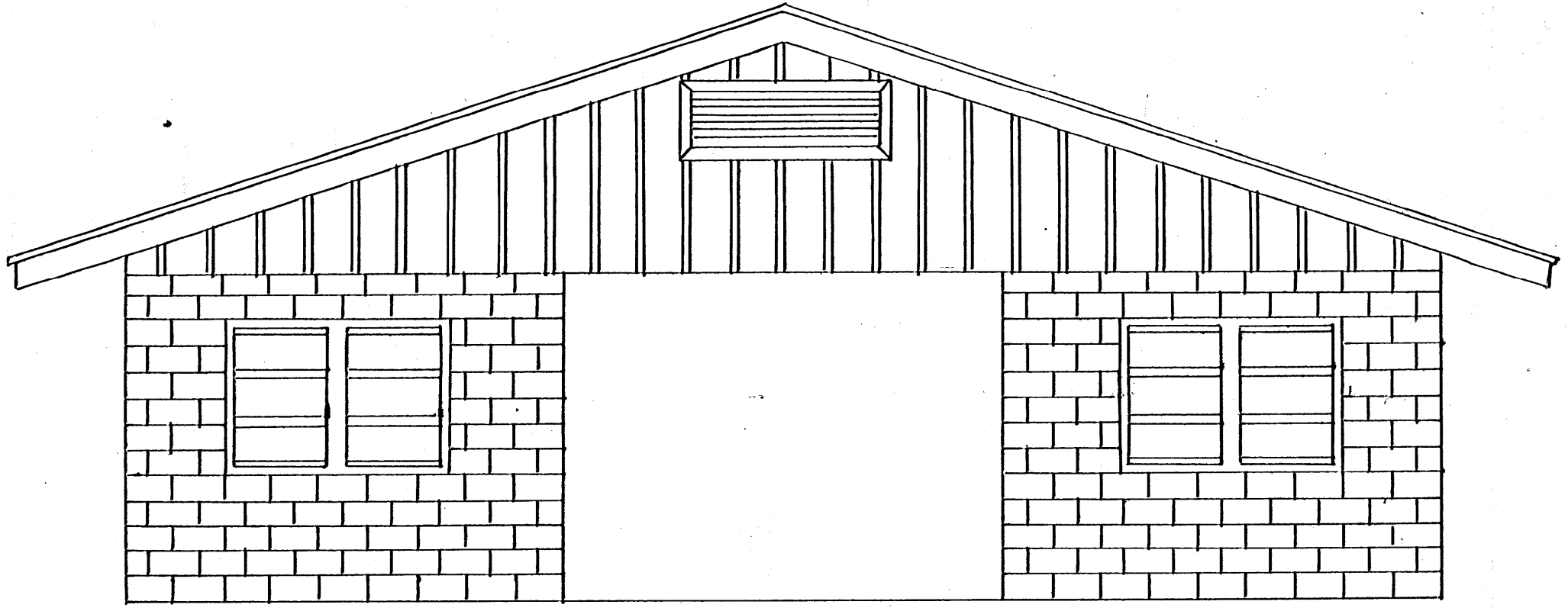
SECTION D-D
SCALE $\frac{3}{4}$ " = 1'-0"



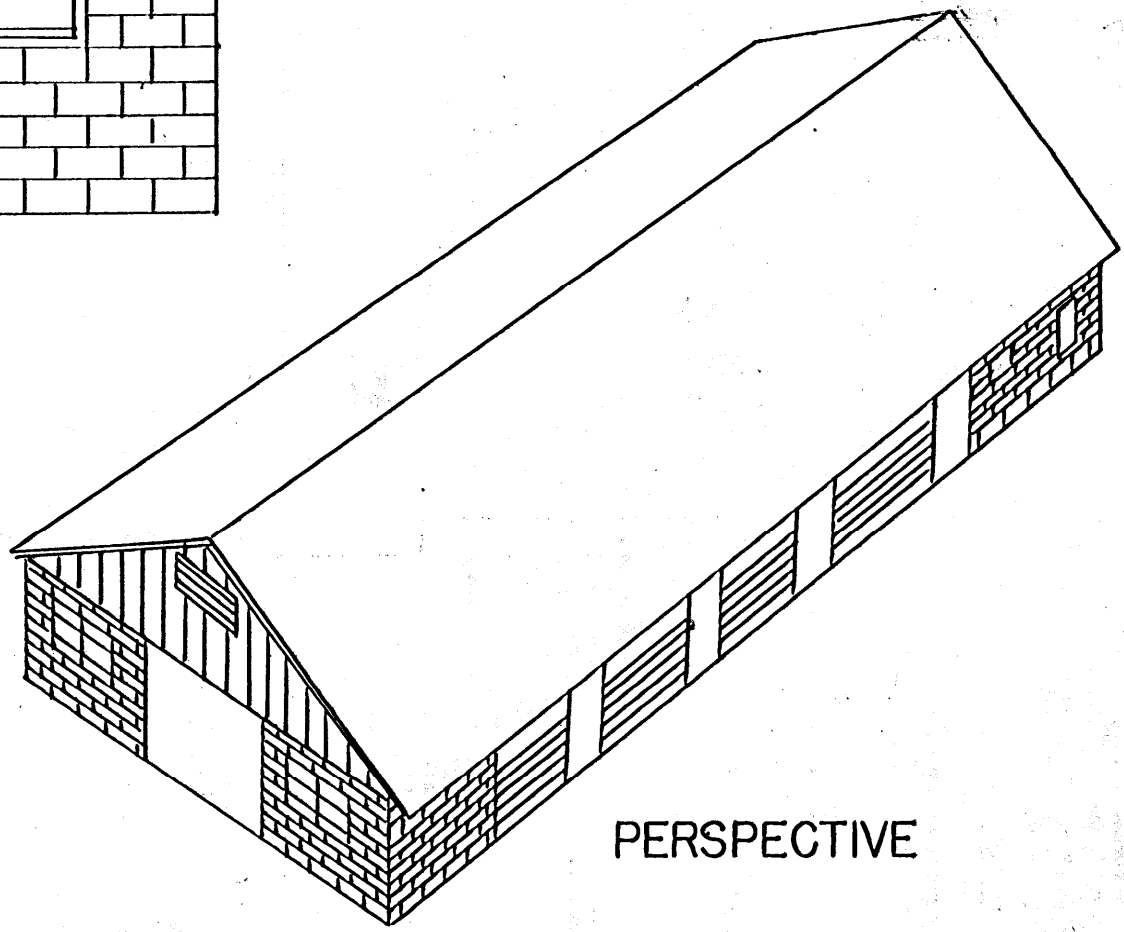
FORM A GASKET OUT OF OLD INNER TUBE AROUND PIPE AT TOP OF SLEEVE TO PREVENT SAND & DIRT FROM SIFTING BETWEEN PIPE & SLEEVE. IF A TIGHTER FIT OF PIPE IN SLEEVE IS DESIRED, A SPILT SHIM OF 20 GA. GALV. IRON SHEET CAN BE FORMED AROUND PIPE AND SLEEVE. BEND TOP 1" 90° FOR REMOVAL.

SCALE $\frac{3}{4}$ " = 1'-0"

ISOMETRIC VIEW OF ALTERNATE METHOD OF BUILDING PARTITIONS. ONE OR MORE PARTITIONS CAN BE BUILT AS A MOVABLE PANEL. THESE CAN BE LIFTED OUT AS NEEDED TO ALLOW ACCESS TO PENS AS NEEDED



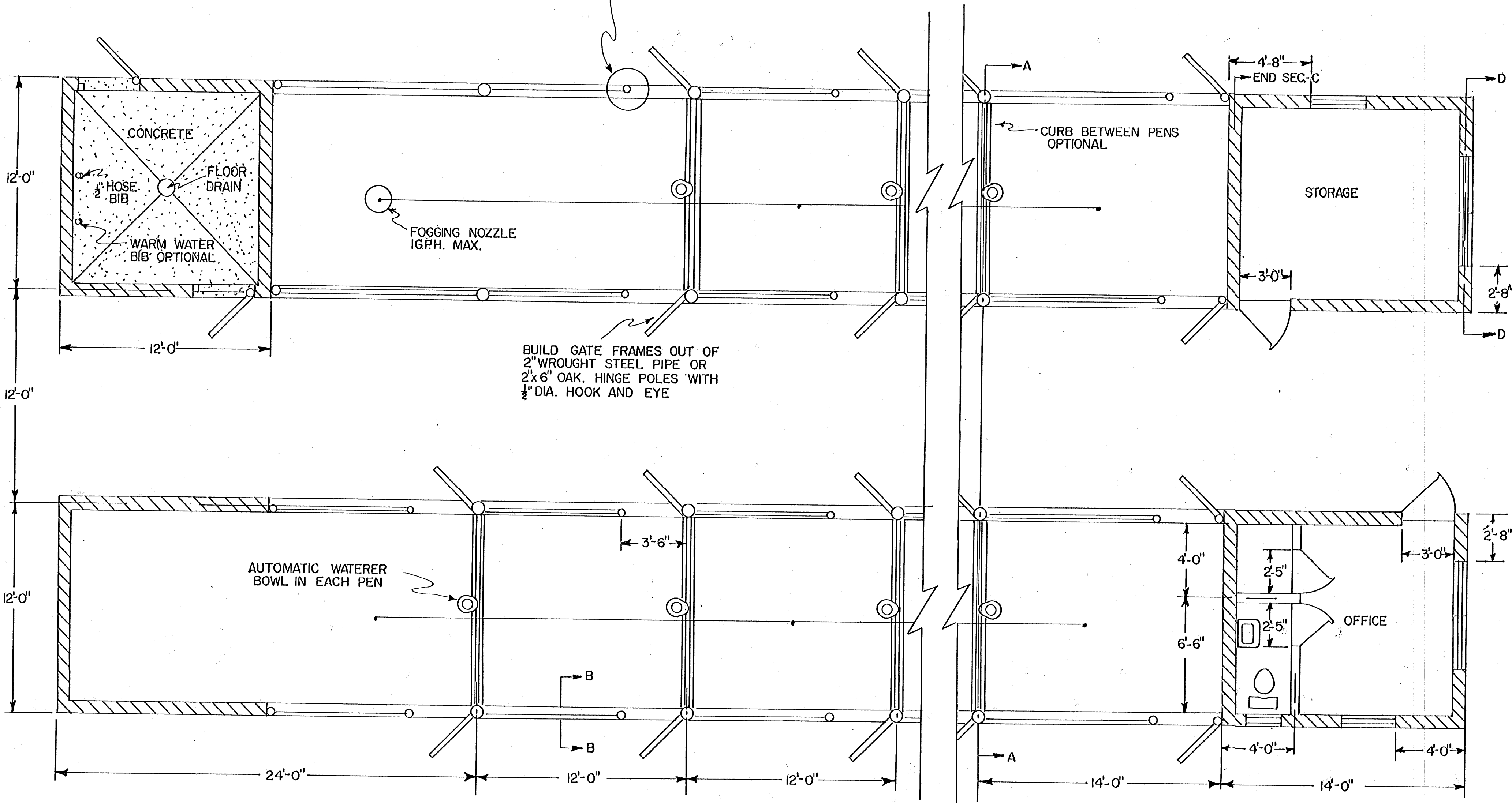
FRONT ELEVATION
SCALE $\frac{1}{4}$ " = 1'-0"



PERSPECTIVE

COOPERATIVE EXTENSION WORK IN AGRICULTURE AND HOME ECONOMIC STATE OF MISSISSIPPI		
MISSISSIPPI STATE UNIVERSITY		
AND UNITED STATES DEPARTMENT OF AGRICULTURE COOPERATION		
BEEF CATTLE FITTING BARN		
MISS '73	5794-A	SHEET 1 OF

IF PRESSURE TREATED POLES ARE USED THEY SHOULD BE 6" TOP DIA. IF LUMBER IS USED FOR RAILS THEY SHOULD BE 2"x6" OAK 6" O.C. FASTENED WITH 1/2" Ø BOLTS OR 1/2" Ø LAGS.

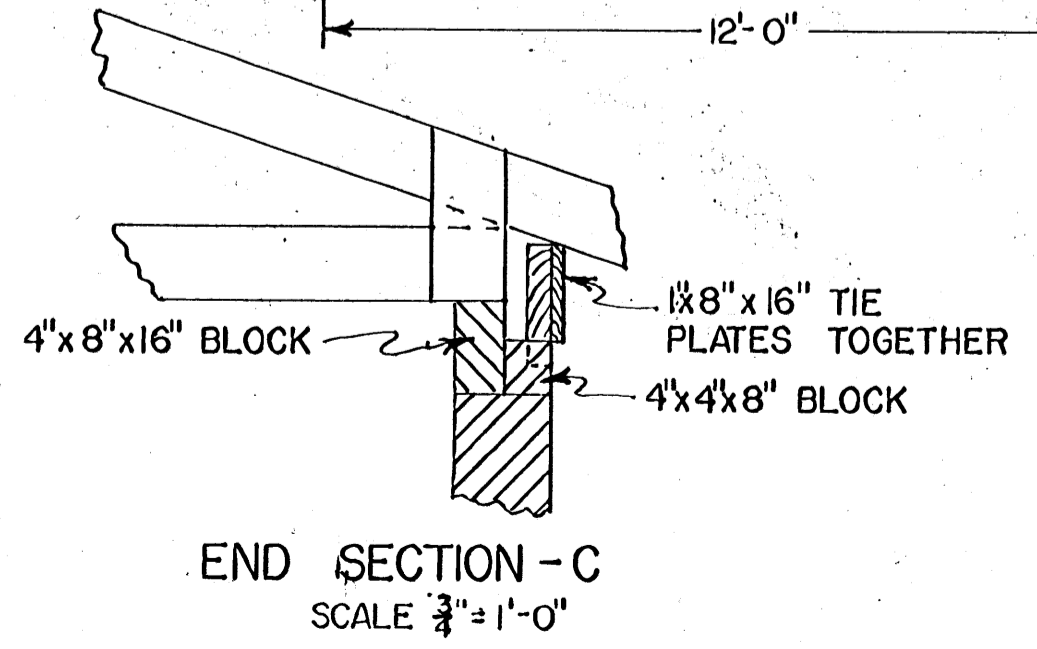
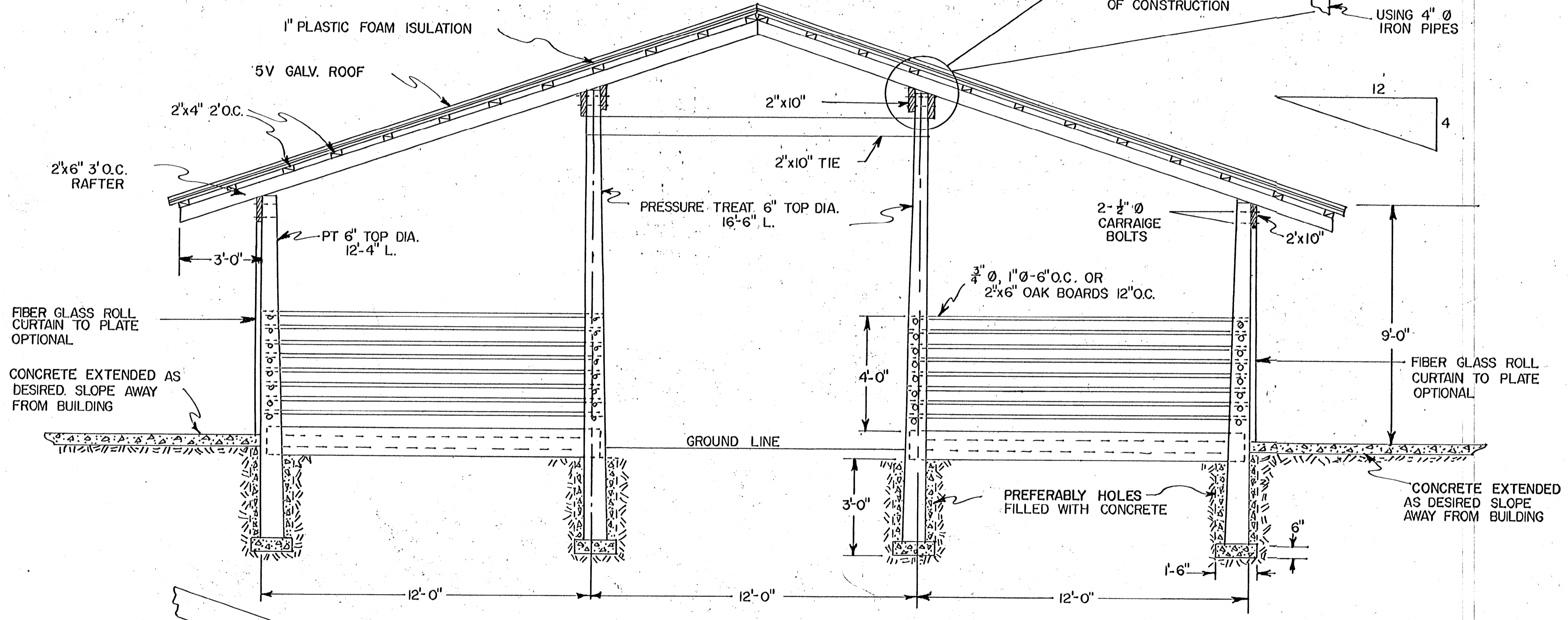
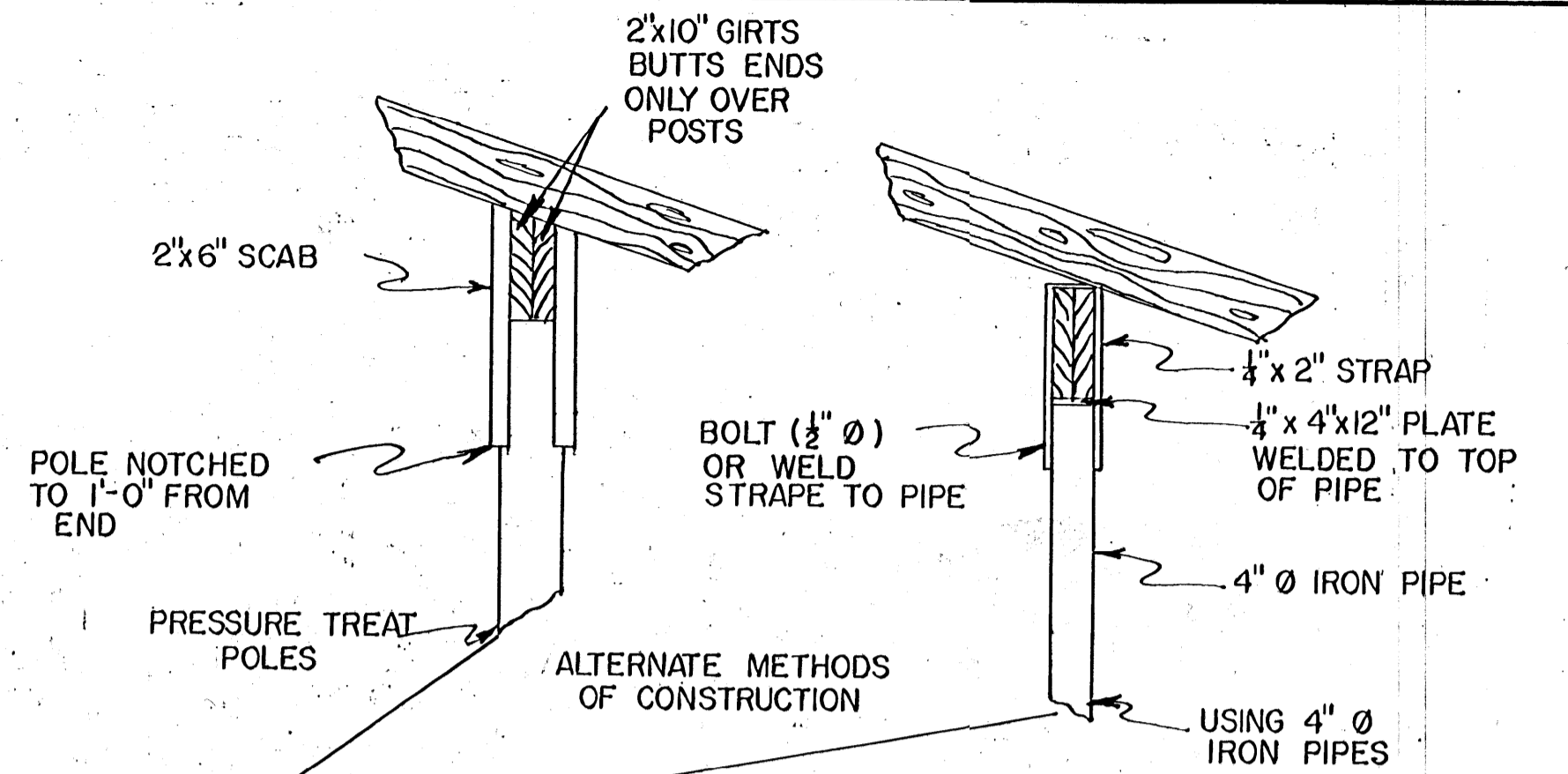
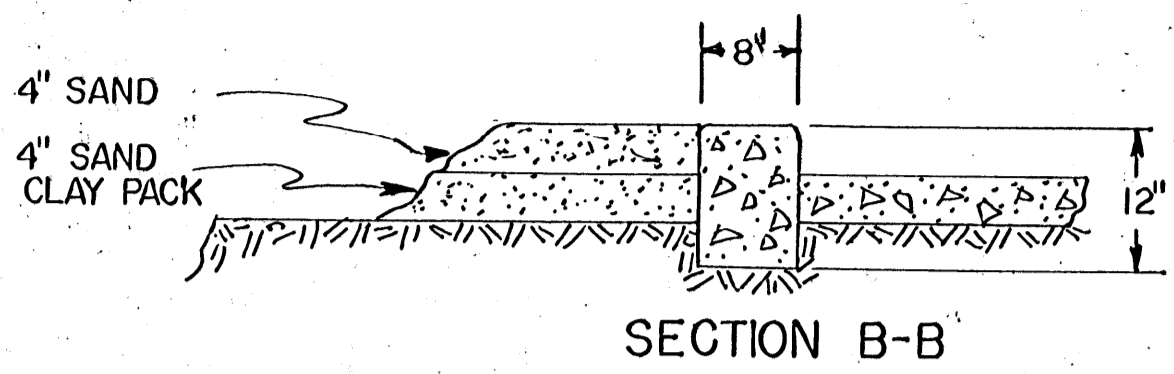


FLOOR PLAN
SCALE 1/4" = 1'-0"

COOPERATIVE EXTENSION WORK IN
AGRICULTURE AND HOME ECONOMICS
STATE OF MISSISSIPPI
MISSISSIPPI STATE UNIVERSITY
AND
UNITED STATES DEPARTMENT OF AGRICULTURE COOPERATING

**BEEF CATTLE FITTING
BARN**

MISS '73	5794-A	SHEET 2 OF 3
----------	--------	--------------



COOPERATIVE EXTENSION WORK IN
 AGRICULTURE AND HOME ECONOMICS
 STATE OF MISSISSIPPI
 MISSISSIPPI STATE UNIVERSITY
 AND
 UNITED STATES DEPARTMENT OF AGRICULTURE COOPERATING

BEEF CATTLE FITTING BARN

MISS '73 5794-A SHEET 3 OF 3