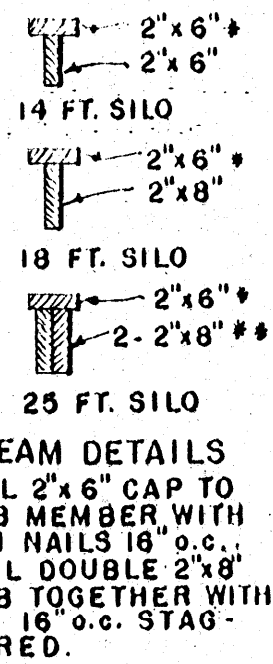
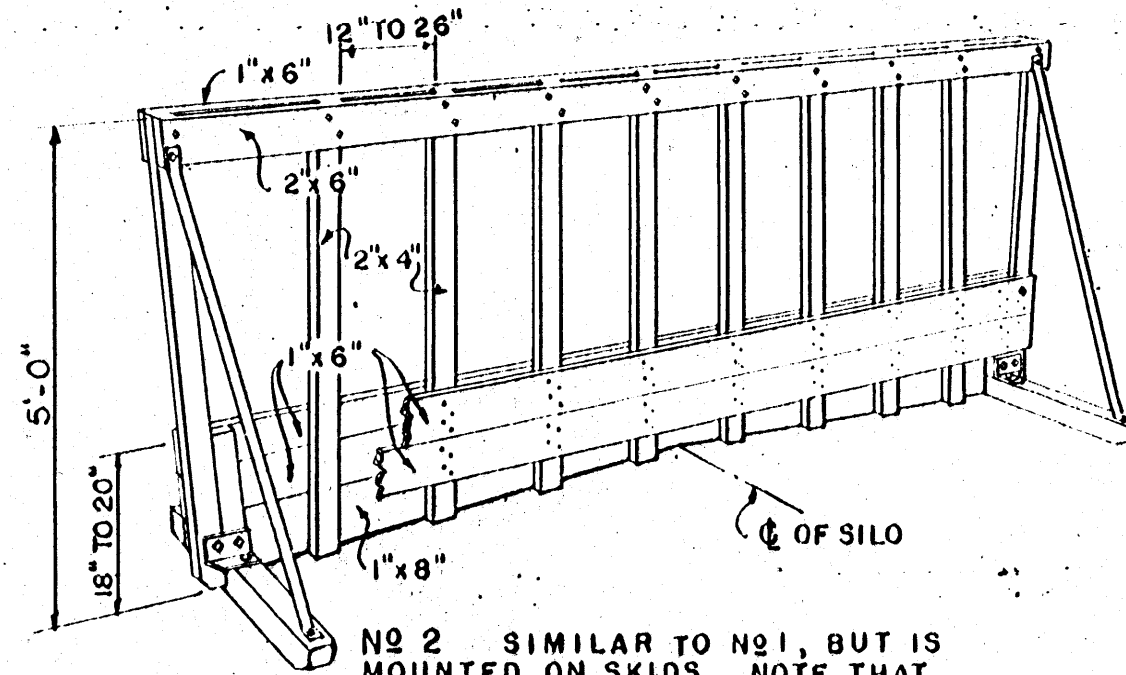


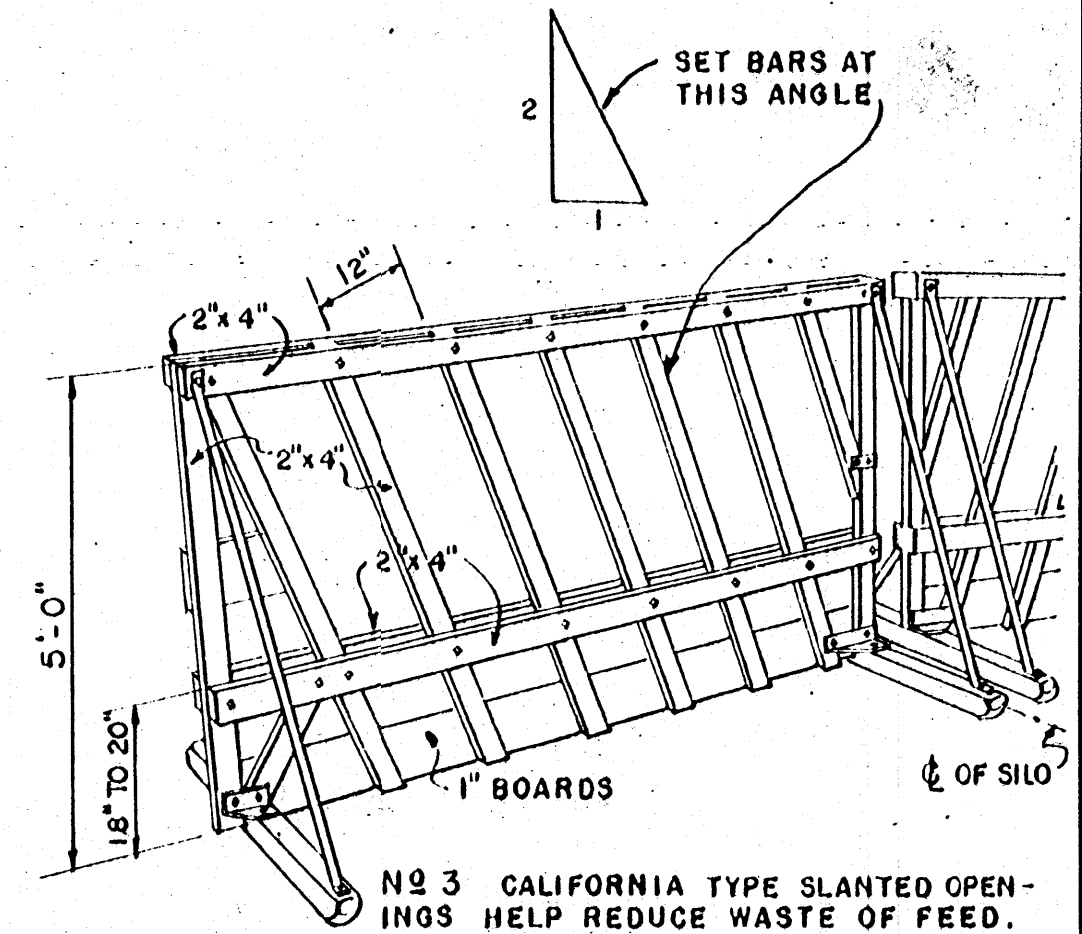
**NO 1** A LIGHT-WEIGHT SUSPENDED FENCE WITH RECTANGULAR OPENINGS. MAY BE USED FOR SILOS OF ANY WIDTH IF AN ADEQUATE BEAM IS PROVIDED. STOPS SHOULD BE PROVIDED TO PREVENT THE CATTLE FROM ADVANCING THE FENCE TOO RAPIDLY.



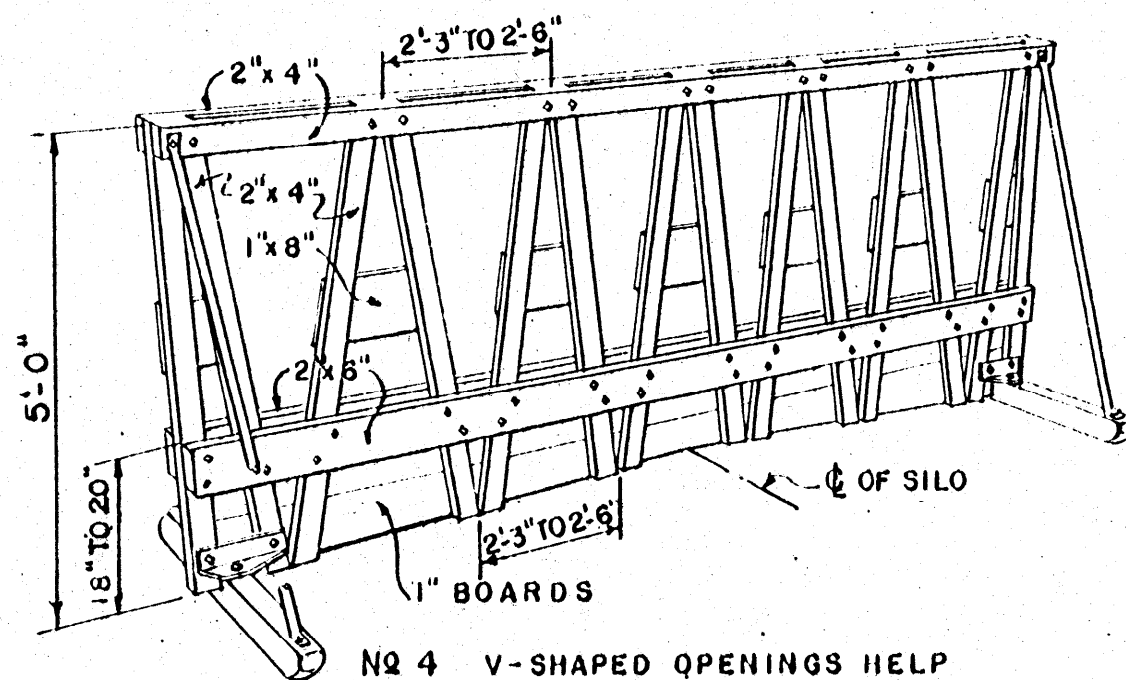
**BEAM DETAILS**  
 \* NAIL 2"x6" CAP TO WEB MEMBER WITH 20d NAILS 16" o.c.  
 \*\* NAIL DOUBLE 2"x8" WEB TOGETHER WITH 10d 16" o.c. STAGGERED.



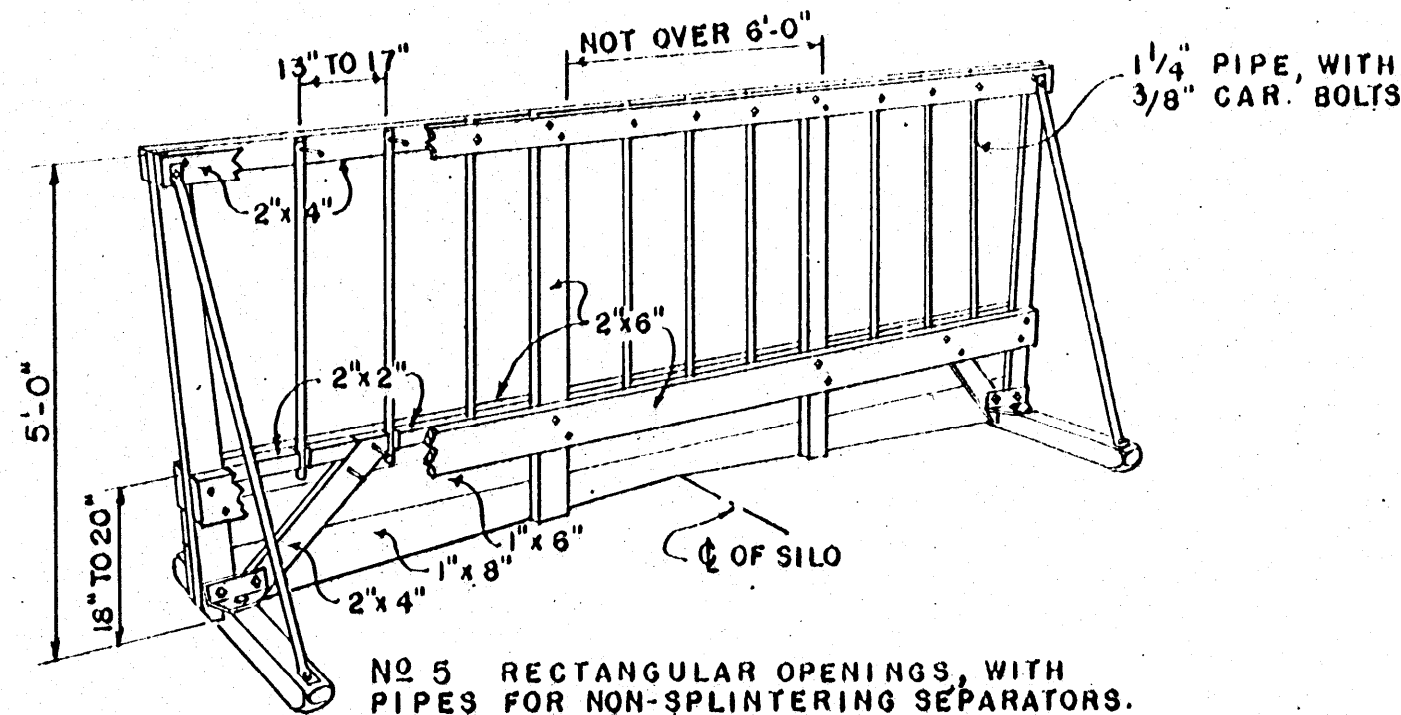
**NO 2** SIMILAR TO NO 1, BUT IS MOUNTED ON SKIDS. NOTE THAT SKIDS NEXT TO SILO WALLS ARE SET IN 3" OR 4" INCHES TO CLEAR GUTTERS.



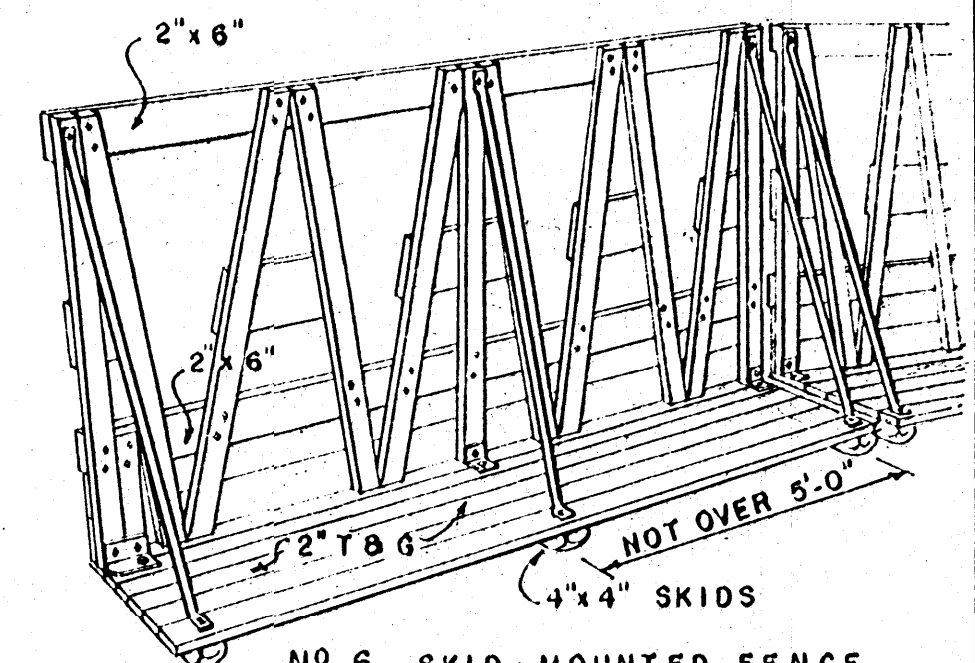
**NO 3** CALIFORNIA TYPE SLANTED OPENINGS HELP REDUCE WASTE OF FEED.



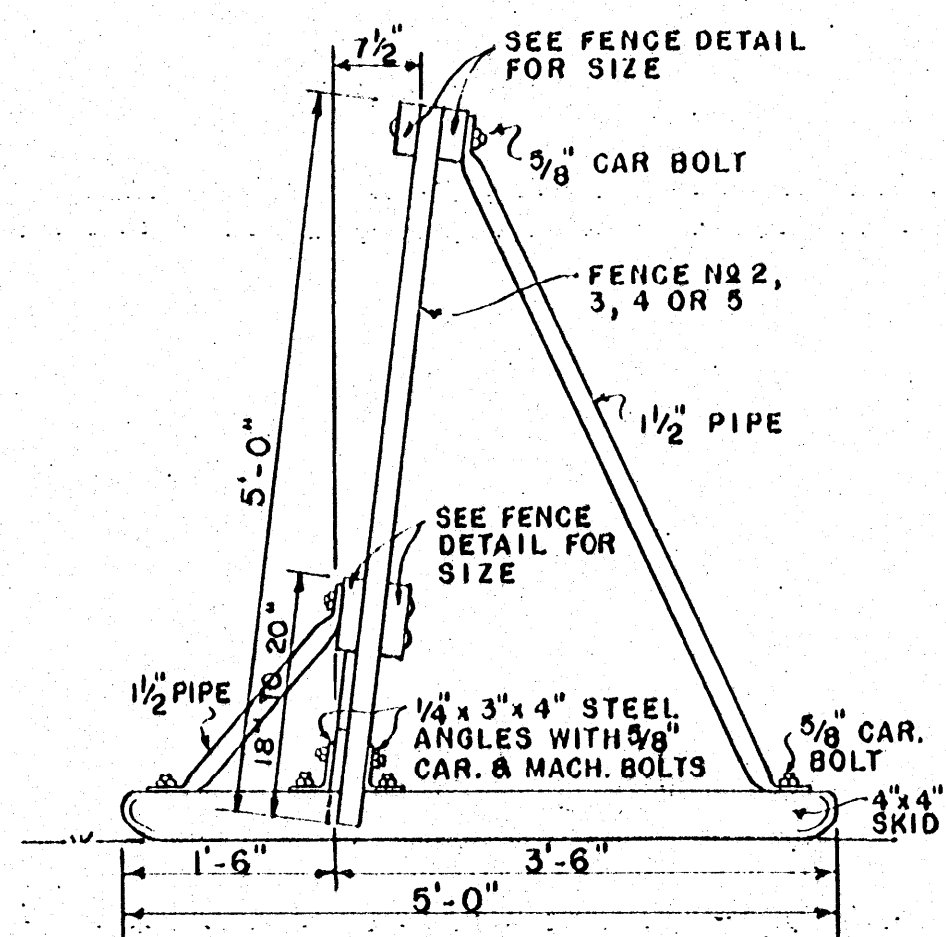
**NO 4** V-SHAPED OPENINGS HELP TO REDUCE WASTE OF FEED.



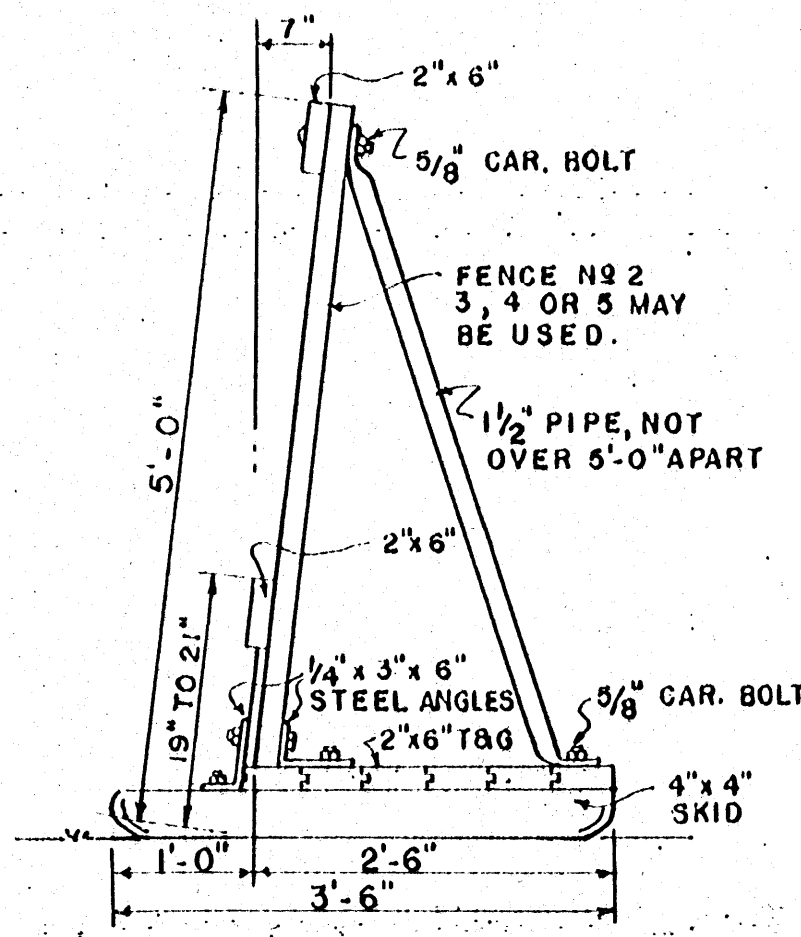
**NO 5** RECTANGULAR OPENINGS, WITH PIPES FOR NON-SPLINTERING SEPARATORS.



**NO 6** SKID-MOUNTED FENCE WITH PLATFORM FOR FOREFEET OF CATTLE.



**NO 7** END VIEW - DETAIL OF FENCES WITHOUT PLATFORM.

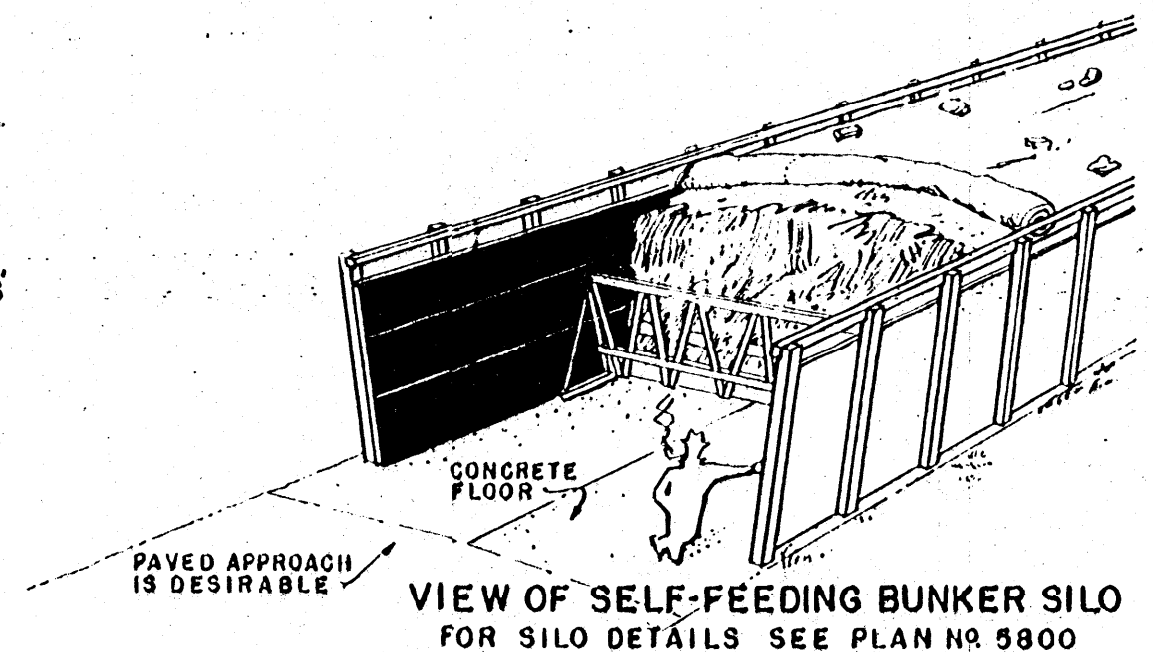


**NO 8** END VIEW - DETAIL OF FENCES WITH PLATFORM

NOTE: EITHER OF THESE DETAILS MAY BE USED WITH ANY OF THE TYPES OF FENCES SHOWN ABOVE.

**GENERAL NOTES**

- A...THE FENCES SHOWN ON THIS PLAN MAY BE ADAPTED FOR USE IN SILOS OF ANY WIDTH, AND MAY BE MOUNTED ON SKIDS OR SUSPENDED FROM A BEAM SUPPORTED ON THE SILO WALLS AS SHOWN IN NO. 1. WHEN MOUNTED ON SKIDS, THEY MAY BE BUILT IN ONE OR TWO SECTIONS BUT A SINGLE SECTION SHOULD NOT EXCEED 16 FT. IN LENGTH. THE PLATFORM TYPE SHOWN IN NO. 6 PROVIDES GREATER STABILITY AND PREVENTS THE CATTLE FROM PUSHING THE FENCE.
- B...THE SHAPE OF THE FENCE SHOULD CONFORM TO THE SHAPE OF THE SILO WITH CLEARANCE OF ABOUT 3" FROM WALLS, 1" FROM FLOOR AND 6" BETWEEN SECTIONS.
- C...FOR GREATER DURABILITY, USE DRY WOOD AND SOAK PARTS FOR 15 MIN. IN WOOD PRESERVATIVE AFTER CUTTING.
- D...DETAILS, NO. 7 & 8 SHOW THE FENCE INCLINED TOWARD THE CATTLE. THIS REDUCES THE TENDENCY TO EAT ONLY FROM THE UPPER PART OF THE STACK AND INCREASES THE STABILITY OF THE FENCE.
- E...THE WALLS OF SELF FEEDING SILOS SHOULD NOT BE OVER 8 FEET HIGH.



**VIEW OF SELF-FEEDING BUNKER SILO**  
 FOR SILO DETAILS SEE PLAN NO 5800

COOPERATIVE EXTENSION WORK IN  
 AGRICULTURE AND HOME ECONOMICS  
 STATE OF MISSISSIPPI  
 MISSISSIPPI STATE UNIVERSITY  
 AND  
 UNITED STATES DEPARTMENT OF AGRICULTURE COOPERATING

**SELF-FEEDING FENCES**  
 FOR BUNKER OR TRENCH SILOS