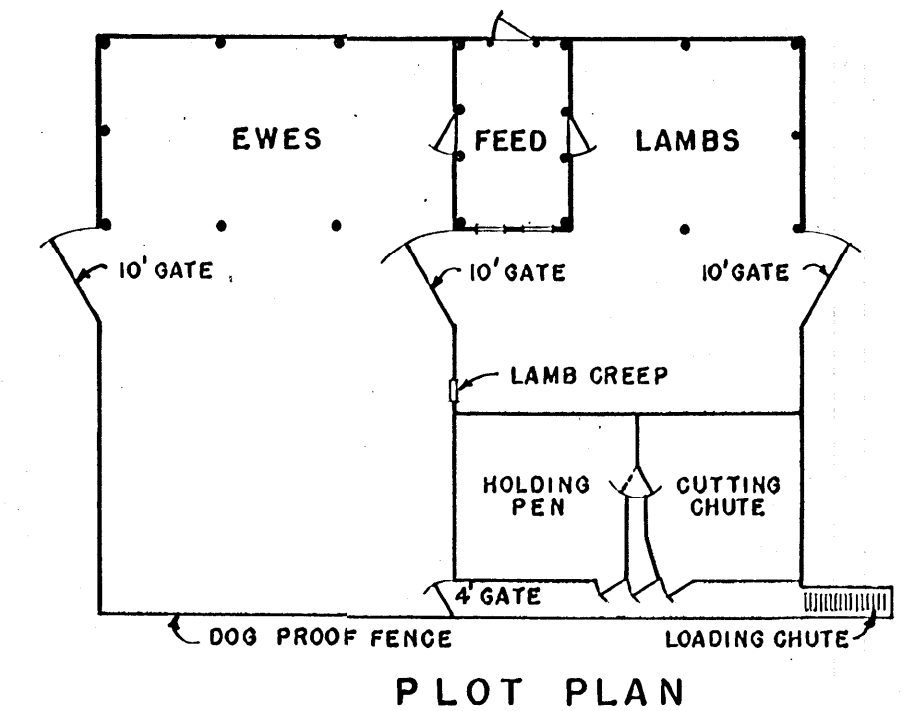
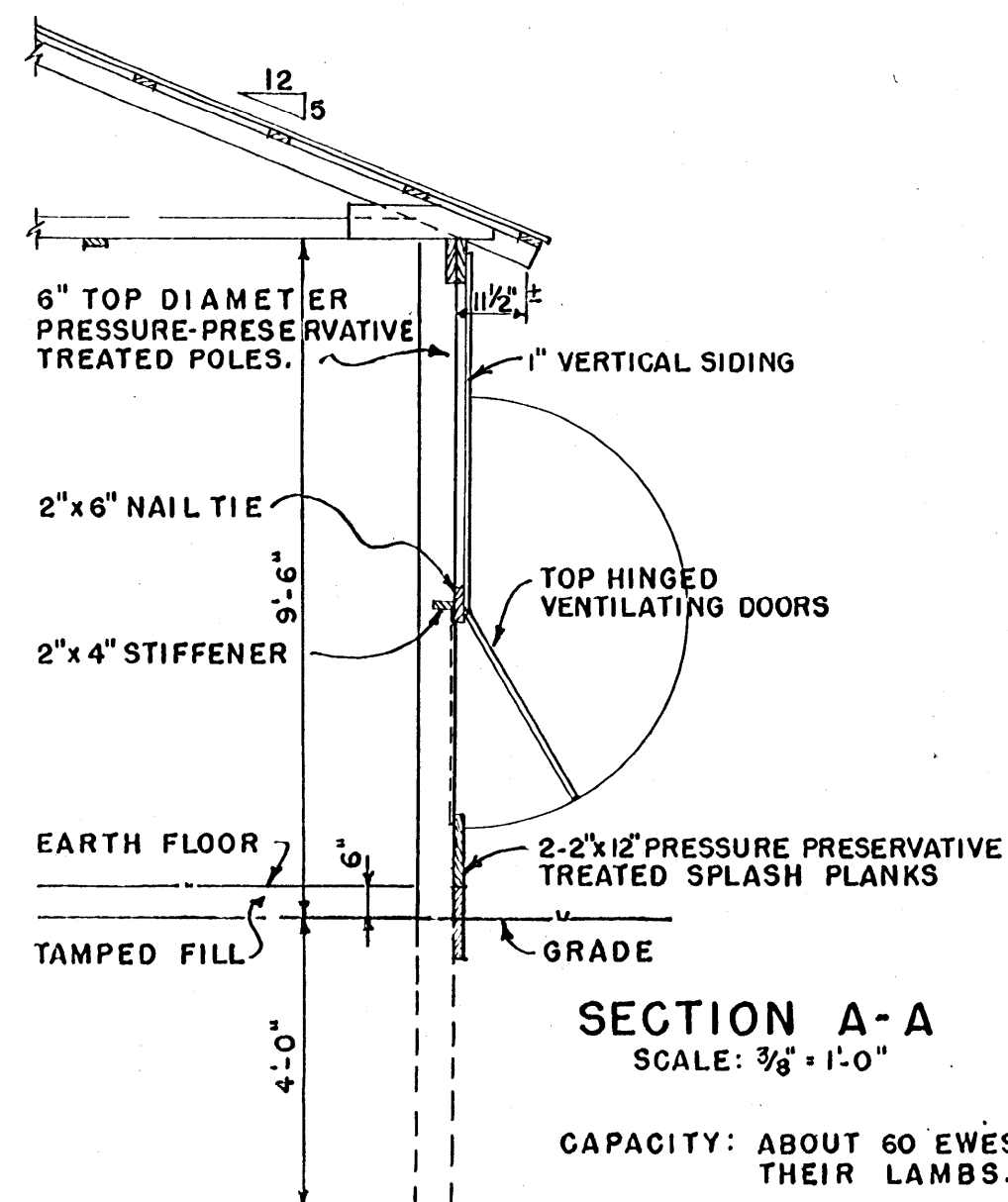
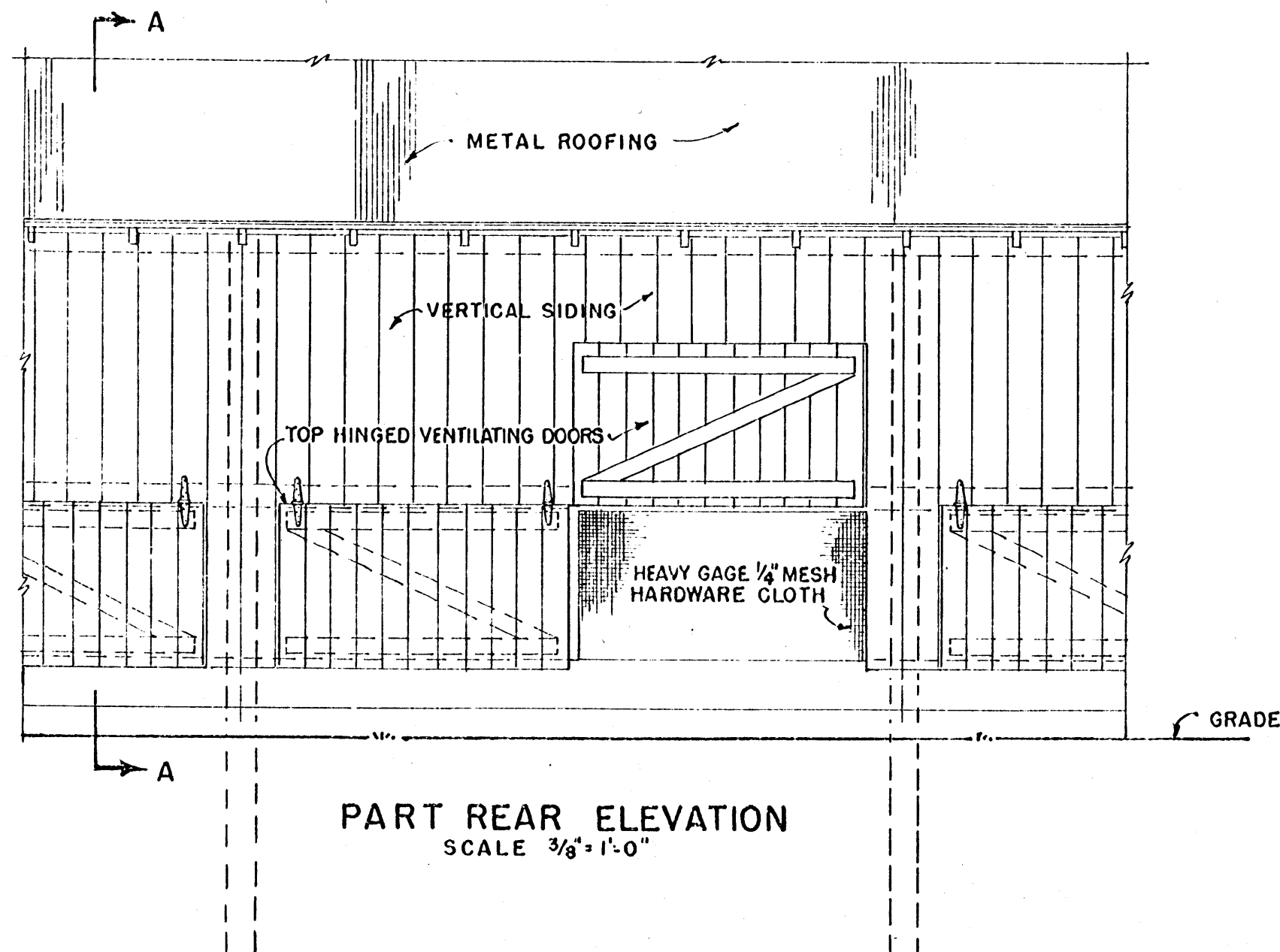
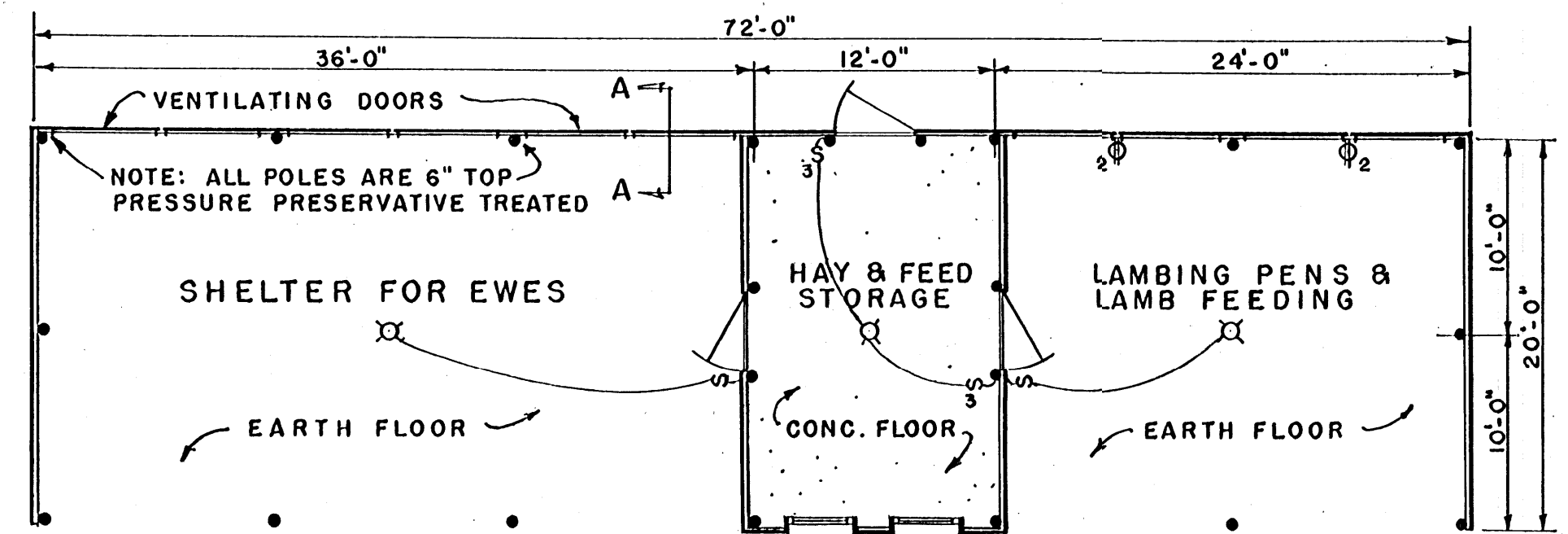
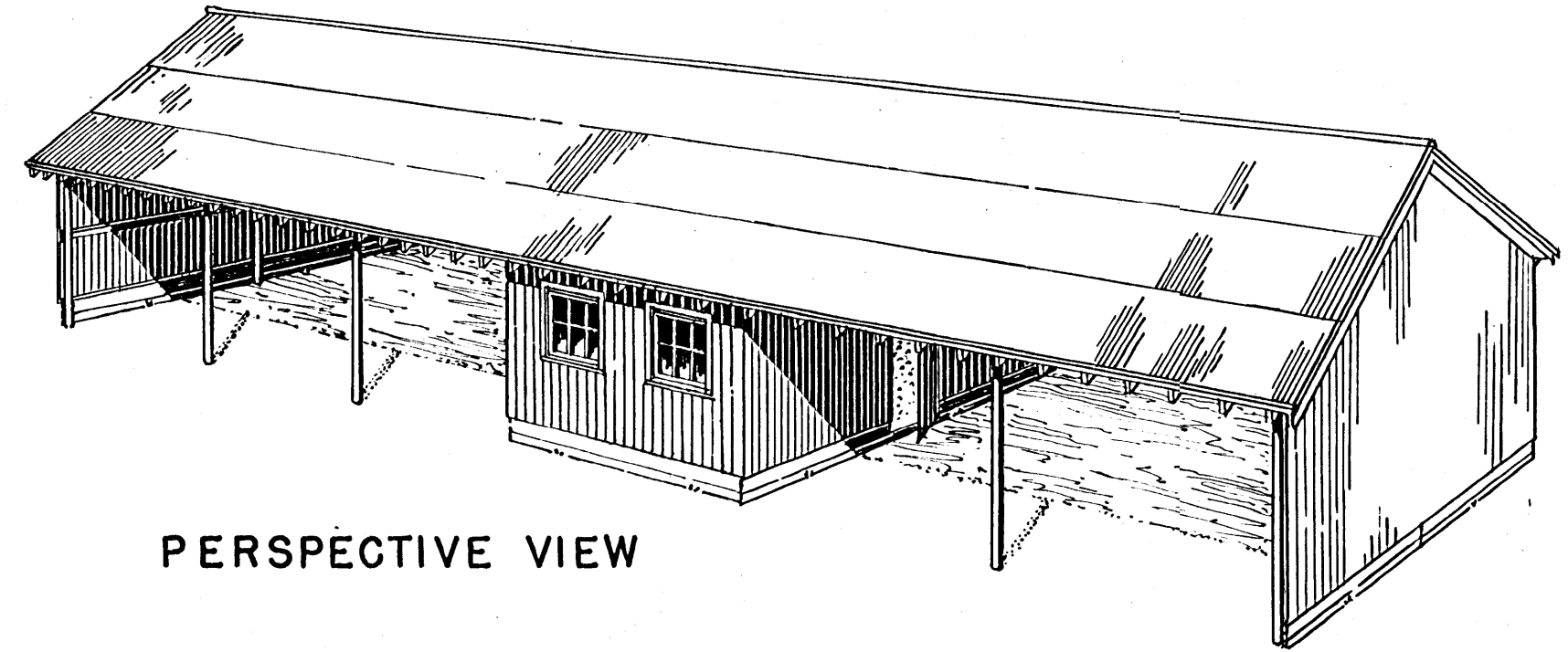
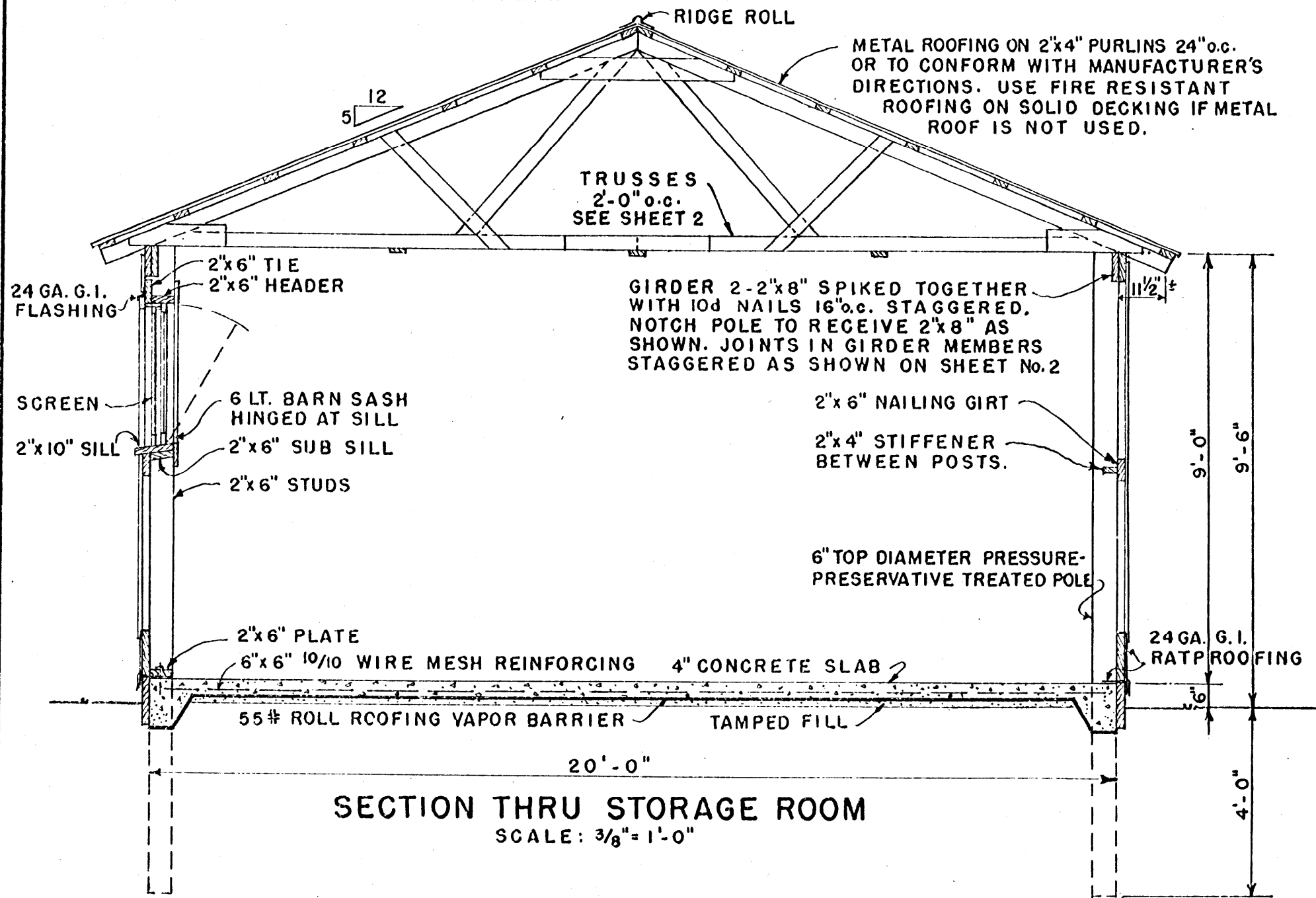


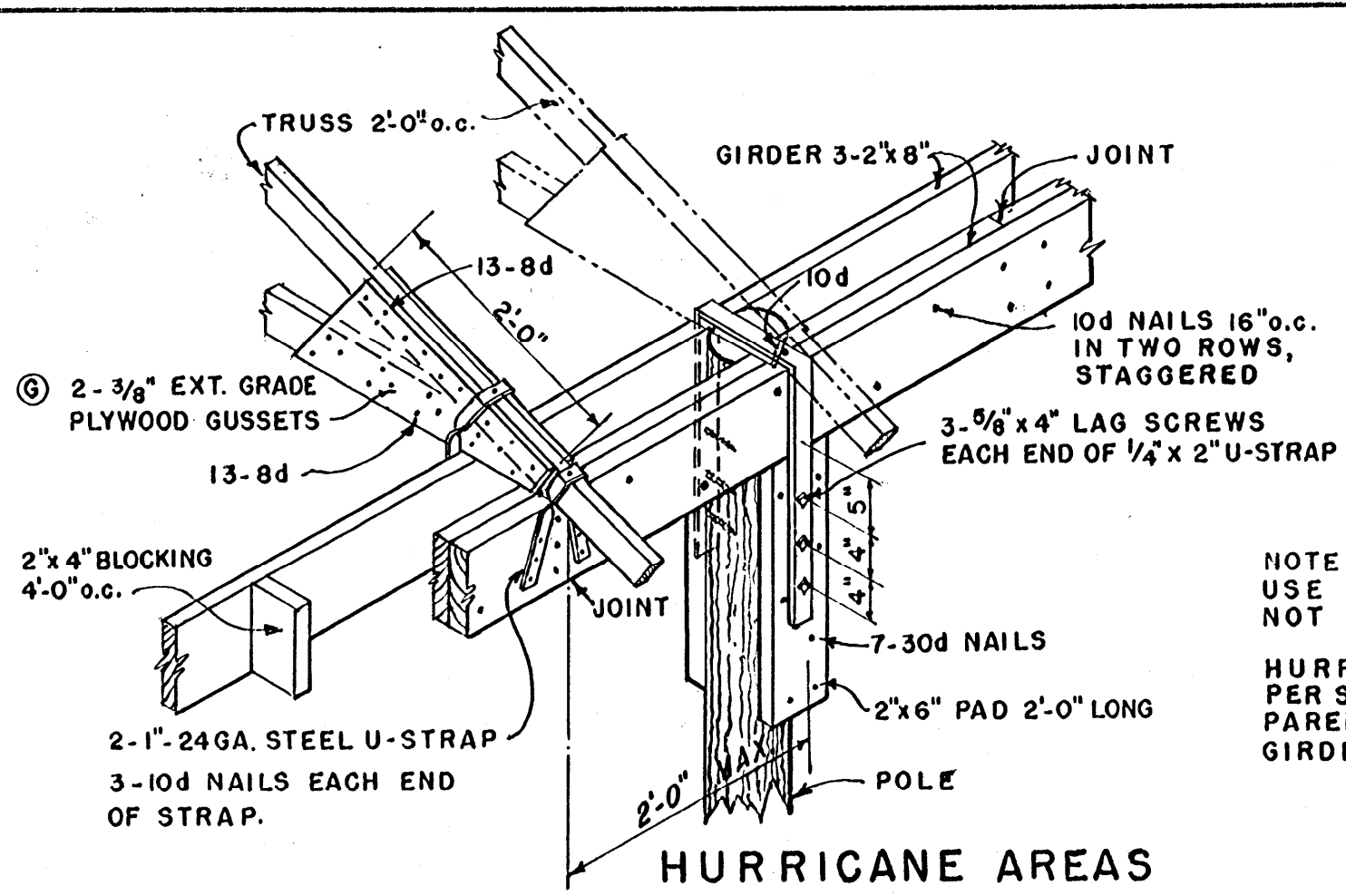
NOTE:- PARTITIONS TO EXTEND TO BOTTOM CHORD OF TRUSSES. TRUSS FACE ABOVE PARTITIONS TO BE ENCLOSED WITH 1/4" MESH HARDWARE CLOTH.



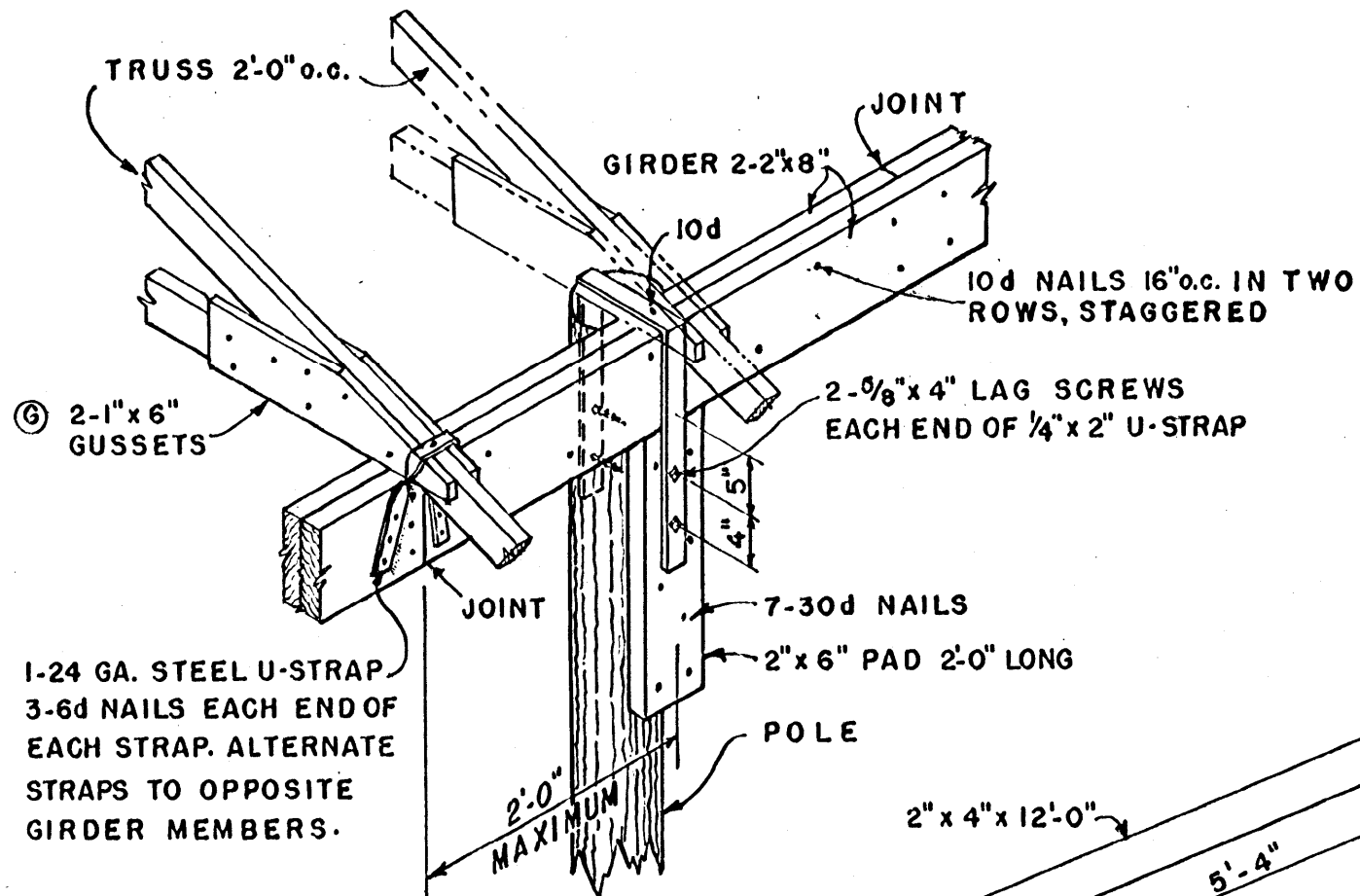
COOPERATIVE EXTENSION WORK IN  
AGRICULTURE AND HOME ECONOMICS  
STATE OF MISSISSIPPI  
MISSISSIPPI STATE UNIVERSITY  
AND  
UNITED STATES DEPARTMENT OF AGRICULTURE COOPERATING

**SHEEP SHED**

USDA '55 EX. 5811 SHEET 1 OF 2

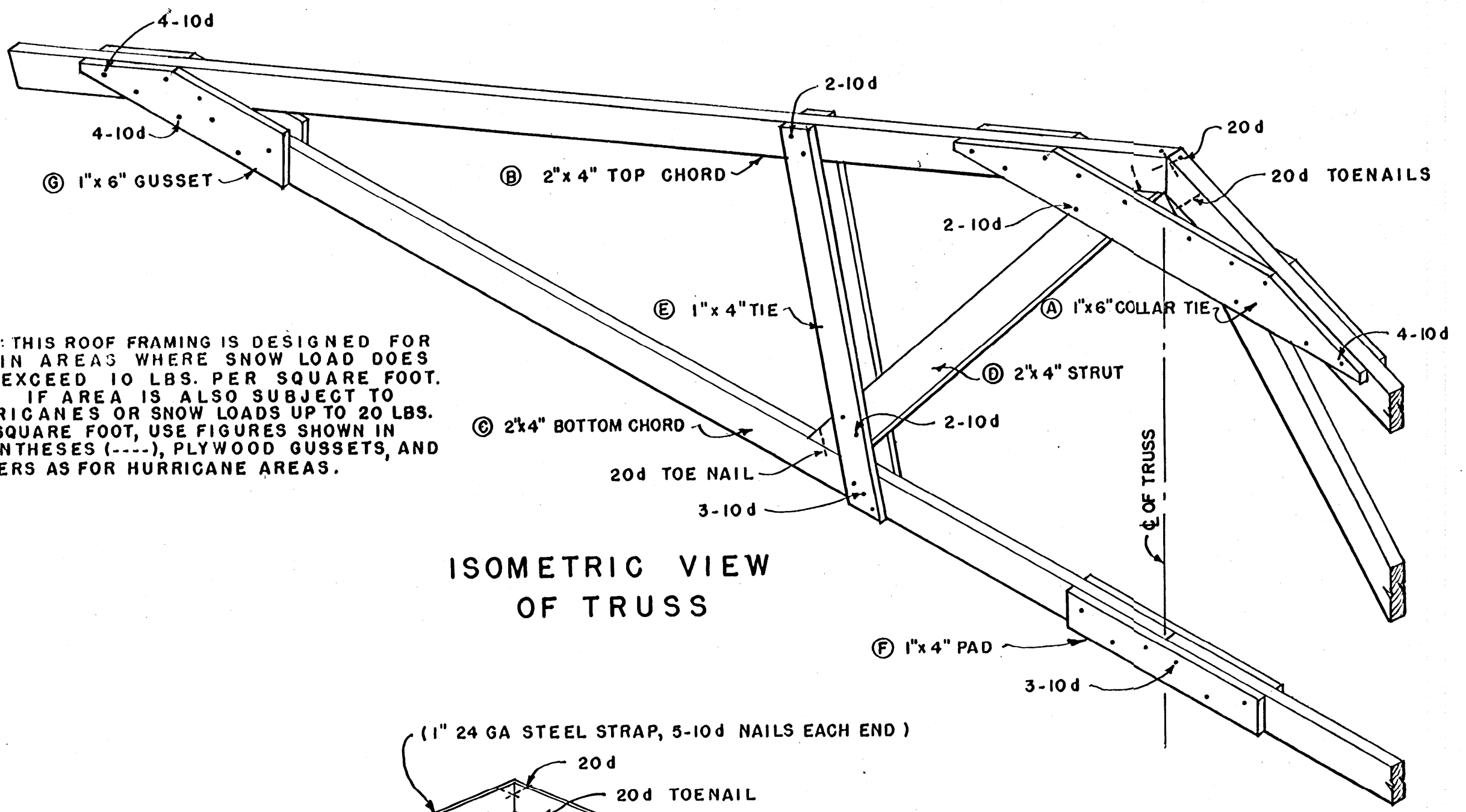


HURRICANE AREAS

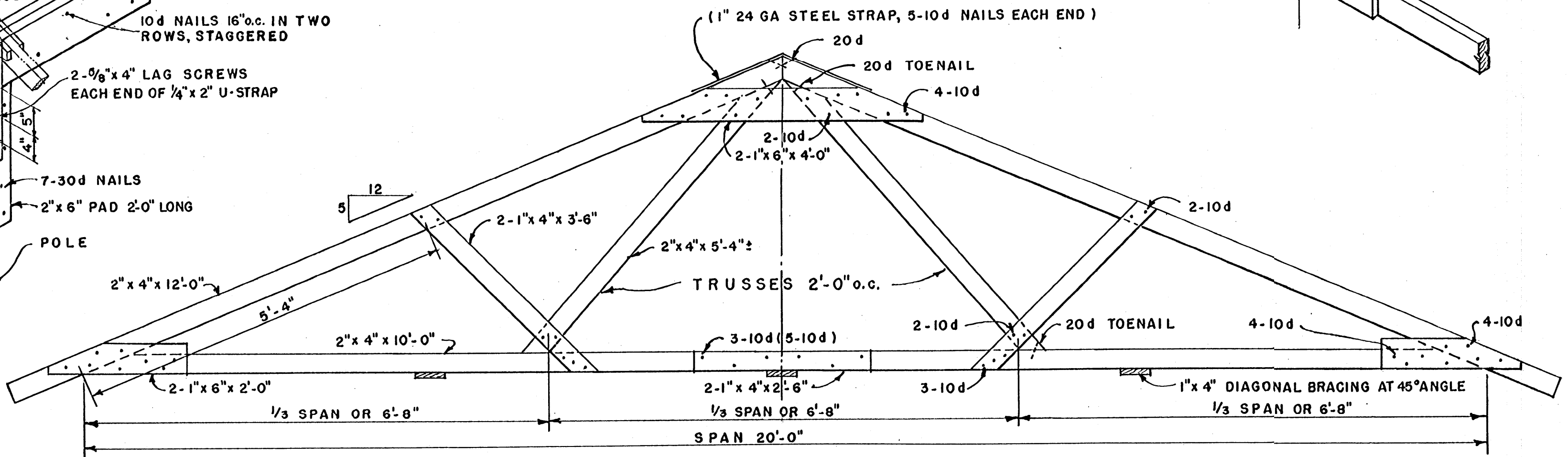


NORMAL AREAS

NOTE: THIS ROOF FRAMING IS DESIGNED FOR USE IN AREAS WHERE SNOW LOAD DOES NOT EXCEED 10 LBS. PER SQUARE FOOT. IF AREA IS ALSO SUBJECT TO HURRICANES OR SNOW LOADS UP TO 20 LBS. PER SQUARE FOOT, USE FIGURES SHOWN IN PARENTHESES (---), PLYWOOD GUSSETS, AND GIRDERS AS FOR HURRICANE AREAS.



ISOMETRIC VIEW OF TRUSS



TRUSS DETAIL  
SCALE 3/4" = 1'-0"

NOTE: THE 10d NAILS USED IN TRUSS ASSEMBLY MAY ALL BE DRIVEN FROM ONE SIDE.

LIST OF MATERIALS				
THIS LIST OF MATERIALS IS PREPARED FOR ESTIMATING PURPOSES, IF USED FOR THE PURCHASE OF MATERIALS, THE QUANTITIES SHOULD BE VERIFIED BY THE BUILDER.				
ITEM	NORMAL AREAS		HURRICANE AREAS	
	SIZE	PCS.	SIZE	PCS.
TRUSSES (TOTAL 37)				
(A) COLLAR TIE	1" x 6" x 8'-0"	37	1" x 6" x 8'-0"	37
(B) TOP CHORD	2" x 4" x 12'-0"	74	2" x 4" x 12'-0"	74
(C) BOTTOM CHORD	2" x 4" x 10'-0"	74	2" x 4" x 10'-0"	74
(D) STRUT	2" x 4" x 12'-0"	37	2" x 4" x 12'-0"	37
(E) TIE	1" x 4" x 14'-0"	37	1" x 4" x 14'-0"	37
(F) PAD	1" x 4" x 10'-0"	19	1" x 4" x 10'-0"	19
(G) GUSSET	1" x 6" x 8'-0"	37	4'-0" x 8'-0" x 3/8" EXT. PLY.	8

ITEM	NORMAL AREAS	HURRICANE AREAS
POLES (PRESSURE TREAT.)	14'-0" LONG --- 22	14'-0" LONG --- 22
DIAGONAL BRACING	1" x 4" 410 LIN. FT.	1" x 4" 410 LIN. FT.
NAILING GIRTS, STUDS, PLATE, TIE, HEADER, & SUB-SILL.	2" x 6" x 8'-0" --- 9 2" x 6" x 10'-0" --- 8 2" x 6" x 12'-0" --- 9 2" x 6" x 14'-0" --- 1	2" x 6" x 8'-0" --- 9 2" x 6" x 10'-0" --- 8 2" x 6" x 12'-0" --- 9 2" x 6" x 14'-0" --- 1
STIFFENER, BLOCKING, PURLINS	2" x 4" x 8'-0" --- 7 2" x 4" x 10'-0" --- 6 2" x 4" x 12'-0" --- 61 2" x 4" x 14'-0" --- 28	2" x 4" x 8'-0" --- 10 2" x 4" x 10'-0" --- 6 2" x 4" x 12'-0" --- 61 2" x 4" x 14'-0" --- 28
SPLASH BOARDS (PRESSURE-TREATED)	2" x 12" x 8'-0" --- 8 2" x 12" x 10'-0" --- 8 2" x 12" x 12'-0" --- 11 2" x 12" x 14'-0" --- 3	2" x 12" x 8'-0" --- 8 2" x 12" x 10'-0" --- 8 2" x 12" x 12'-0" --- 11 2" x 6" x 14'-0" --- 3
GIRDERS	2" x 8" x 12'-0" --- 24	2" x 8" x 12'-0" --- 36
WOOD SILL	2" x 10" x 8'-0" --- 1	2" x 10" x 8'-0" --- 1
VERGE BOARDS	1" x 4" x 12'-0" --- 4	1" x 4" x 12'-0" --- 4

ITEM	QUANTITY
SIDING, DOORS & CASING: 1762 BM 1" BOARDS OR 14 SQS. OF METAL SIDING.	
ROOF SHEATHING: 2132 BM 1" T&G BOARDS (FOR COMPOSITION ROOF)	
ROOFING: 18 SQUARES - 74' RIDGE CAP	
WINDOWS: 2-6 LT. BARN SASH	
HARDWARE: 15 PR. 6" STRAP HINGES, 3 BARREL BOLTS, 10-3" HOOKS, 20 EYES, GUTTERS, DOWNSPOUTS, STRAPS, NAILS & PAINT.	
CONCRETE: (1:2 1/2:3 1/2) MIX = 5 CU. YD. OR 30 SACKS OF CEMENT 2 1/2 CU. YD. OF SAND & 3 1/2 CU. YD. OF GRAVEL	
REINFORCING MESH: 6" x 6" x 10/10 WIRE - 6" LAP - 60 LIN. FT.	
VAPOR BARRIER: 55# ROLL ROOFING - 3 ROLLS	
SCREENING: 1/4" MESH HARDWARE CLOTH 36" WIDTH - 115 FT.	
FLASHING & RATPROOFING: 24 GA. GALV. STEEL 26" WIDTH - 69 FT.	

COOPERATIVE EXTENSION WORK IN AGRICULTURE AND HOME ECONOMICS  
STATE OF MISSISSIPPI  
MISSISSIPPI STATE UNIVERSITY  
UNITED STATES DEPARTMENT OF AGRICULTURE COOPERATING

**SHEEP SHED**

USDA '55 EX. 5811 SHEET 2 OF 2