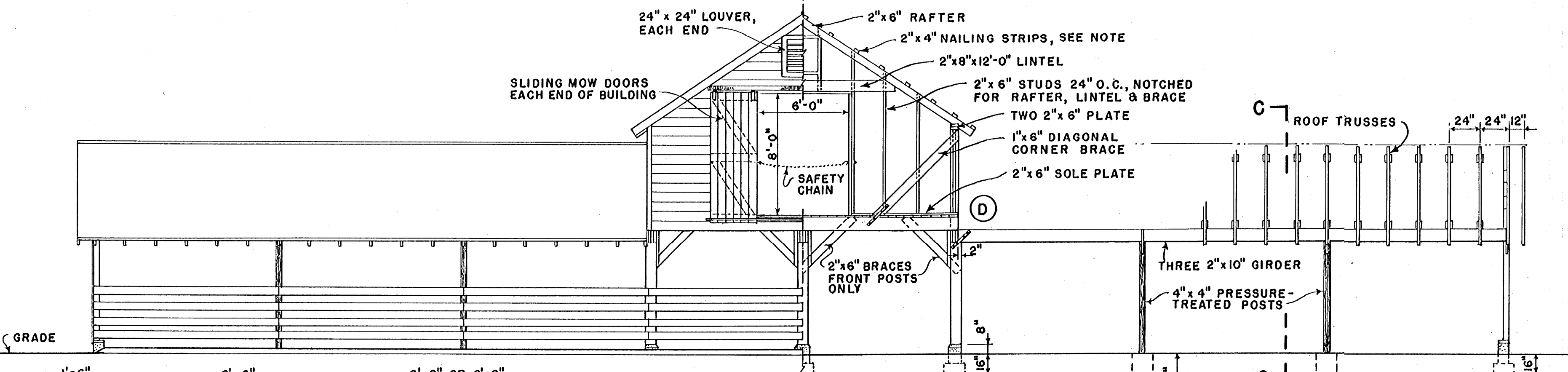


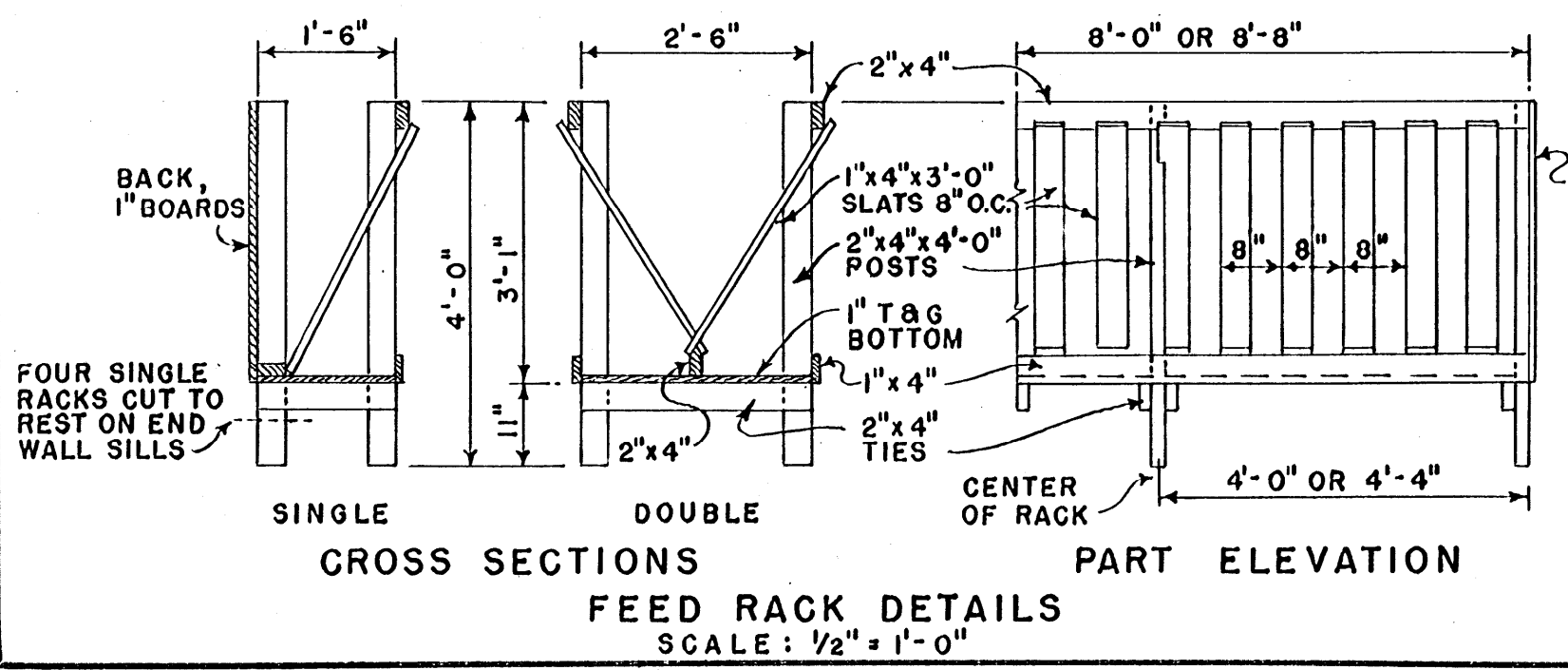
ARRANGEMENT PLAN FOUNDATION

SCALE: 3/16" = 1'-0"



SOUTH ELEVATION

CUT AWAY TO SHOW FRAMING  
SCALE: 3/16" = 1'-0"



CROSS SECTIONS PART ELEVATION  
FEED RACK DETAILS  
SCALE: 1/2" = 1'-0"

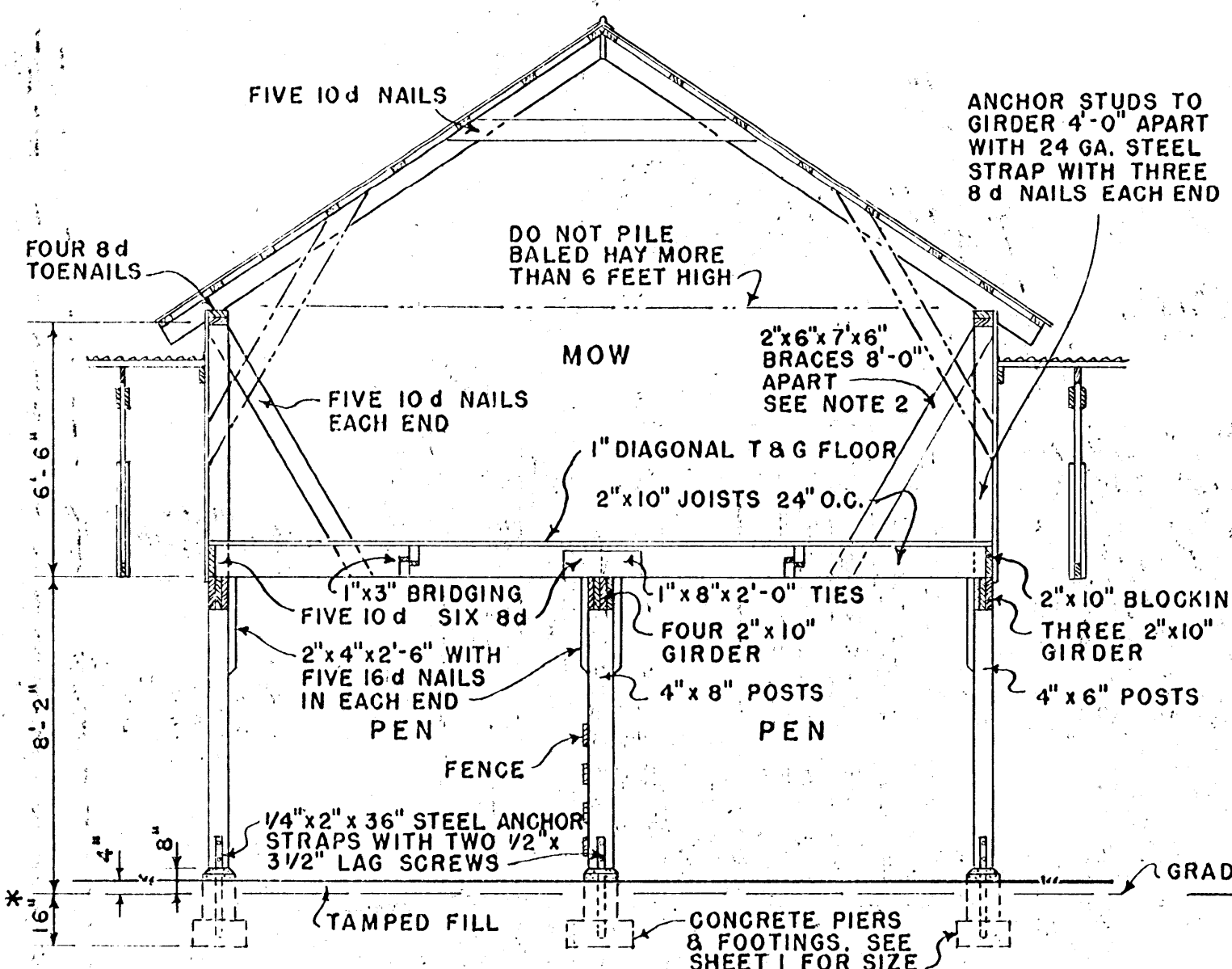
THIS BUILDING IS DESIGNED FOR USE IN AREAS WHERE THE SNOW LOAD DOES NOT EXCEED 20 POUNDS PER SQUARE FOOT, AND WINDS ARE NOT ABOVE 76 MILES PER HOUR.

COOPERATIVE EXTENSION WORK IN AGRICULTURE AND HOME ECONOMICS  
STATE OF MISSISSIPPI  
MISSISSIPPI STATE UNIVERSITY  
AND  
UNITED STATES DEPARTMENT OF AGRICULTURE COOPERATING

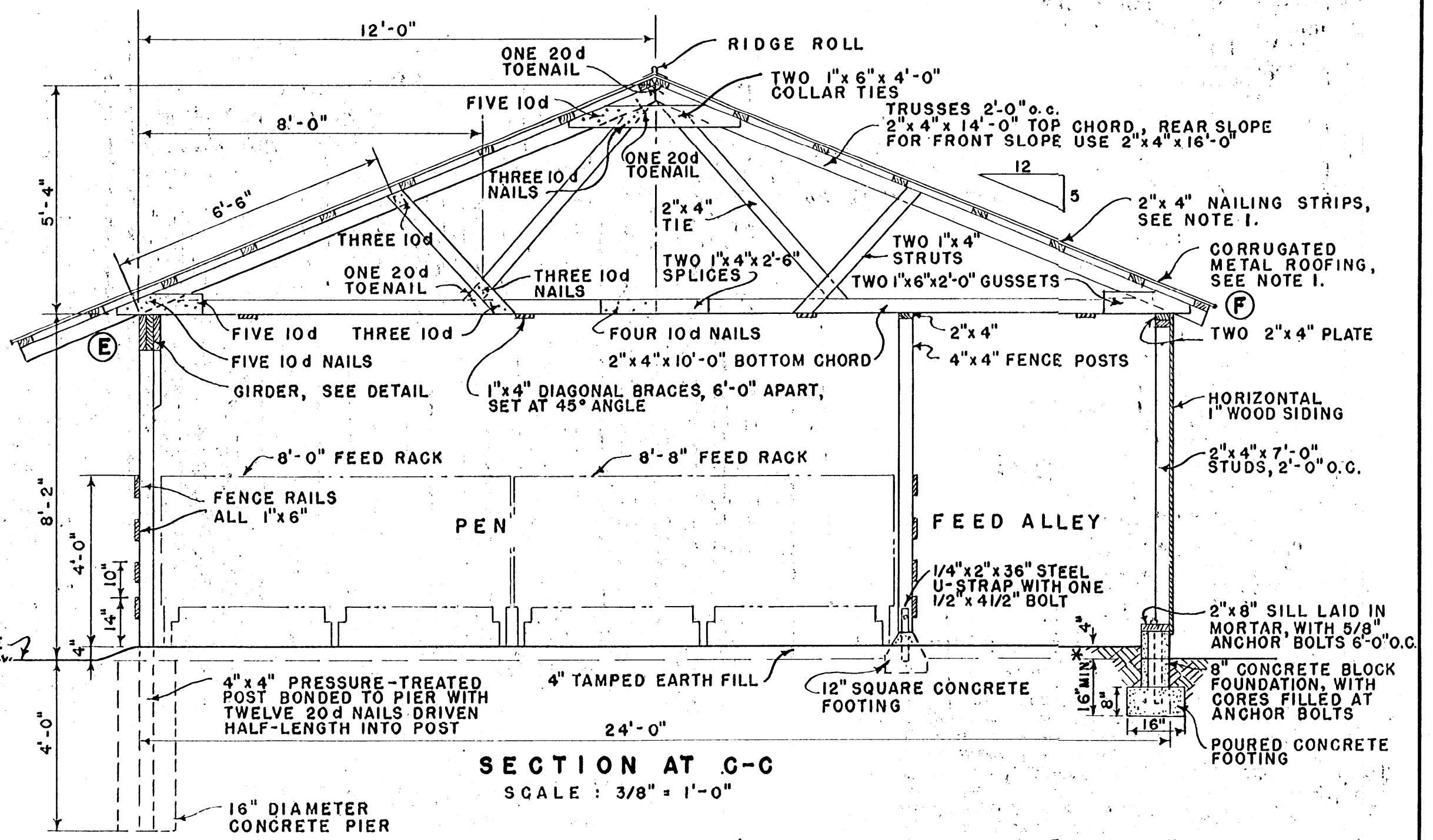
**SHEEP SHED**

USDA '55	EX. 5813	SHEET 1 OF 2
----------	----------	--------------

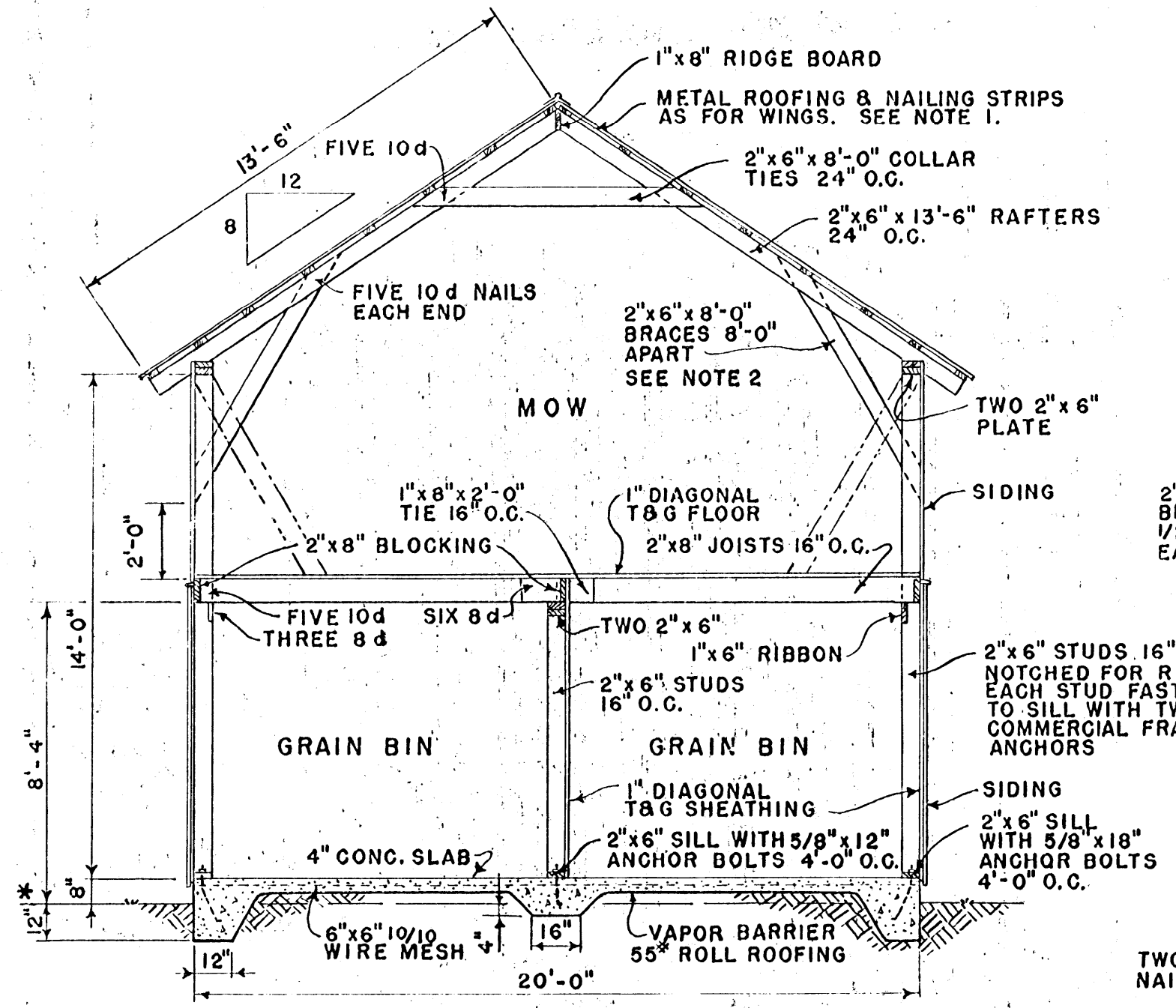
BASED ON PLAN EX. 5573



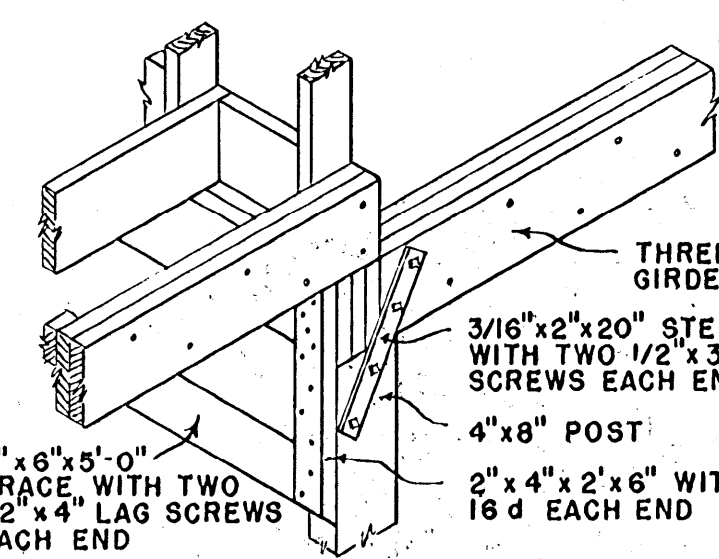
SECTION AT A-A



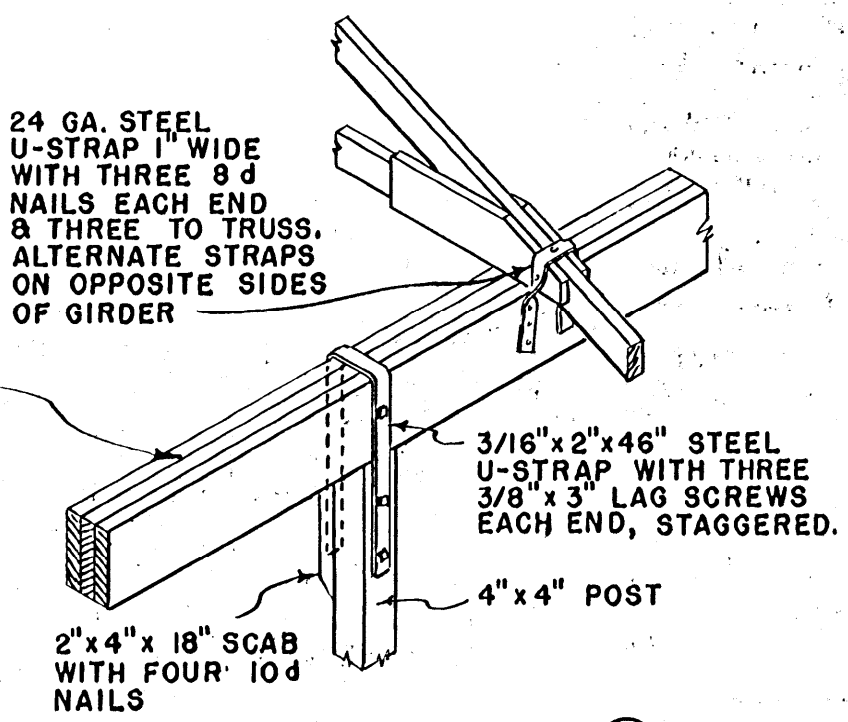
SECTION AT C-C  
SCALE: 3/8" = 1'-0"



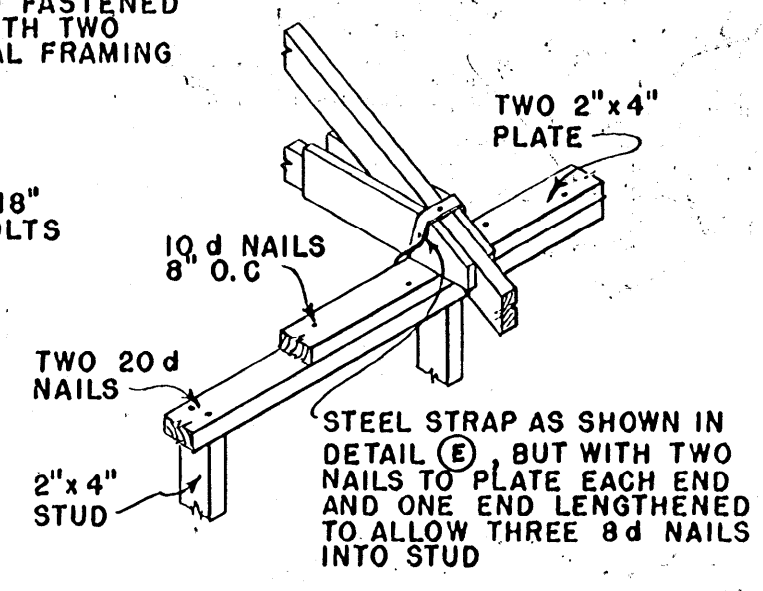
SECTION AT B-B  
SCALE: 1/4" = 1'-0"



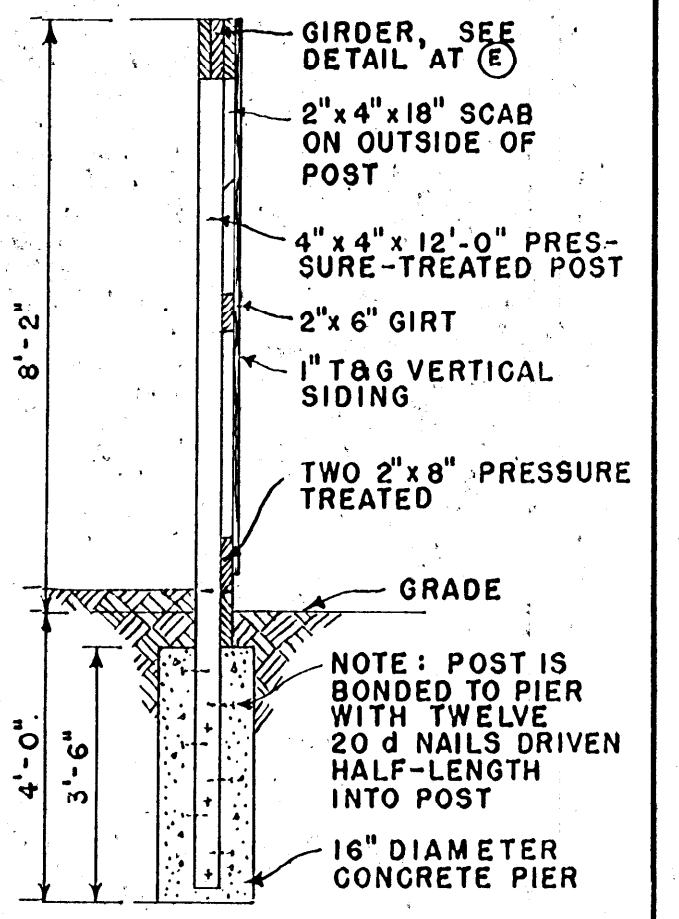
DETAIL AT D



DETAIL AT E  
SEE NOTE 3



DETAIL AT F  
SEE NOTE 3



ALTERNATE CONSTRUCTION  
(FOR REAR AND END WALLS ONE-STORY WINGS, ONLY)

- NOTES
- CORRUGATED METAL ROOFING ON 2'x4" NAILING STRIPS SPACED 24" O.C. OR AS SPECIFIED BY ROOFING MANUFACTURER.
  - FLOOR TO WALL BRACES ARE LOCATED MIDWAY BETWEEN WALL TO ROOF BRACES.
  - COMMERCIAL FRAMING ANCHORS MAY BE USED TO ANCHOR TRUSSES IN PLACE OF STRAPS SHOWN. APPLY AS DIRECTED BY MANUFACTURER.
  - \* FOOTINGS TO BEAR ON FIRM SOIL BELOW FROST LINE.

COOPERATIVE EXTENSION WORK IN  
AGRICULTURE AND HOME ECONOMICS  
STATE OF MISSISSIPPI  
MISSISSIPPI STATE UNIVERSITY  
AND  
UNITED STATES DEPARTMENT OF AGRICULTURE COOPERATING

**SHEEP SHED**

USDA '55 EX. 5813 SHEET 2 OF 2