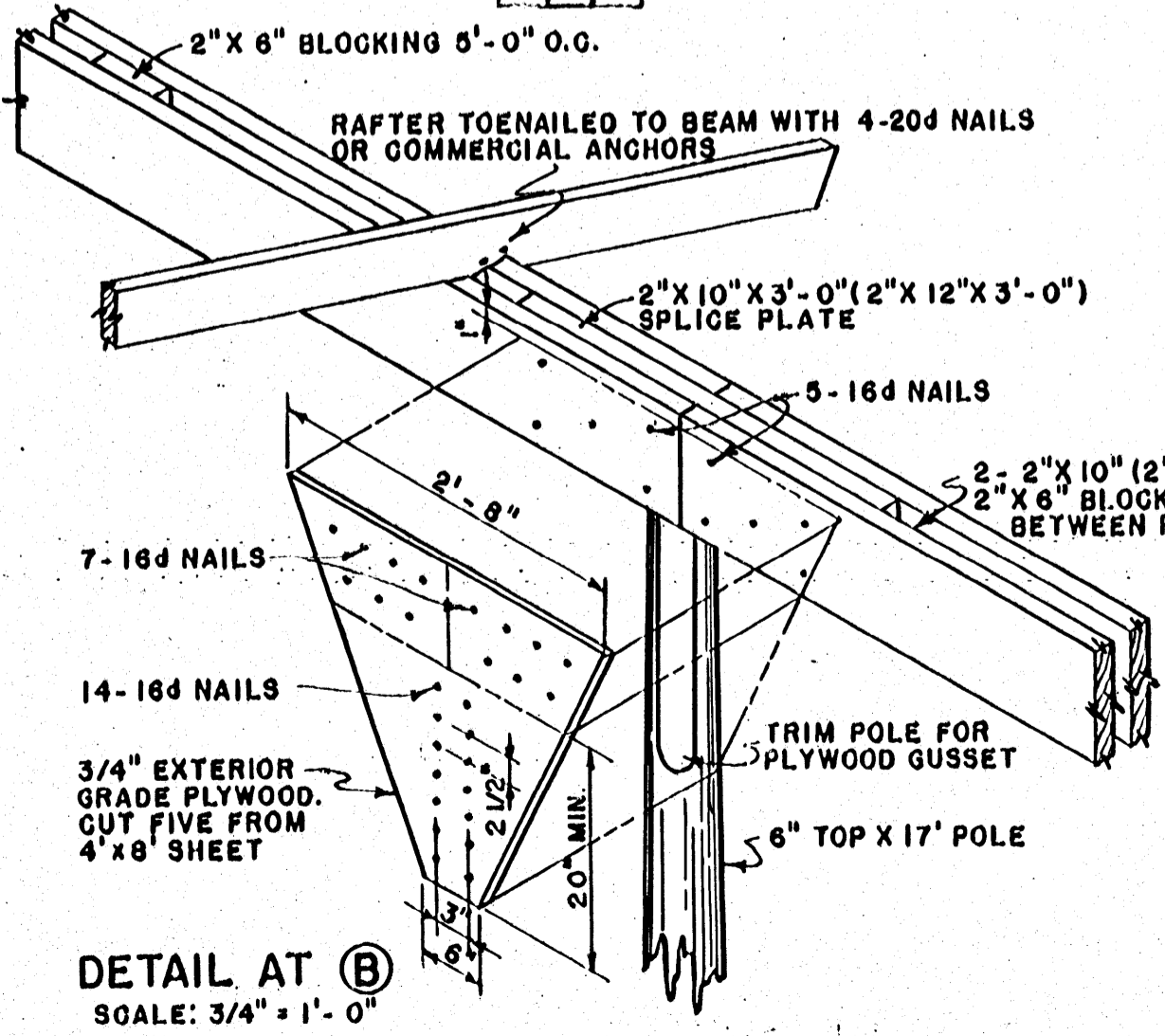
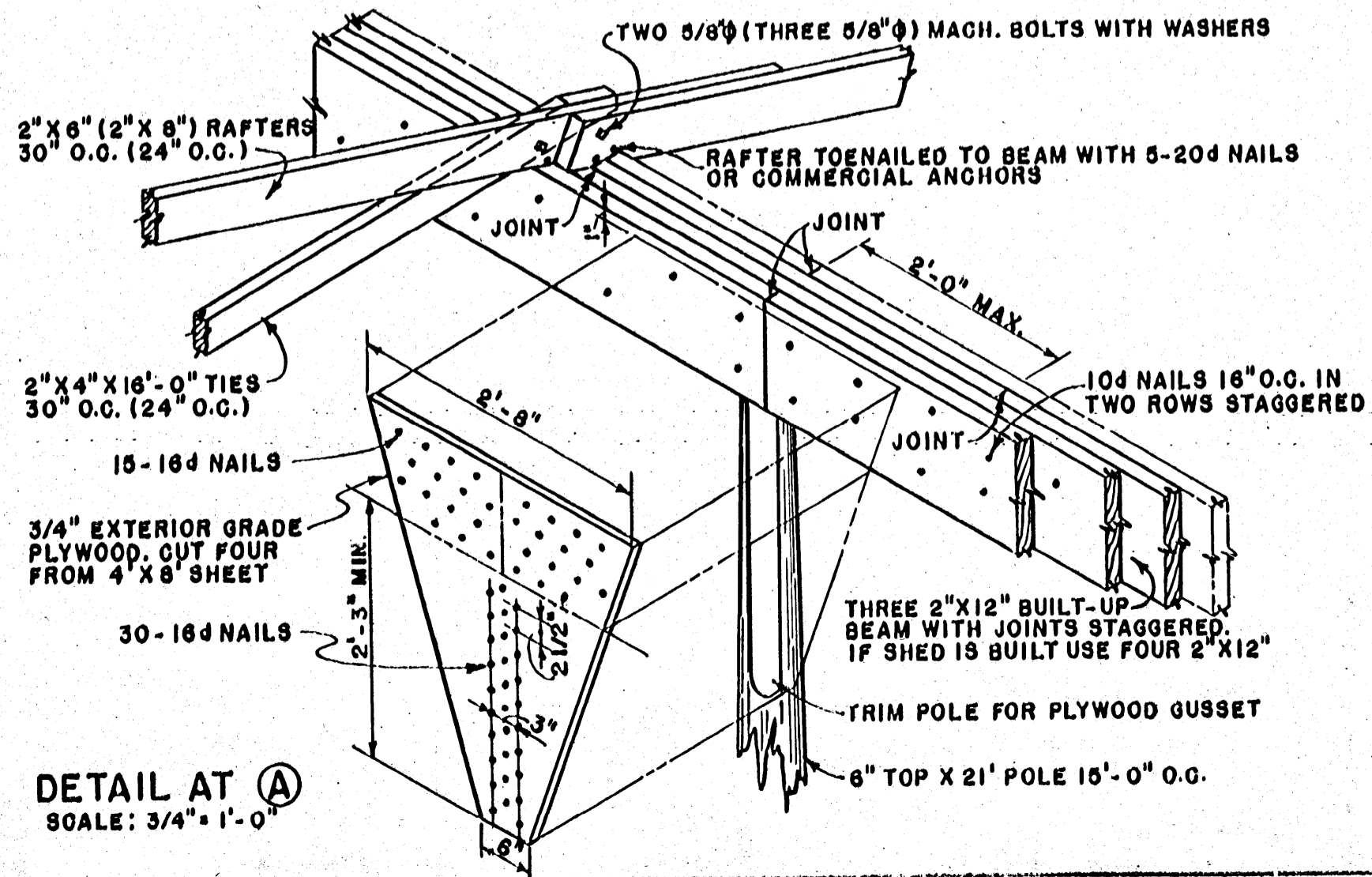


CROSS SECTION
 SCALE: 3/8" = 1'-0"



COOPERATIVE EXTENSION WORK IN
 AGRICULTURE AND HOME ECONOMICS
 STATE OF MISSISSIPPI
 MISSISSIPPI STATE UNIVERSITY
 AND
 UNITED STATES DEPARTMENT OF AGRICULTURE COOPERATING

TYPE "C" POLE CONSTRUCTION
 26', 39' OR 52' WIDTH

USDA '57 EX. 5832 SHEET 2 OF 2