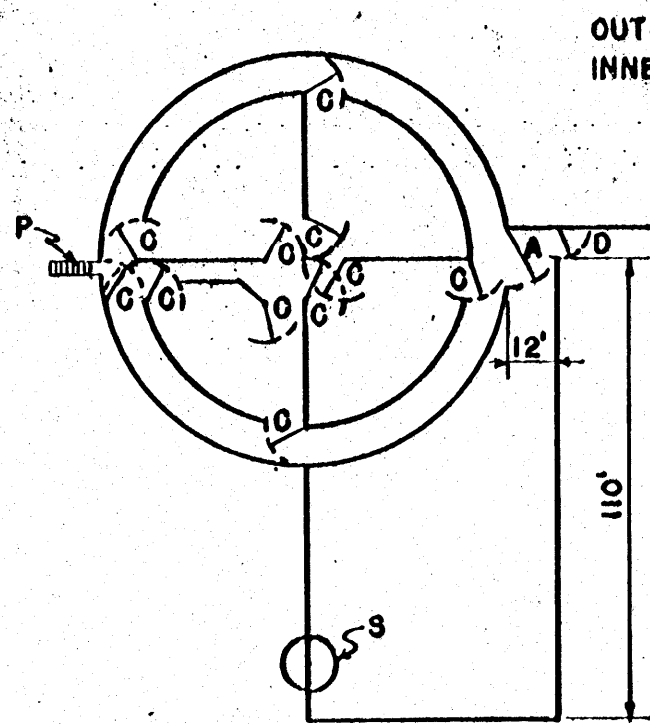
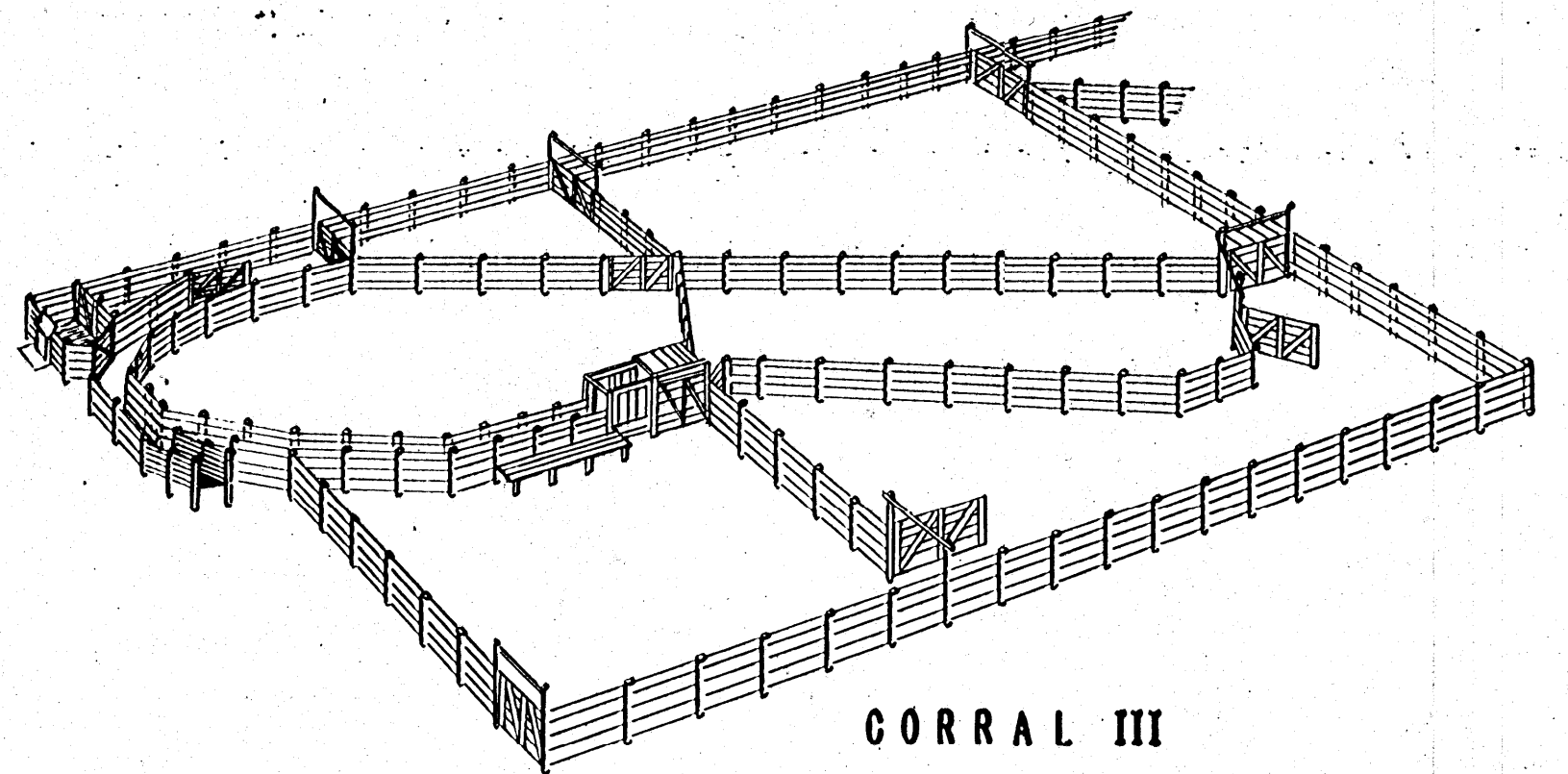
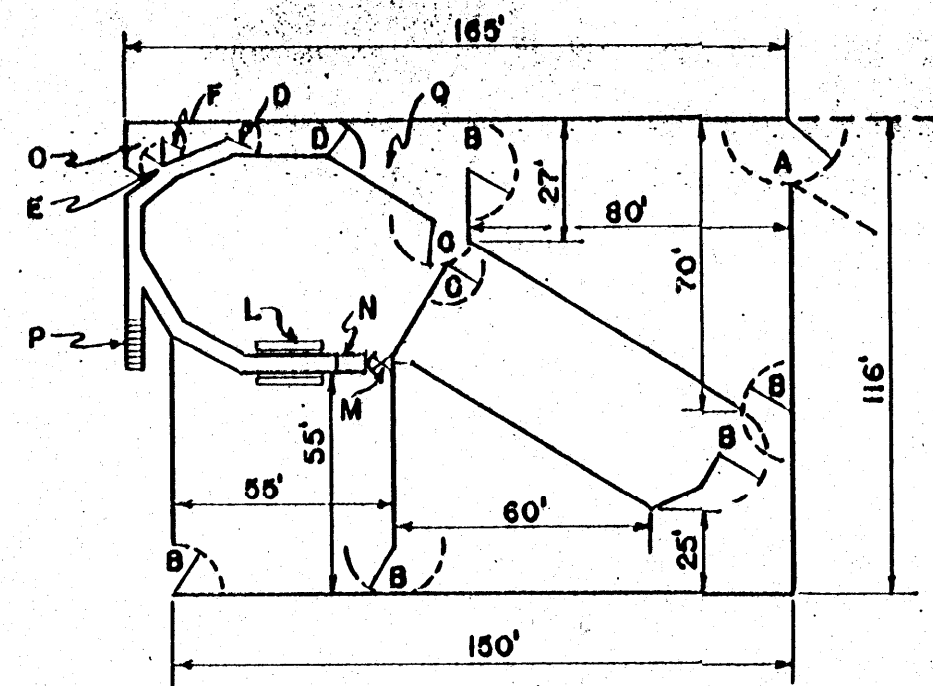


CORRAL II

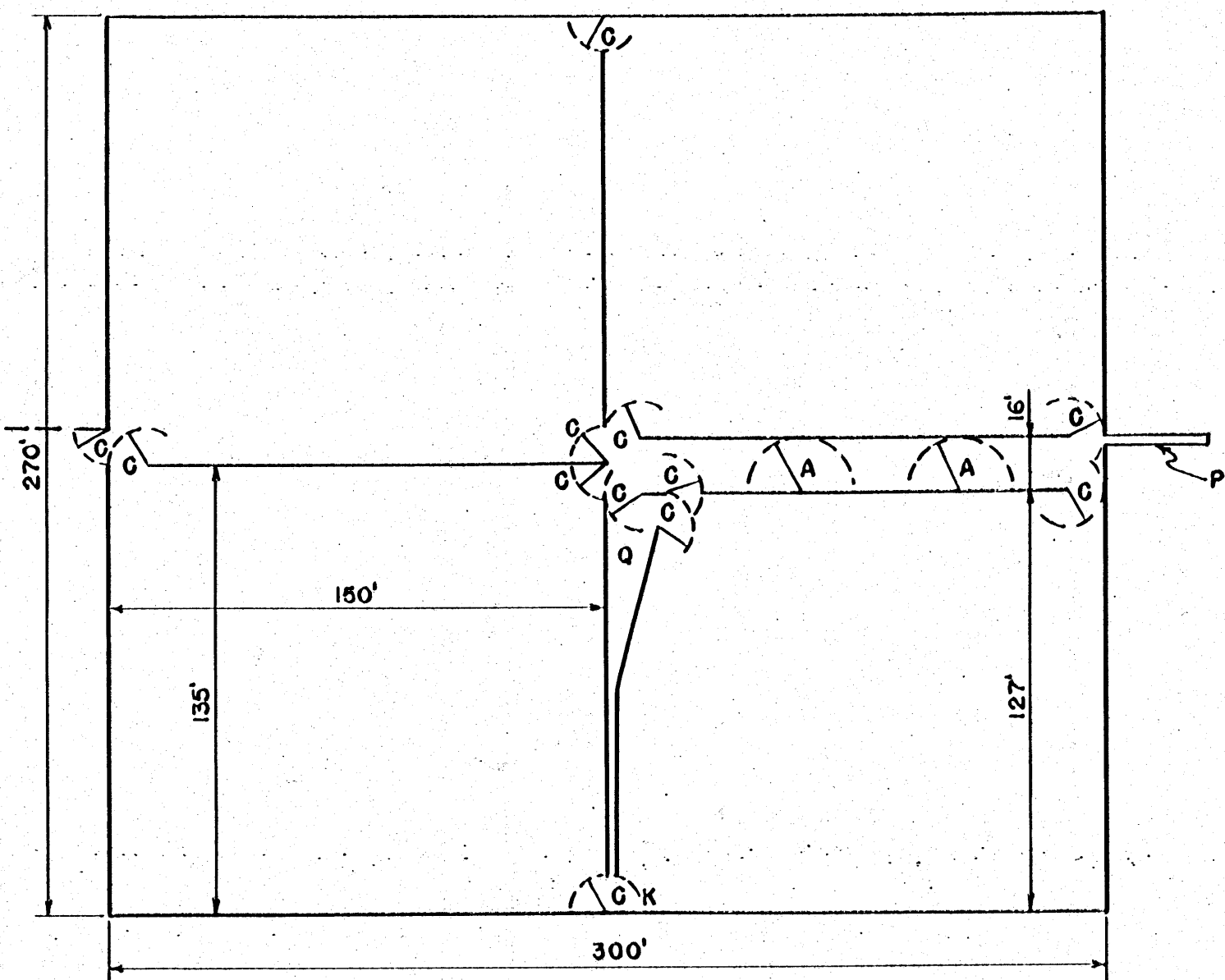


OUTER RING 100' DIA.  
INNER RING 80' DIA.

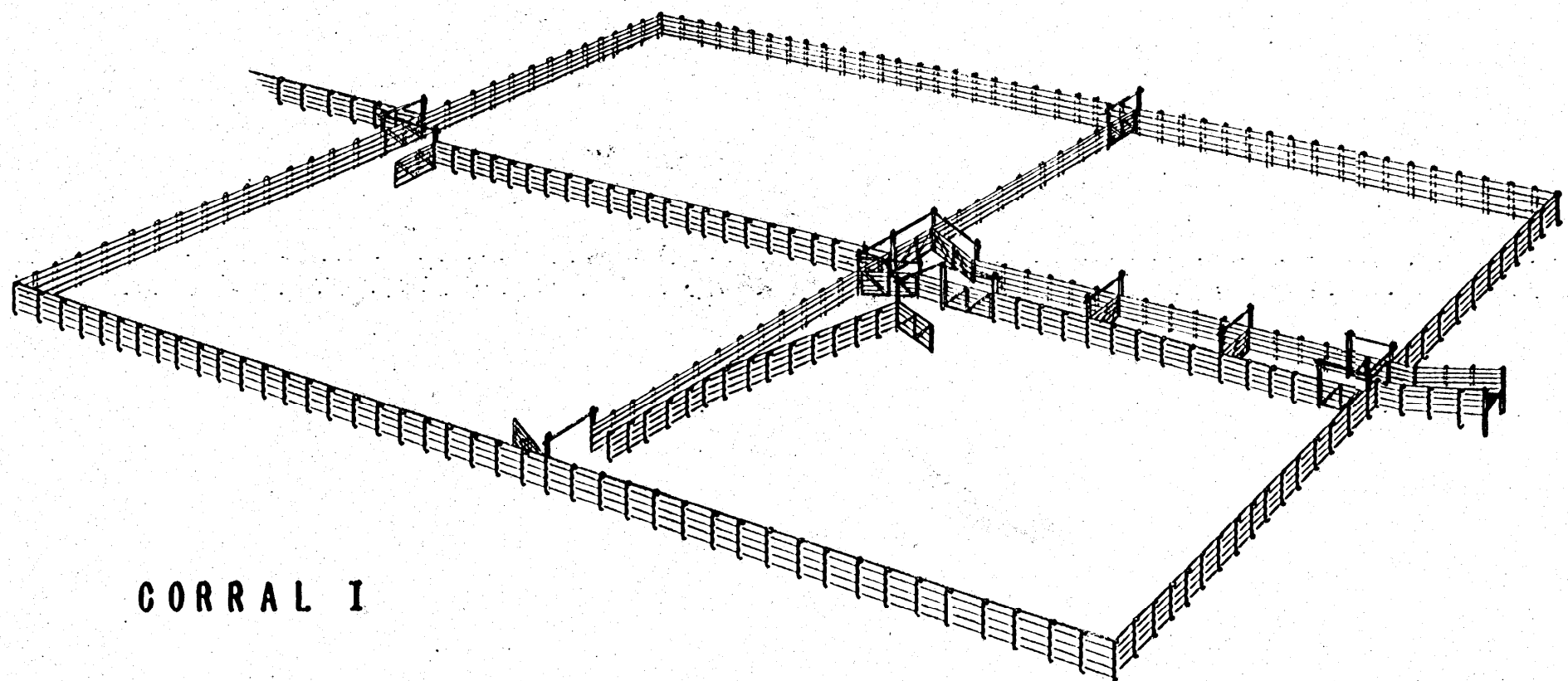
- A - 16'-0" GATE
- B - 12'-0" "
- C - 10'-0" "
- D - 8'-0" "
- E - 6'-0" "
- F - 5'-0" "
- G - 4'-0" "
- K - CUTTING GATE
- L - PLATFORM
- M - FOUR-WAY SORTING GATES
- N - SQUEEZE
- O - SOALES
- P - LOADING CHUTE
- Q - GROWING CHUTE
- R - HEAD GATE
- S - WATER TANK



CORRAL III



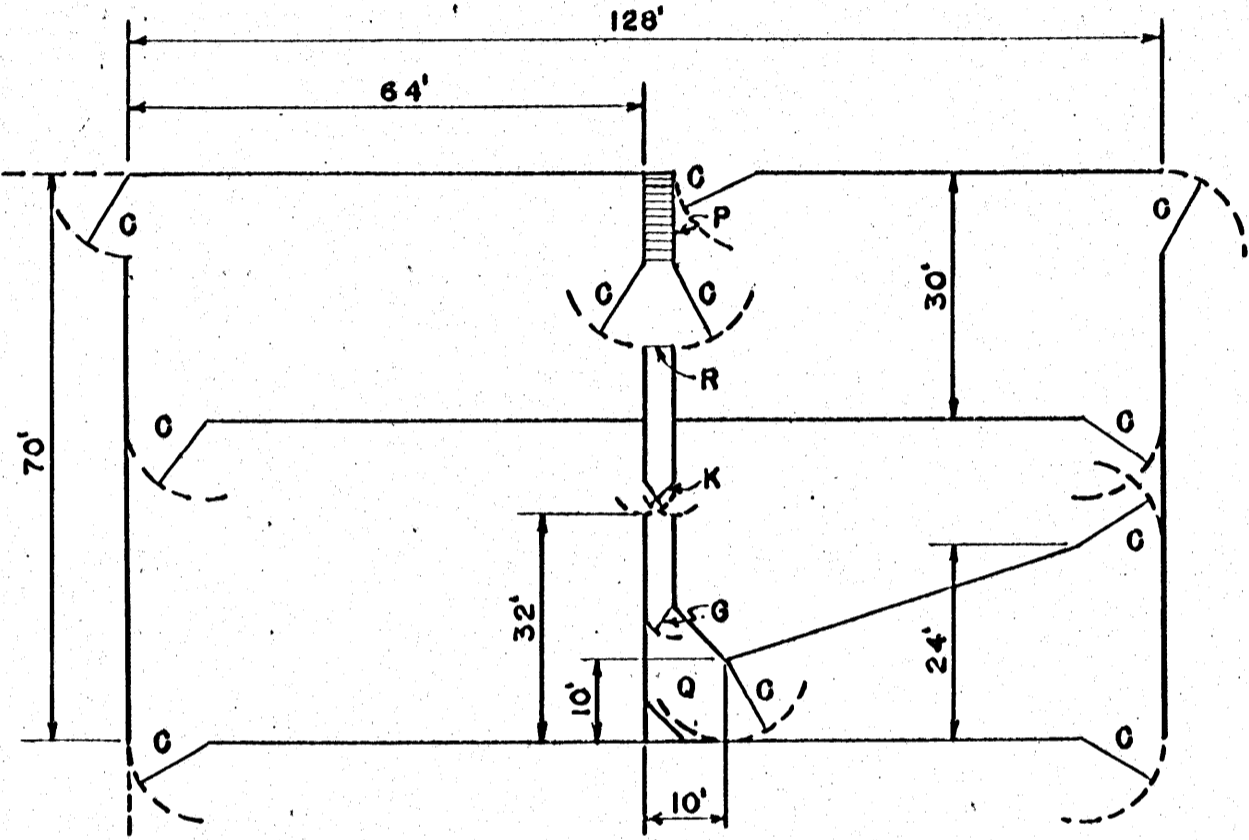
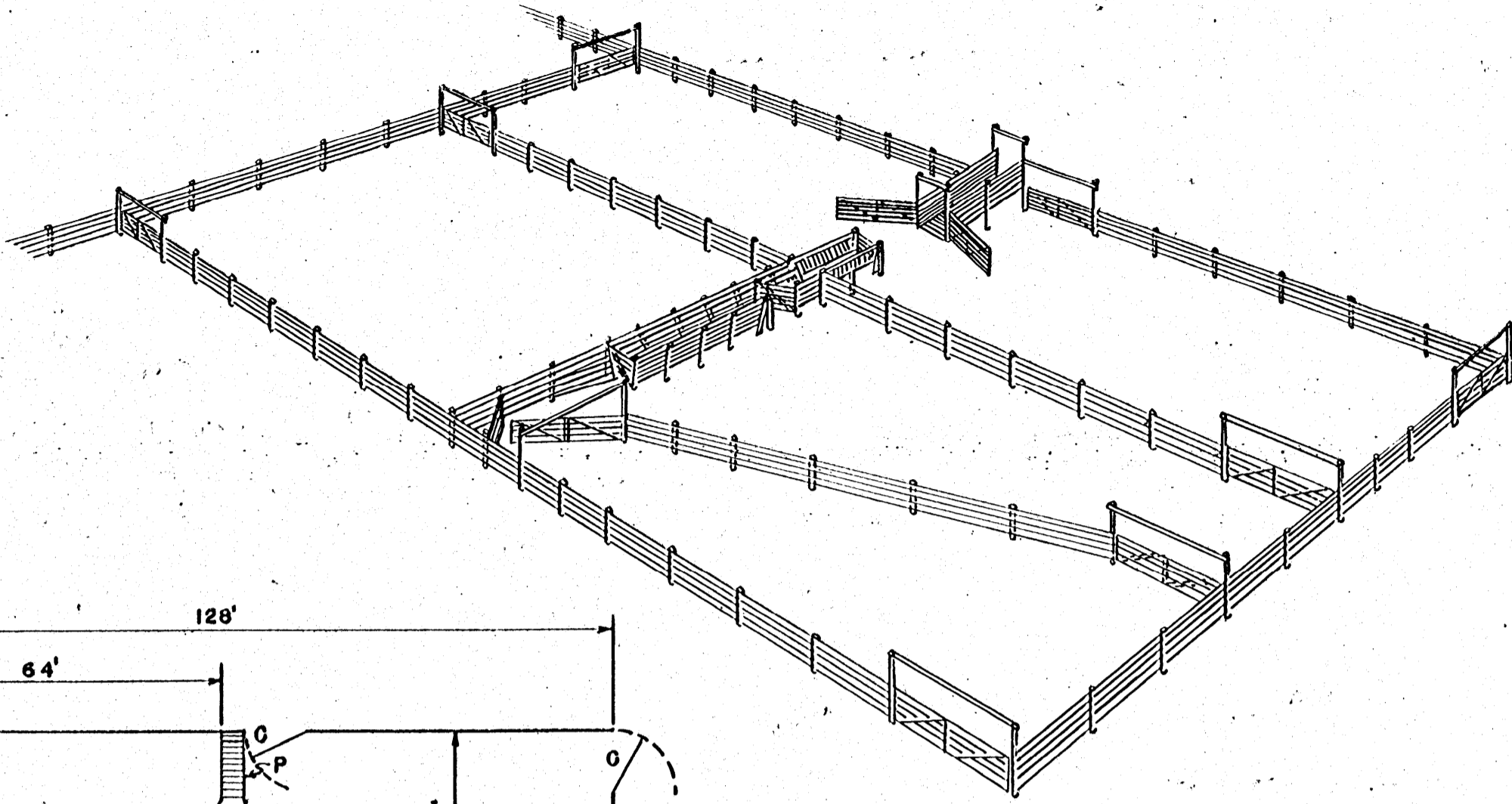
CORRAL I



COOPERATIVE EXTENSION WORK IN  
AGRICULTURE AND HOME ECONOMICS  
STATE OF MISSISSIPPI  
MISSISSIPPI STATE UNIVERSITY  
AND  
UNITED STATES DEPARTMENT OF AGRICULTURE COOPERATING

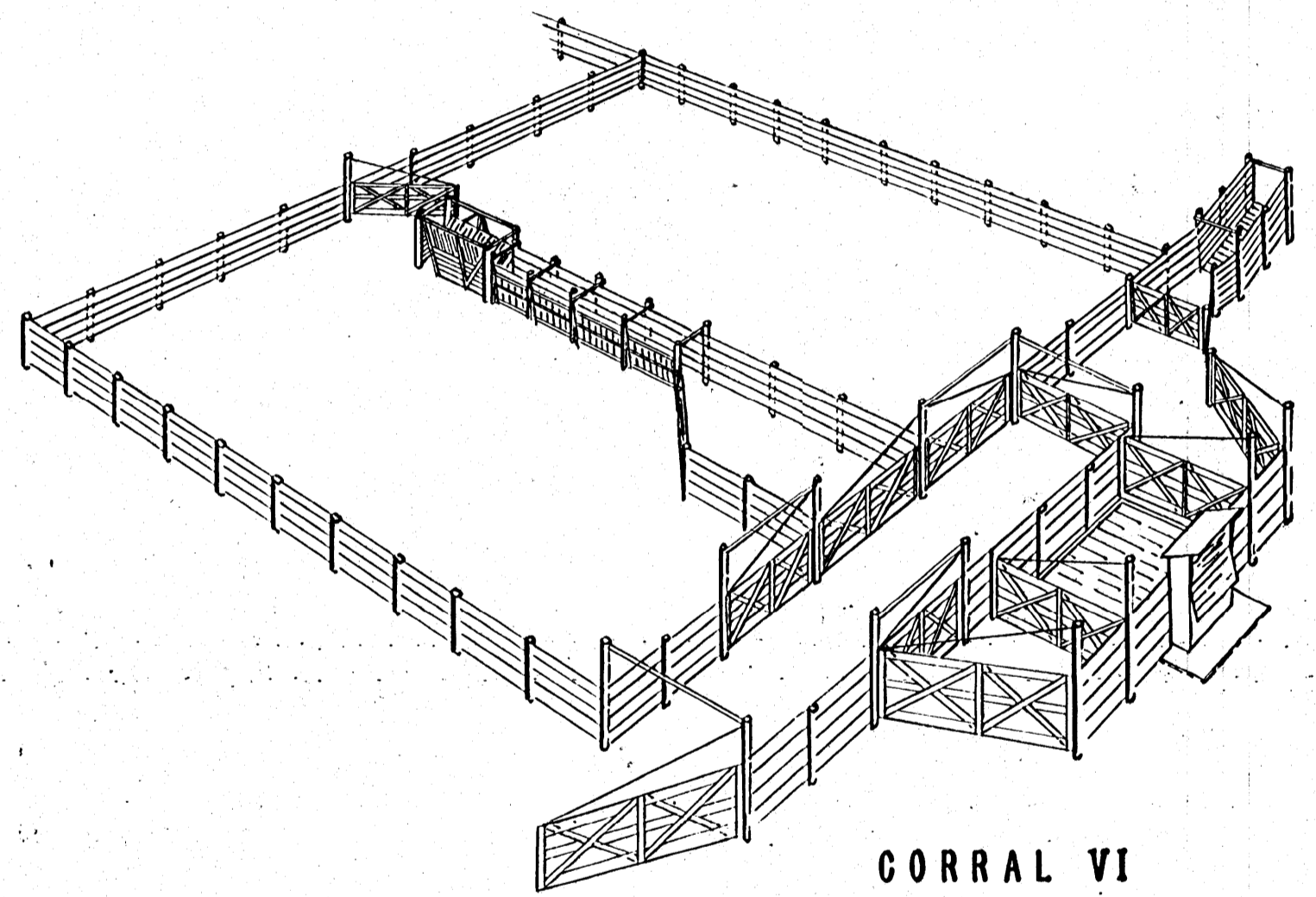
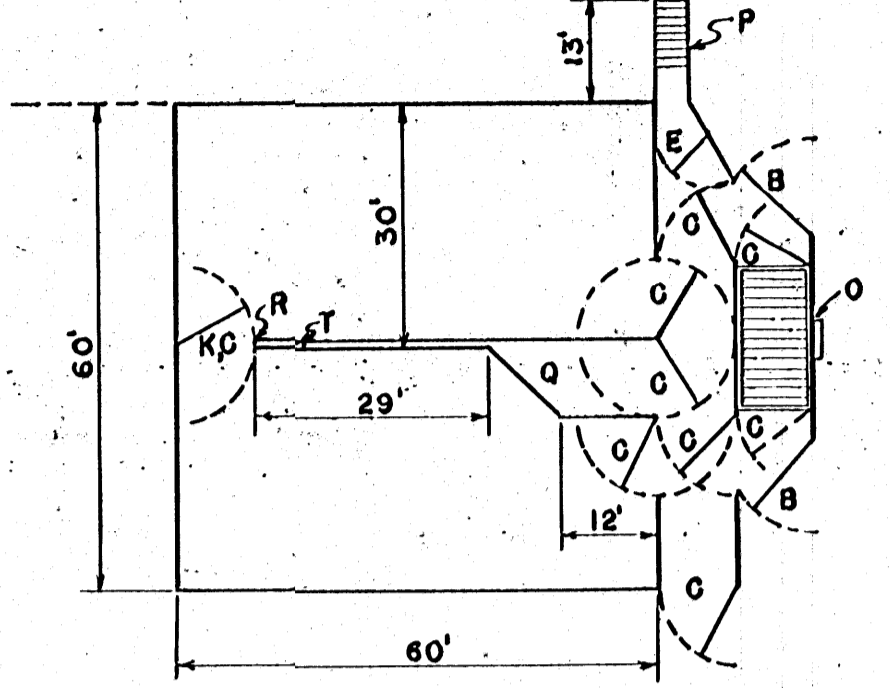
SIX CORRALS  
FOR BEEF CATTLE

USDA '57 EX. 5835 SHEET 1 OF 3

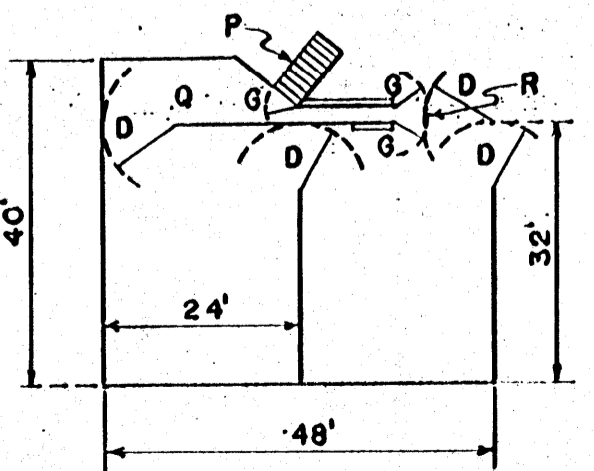
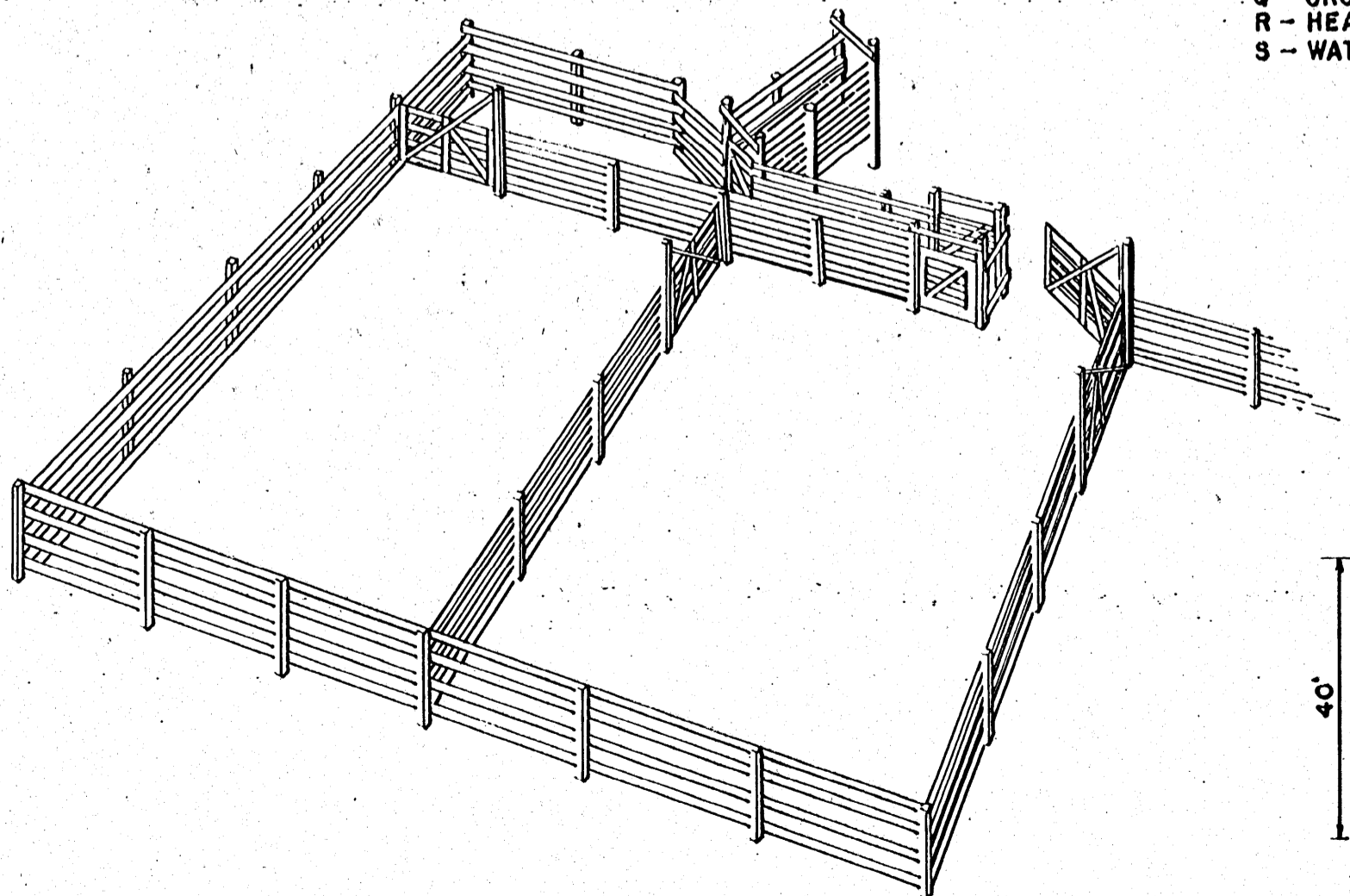


CORRAL V

- A - 16' - 0" GATE
- B - 12' - 0" "
- C - 10' - 0" "
- D - 8' - 0" "
- E - 6' - 0" "
- F - 5' - 0" "
- G - 4' - 0" "
- K - CUTTING GATE
- L - PLATFORM
- M - FOUR-WAY SORTING GATES
- N - SQUEEZE
- O - SCALES
- P - LOADING CHUTE
- Q - CROWDING CHUTE
- R - HEAD GATE
- S - WATER TANK



CORRAL VI



CORRAL IV

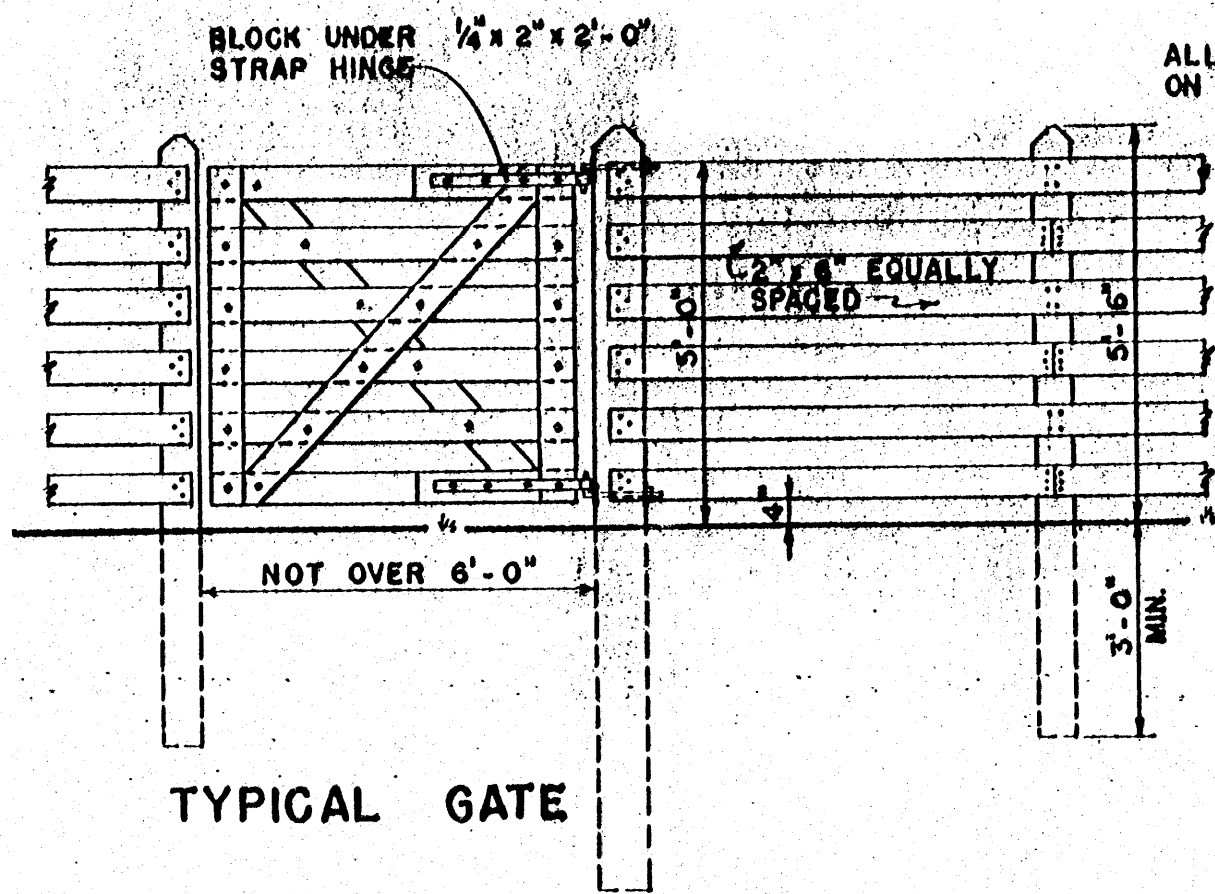
COOPERATIVE EXTENSION WORK IN  
 AGRICULTURE AND HOME ECONOMICS  
 STATE OF MISSISSIPPI  
 MISSISSIPPI STATE UNIVERSITY  
 UNITED STATES DEPARTMENT OF AGRICULTURE COOPERATING

**SIX CORRALS  
 FOR BEEF CATTLE**

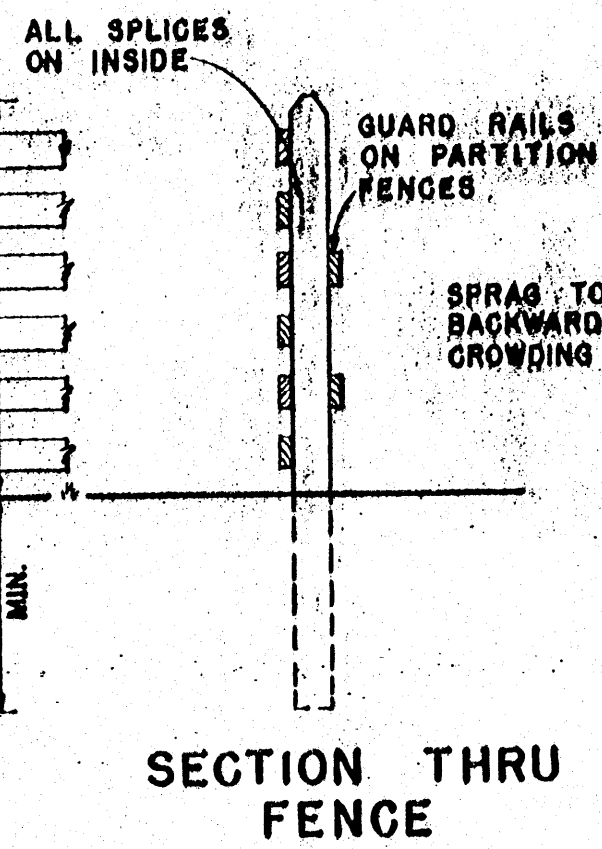
USDA '57    EX. 5835    SHEET 2 OF 3



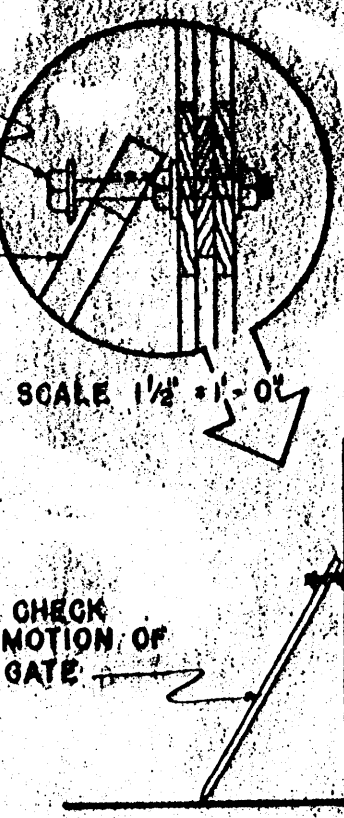
NOTE: HINGE POSITIONS VARY TO SUIT DIRECTION AND LENGTH OF GATE SWING



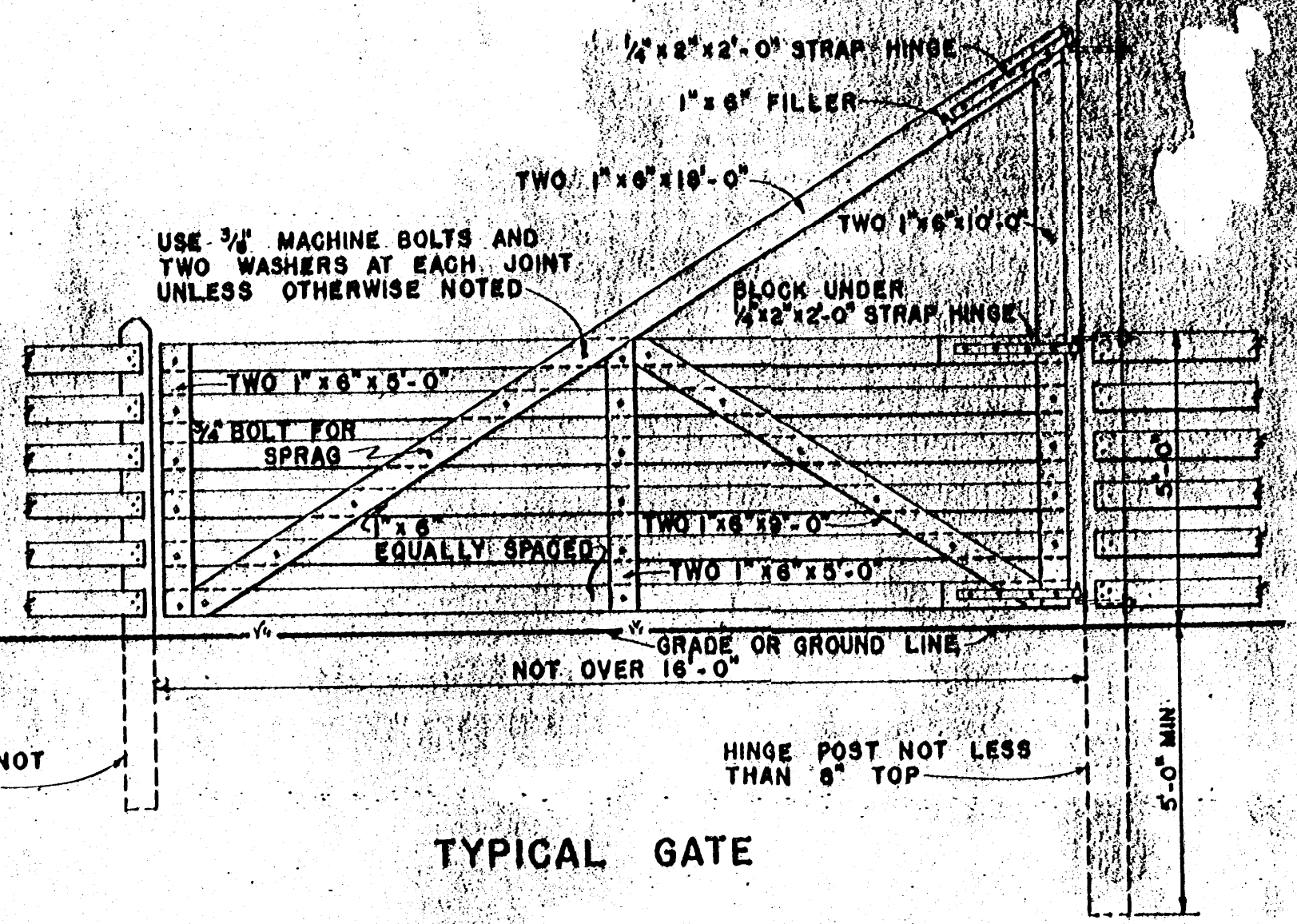
TYPICAL GATE



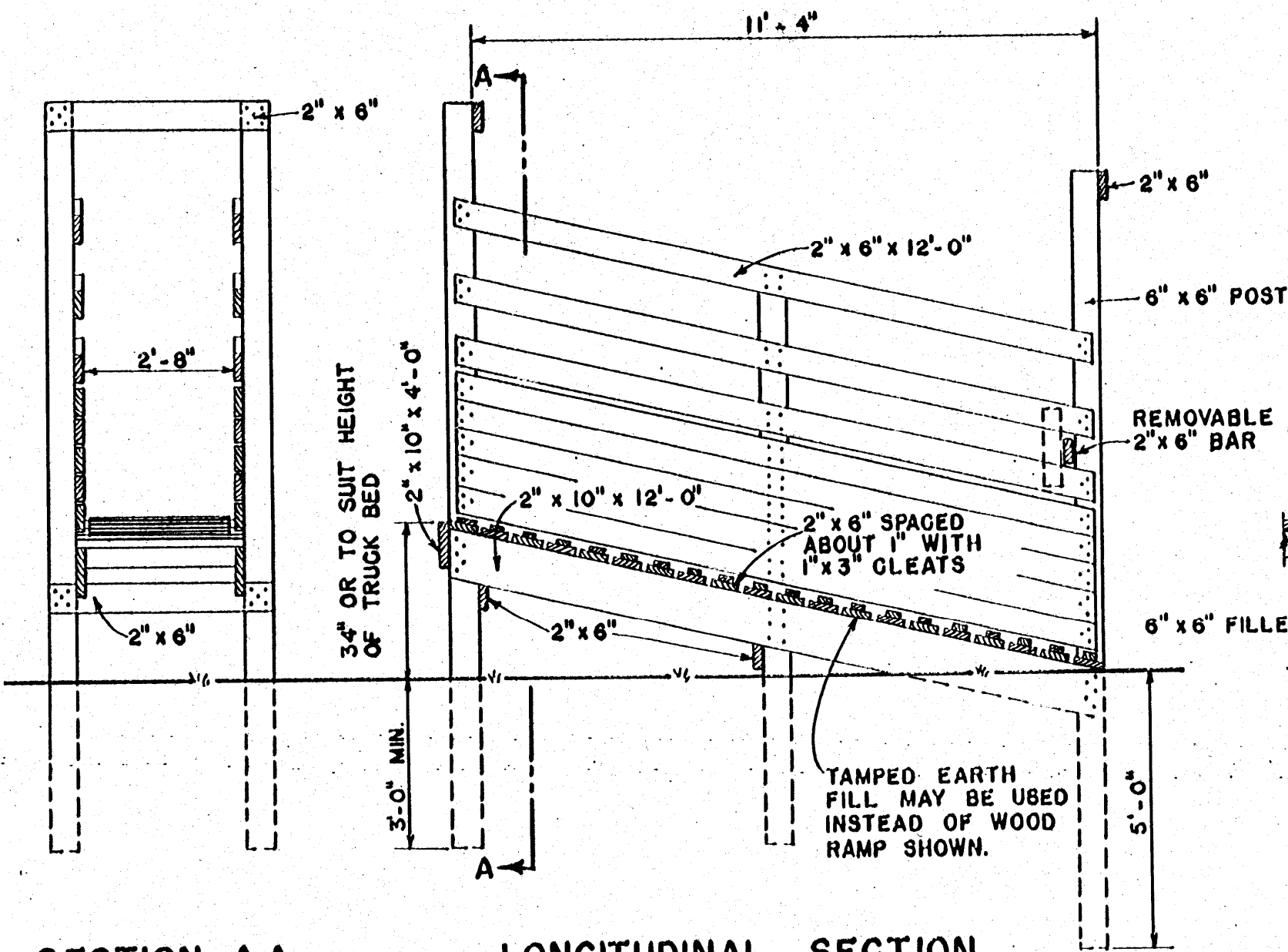
SECTION THRU FENCE



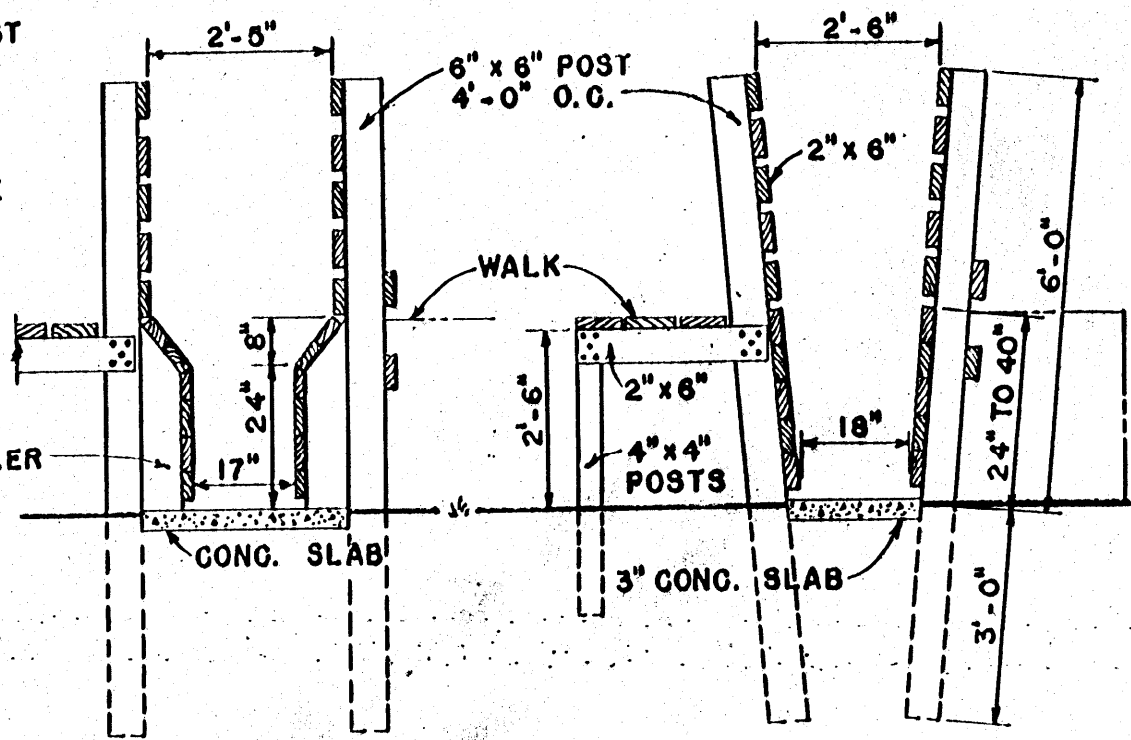
SECTION THRU GATE



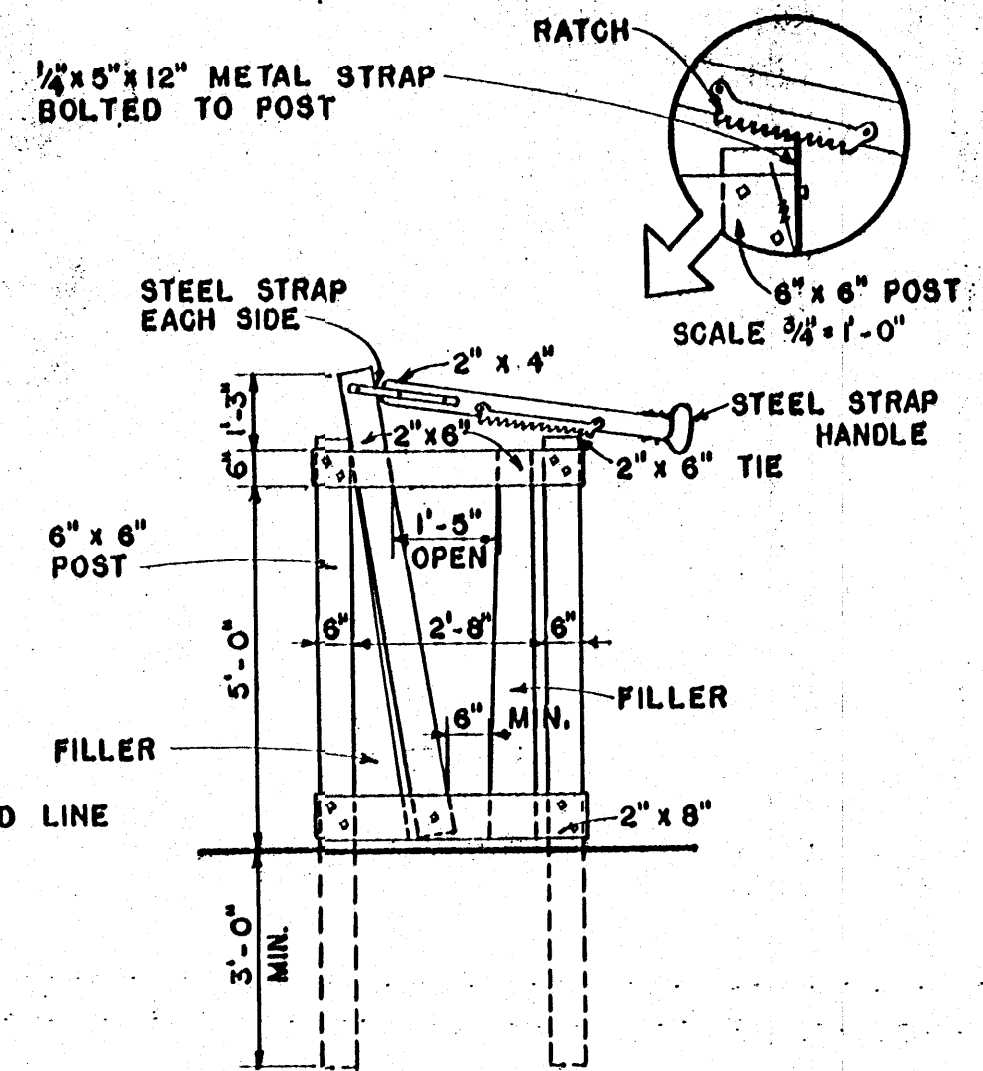
TYPICAL GATE



SECTION A-A LONGITUDINAL SECTION LOADING RAMP



SECTION CHUTES



ELEVATION HEAD GATE

SCALE 3/8" = 1'-0" EXCEPT AS OTHERWISE NOTED

NOTE: ALL WOOD IN CONTACT WITH EARTH SHOULD BE PRESERVATIVE TREATED WITH PRESERVATIVE.

COOPERATIVE EXTENSION WORK IN AGRICULTURE AND HOME ECONOMICS  
STATE OF MISSISSIPPI  
MISSISSIPPI STATE UNIVERSITY  
AND  
UNITED STATES DEPARTMENT OF AGRICULTURE COOPERATING

SIX CORRALS FOR BEEF CATTLE

USDA '57 EX. 5835 SHEET 3 OF 3