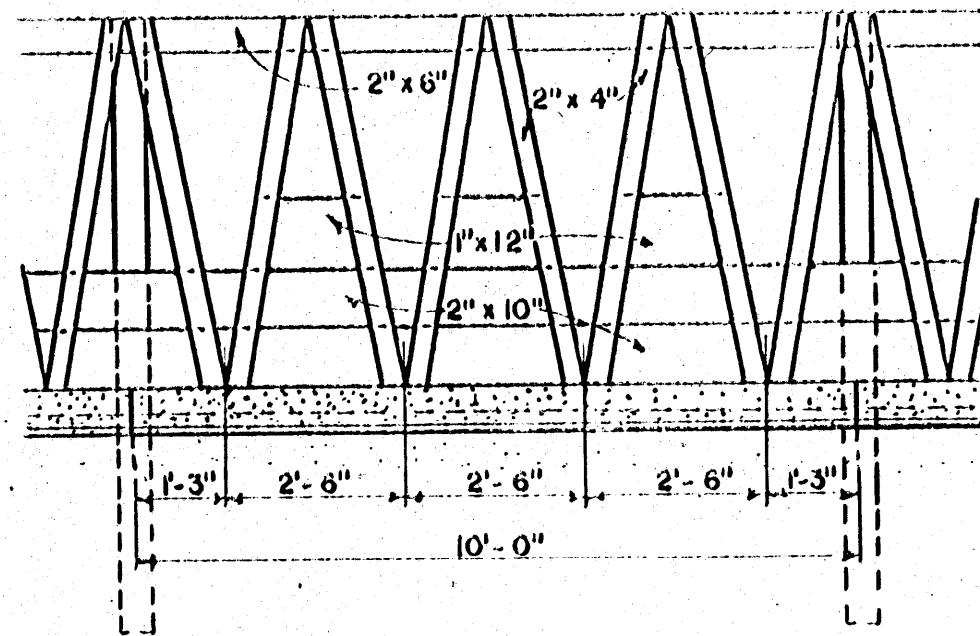
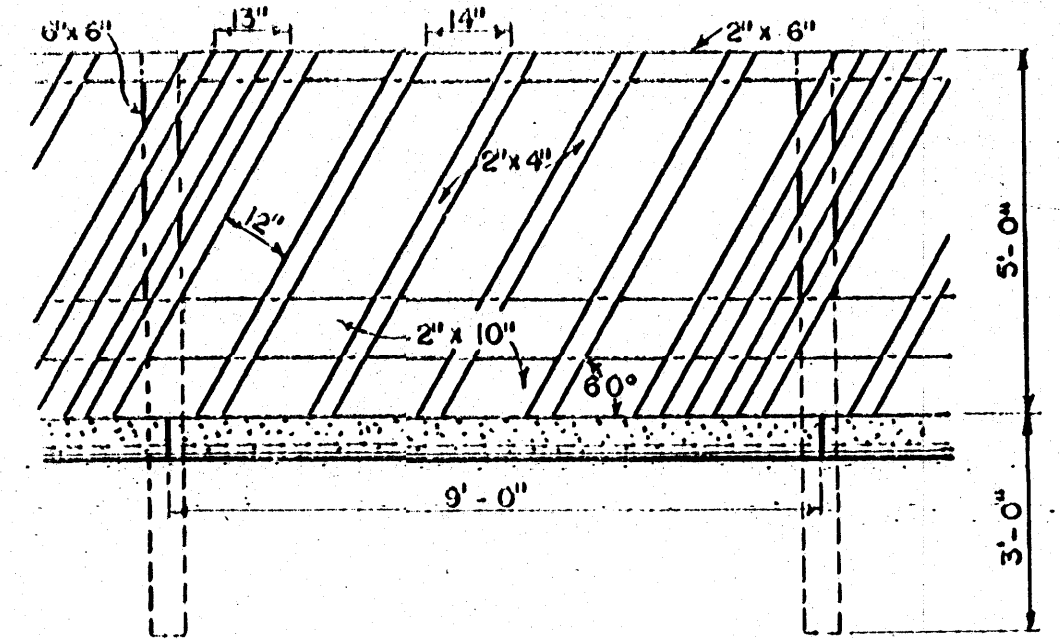


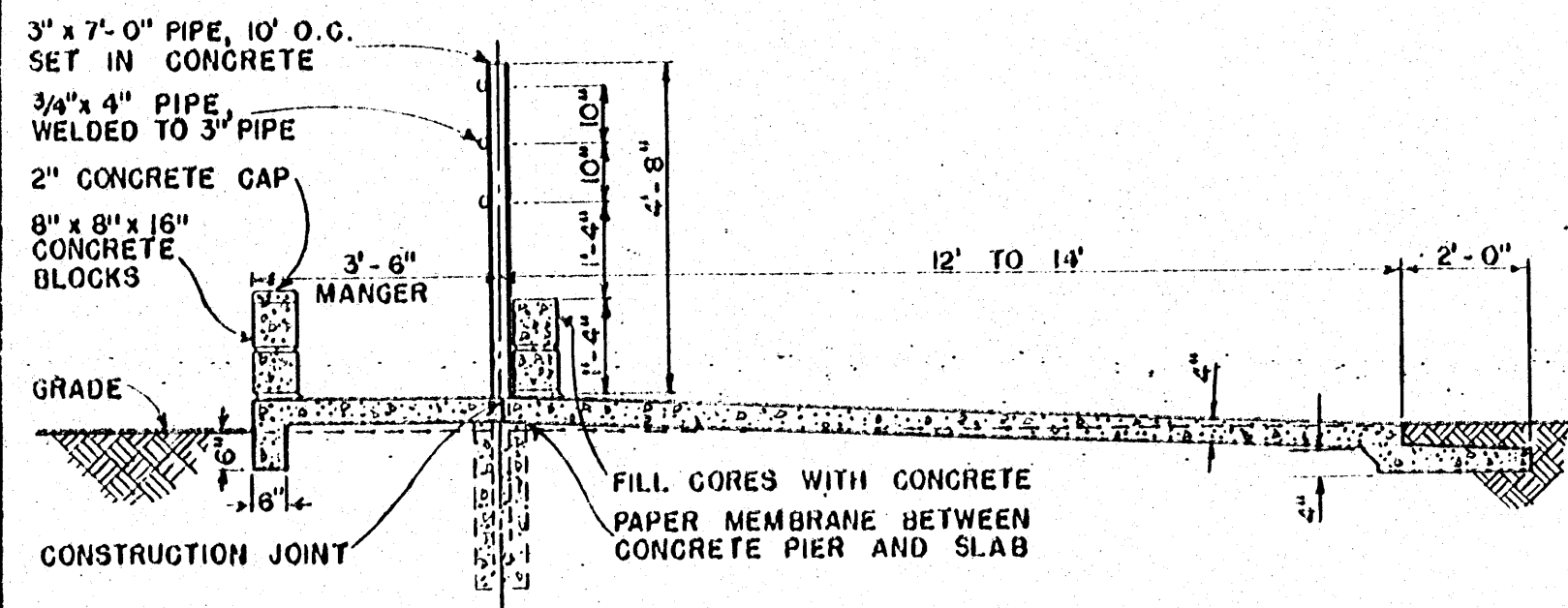
SECTION  
TYPE I



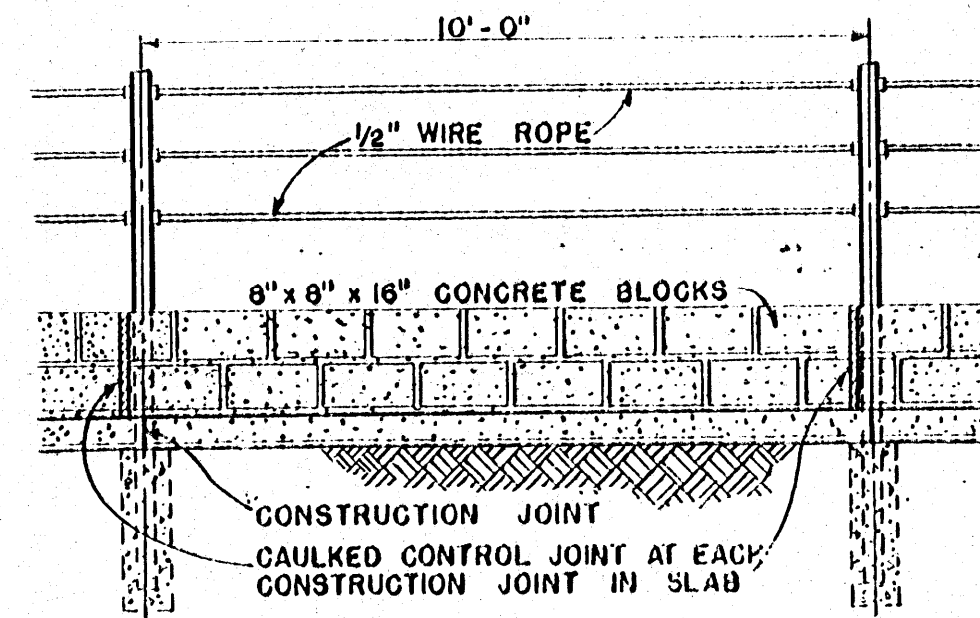
ELEVATION  
TYPE I



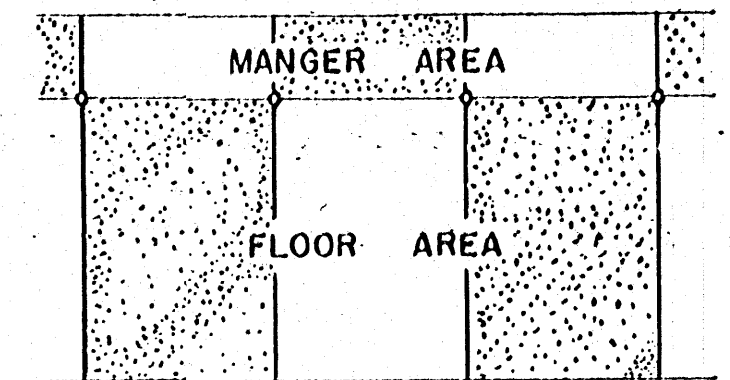
ELEVATION



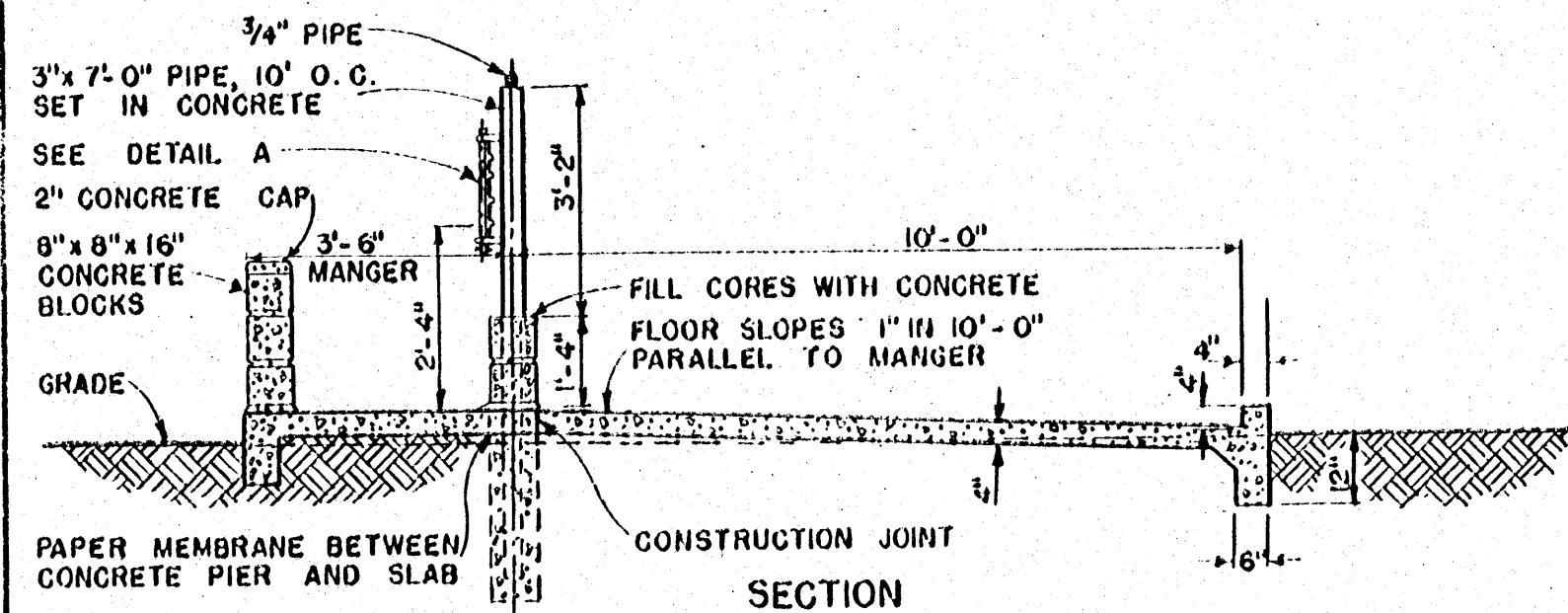
SECTION  
TYPE II



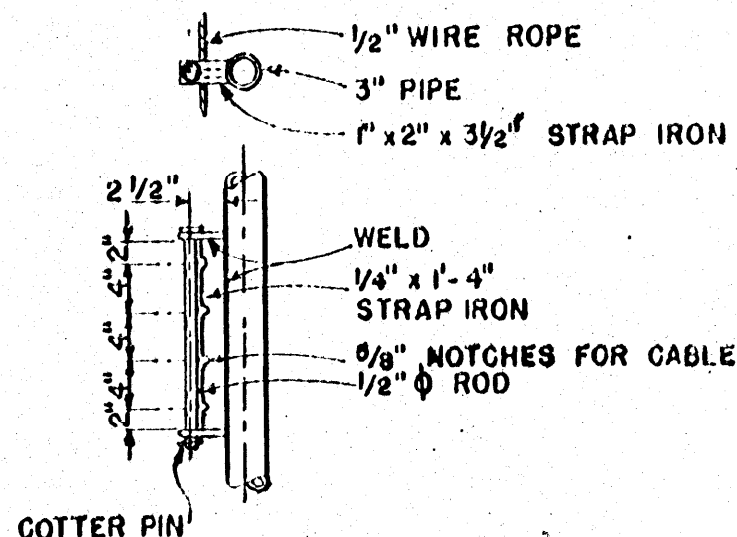
ELEVATION  
TYPE II



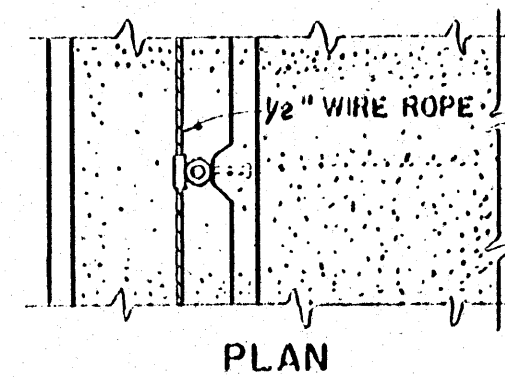
CONCRETE POURING PLAN  
POUR SHADED AREAS FIRST



SECTION  
TYPE III



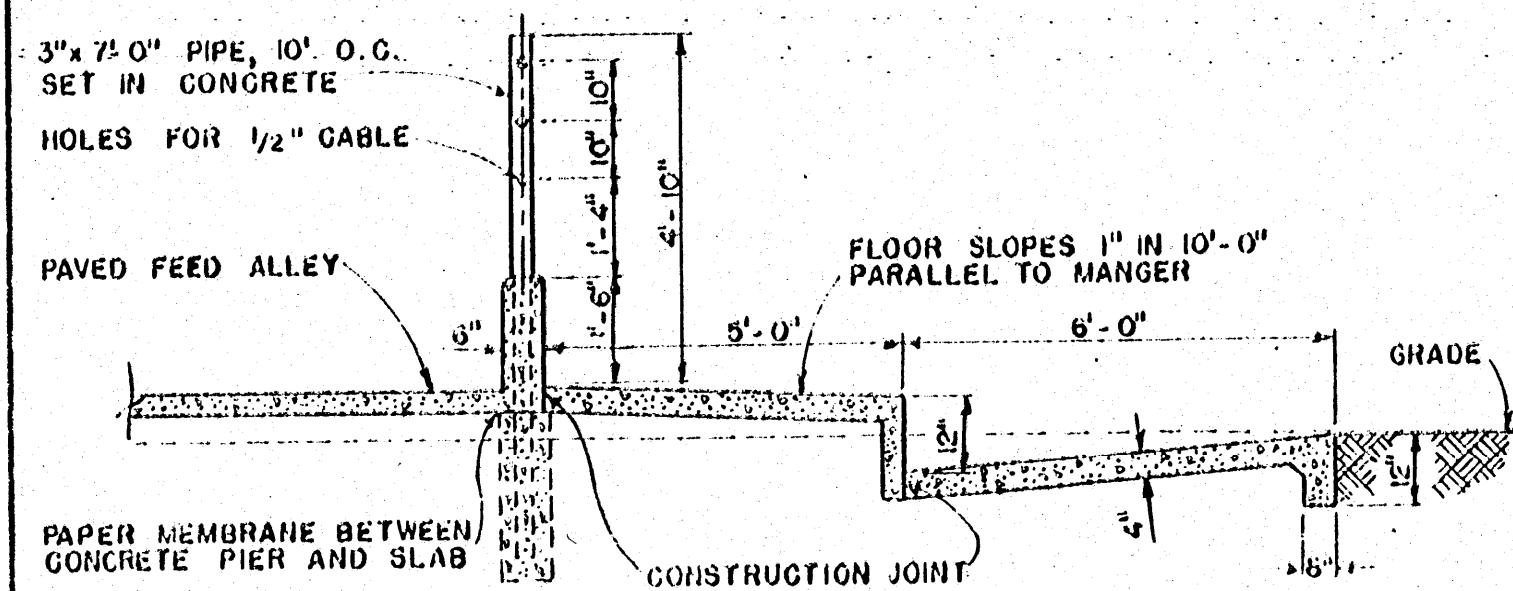
DETAIL A  
SCALE: 3/4" = 1'-0"



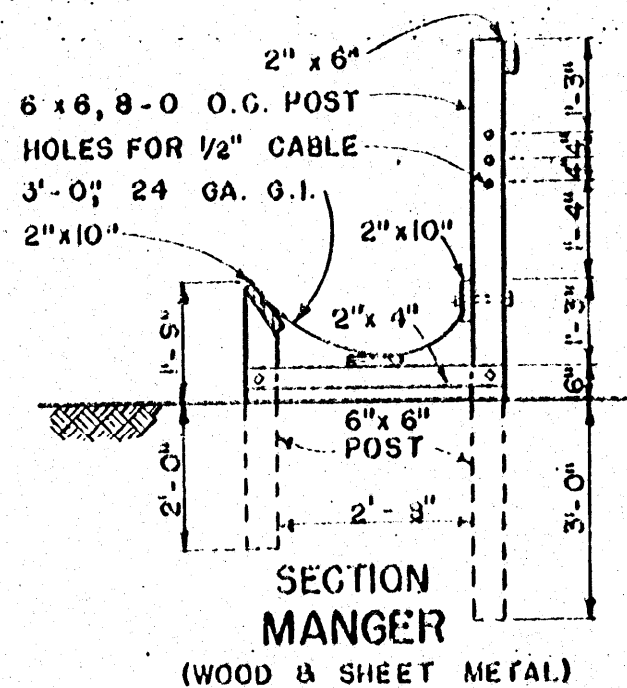
PLAN

NOTE

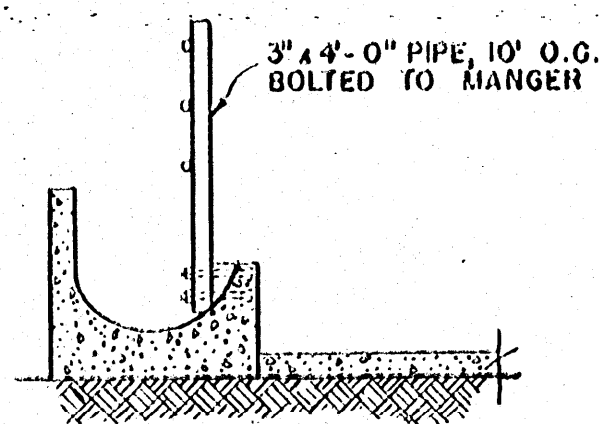
1. ALL CONCRETE STANDING FLOORS SLOPE 1/2" PER FOOT AWAY FROM MANGER.
2. FOR LONGEST SERVICE ALL WOOD POSTS SHOULD BE PRESSURE-TREATED WITH PRESERVATIVE. OTHER WOOD PARTS SHOULD BE BRUSH OR DIP TREATED WITH A COPPER-NAPHTHANATE PRESERVATIVE AFTER CUTTING.



SECTION  
TYPE IV



SECTION  
MANGER  
(WOOD & SHEET METAL)



SECTION  
MANGER  
(PRECAST CONCRETE)

SCALE: 3/8" = 1'-0", EXCEPT AS NOTED

COOPERATIVE EXTENSION WORK IN  
AGRICULTURE AND HOME ECONOMICS  
STATE OF MISSISSIPPI  
MISSISSIPPI STATE UNIVERSITY  
AND  
UNITED STATES DEPARTMENT OF AGRICULTURE COOPERATING  
**MANGERS & FEEDING FLOORS**  
FOR DAIRY & BEEF CATTLE

CAL. '57 EX. 5837 SHEET 1 OF 1