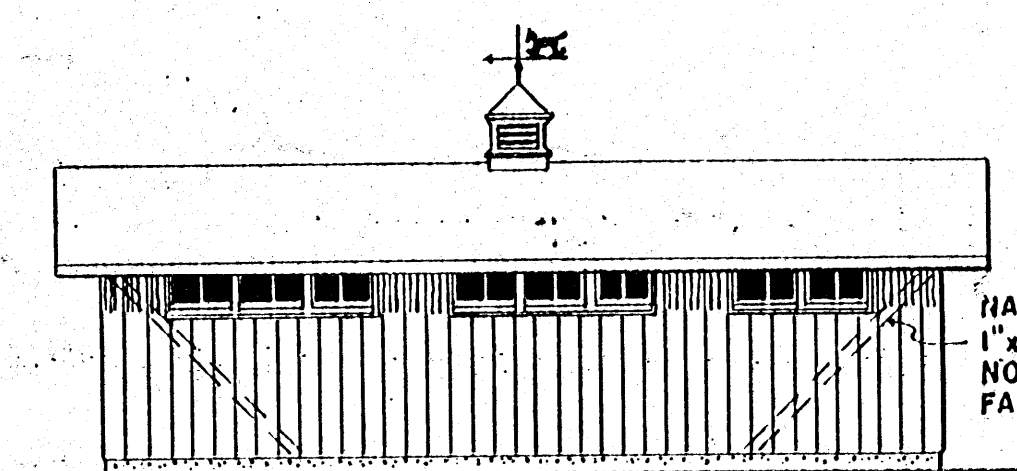
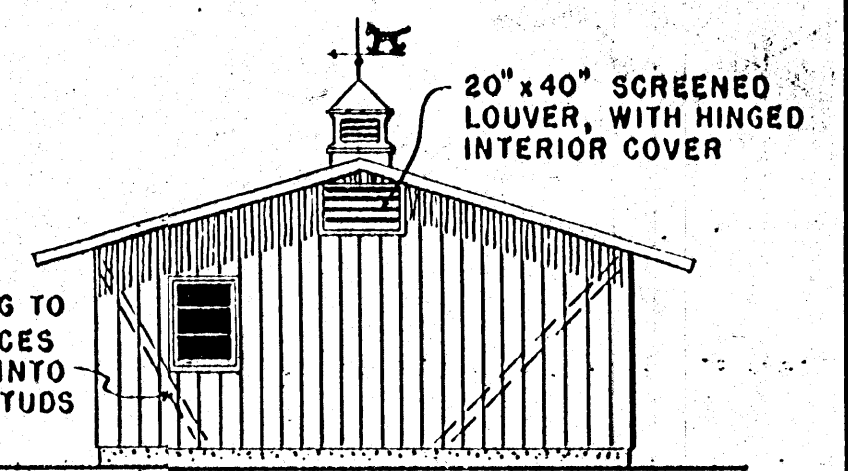


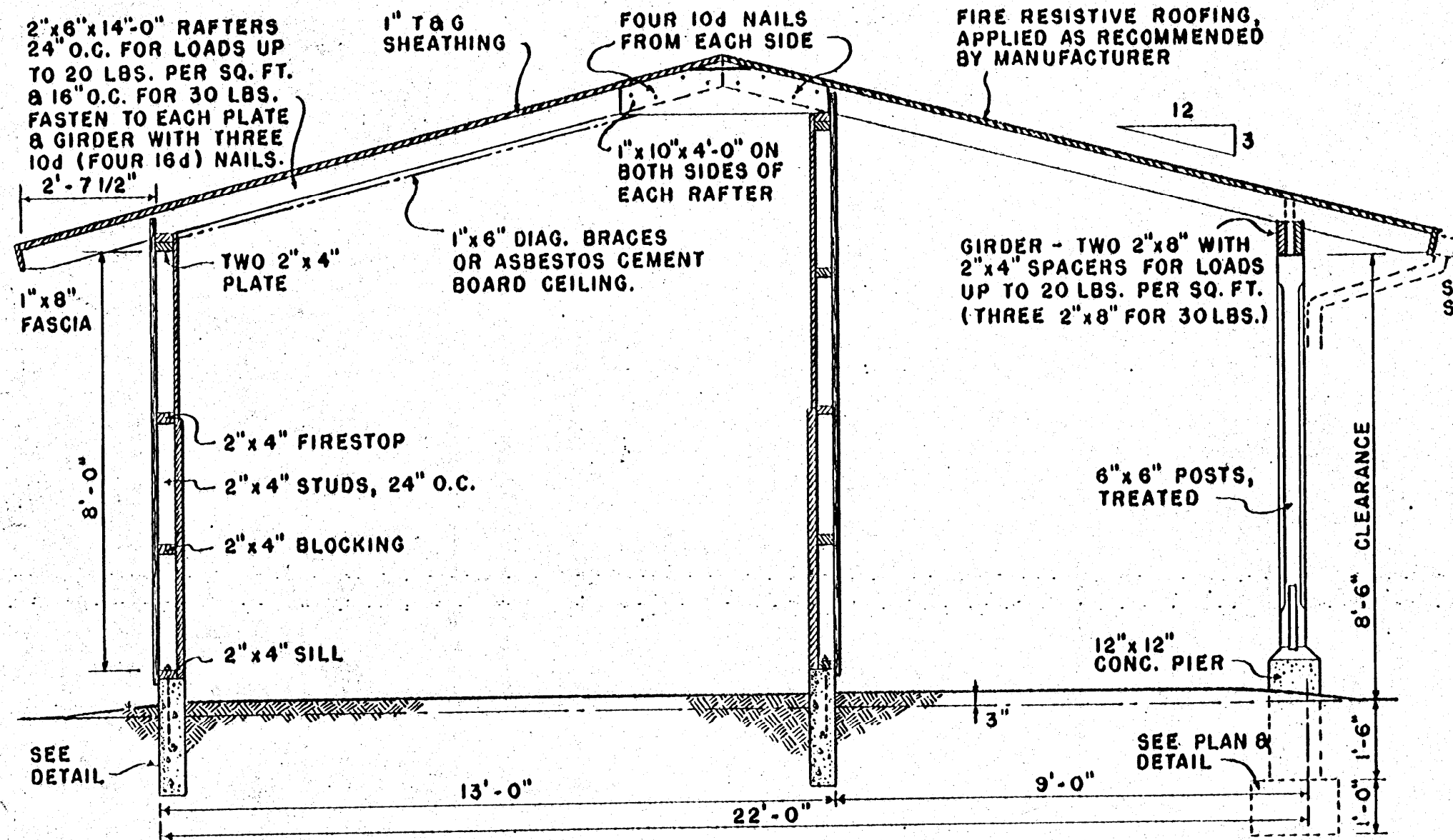
PERSPECTIVE



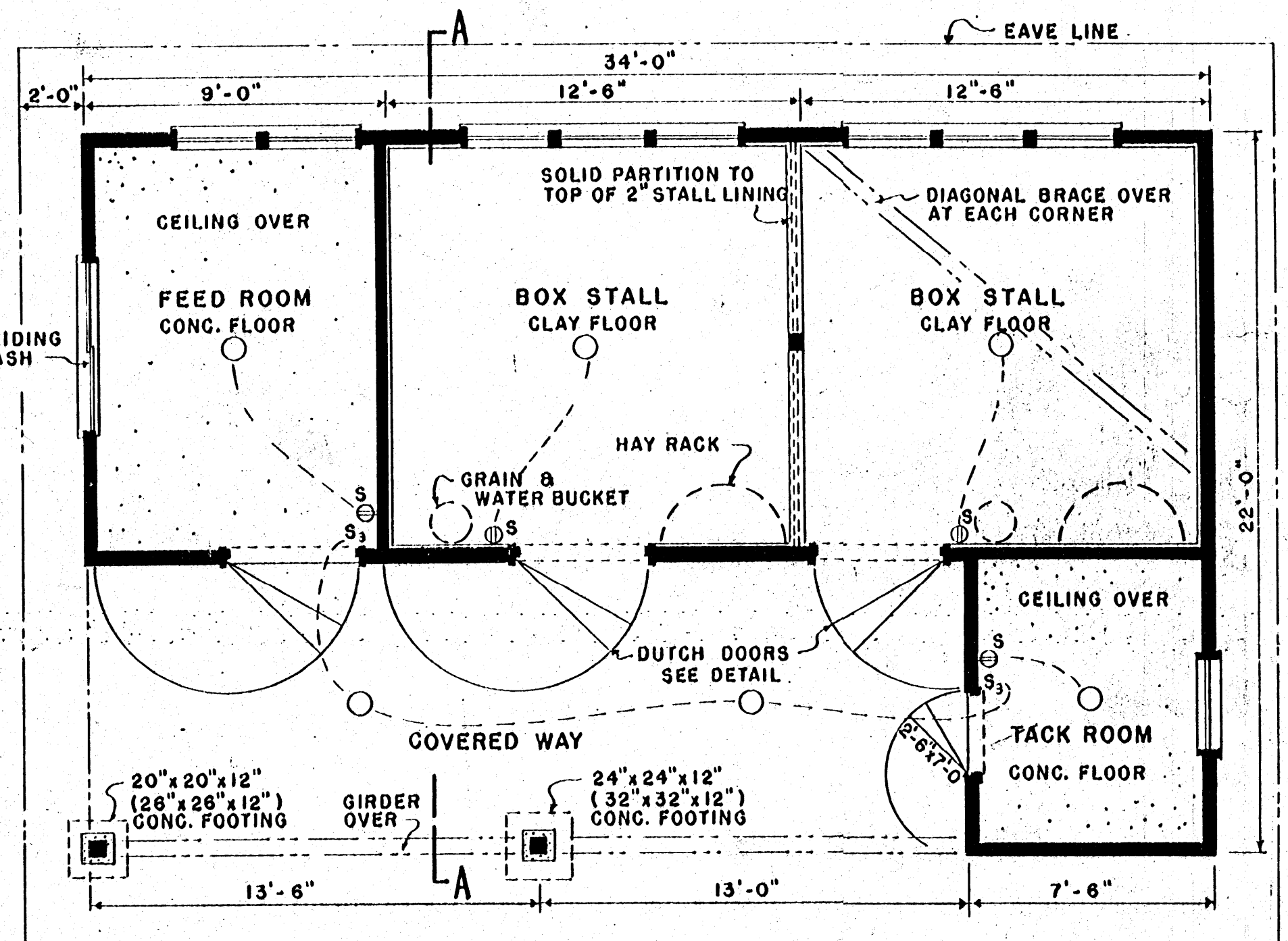
REAR ELEVATION
SCALE: 1/8" = 1'-0"



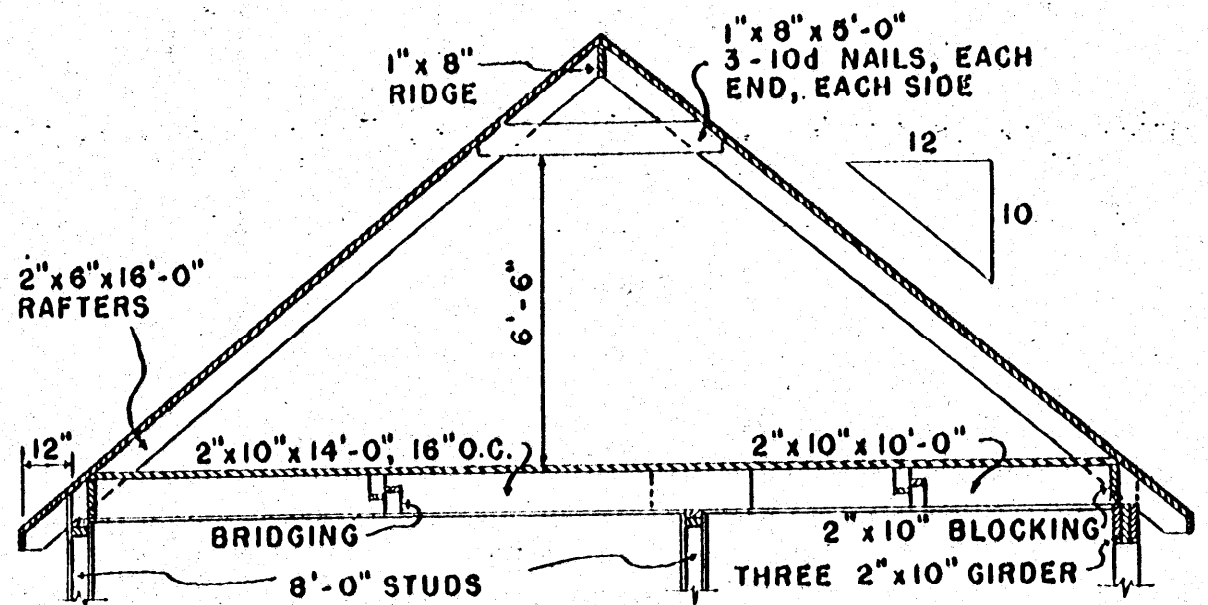
RIGHT END ELEVATION
SCALE: 1/8" = 1'-0"



TYPICAL CROSS SECTION A-A
SCALE: 3/8" = 1'-0"



PLAN
SCALE: 1/4" = 1'-0"



ALTERNATE ROOF
SCALE: 1/4" = 1'-0"

THIS STEEPLY PITCHED ROOF PROVIDES MOW SPACE FOR STORAGE OF ADDITIONAL FEED & BEDDING, ALSO IS RECOMMENDED FOR USE WHEN NEEDED TO CONFORM TO THE APPEARANCE OF NEARBY BUILDINGS.

GENERAL NOTES:

- THIS BUILDING IS DESIGNED FOR USE IN AREAS WHERE SNOW LOAD DOES NOT EXCEED 30 POUNDS PER SQUARE FOOT AND WIND DOES NOT EXCEED 108 MPH.
- FOR AREAS WHERE THE SNOW LOAD DOES NOT EXCEED 20 LBS. PER SQ. FT., SPACE RAFTERS 24" O.C., USE THE TWO 2"x8" GIRDER.
 - FOR SNOW LOADS UP TO 30 LBS. PER SQ. FT., SPACE RAFTERS 16" O.C. AND USE A THREE 2"x8" GIRDER.
 - REGARDLESS OF SNOW LOAD, IF THE AREA IS SUBJECT TO WINDS OF HURRICANE FORCE, OVER 76 MPH, USE THE THREE 2"x8" GIRDER AND THE FASTENINGS AND PIER FOOTINGS SHOWN IN PARENTHESIS (...)
 - STALL WINDOWS:
HOT CLIMATES... USE THREE SASH, AS SHOWN
MODERATE " ... " TWO " "
COLD " ... " ONE " "
 - FOUNDATION WALLS AND PIER FOOTINGS MUST BE DEEP ENOUGH TO BEAR ON SOLID GROUND, BELOW FROST LINE.

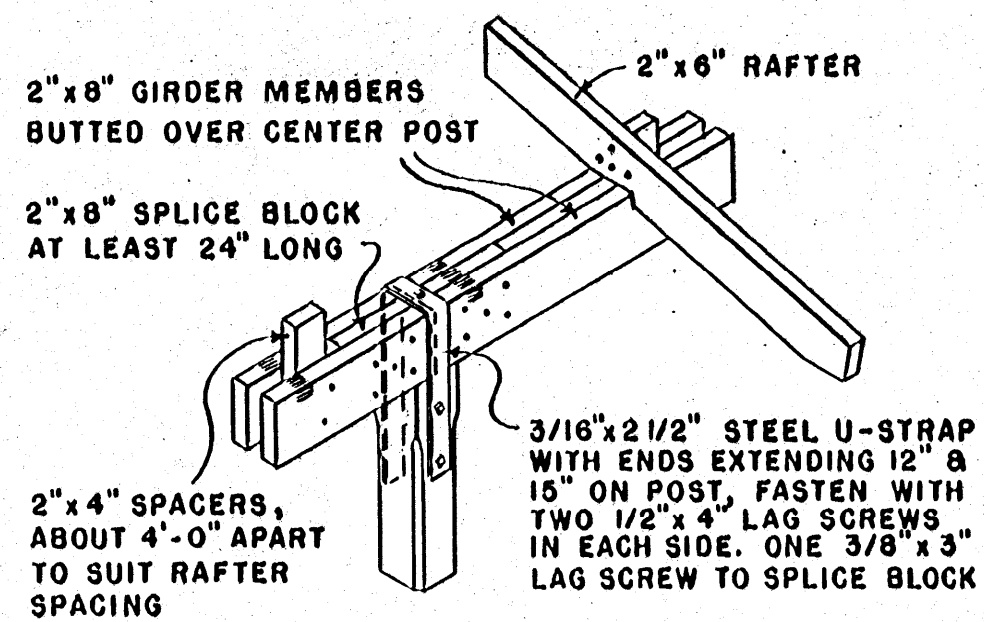
NOTE:

IF MOW IS USED, THE SMALLER ROOM AT RIGHT MAY BE USED FOR FEED STORAGE AND THE LARGER ROOM AT LEFT FOR TACK AND BUNK ROOM.

COOPERATIVE EXTENSION WORK IN
AGRICULTURE AND HOME ECONOMICS
STATE OF MISSISSIPPI
MISSISSIPPI STATE UNIVERSITY
AND
UNITED STATES DEPARTMENT OF AGRICULTURE COOPERATING

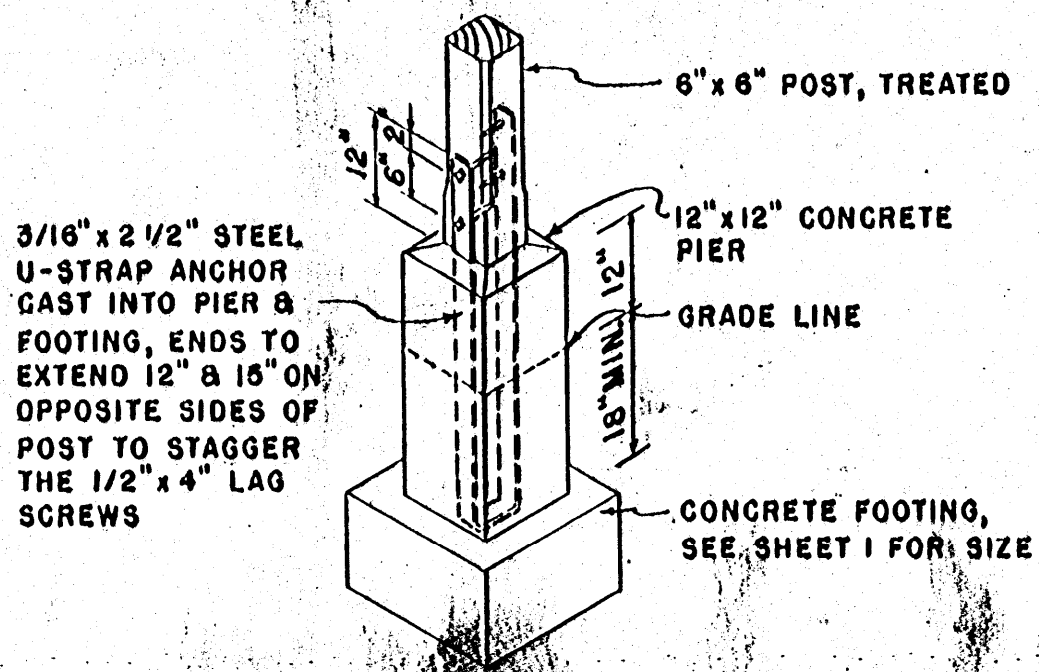
RIDING HORSE BARN

USDA	'57	EX. 5838	SHEET 1 OF 2
------	-----	----------	--------------

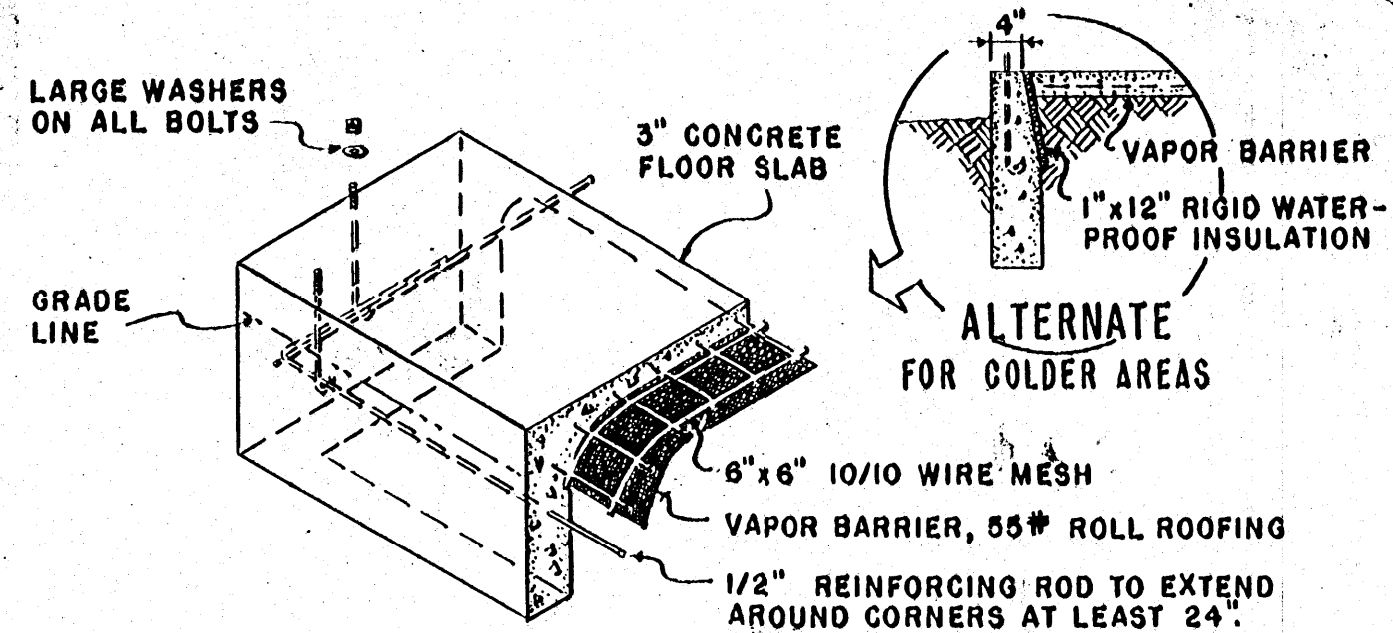


POST, GIRDER & RAFTER DETAIL

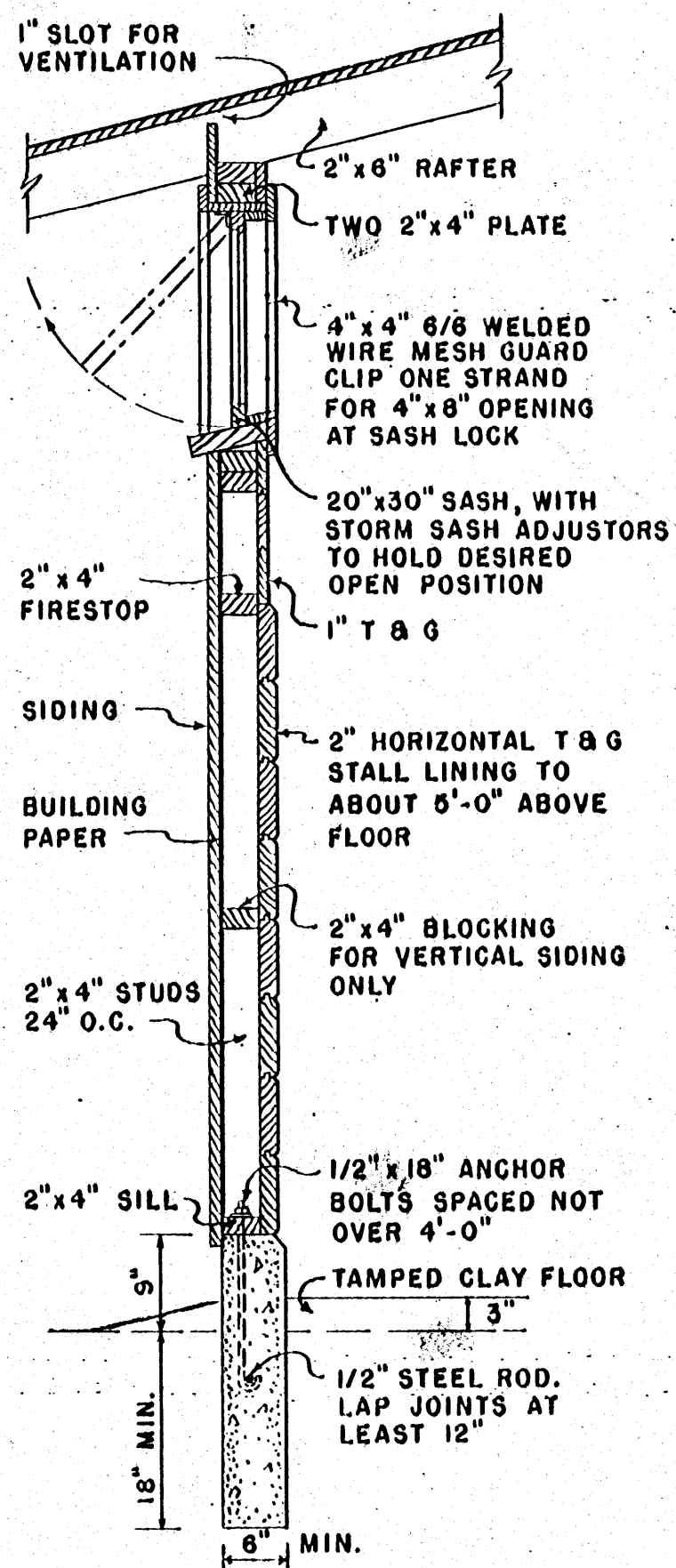
THE THREE PART GIRDER IS SIMILAR EXCEPT THE CENTER MEMBER JOINT SHALL BE 18" TO 30" FROM CENTER POST.



FOOTING, PIER & POST DETAIL

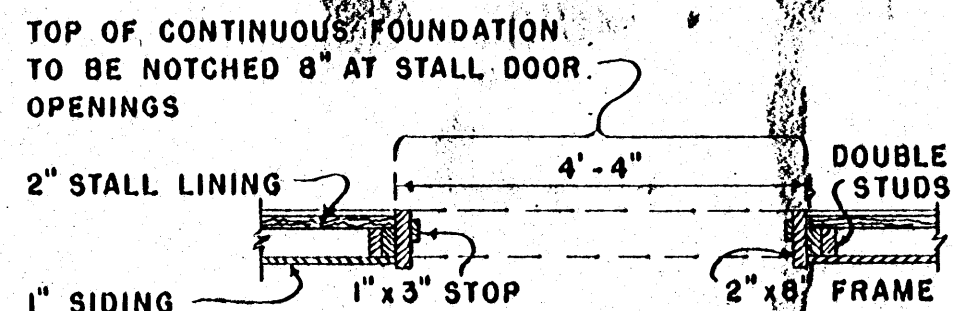


FOUNDATION & FLOOR DETAIL AT CORNER FOR FEED & TACK ROOMS

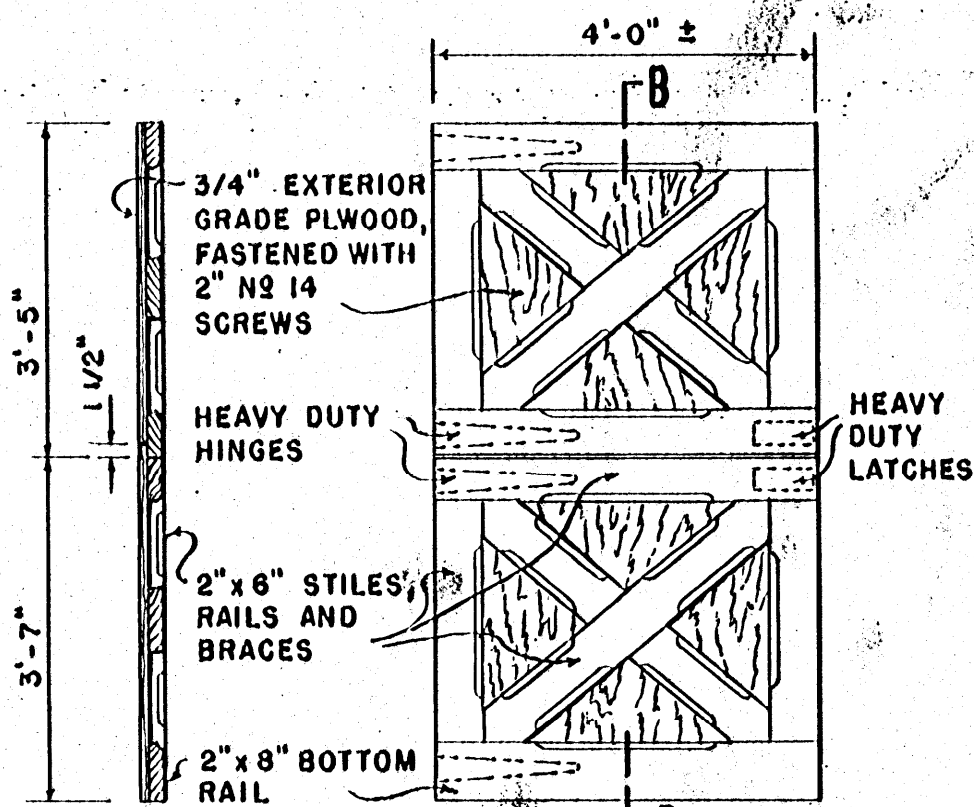


FOUNDATION, WALL & STALL WINDOW DETAIL

SCALE: 3/4" = 1'-0"

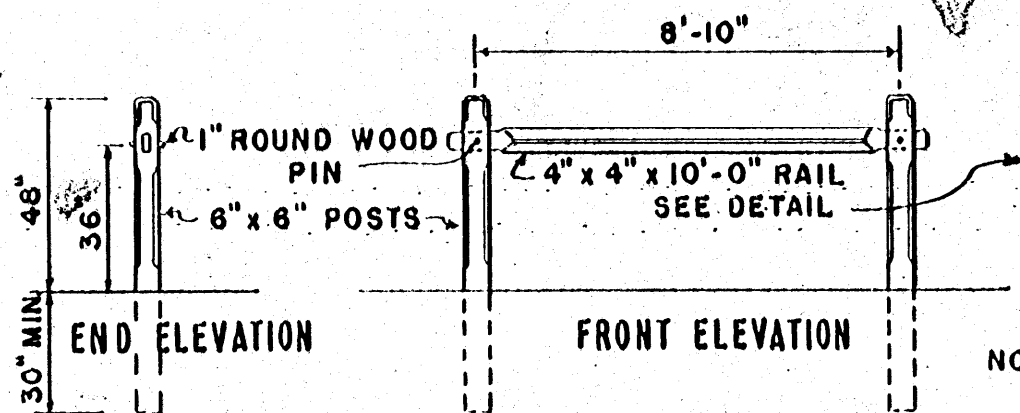


JAMB DETAIL



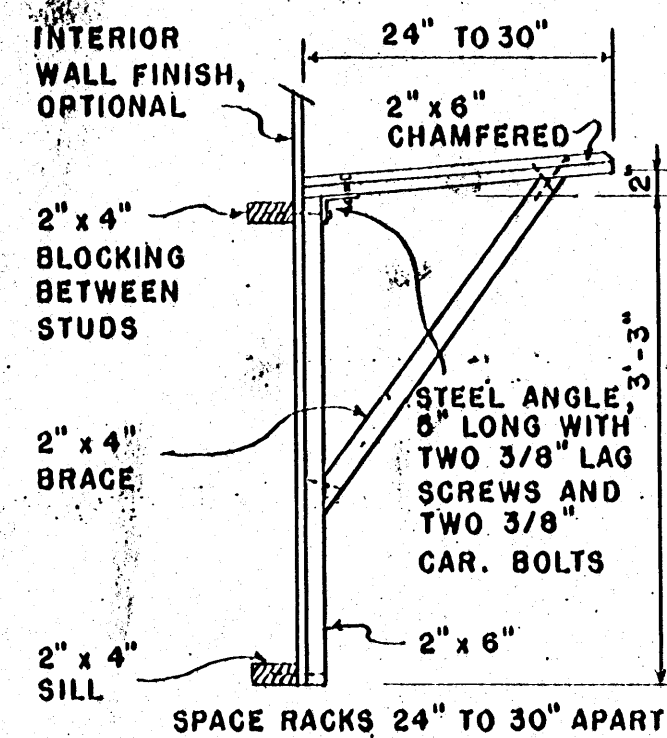
SECTION B-B STALL DOOR DETAILS

SCALE: 1/2" = 1'-0"



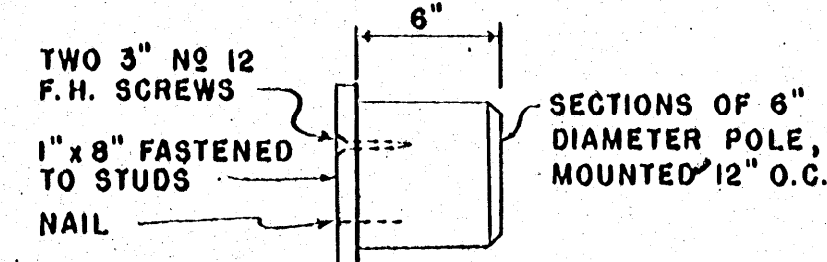
HITCHING RAIL

SCALE: 1/4" = 1'-0"



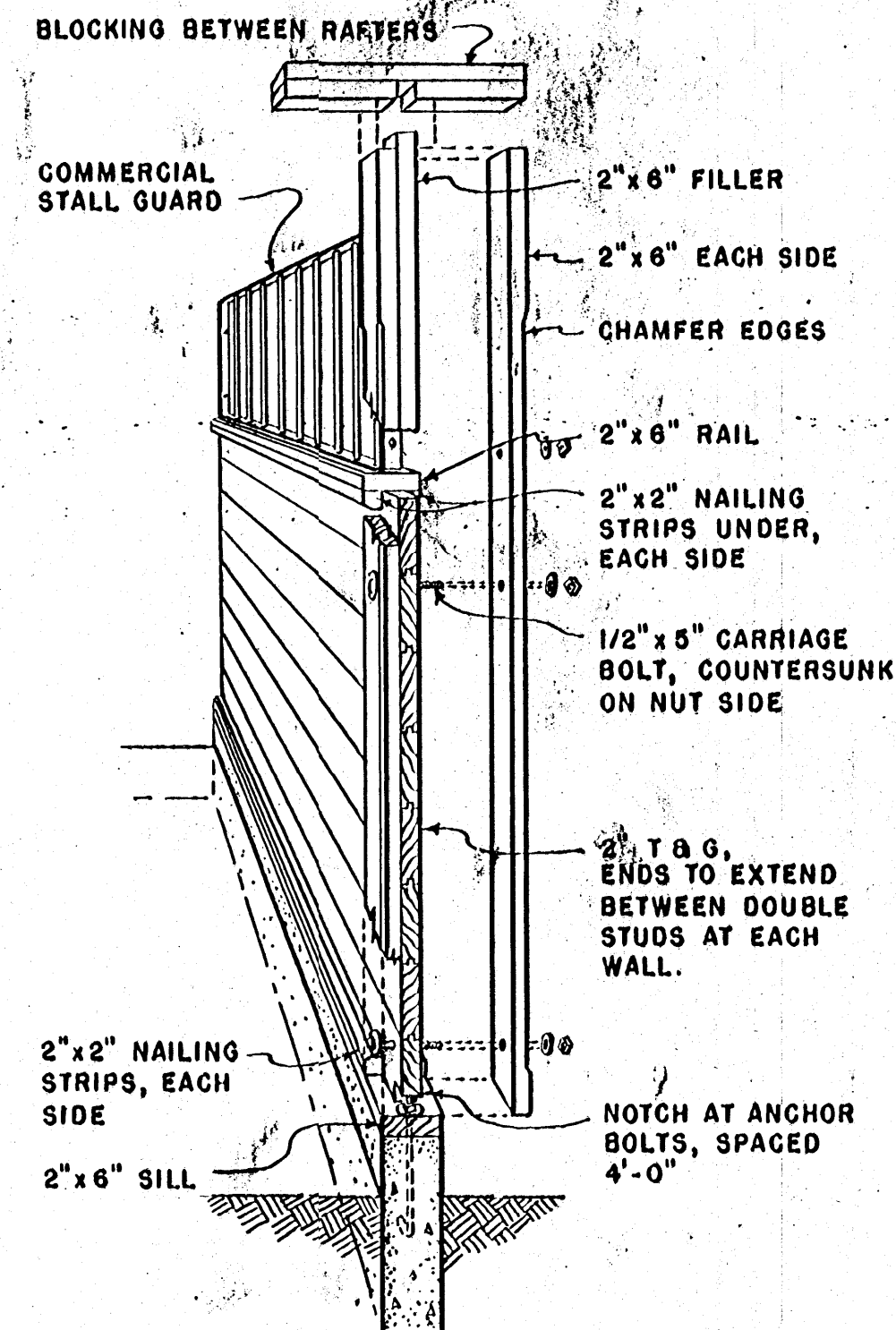
SADDLE RACK

SCALE: 3/4" = 1'-0"



BRIDLE RACK

SCALE: 1 1/2" = 1'-0"



CUTAWAY SECTION STALL PARTITION

COOPERATIVE EXTENSION WORK IN AGRICULTURE AND HOME ECONOMICS STATE OF MISSISSIPPI MISSISSIPPI STATE UNIVERSITY AND UNITED STATES DEPARTMENT OF AGRICULTURE COOPERATING

RIDING HORSE BARN

NOTE: RAIL & POSTS TO BE TREATED WITH PRESERVATIVE AFTER SHAPING.