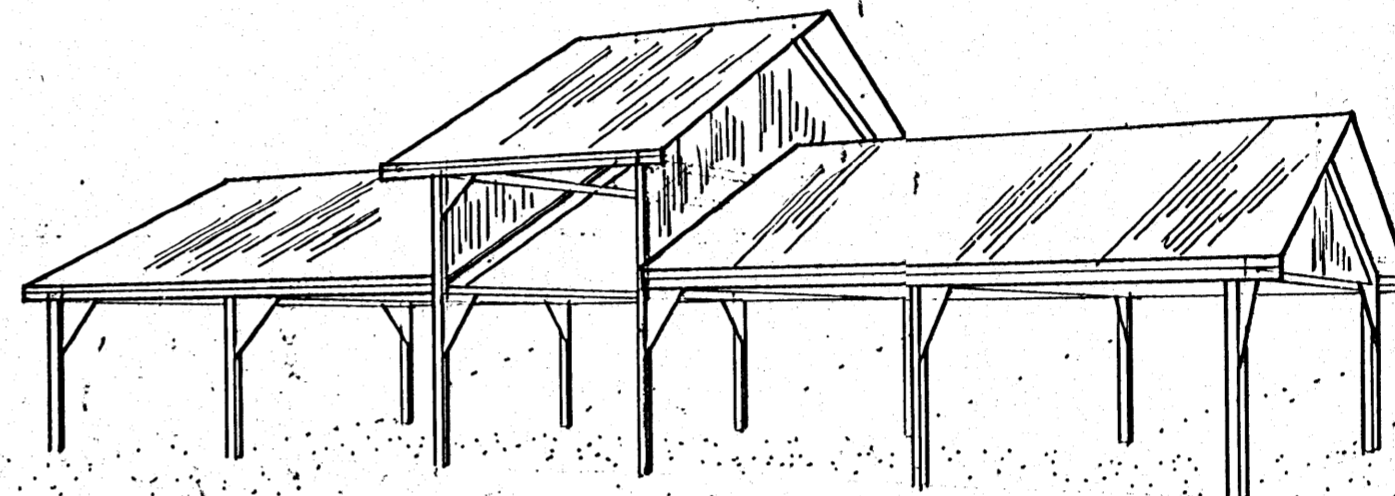
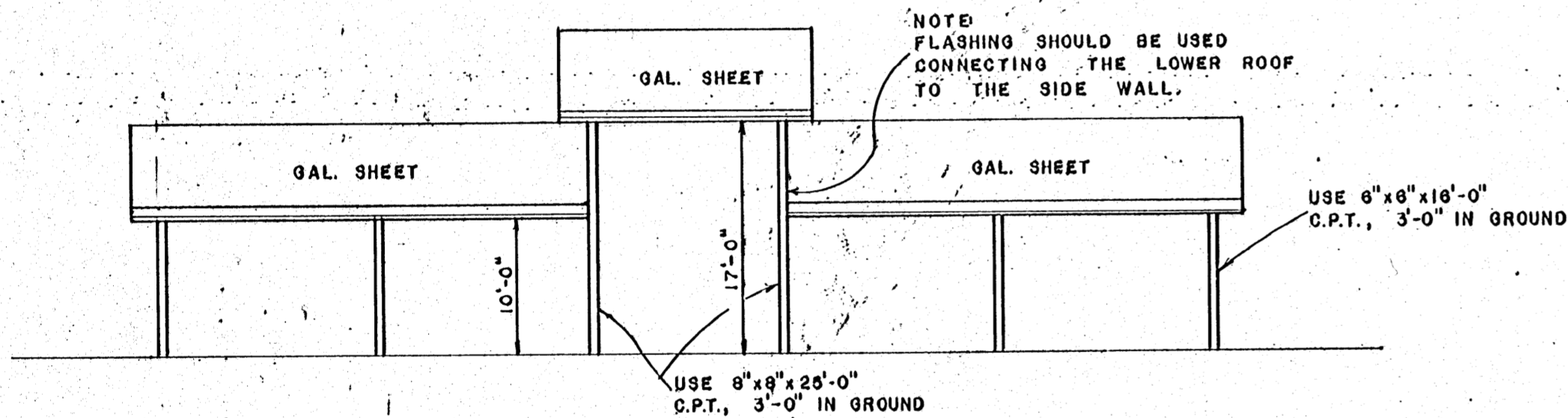


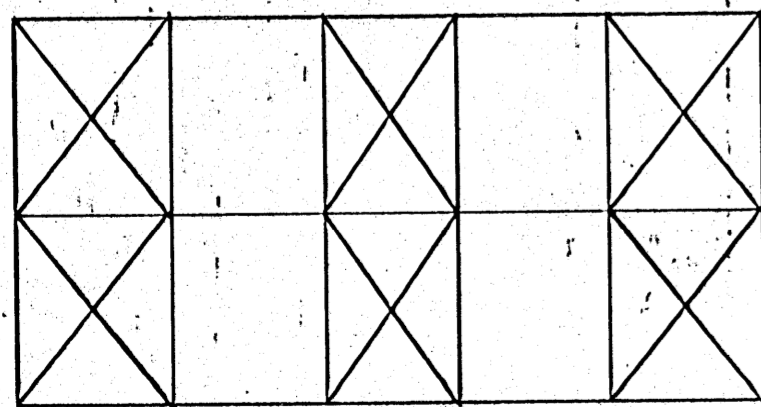
**ROOF PLAN**  
SCALE: 3/32" = 1'-0"



**PERSPECTIVE**



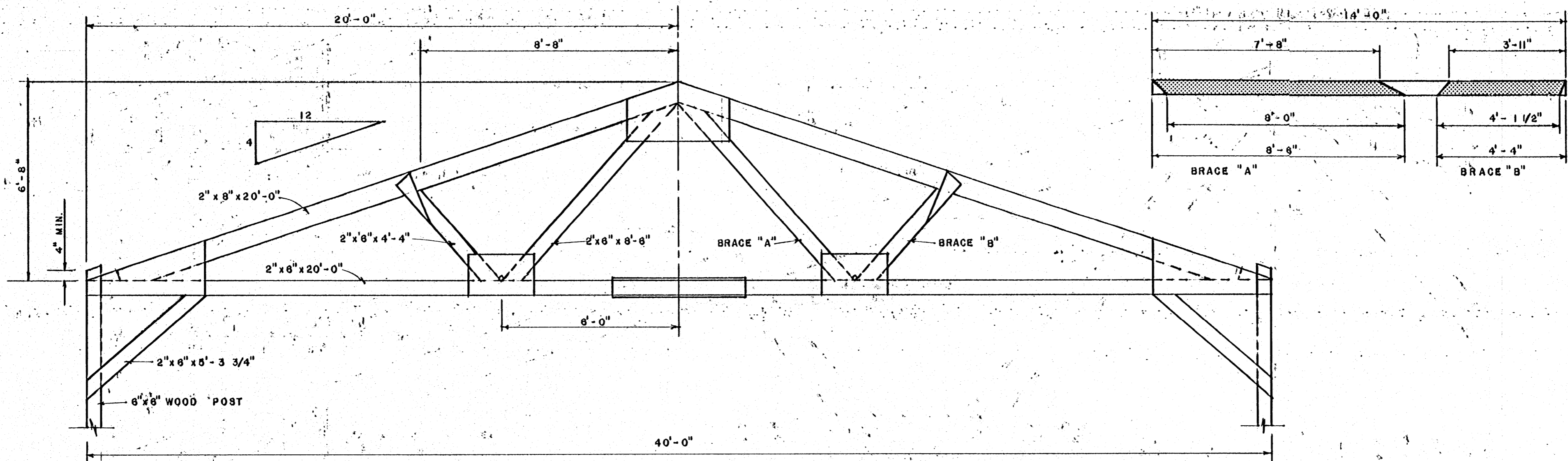
**FRONT ELEVATION**  
SCALE: 3/32" = 1'-0"



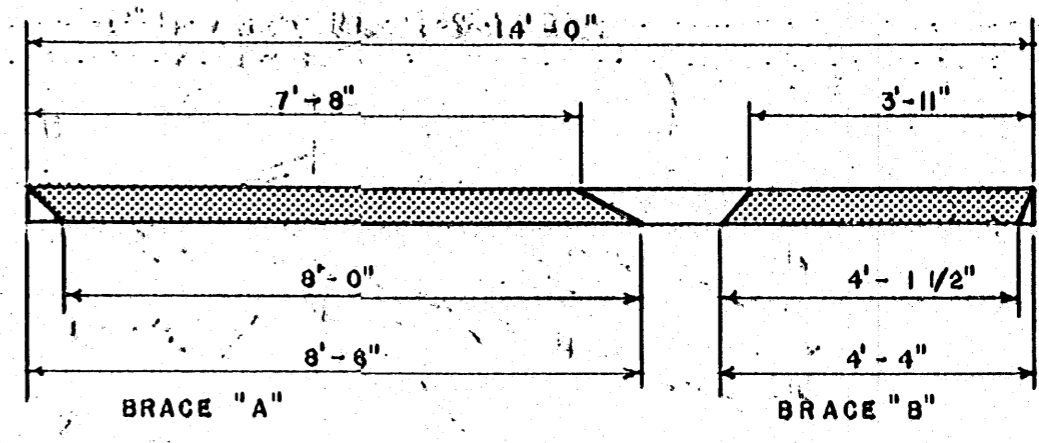
**ROOF BRACING SYSTEM**

NOTE:  
USE 1" x 6" BRACES  
NAILED UNDER PURLINS

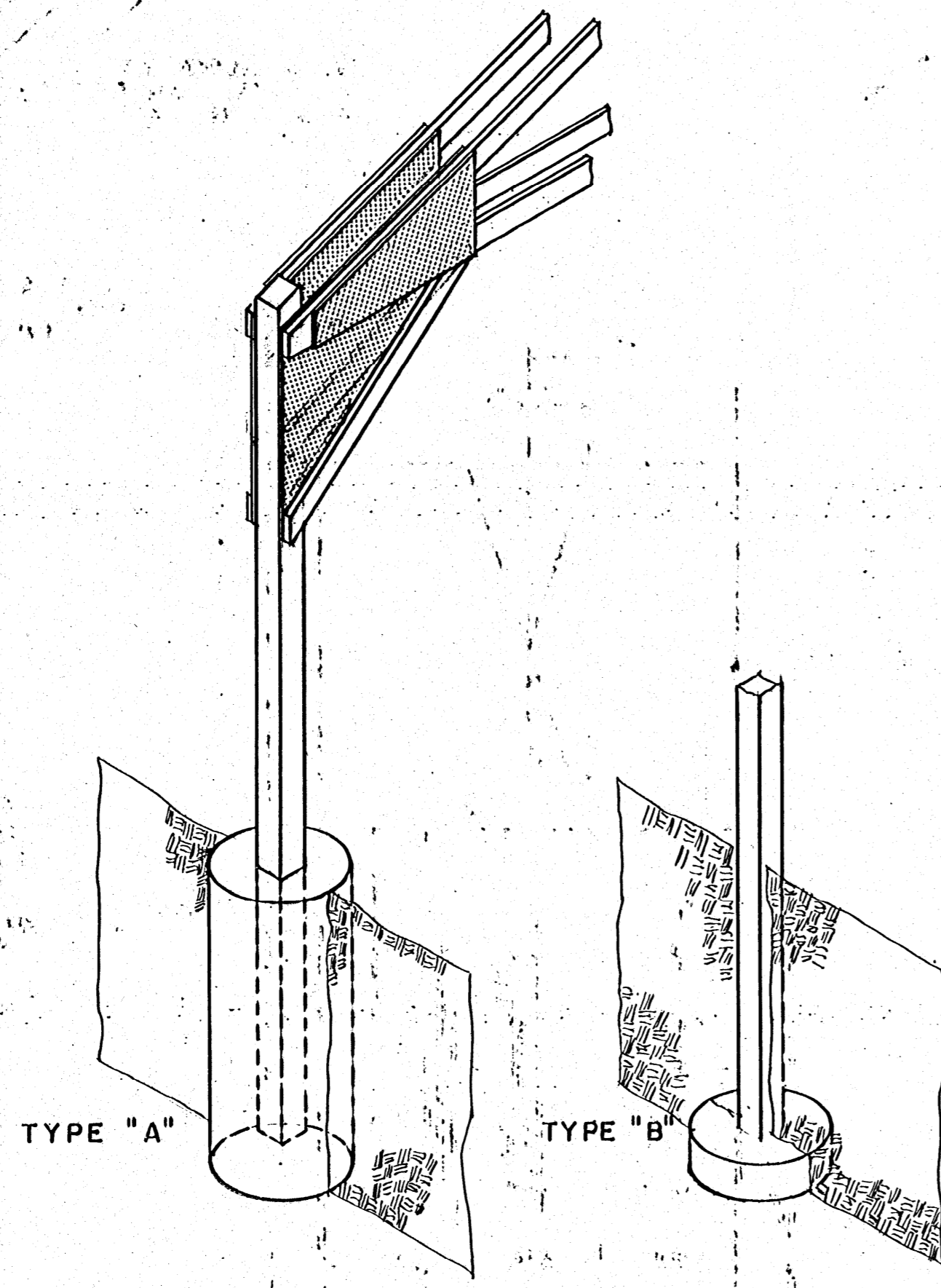
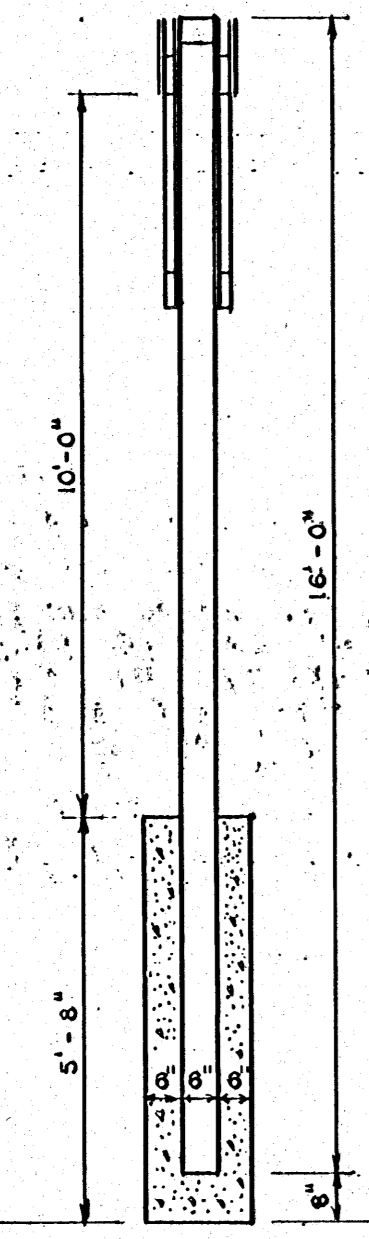
<b>IMPLEMENT SHED</b>		
COOPERATIVE EXTENSION SERVICE STATE OF MISSISSIPPI MISSISSIPPI STATE UNIVERSITY AND UNITED STATES DEPARTMENT OF AGRICULTURE COOPERATING		
DRAWN BY: R.F.W.	CHECKED BY: L.M.	
DATE: JULY, 71	DWG. NO. 5841-B	SHT. 1 of 3



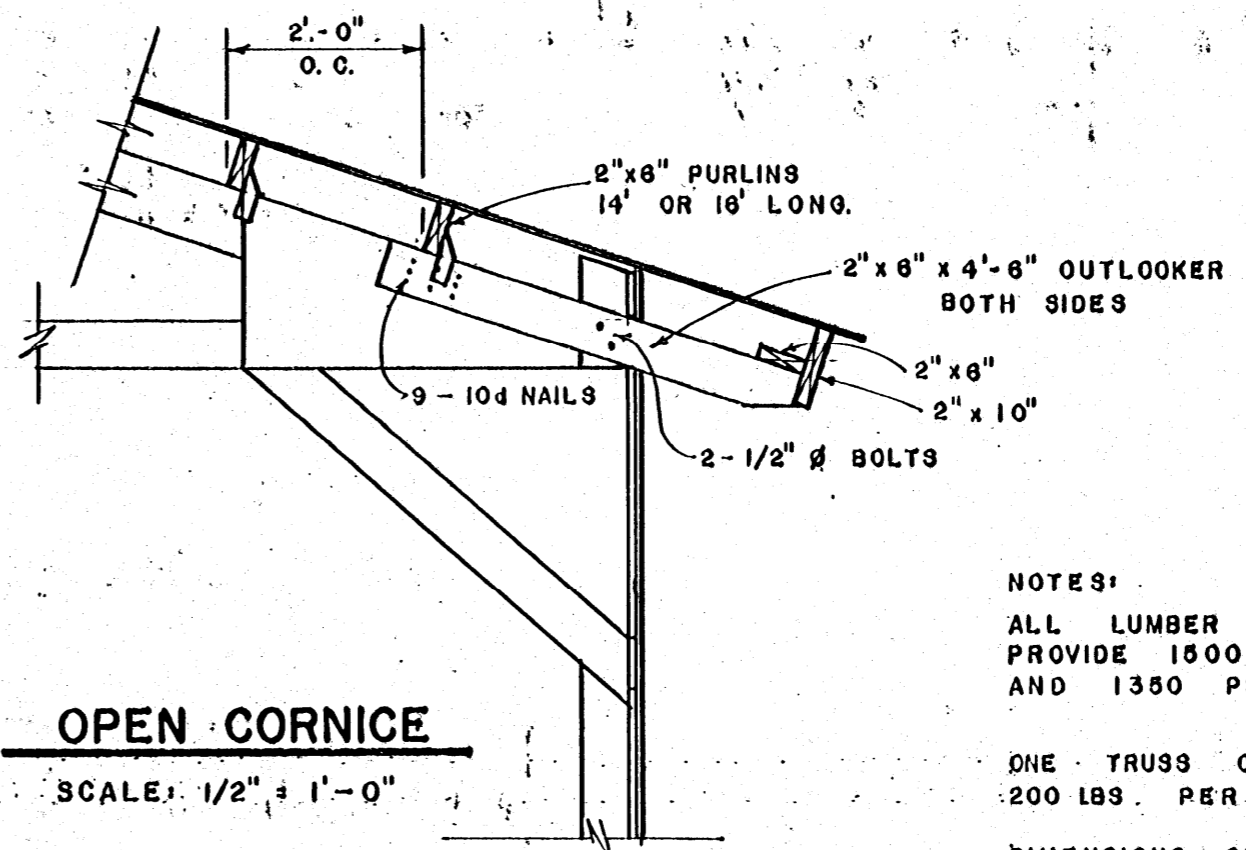
**ELEVATION OF TRUSS**  
(NEAR SIDE)



NOTE:  
OVER 10' USE 8" x 8"  
OR 10" TOP Ø.  
SHAPE POLE TO FORM  
NAILING STRIP

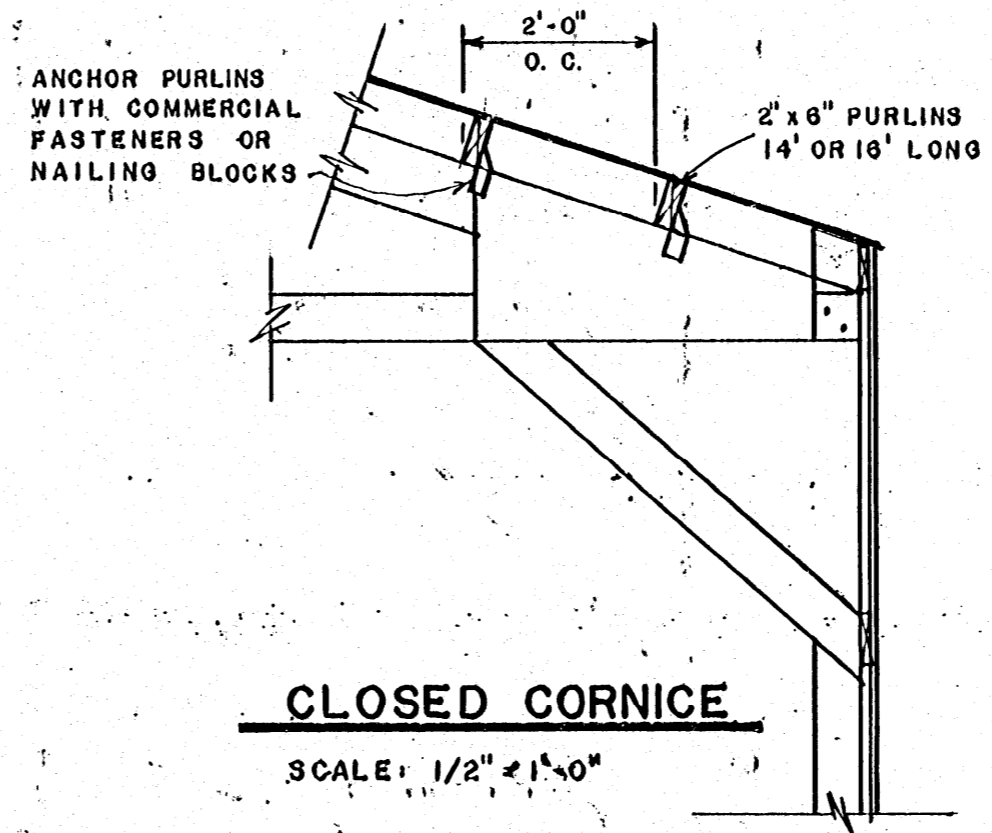


**DETAILS SHOWING POST & TYPES OF FOOTINGS**



**OPEN CORNICE**  
SCALE: 1/2" = 1'-0"

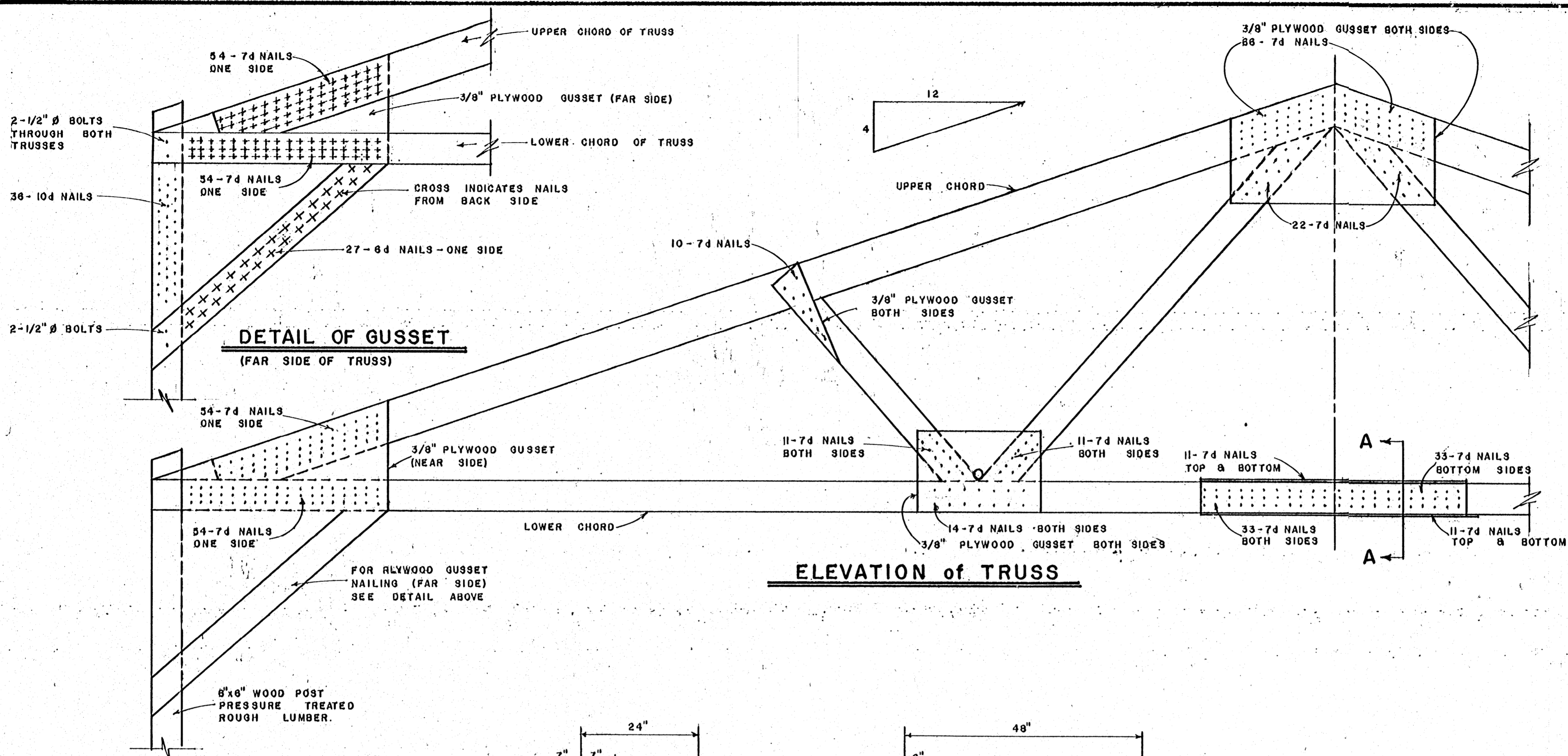
NOTES:  
ALL LUMBER SHALL BE STRESS GRADED TO  
PROVIDE 1500 PSI FIBER STRESS IN BENDING,  
AND 1350 PSI IN COMPRESSION.  
  
ONE TRUSS CAN SAFELY CARRY A LOAD OF  
200 LBS. PER FOOT. OF SPAN  
  
DIMENSIONS OF MEMBERS SHOWN OTHER  
THAN POST ARE BASED ON THE USE OF  
DRESSED LUMBER



**CLOSED CORNICE**  
SCALE: 1/2" = 1'-0"

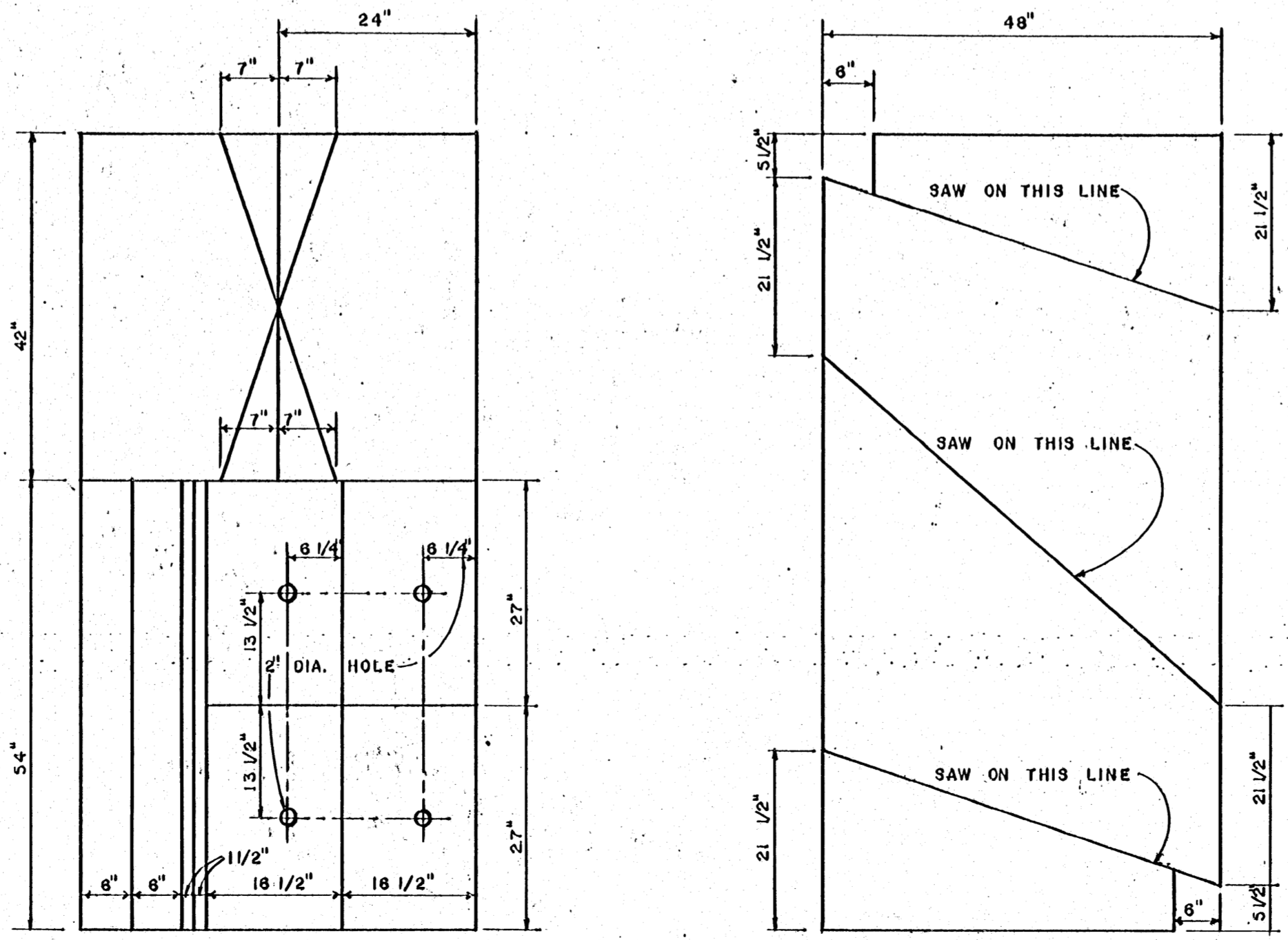
SCALE: 3/8" = 1'-0" UNLESS OTHERWISE NOTED.

<b>IMPLEMENT SHED</b>	
COOPERATIVE EXTENSION SERVICE STATE OF MISSISSIPPI MISSISSIPPI STATE UNIVERSITY AND UNITED STATES DEPARTMENT OF AGRICULTURE COOPERATING	
DRAWN BY: R.F.W.	CHECKED BY: L.M.
DATE: JULY, '71	DWG. NO. 5841-B SHT. 2 of 3

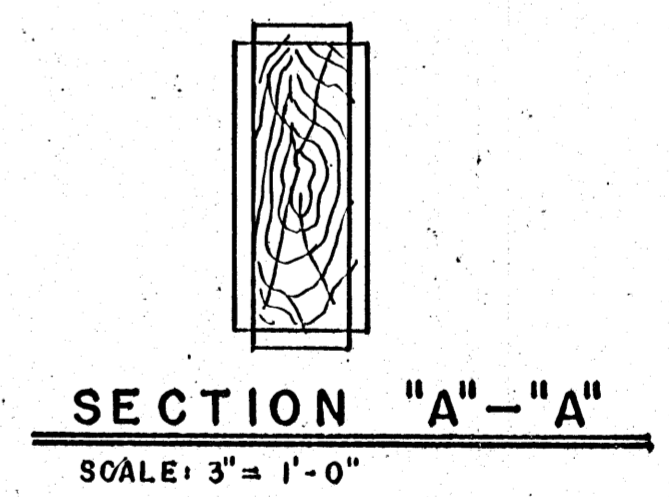


**ELEVATION of TRUSS**

**DETAIL OF GUSSET (FAR SIDE OF TRUSS)**



**GUSSET DETAILS**  
3/8" x 48" x 96" EXTERIOR TYPE PLYWOOD



**NOTES:**  
ALL NAILS ARE COMMON SIZE  
USE HOT DIP GALVANIZED NAILS  
ONE HALF OF THE 7d NAILS ARE NAILED FROM ONE SIDE AND THE OTHER HALF ARE NAILED FROM OPPOSITE SIDE. WHEN DRIVING 7d NAILS, THE FAR GUSSET MUST BE FULLY SUPPORTED TO HOLD IT AGAINST THE LUMBER.  
PLYWOOD TO BE 3/8" EXTERIOR TYPE.

SCALE 3/4" = 1'-0" UNLESS OTHERWISE NOTED

<b>IMPLEMENT SHED</b>	
COOPERATIVE EXTENSION SERVICE STATE OF MISSISSIPPI MISSISSIPPI STATE UNIVERSITY AND UNITED STATES DEPARTMENT OF AGRICULTURE COOPERATING	
DRAWN BY: R.F.W.	CHECKED BY: L.M.
DATE: JULY, '71	DWG. NO. 5841-B SHT. 3 of 3