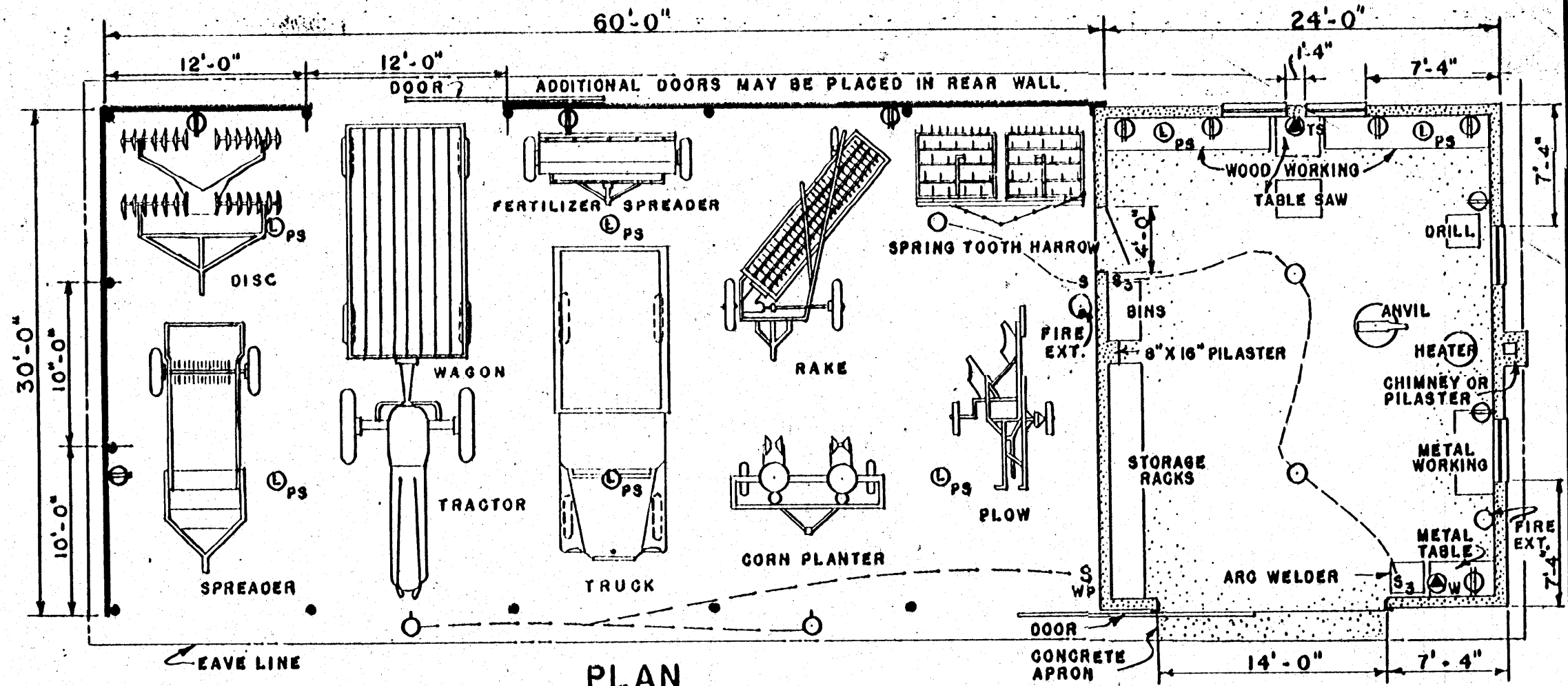
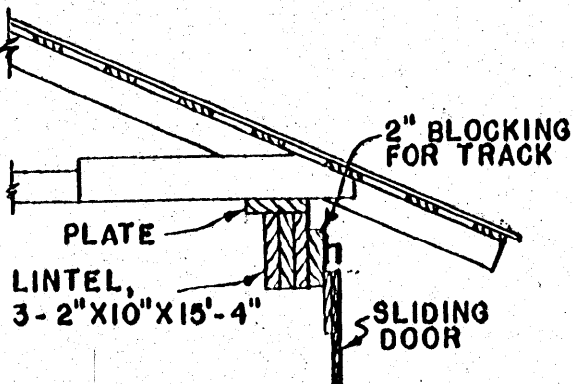


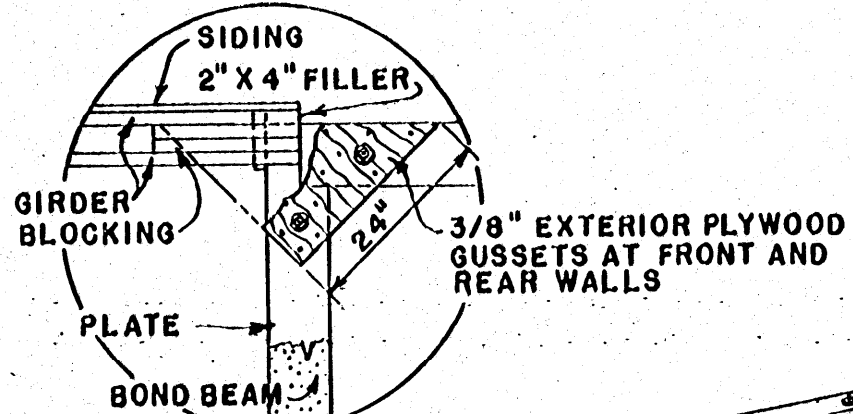
PERSPECTIVE VIEW



PLAN  
SCALE: 1/8" = 1'-0"



DETAIL AT LINTEL  
OVER SHOP DOOR



DETAIL OF EXTERIOR WALL

- WIRING LEGEND
- LIGHT OUTLET
  - ⊕ DUPLEX OUTLET
  - ⊕<sub>TS</sub> TABLE SAW OUTLET
  - ⊕<sub>PS</sub> LT. WITH PULL SW.
  - ⊕<sub>W</sub> WELDER OUTLET
  - ⊕<sub>3</sub> 3 WAY SWITCH
  - ⊕ SINGLE POLE SWITCH
  - ⊕<sub>WP</sub> WEATHERPROOF SW.

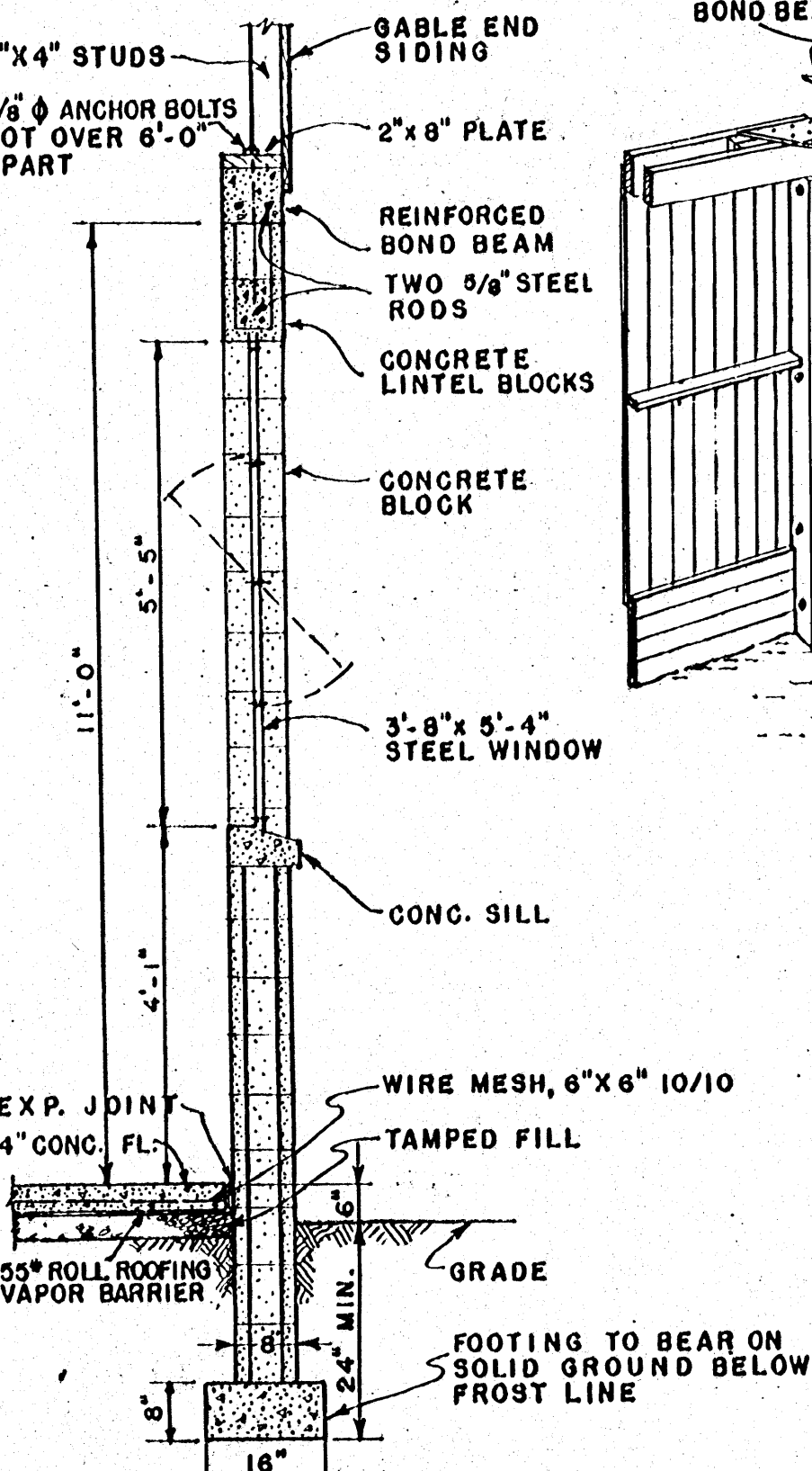
LIST OF MATERIALS

THIS LIST OF MATERIALS IS PREPARED FOR ESTIMATING PURPOSES. IF USED FOR THE PURCHASE OF MATERIALS, THE QUANTITIES SHOULD BE VERIFIED BY THE BUILDER.

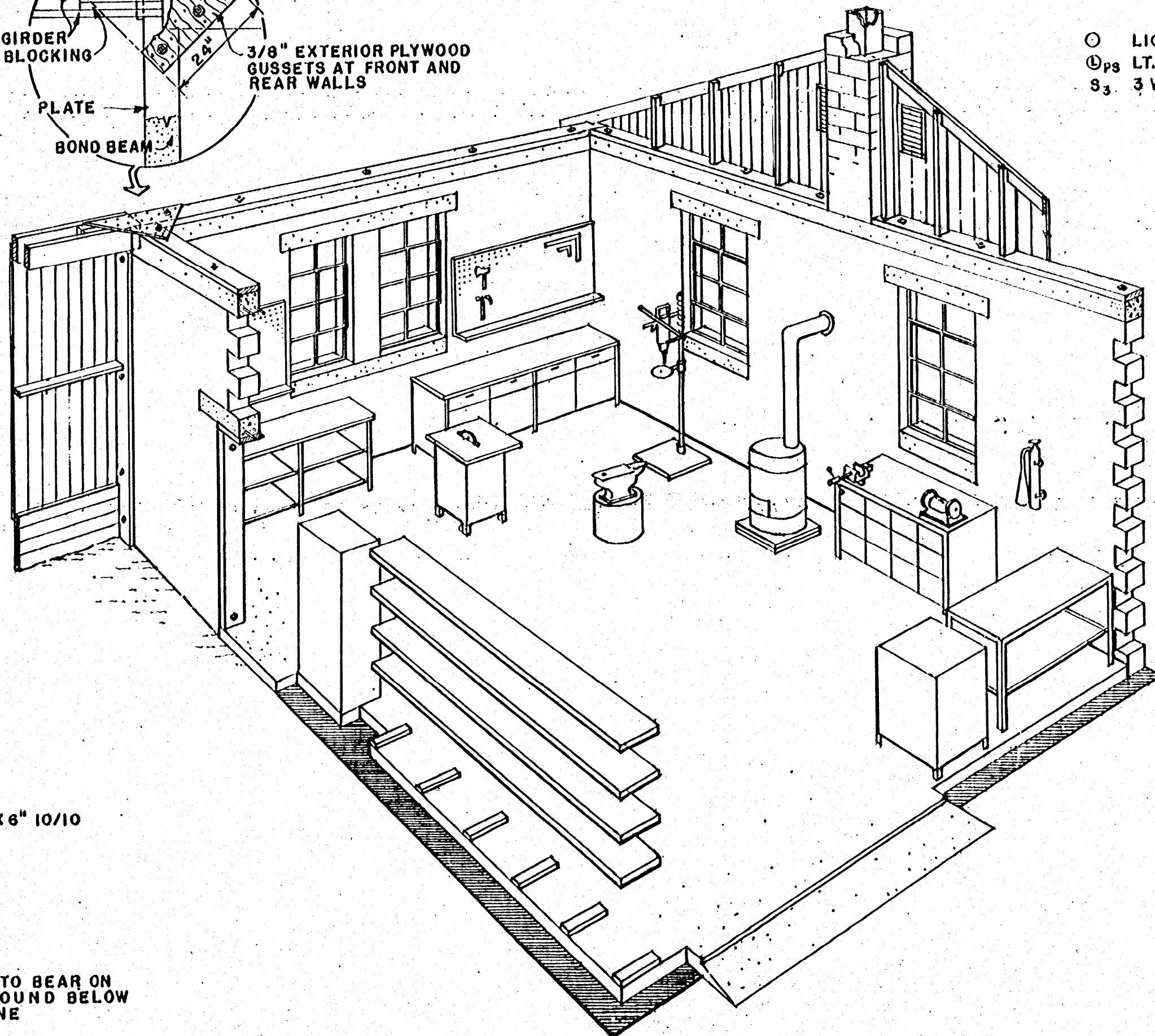
ITEM	UNIT	QUAN.
<b>CONCRETE:</b>		
FOOTING 1:3:5 MIX	CU. YD.	3.8
FLOOR, APRON, BOND BEAM ETC. 1:2:4 MIX	CU. YD.	11.4
BLOCK 8"X8"X16"	EACH	1446
8"X8"X8"	EACH	63
BLOCK LINTEL 8"X8"X16"	EACH	21
FLUE LINING 8"X8"X24"	EACH	8
MORTAR 1:3 MIX	CU. YD.	1.9
EXPANSION JOINT 1/2" X 4"	LIN. FT.	106
VAPOR BARRIER- ROLL ROOFING 55 LB.	ROLLS	7
REINFORCING STEEL-WIRE MESH 6"X6" 10/10	SQ. FT.	670
STEEL RODS 5/8" φ X 16'-0"	EACH	11
5/8" φ X 14'-0"	EACH	5
ANCHOR BOLTS 5/8" φ X 24"	EACH	22
STEEL SASH 3'-8" X 5'-5" (APPROX.)	EACH	4
METAL LOUVERS	EACH	2

(CONTINUED ON SHEET 2)

THIS BUILDING IS INTENDED PRIMARILY FOR USE IN AREAS NOT SUBJECT TO HIGH WINDS OR SNOW LOADS IN EXCESS OF 10 LBS. PER SQUARE FOOT. IN LOCALITIES WHERE WINDS OF HURRICANE FORCE (OVER 76 m.p.h.) OR SNOW LOADS UP TO 20 LBS. PER SQUARE FOOT MAY BE EXPECTED, USE THE MEMBER SIZES AND FASTENINGS SHOWN IN PARENTHESES (---) AS WELL AS THE OTHER DETAILS FOR HEAVY CONSTRUCTION.



TYPICAL SECTION  
(END WALL OF SHOP)  
SCALE: 1/2" = 1'-0"



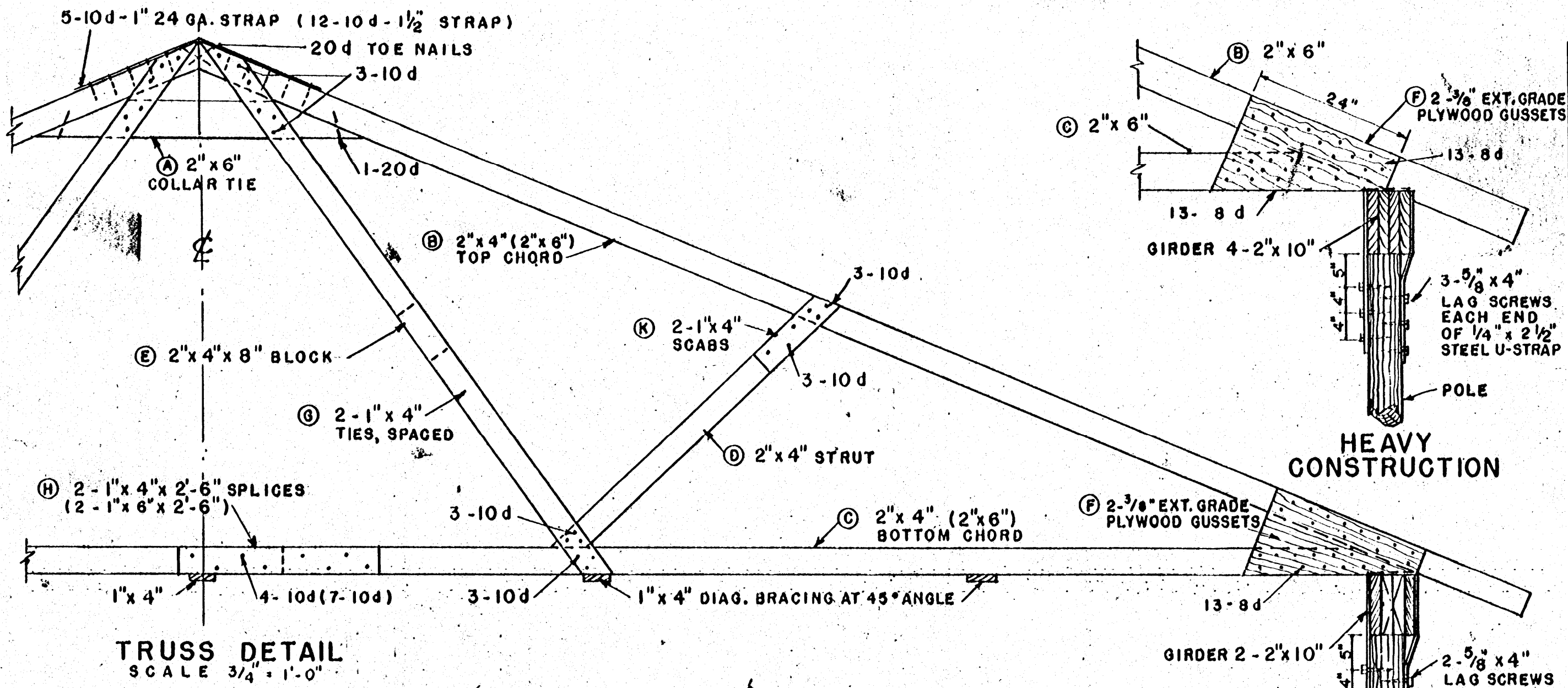
A TYPICAL SHOP ARRANGEMENT

COOPERATIVE EXTENSION WORK IN  
AGRICULTURE AND HOME ECONOMICS  
STATE OF MISSISSIPPI  
MISSISSIPPI STATE UNIVERSITY  
AND  
UNITED STATES DEPARTMENT OF AGRICULTURE COOPERATING

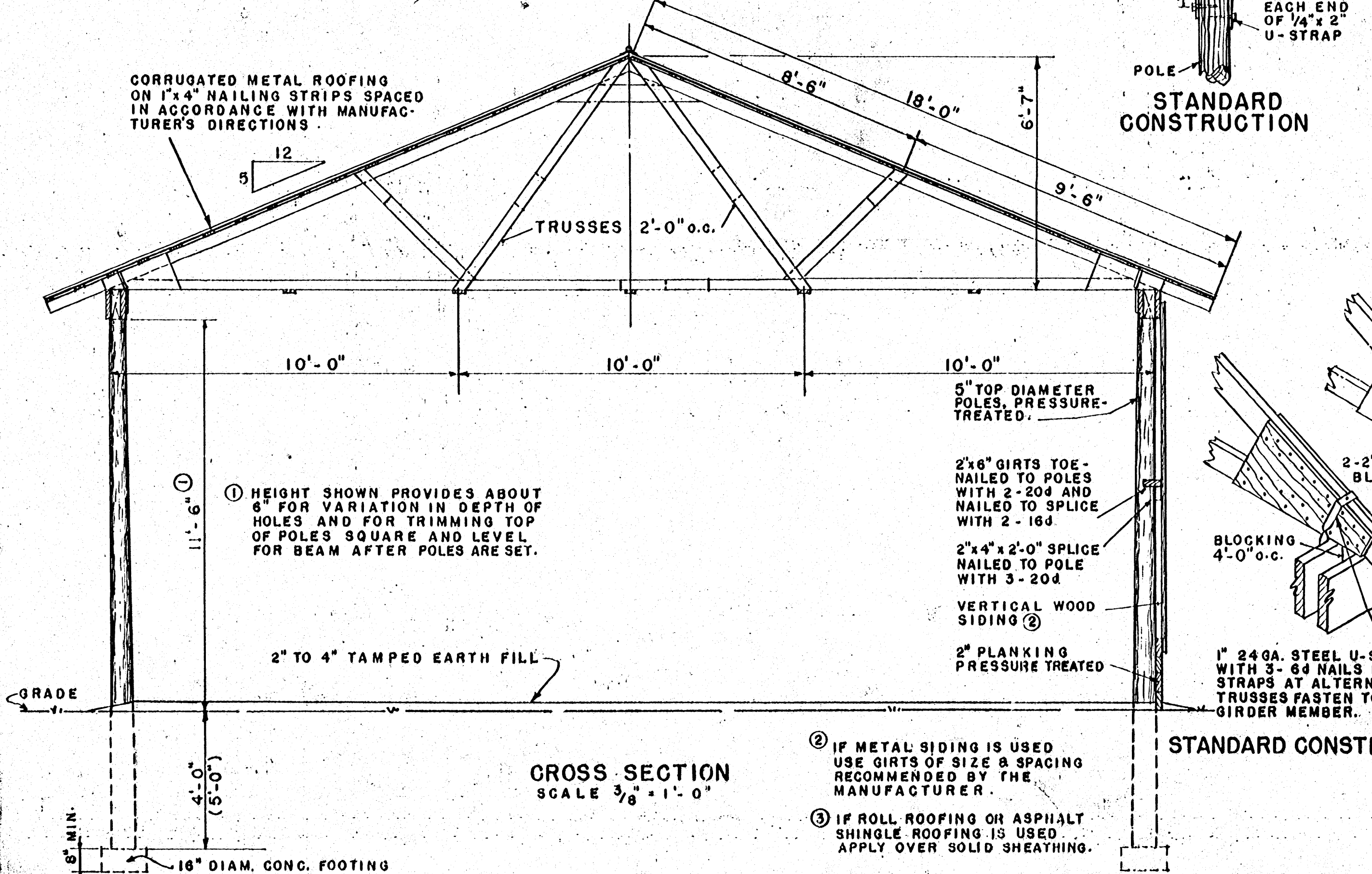
**MACHINERY STORAGE & SHOP**

USDA '57 EX. 5849 SHEET 1 OF 2

KERMIT R. RAY  
HOUSING & ARCHITECTURE, STATE COLLEGE, MISS.

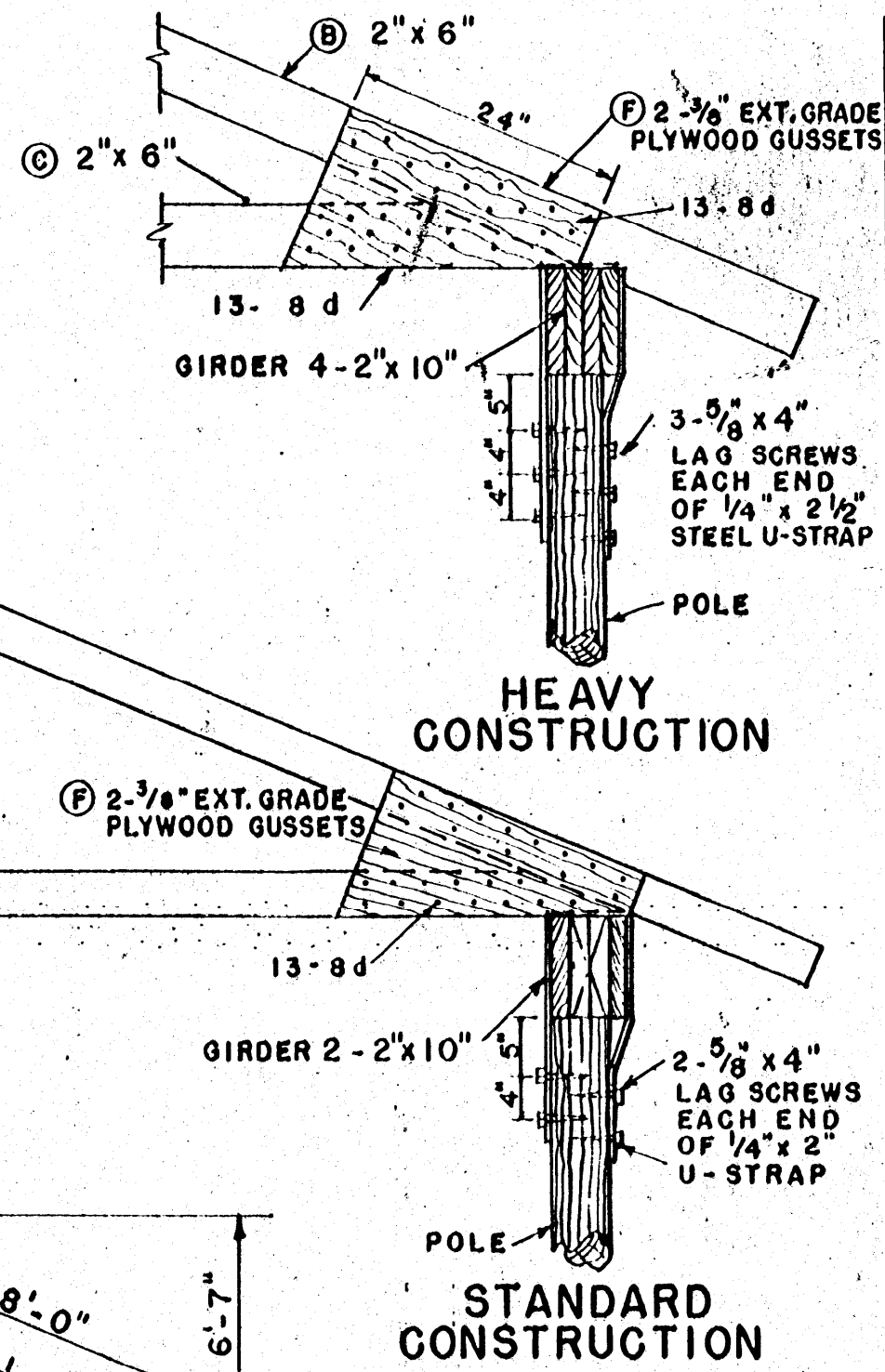


**TRUSS DETAIL**  
SCALE 3/4" = 1'-0"

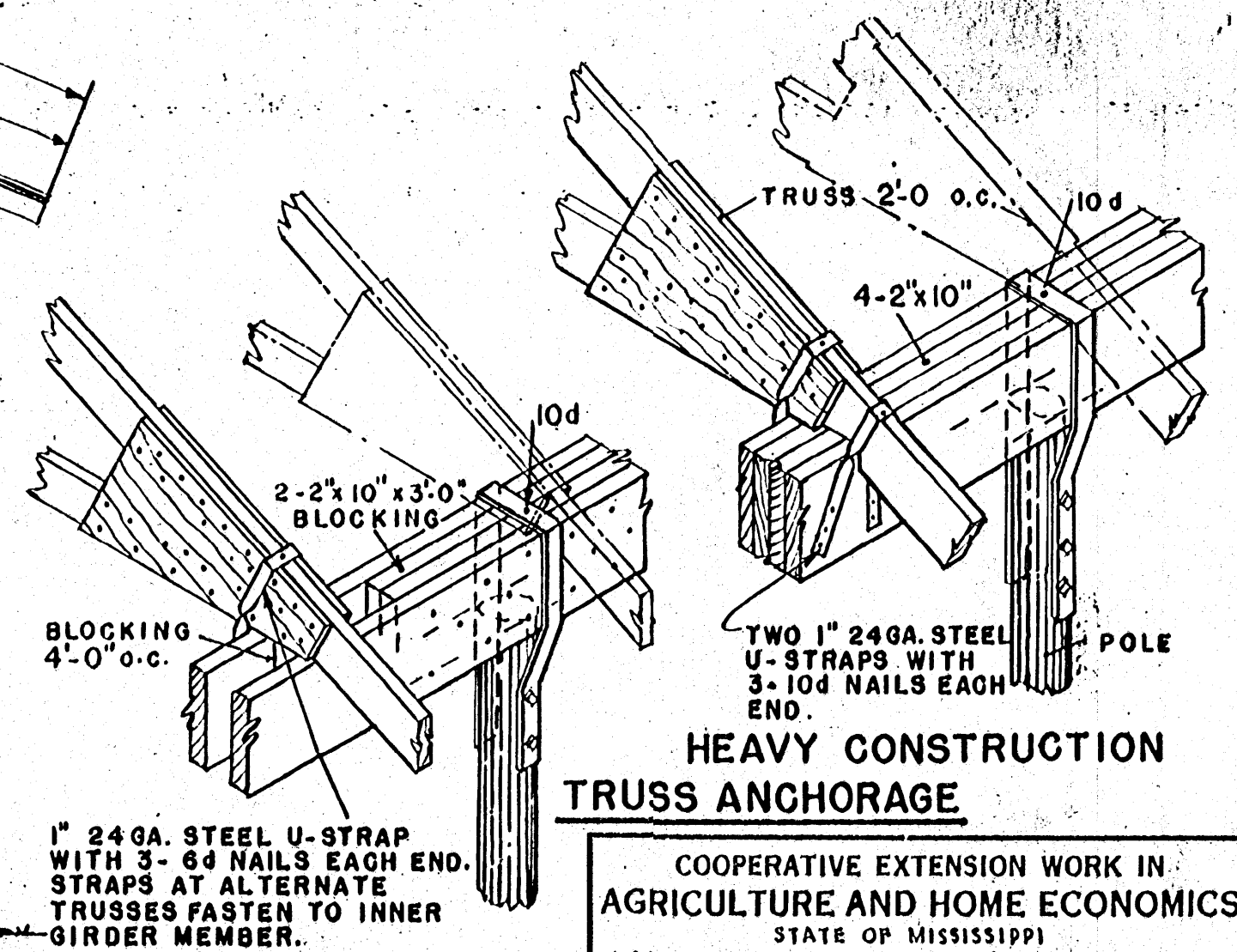


**CROSS SECTION**  
SCALE 3/8" = 1'-0"

- ① HEIGHT SHOWN PROVIDES ABOUT 6" FOR VARIATION IN DEPTH OF HOLES AND FOR TRIMMING TOP OF POLES SQUARE AND LEVEL FOR BEAM AFTER POLES ARE SET.
- ② IF METAL SIDING IS USED USE GIRTS OF SIZE & SPACING RECOMMENDED BY THE MANUFACTURER.
- ③ IF ROLL ROOFING OR ASPHALT SHINGLE ROOFING IS USED APPLY OVER SOLID SHEATHING.



**STANDARD CONSTRUCTION**



**HEAVY CONSTRUCTION TRUSS ANCHORAGE**

LIST OF MATERIALS (CONTINUED FROM SHEET NO.1)				
ITEM	STANDARD SIZE	PC.	HEAVY SIZE	PC.
<b>TRUSSES (TOTAL 42)</b>				
(A) COLLAR TIE	2" x 6" x 14'-0"	11	2" x 6" x 12'-0"	11
(B) TOP CHORD	2" x 4" x 18'-0"	84	2" x 6" x 18'-0"	84
(C) BOTTOM CHORD	2" x 4" x 14'-0"	42	2" x 6" x 14'-0"	42
(D) STRUT & (E) BLOCK	2" x 4" x 10'-0"	42	2" x 4" x 10'-0"	42
(F) GUSSET	4'-0" x 8'-0" x 3/8" EXT. PLY.	11	4'-0" x 8'-0" x 3/8" EXT. PLY.	11
(G) TIE & (K) SCAB	1" x 4" x 10'-0"	168	1" x 4" x 10'-0"	168
(H) SPLICES	1" x 4" x 10'-0"	21	1" x 6" x 10'-0"	21
DIAGONAL BRACING	1" x 4" 740 LIN. FT.		1" x 4" x 740 LIN. FT.	
POLES (PRESSURE TREATED)	16'-0" LONG	12	17'-0" LONG	12
NAILING GIRTS	2" x 4" x 16'-0"	4	2" x 4" x 16'-0"	4
	2" x 6" x 12'-0"	4	2" x 6" x 12'-0"	4
	2" x 6" x 10'-0"	3	2" x 6" x 10'-0"	3
	2" x 10" x 10'-0"	3	2" x 10" x 10'-0"	3
SPLASH BOARDS TREATED	2" x 6" x 12'-0"	18	2" x 6" x 12'-0"	18
PLATE	2" x 6" x 10'-0"	12	2" x 6" x 10'-0"	12
GIRDERS	2" x 8" x 16'-0"	7	2" x 8" x 16'-0"	7
	2" x 10" x 12'-0"	20	2" x 10" x 12'-0"	40
	2" x 10" x 16'-0"	3	2" x 10" x 16'-0"	3
BLOCKING & FILLERS	2" x 4" x 16'-0"	2	2" x 4" x 16'-0"	2
	2" x 4" x 10'-0"	2	2" x 4" x 10'-0"	2
	2" x 10" x 12'-0"	2	2" x 10" x 12'-0"	2
	2" x 4" x 16'-0"	2	2" x 4" x 16'-0"	2
	2" x 4" x 12'-0"	2	2" x 4" x 12'-0"	2
	2" x 4" x 18'-0"	2	2" x 4" x 18'-0"	2
	2" x 4" x 18'-0"	6	2" x 6" x 18'-0"	6
	2" x 4" x 12'-0"	6	2" x 6" x 12'-0"	6
SPLICE	2" x 4" x 12'-0"	2	2" x 4" x 12'-0"	2
GABLE END STUDS	2" x 4" x 16'-0"	2	2" x 4" x 16'-0"	2
END RAFTERS	2" x 4" x 18'-0"	6	2" x 6" x 18'-0"	6
DOOR FRAMING	2" x 6" x 12'-0"	6	2" x 6" x 12'-0"	6
SIDING & DOORS: 1842' BM. 1" BOARDS OR 14' SQS. OF MET. SIDING				
ROOF SHEATHING:	3344' OF 1" x 4" WOOD STRIPS, 12' & 14' LENGTHS.			
ROOFING:	23 SQUARES - 6" RIDGE CAP			
HARDWARE:	6 DOOR HANGERS, SLIDING DOOR TRACK 52', 1 1/2 PR. 6" STRAP HINGES, GUTTERS, DOWNSPOUTS, NAILS, STRAPS, PAINT AND LAG SCREWS.			

COOPERATIVE EXTENSION WORK IN  
**AGRICULTURE AND HOME ECONOMICS**  
 STATE OF MISSISSIPPI  
**MISSISSIPPI STATE UNIVERSITY**  
 AND  
 UNITED STATES DEPARTMENT OF AGRICULTURE COOPERATING

**MACHINERY STORAGE & SHOP**

USDA '57 EX. 5849 SHEET 2 OF 2

KERMIT R. RAY  
 HOUSING & ARCHITECTURE, STATE COLLEGE, MISS.