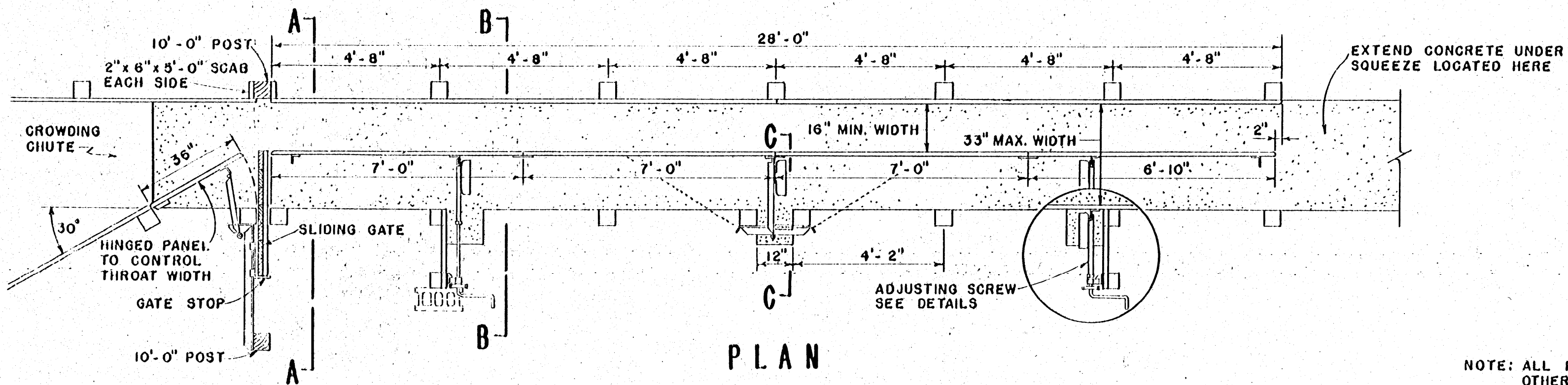


**ADJUSTING SCREW DETAILS**

(4 REQUIRED)

SCALE: 1/2" = 1' - 0"

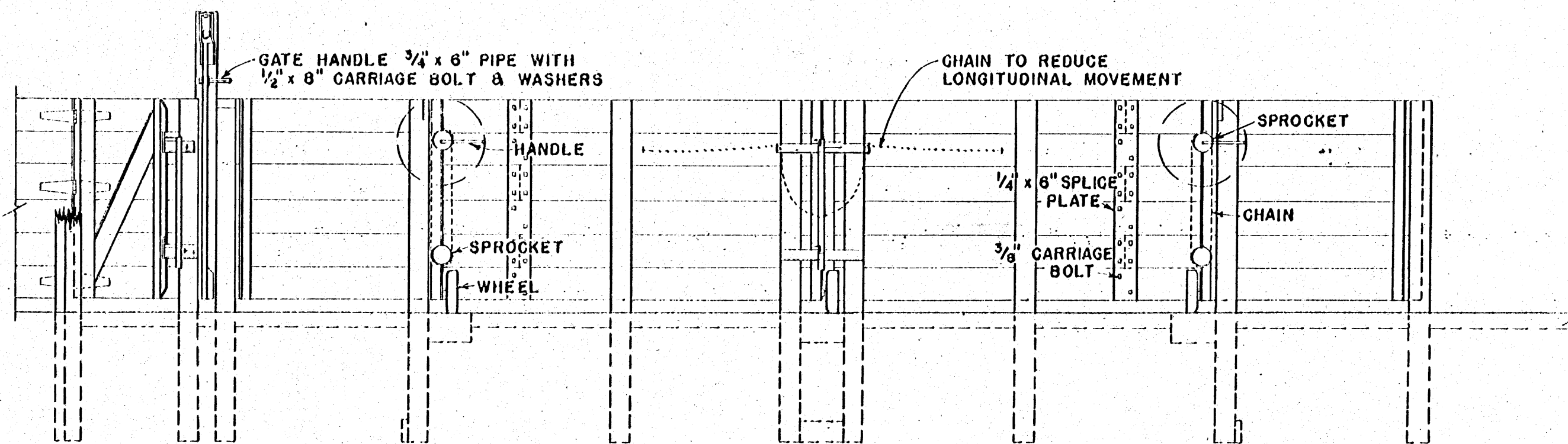


**PLAN**

NOTE: ALL POSTS ARE 6" x 6" x 8'-0" UNLESS OTHERWISE NOTED.

2" x 10" PLANKING FOR FIXED & MOVABLE SIDES ALL 14'-0" LENGTHS WHICH MAY BE CUT TO PROVIDE STAGGERED JOINTS.

ALL WOOD TO BE PRESSURE-TREATED WITH PRESERVATIVE.



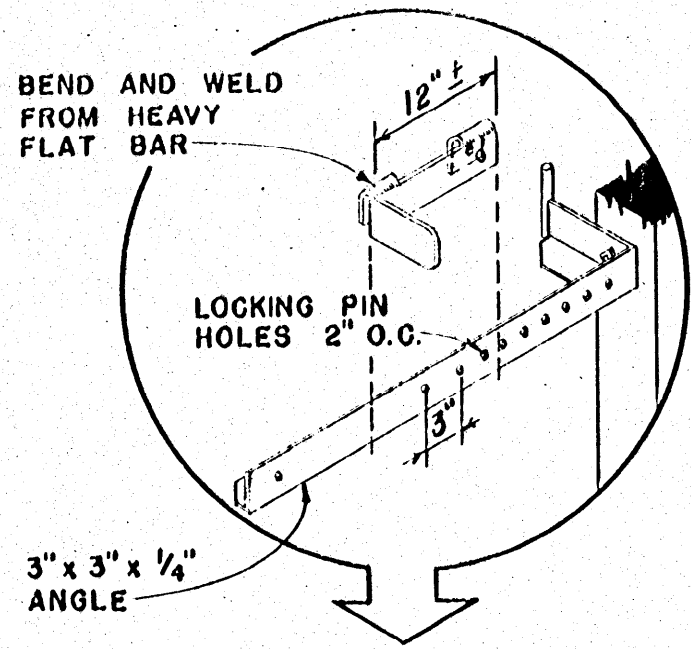
**ELEVATION**  
(OPERATORS SIDE)

SCALE: 3/8" = 1' - 0" UNLESS OTHERWISE NOTED

COOPERATIVE EXTENSION WORK IN  
AGRICULTURE AND HOME ECONOMICS  
STATE OF MISSISSIPPI  
MISSISSIPPI STATE UNIVERSITY  
UNITED STATES DEPARTMENT OF AGRICULTURE COOPERATING

**VARIABLE WIDTH CHUTE**  
FOR CATTLE

CAL '58 EX. 5850 SHEET 1 OF 2



BEARING PLATE BOLTS LOCATED NEAR CENTER OF 6" x 6" POST

BEARING PLATE 4" WIDE

THRUST BEARING

3/16" PLATE ANGLE BRACKET

1/2" GARRIAGE BOLTS

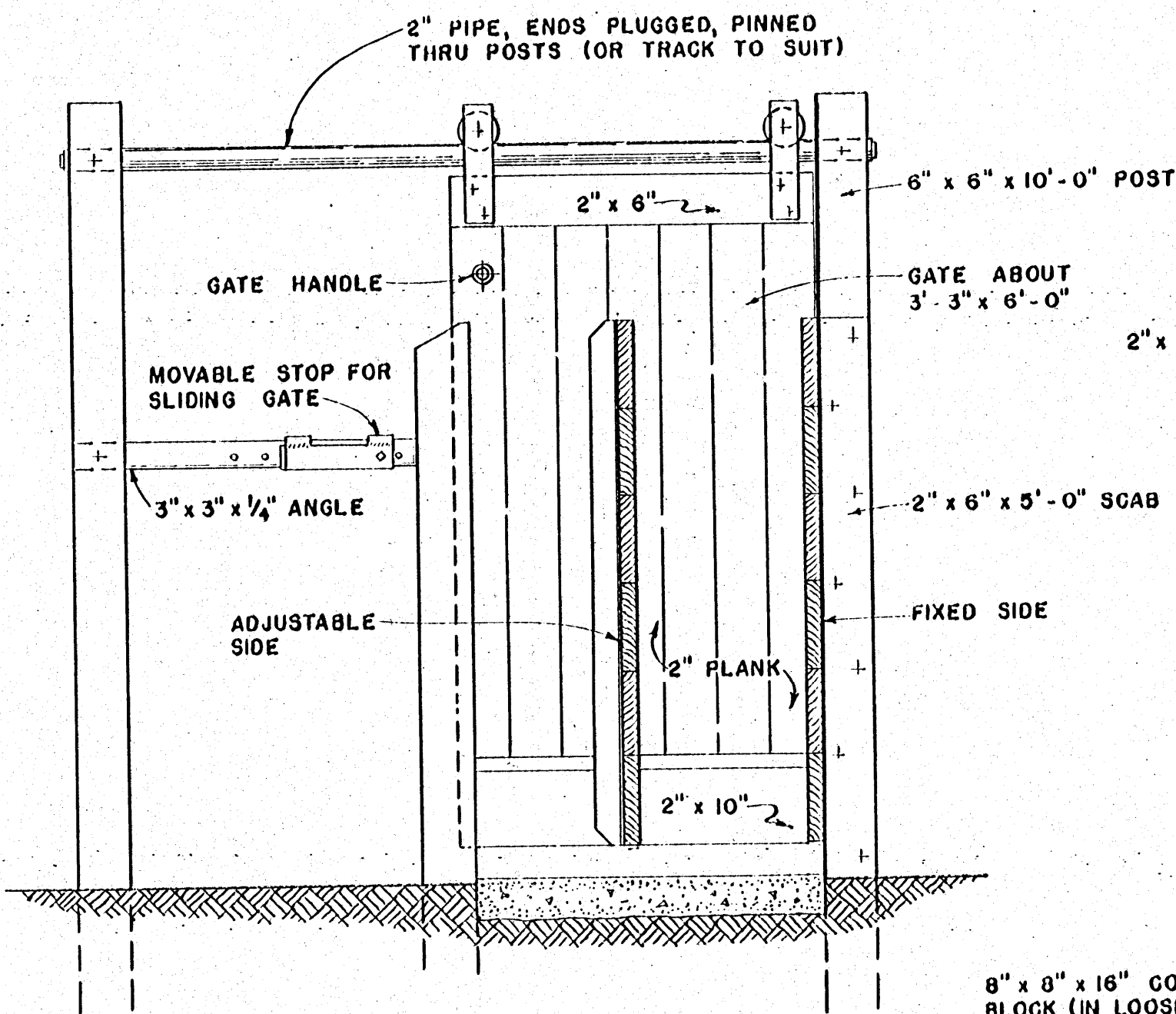
12" DIA. STEEL WHEEL

NOTCH FOR CHAIN

6" LENGTH OF 1/4" PIPE, SPLIT TO SLIDE ON ANGLE (THIS IS TO PREVENT NOTCHES FROM ENGAGING 3" x 3" ANGLE DURING ADJUSTMENT)

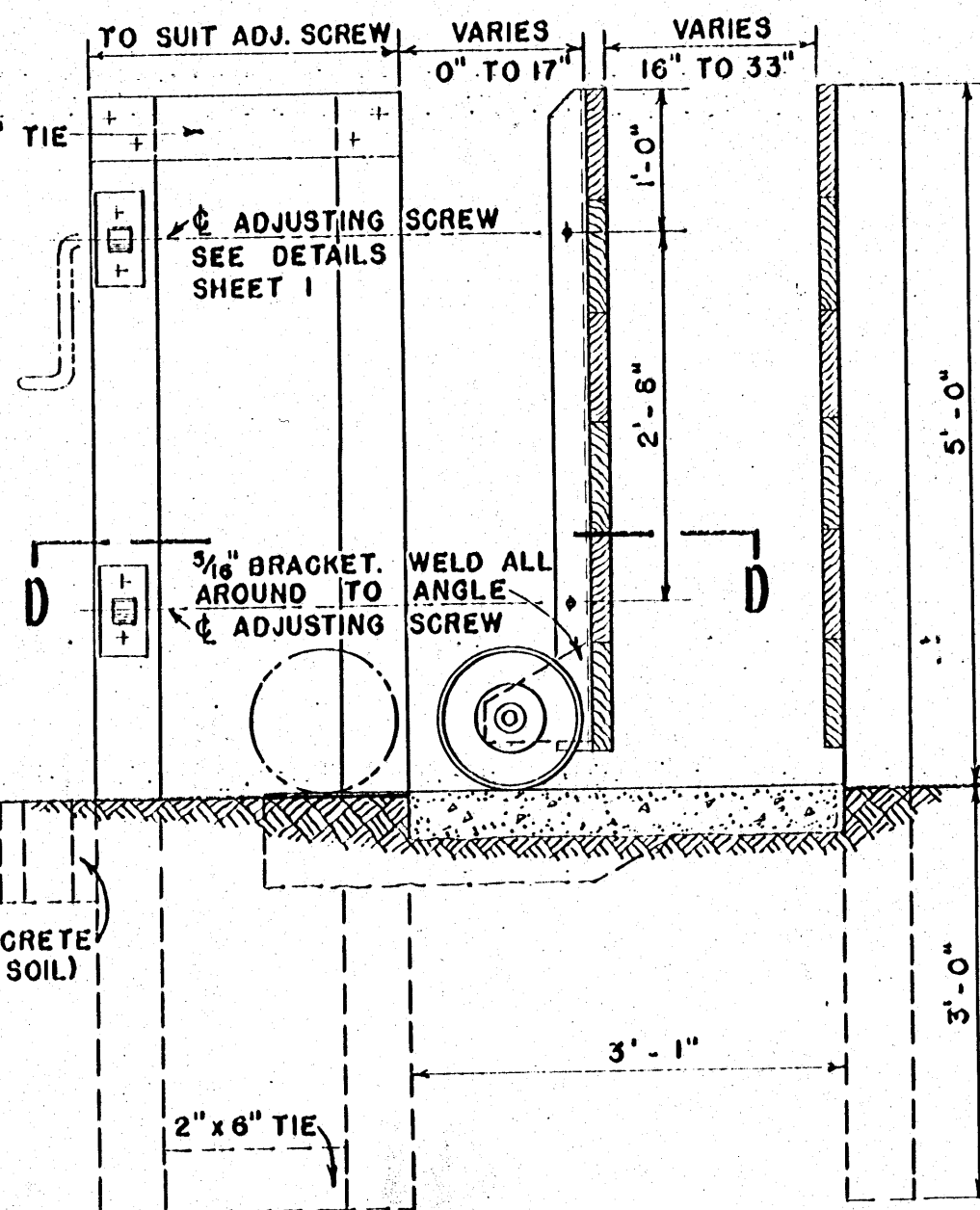
NOTE:  
SIMILAR CONTROL NEEDED FOR GATE.

PLAN D-D



SECTION A-A

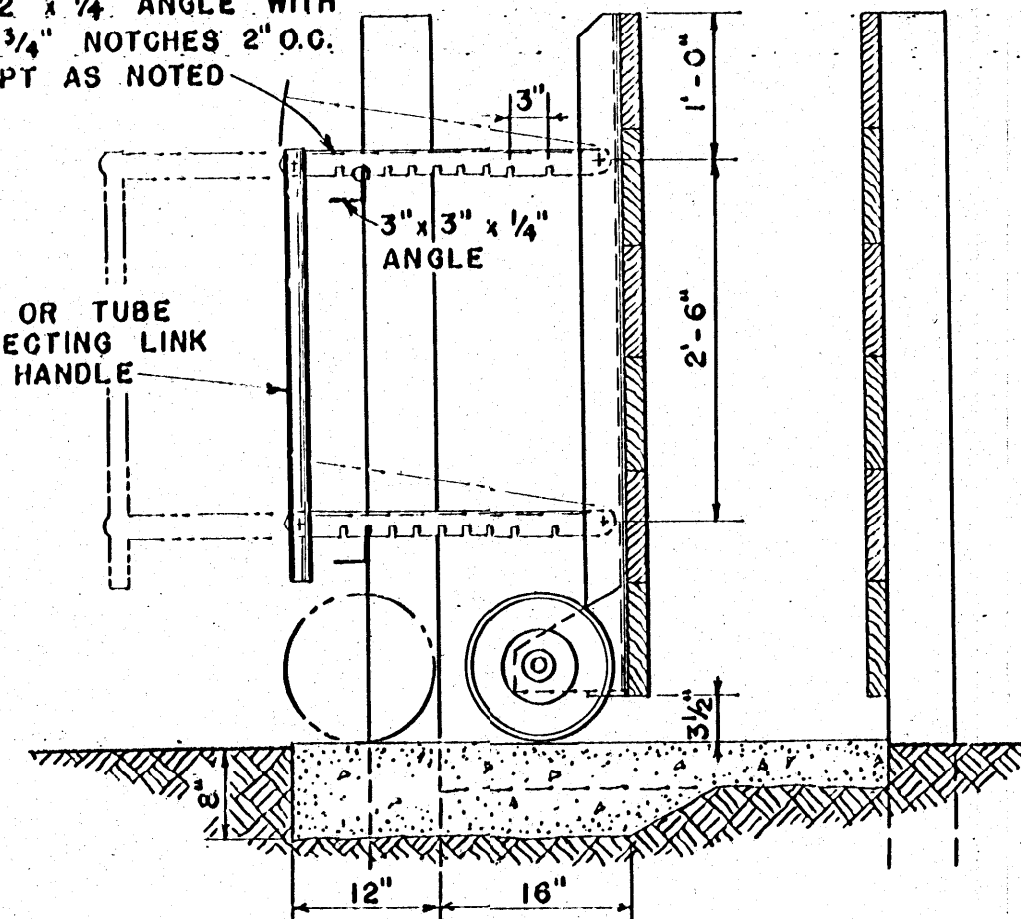
8" x 8" x 16" CONCRETE BLOCK (IN LOOSE SOIL)



SECTION B-B

2" x 2" x 1/4" ANGLE WITH 3/8" x 3/4" NOTCHES 2" O.C. EXCEPT AS NOTED

PIPE OR TUBE CONNECTING LINK AND HANDLE



SECTION C-C

SCALE: 3/4" = 1'-0" UNLESS OTHERWISE NOTED

COOPERATIVE EXTENSION WORK IN  
AGRICULTURE AND HOME ECONOMICS  
STATE OF MISSISSIPPI  
MISSISSIPPI STATE UNIVERSITY  
AND  
UNITED STATES DEPARTMENT OF AGRICULTURE COOPERATING

VARIABLE WIDTH CHUTE  
FOR CATTLE

GAL '58 EX. 5850 SHEET 2 OF 2