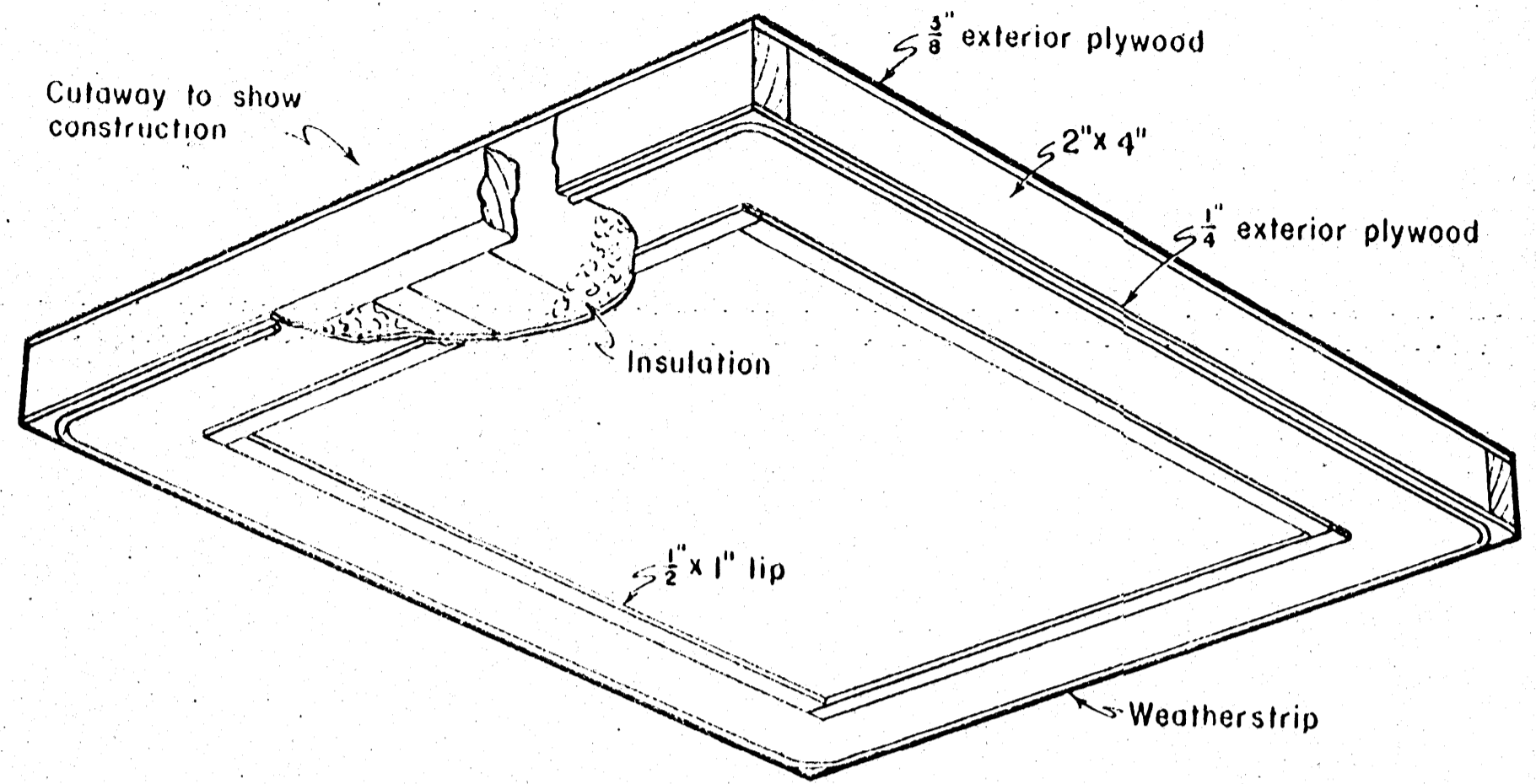
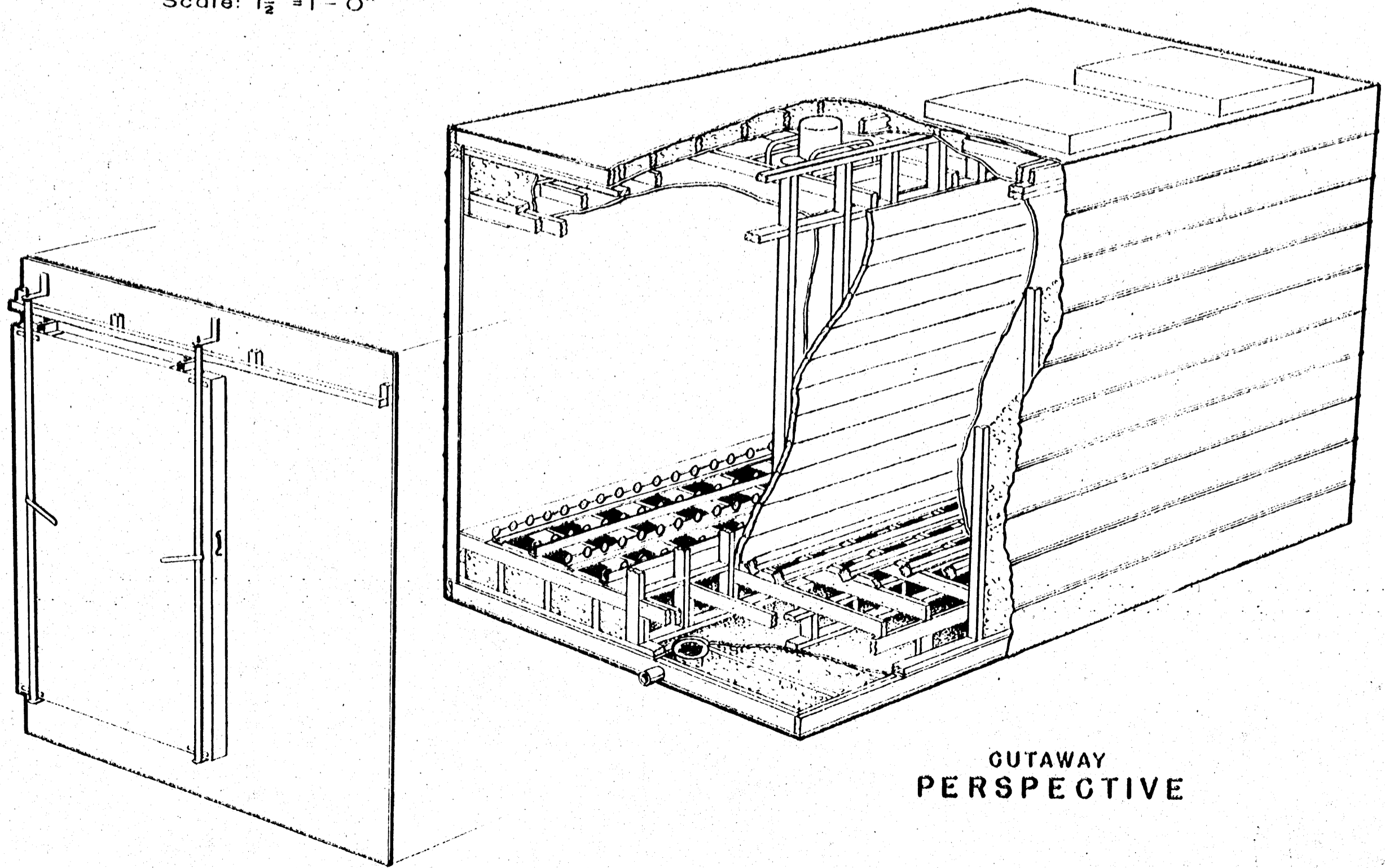


**ECCENTRIC DOOR JAM DETAIL**

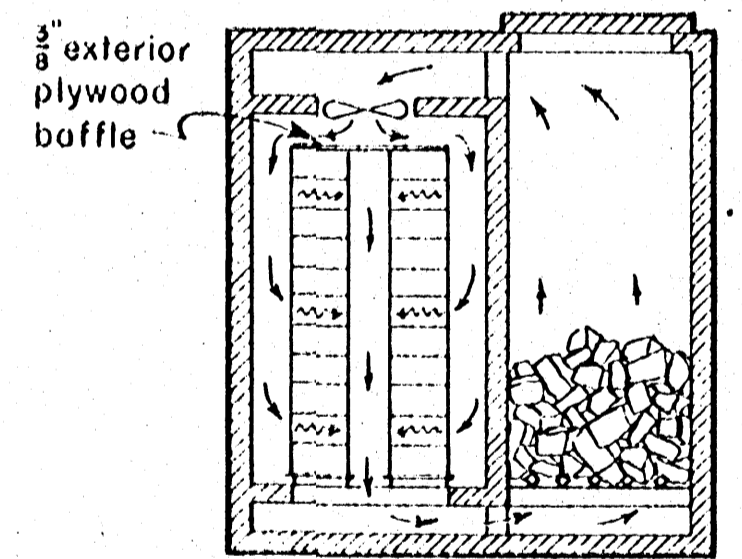
Scale:  $\frac{1}{2}$ " = 1' - 0"



**HATCH COVER DETAIL**  
DOOR CONSTRUCTION IS SIMILAR



**CUTAWAY PERSPECTIVE**

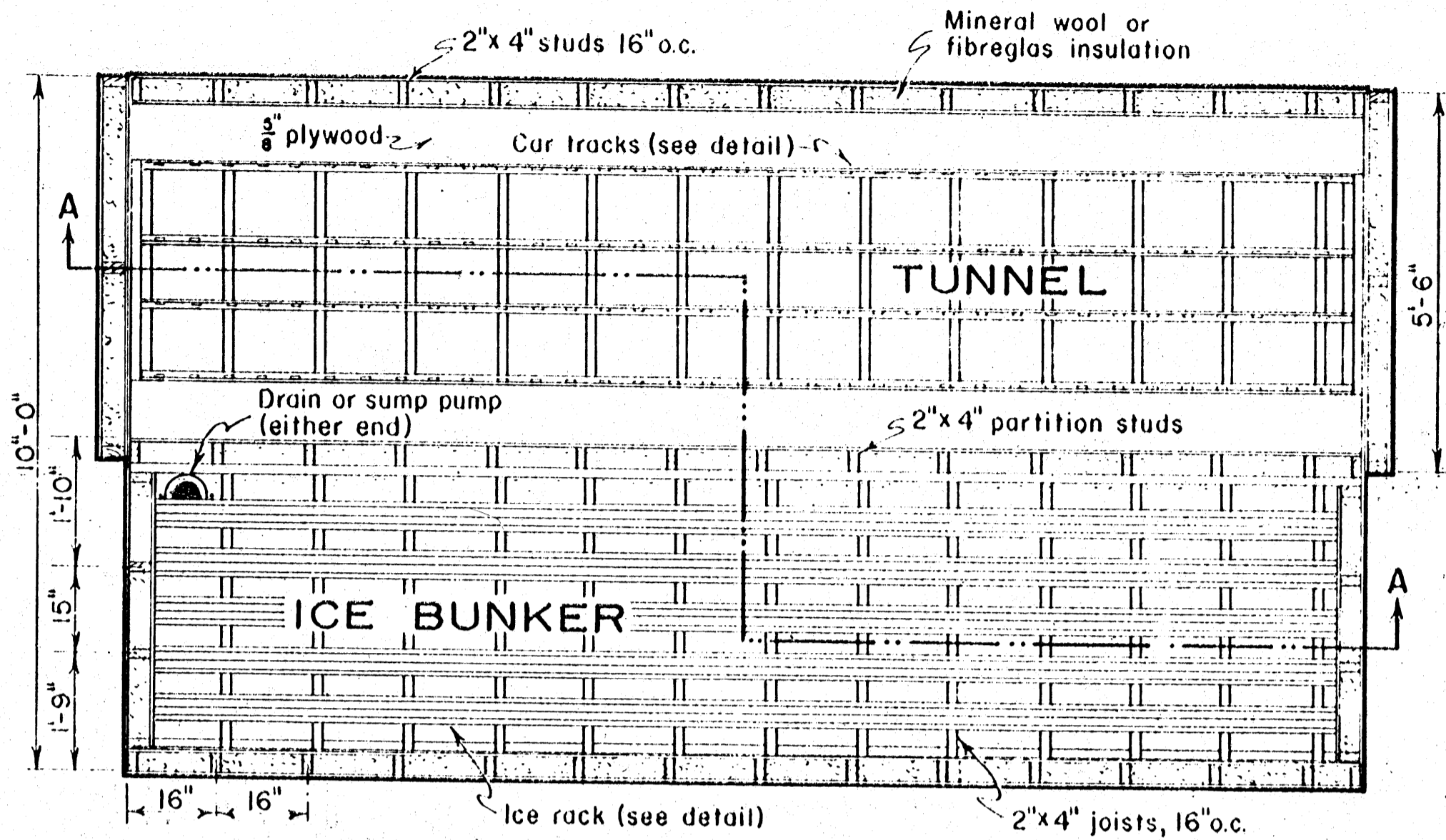


**SECTION AIR FLOW DIAGRAM**

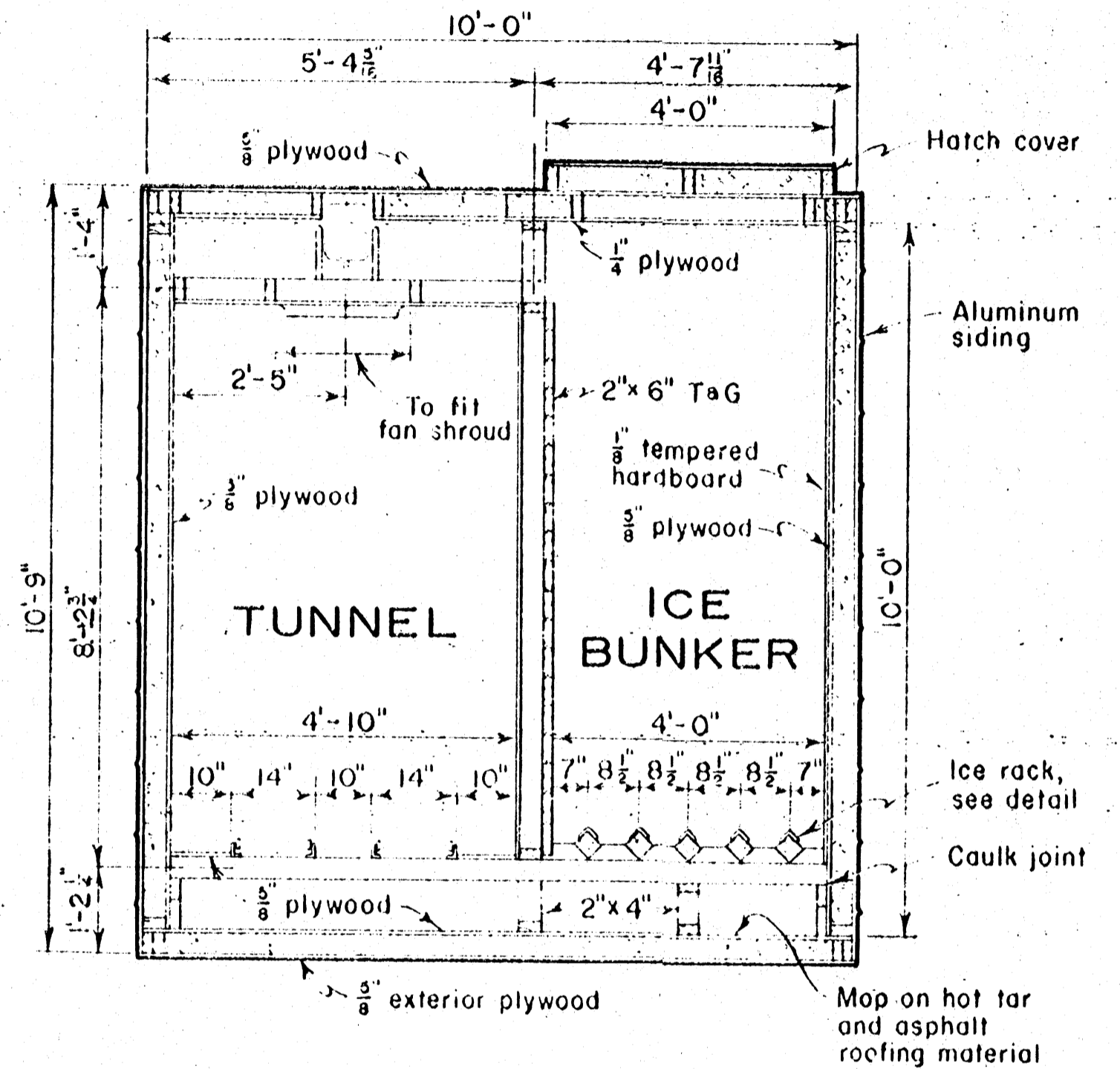
COOPERATIVE EXTENSION WORK IN  
AGRICULTURE AND HOME ECONOMICS  
STATE OF MISSISSIPPI  
MISSISSIPPI STATE UNIVERSITY  
AND  
UNITED STATES DEPARTMENT OF AGRICULTURE COOPERATING

**FORCED AIR  
FRUIT COOLER**

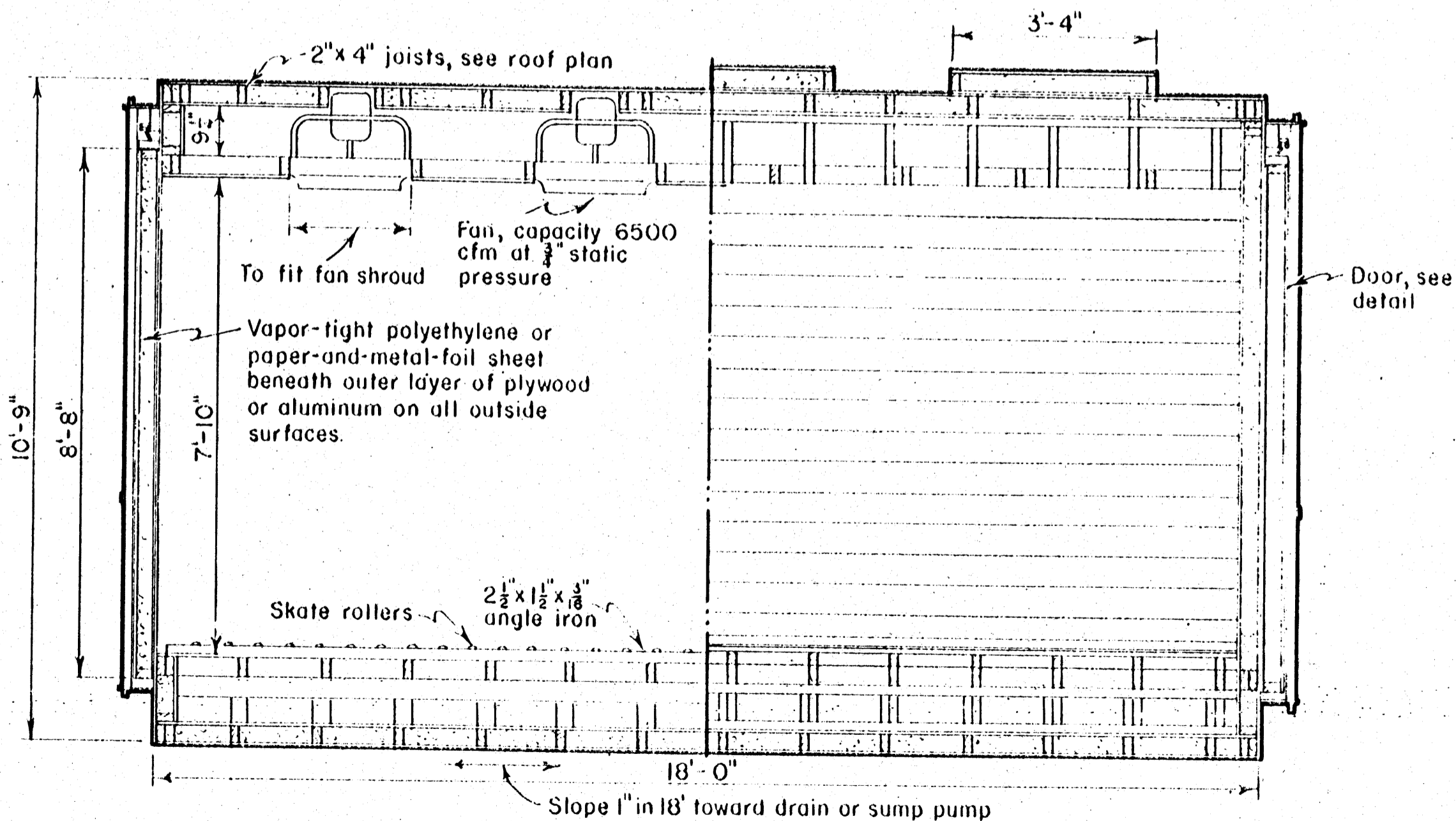
GAL. '58 EX. 5860 SHEET 1 OF 3



PLAN VIEW



TYPICAL SECTION



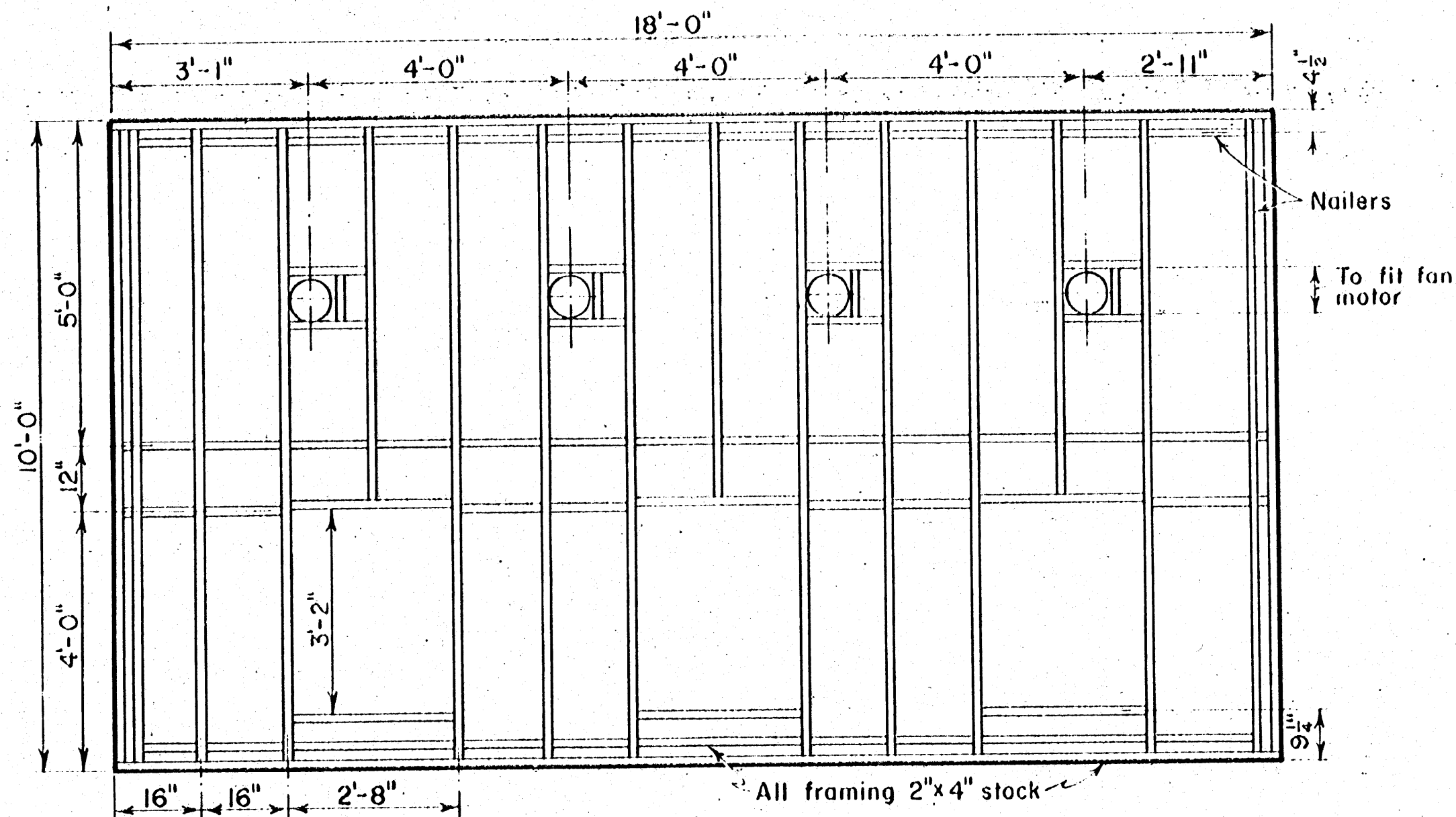
SECTION A-A

Scale: 1/2" = 1'-0"

COOPERATIVE EXTENSION WORK IN  
 AGRICULTURE AND HOME ECONOMICS  
 STATE OF MISSISSIPPI  
 MISSISSIPPI STATE UNIVERSITY  
 AND  
 UNITED STATES DEPARTMENT OF AGRICULTURE COOPERATING

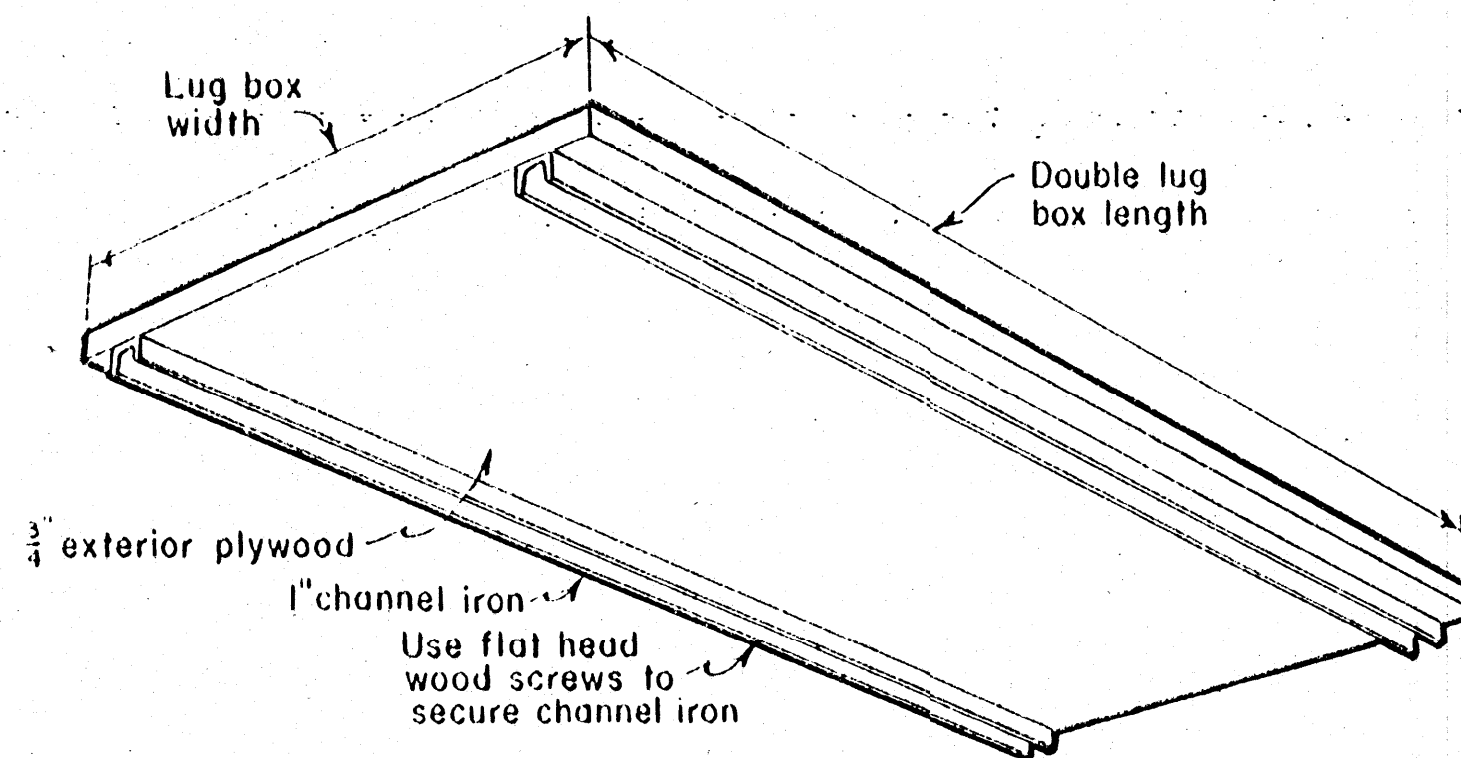
FORCED AIR  
 FRUIT COOLER

GAL. '58 EX. 5860 SHEET 2 OF 3



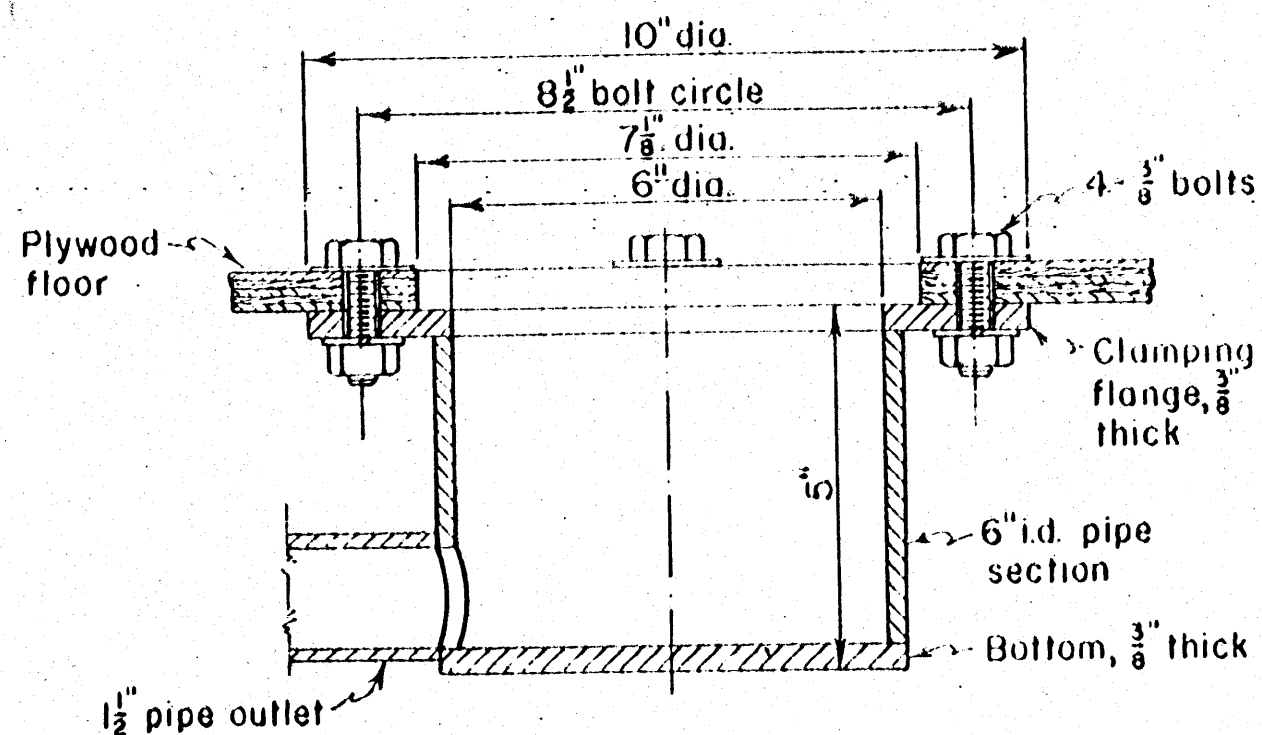
**ROOF FRAMING**

Scale:  $\frac{1}{2}'' = 1' - 0''$



**FRUIT CAR DETAIL**

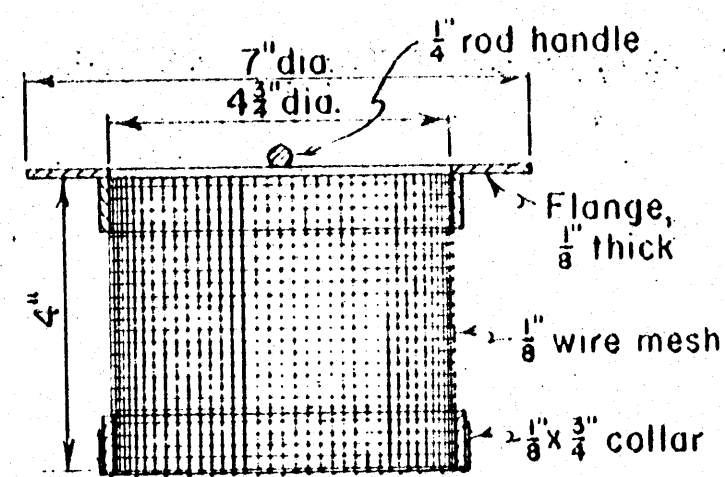
Six required



**HOUSING**

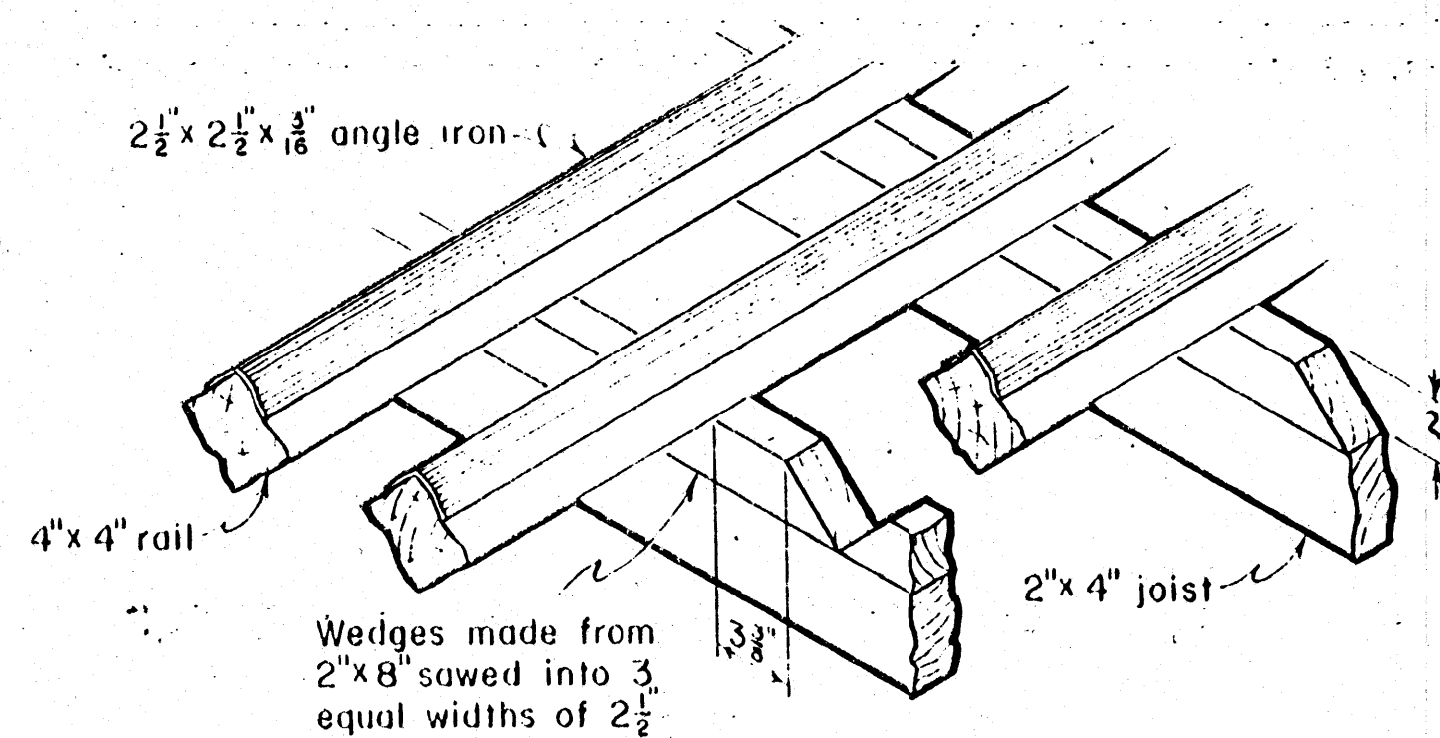
**DRAIN DETAIL**

Scale:  $\frac{3}{8}'' = 1''$



Note: all joints welded

**SCREEN CUP**



**ICE RACK DETAIL**

Scale:  $1\frac{1}{2}'' = 1' - 0''$

COOPERATIVE EXTENSION WORK IN  
 AGRICULTURE AND HOME ECONOMICS  
 STATE OF MISSISSIPPI  
 MISSISSIPPI STATE UNIVERSITY  
 AND  
 UNITED STATES DEPARTMENT OF AGRICULTURE COOPERATING

**FORCED AIR  
 FRUIT COOLER**