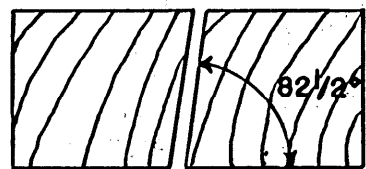
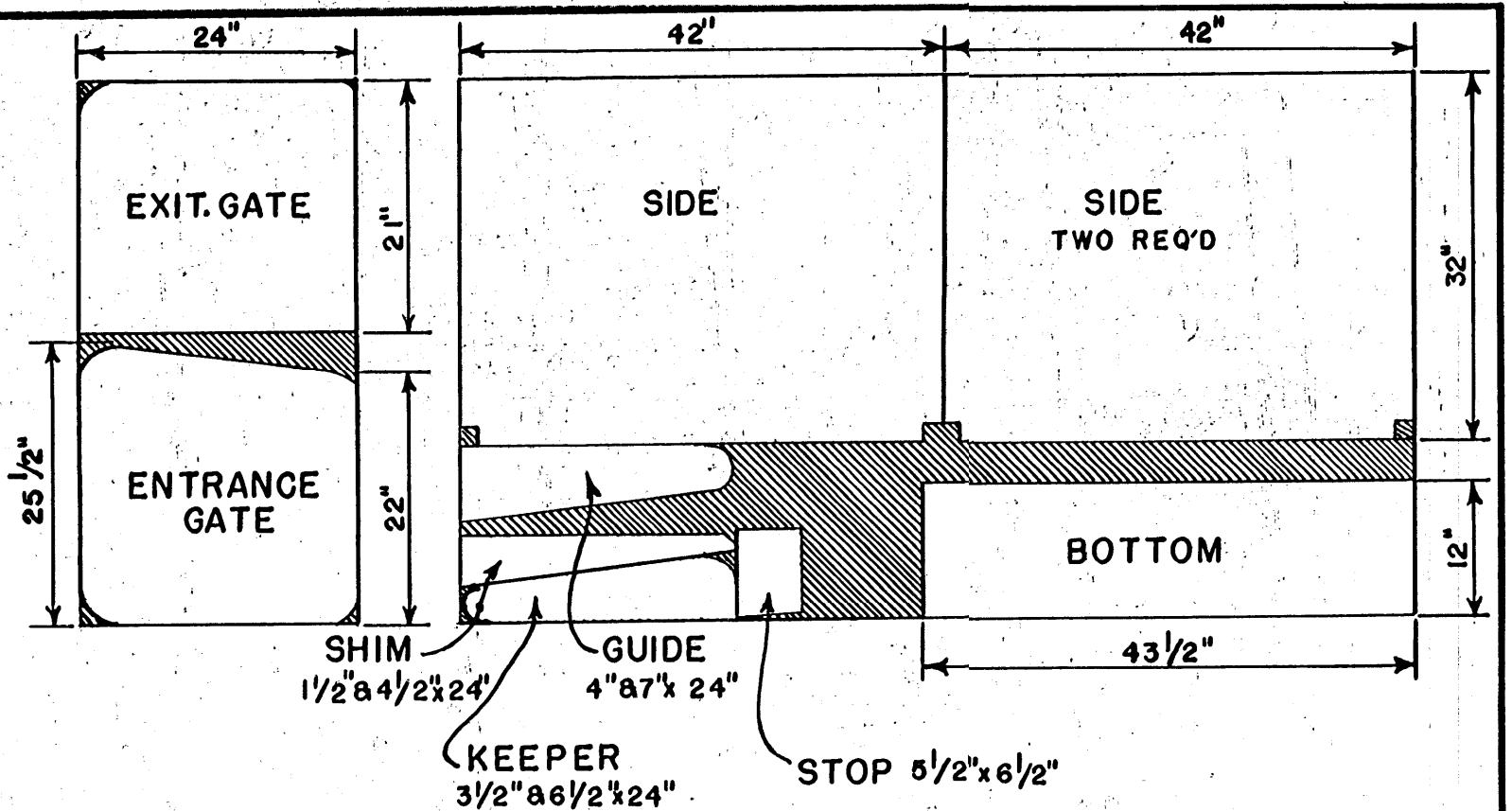
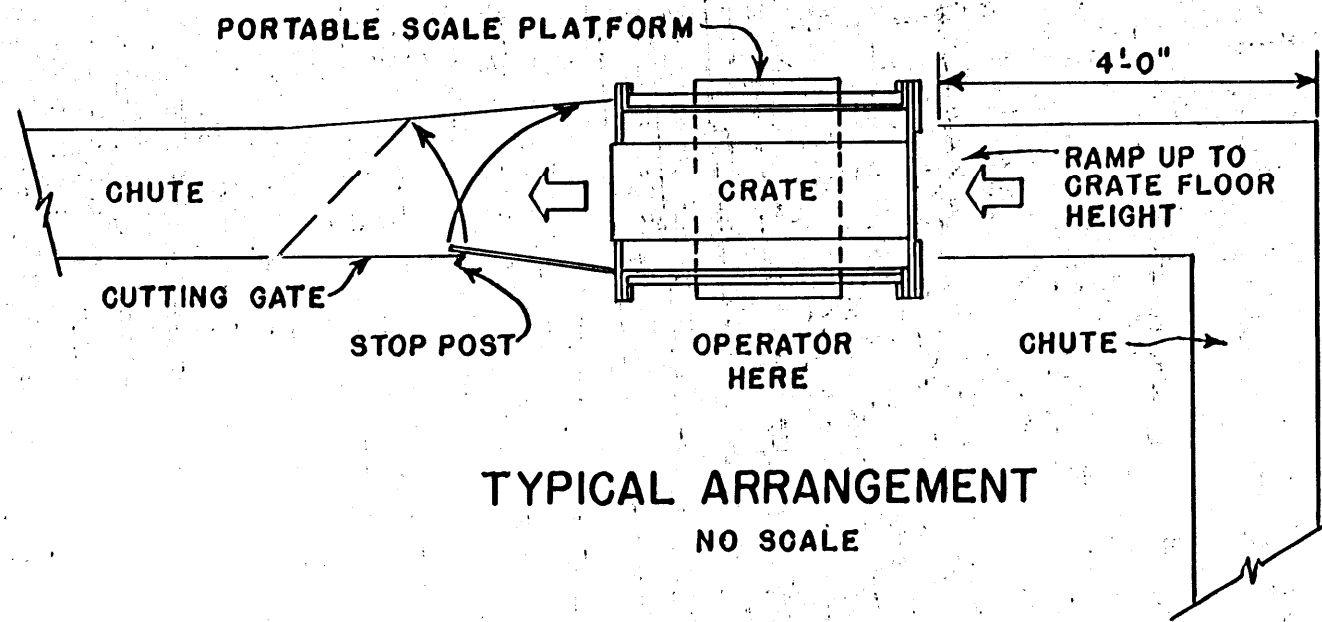


# LIST OF MATERIALS

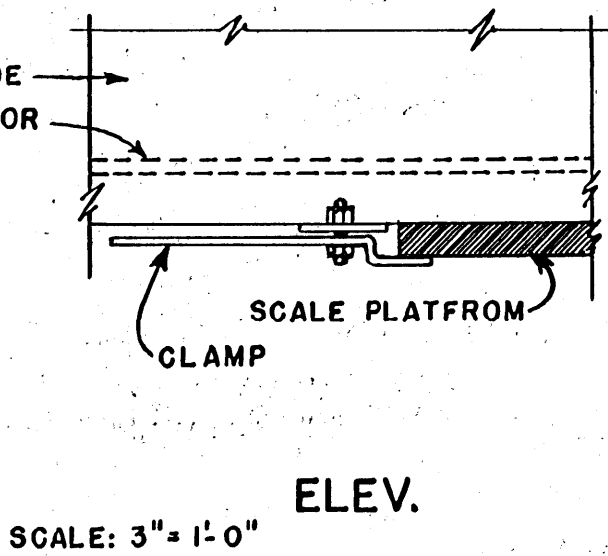
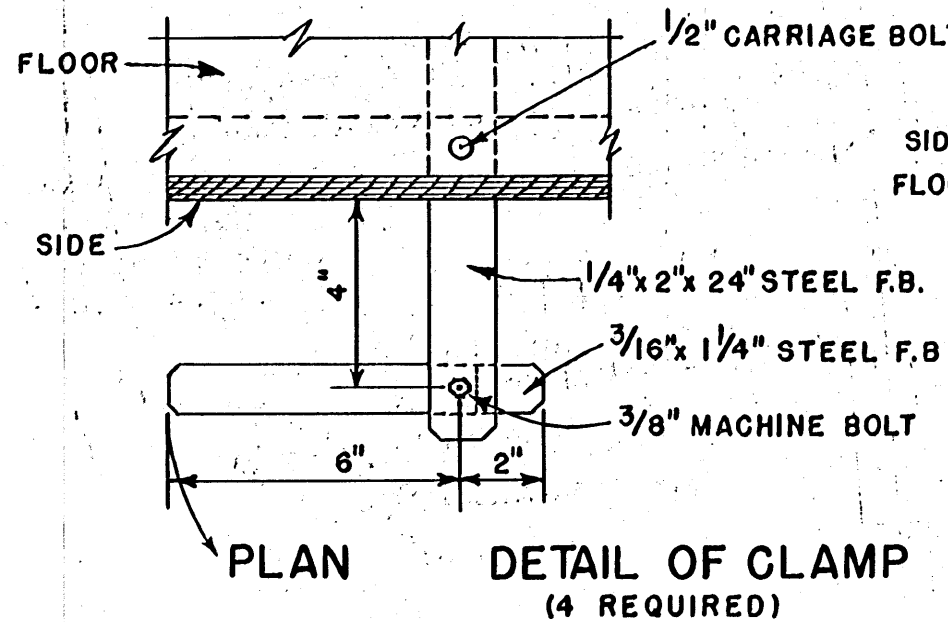
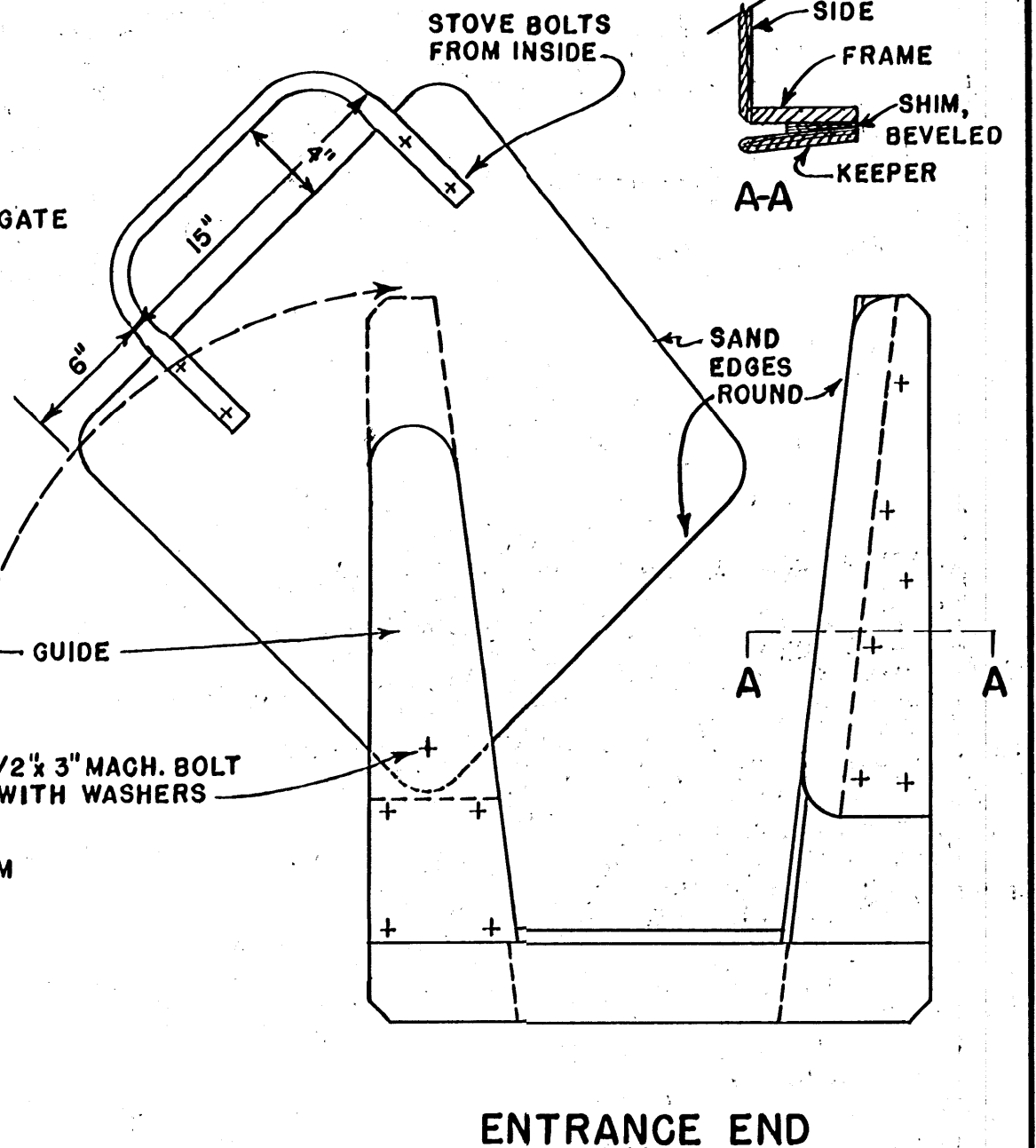
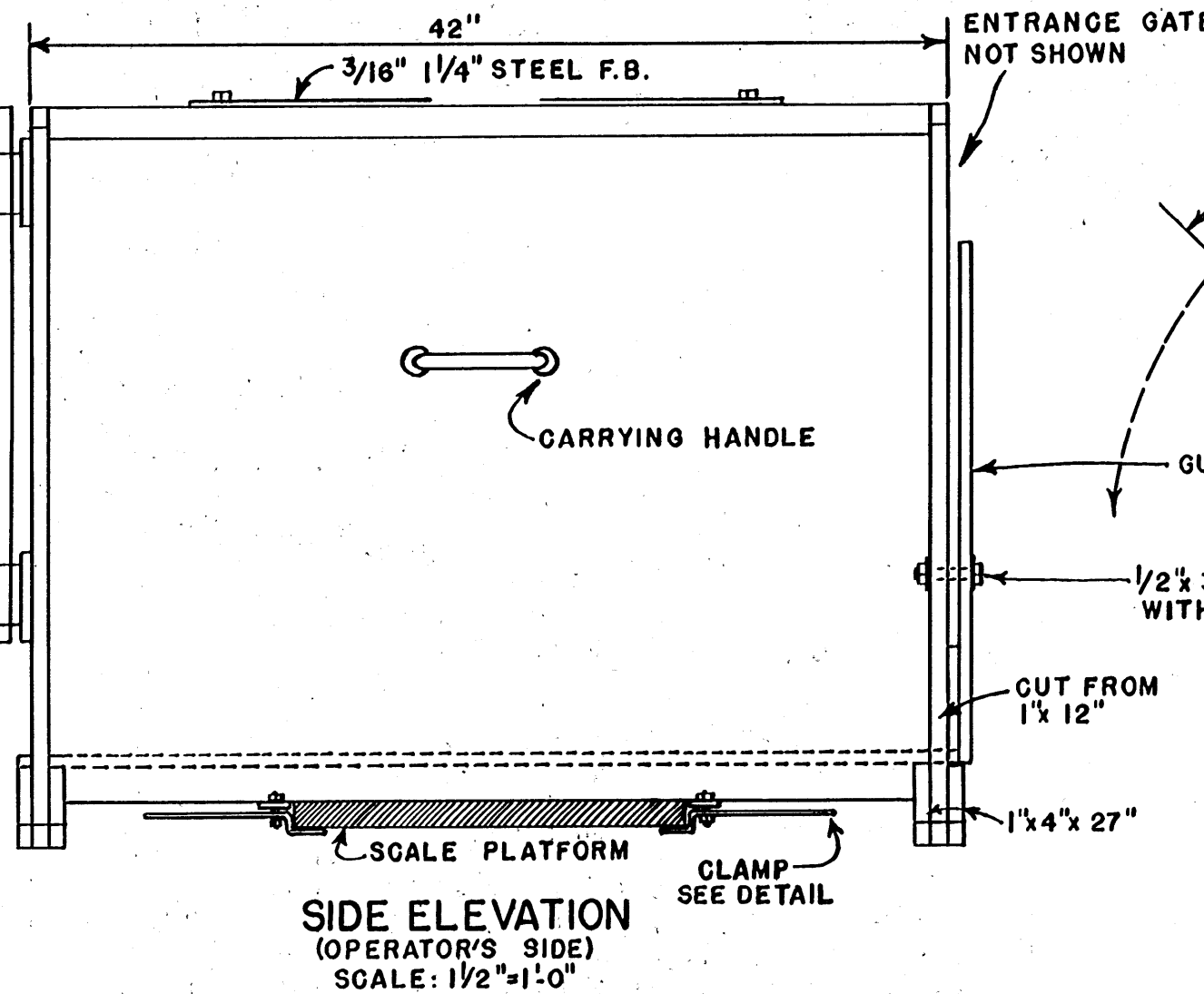
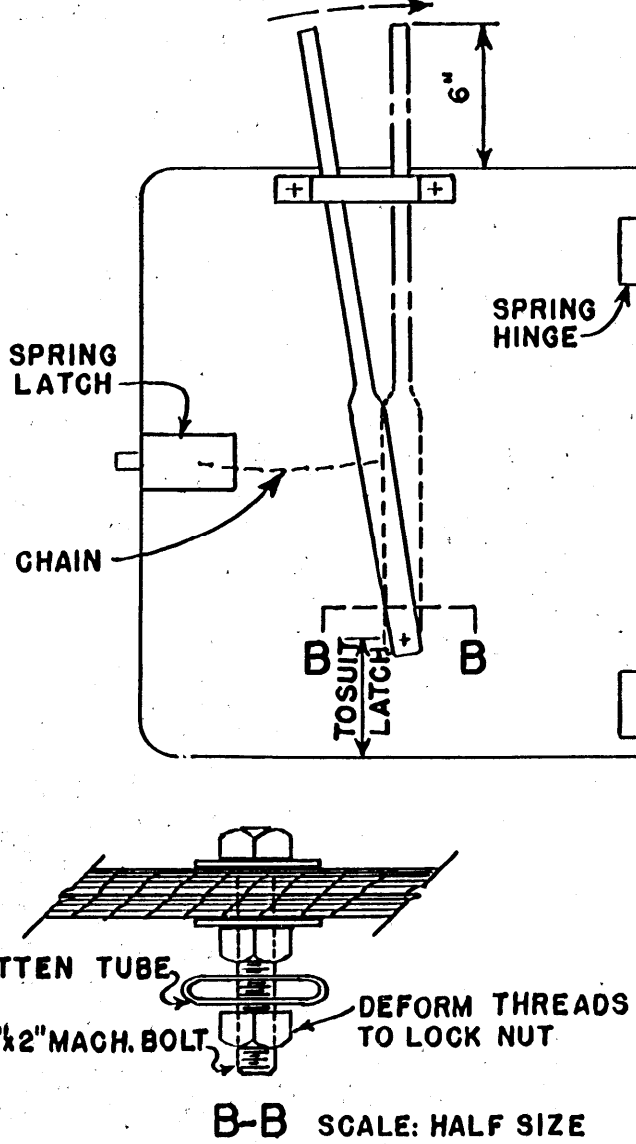
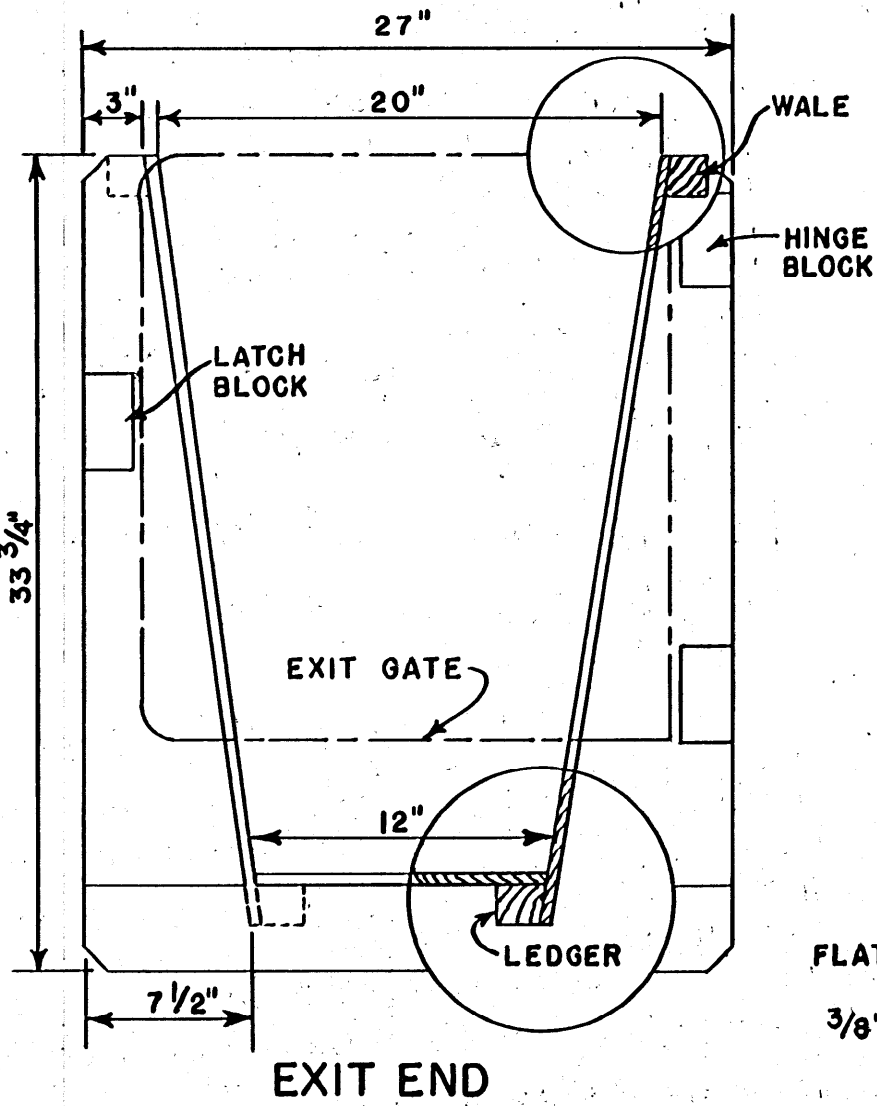
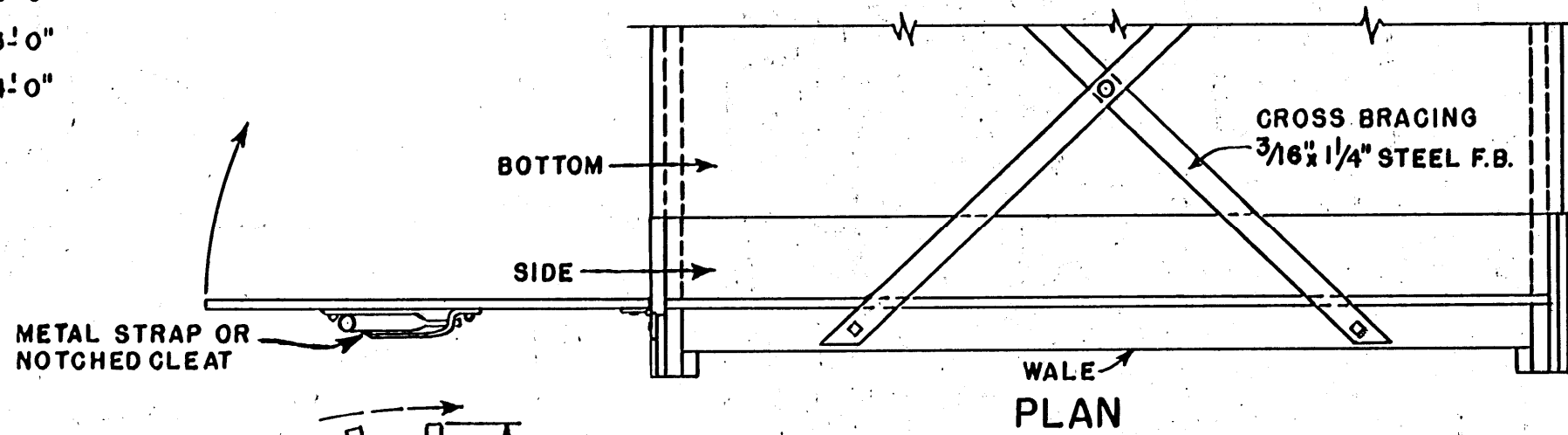
ITEM	SIZE	QUANTITY
LEDGERS & WALES	2" x 4" x 7'-0"	1 PC.
END FRAMES	1" x 12" x 6'-0"	1 "
"	1" x 4" x 10'-0"	1 "
PLYWOOD PARTS*	1/2" x 4'-0" x 7'-0"	1 PANEL
	1/2" x 2'-0" x 4'-0"	1 "
<b>HARDWARE:</b>		
GATE HANDLES	3/4" METAL TUBING	4-16"
HINGES	SPRING TYPE	2
LATCH	"	1
CARRYING HANDLES	5"	2
CROSS BRACING	3/16" x 1/4" F.B.	6'-0"
CLAMPS	"	3-10"
"	1/4" x 2"	4'-0"



**LEDGERS & WALES**  
RIP FROM DRESSED 2 x 4"  
SCALE: HALF SIZE



**CUTTING DIAGRAM FOR PLYWOOD**  
\* 1/2" EXTERIOR GRADE  
CUT HINGE & LATCH BLOCKS FROM WASTE  
SCALE: 3/4" = 1'-0"



**GENERAL NOTES:**  
ASSEMBLE CRATE WITH SCREWS AND BOLTS. USE RUSTPROOF FASTENINGS AND OTHER METAL PARTS WHERE POSSIBLE.  
ALL WOODEN PARTS SHOULD BE THOROUGHLY BRUSH-COATED WITH COPPER NAPHTHENATE AFTER CUTTING.

NOTE: SCALE - 1/2" = 1'-0" UNLESS OTHERWISE NOTED.

COOPERATIVE EXTENSION WORK IN  
AGRICULTURE AND HOME ECONOMICS  
STATE OF MISSISSIPPI  
MISSISSIPPI STATE UNIVERSITY  
AND  
UNITED STATES DEPARTMENT OF AGRICULTURE COOPERATING

**WEIGHING CRATE FOR SHEEP**

USDA '60 EX. 5877 SHEET 1 OF 1