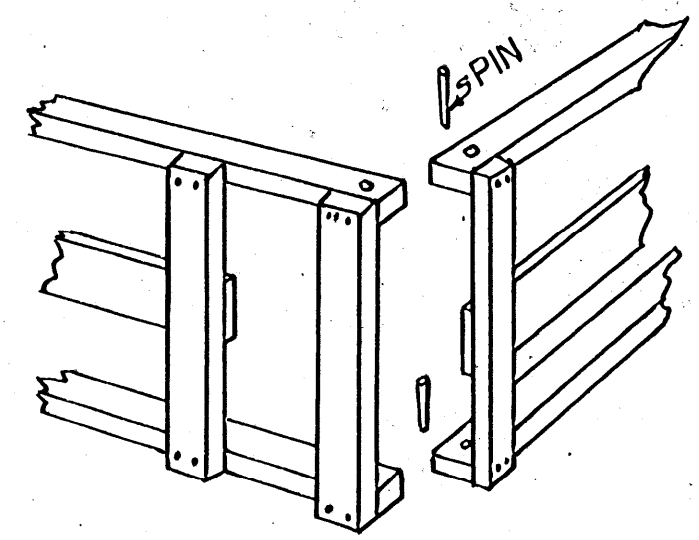
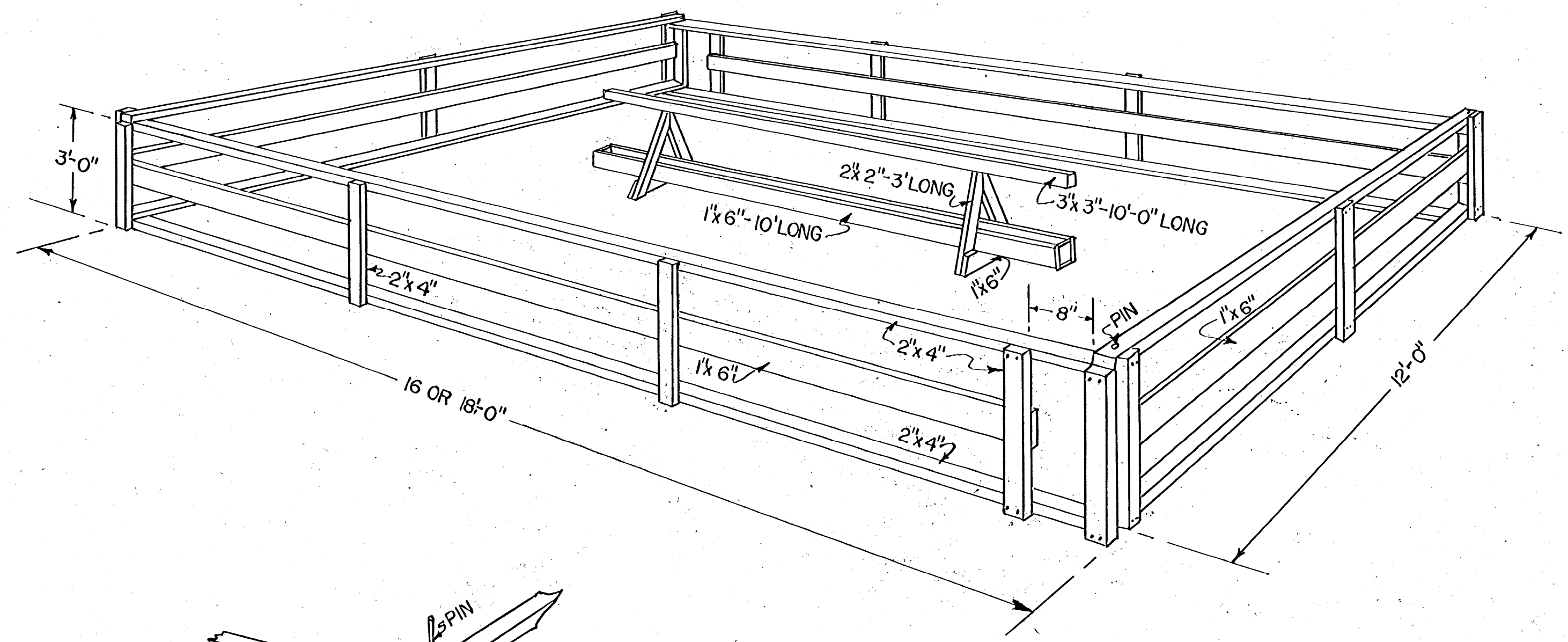


NOTE:
 TO BE PLACED IN SHADE
 AS UNDER A SHED, IF NEC-
 ESSARY SHELTER COULD BE
 MADE FOR PROTECTION OF
 TROUGH.



CORNER - UNPINNED

COOPERATIVE EXTENSION WORK IN
 AGRICULTURE AND HOME ECONOMICS
STATE OF MISSISSIPPI
MISSISSIPPI STATE UNIVERSITY
 AND
 UNITED STATES DEPARTMENT OF AGRICULTURE COOPERATING

**PORTABLE
 LAMB CREEP**

MISS 75 | 5915-A | SHEET 1 OF 1