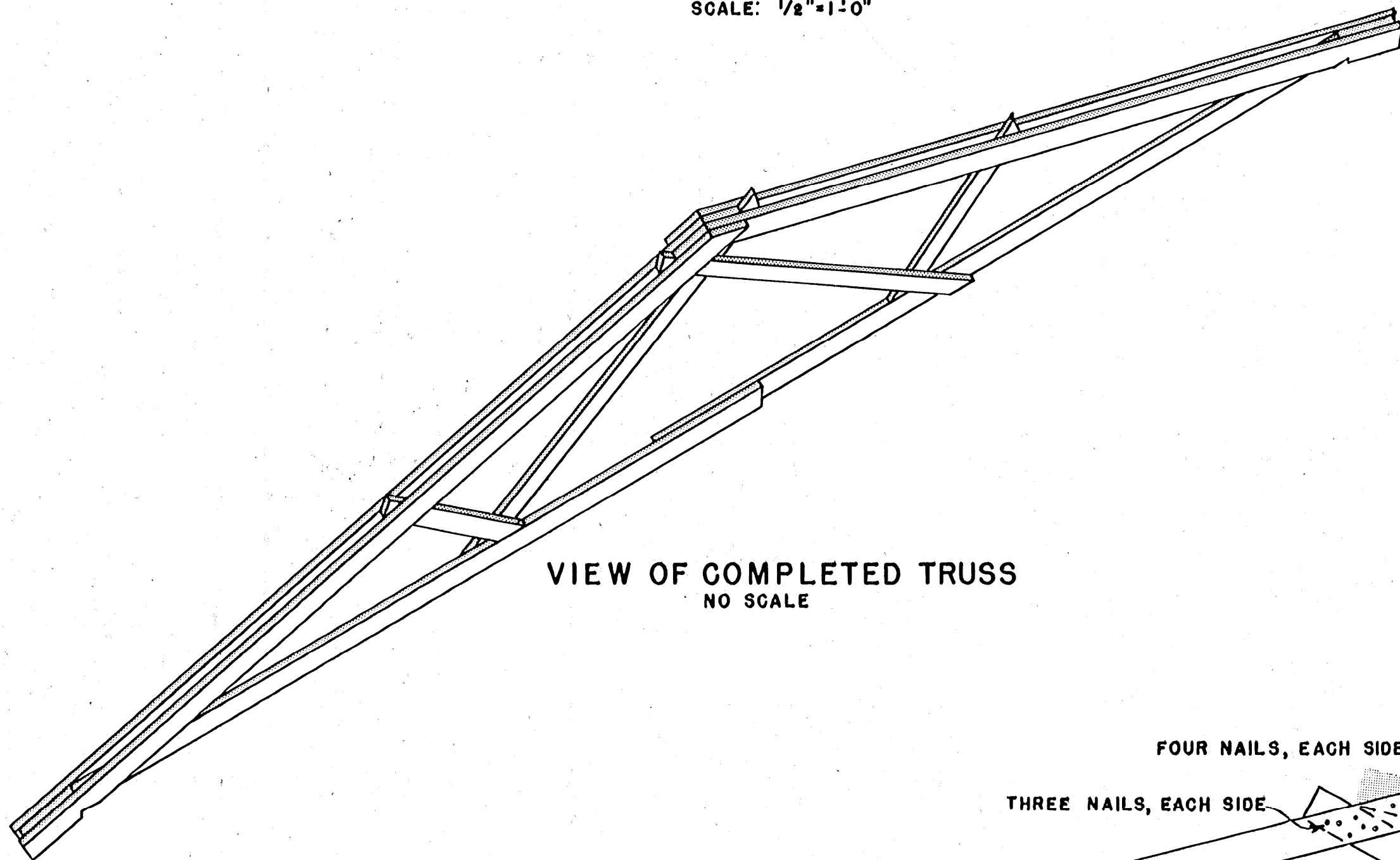


**ELEVATION**  
SCALE: 1/2" = 1'-0"



**VIEW OF COMPLETED TRUSS**  
NO SCALE

WHERE SNOW OR WIND LOADS WILL NOT EXCEED....	TRUSSES MAY BE SPACED UP TO....	PURLINS MAY BE....	SPACED UP TO..
15 LBS. PER SQ.FT.	8'-0" O.C.	2"x4" ON EDGE	3'-6" O.C.
20 " " "	5'-4" "	2" 4" FLAT	2'-4" "
25 " " "	4'-4" "	2"x4" "	2'-8" "
30 " " "	3'-8" "	2"x4" "	2'-6" "

THIS TRUSS IS DESIGNED TO SUPPORT LOADS UP TO 120 LBS PER FOOT OF SPAN, INCLUDING THE WEIGHT OF PURLINS AND ROOFING.

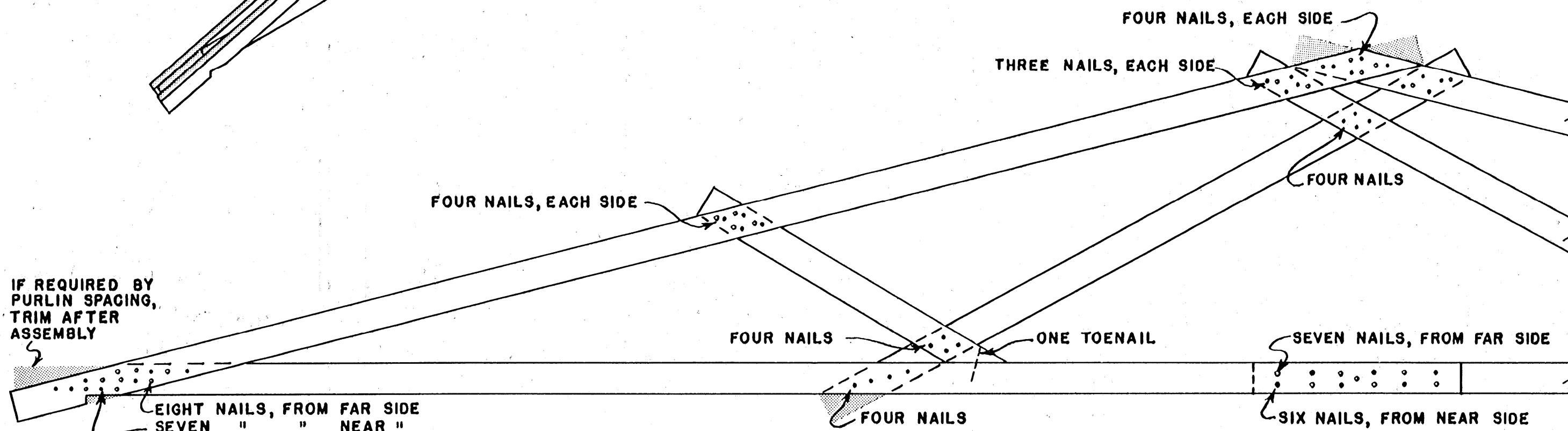
ALL LUMBER SHALL BE STRESS GRADED TO PROVIDE 1500 PSI FIBER STRESS IN BENDING, AND 1350 PSI IN COMPRESSION.

MATERIALS FOR ONE TRUSS:  
 TOP CHORD..... 4 PCS. 2"x4"x14'-0" (OR 16'-0")  
 BOTTOM CHORD... 2 " 2"x4"x14'-0"  
 LONG WEBS..... 1 " 2"x4"x14'-0"  
 SHORT WEBS..... 1 " 2"x4"x 6'-0"

NAILS..... 3 2/3 LBS 20d COMMON

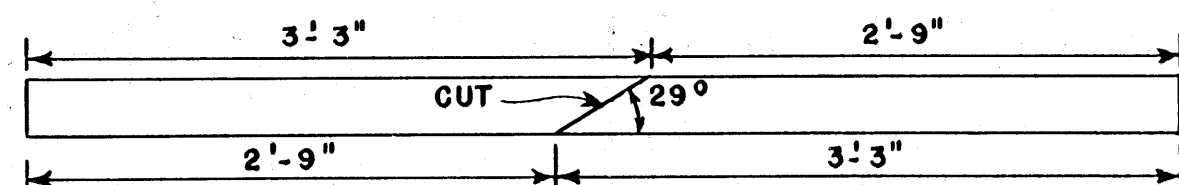
ALL PROJECTING NAILS ARE TO BE CLINCHED.

TRUSSES SHOULD BE SECURELY ANCHORED TO THE SUPPORTING STRUCTURE.



IF REQUIRED BY PURLIN SPACING, TRIM AFTER ASSEMBLY

EIGHT NAILS, FROM FAR SIDE  
SEVEN " " NEAR "



**CUTTING DIAGRAM FOR SHORT WEBS**

CHECK ANGLE ON THE JOB.

ALL OTHER CUTS ARE MADE AFTER THE TRUSS IS ASSEMBLED.

**JOINT DETAILS**

SCALE: 1" = 1'-0"

COOPERATIVE EXTENSION WORK IN AGRICULTURE AND HOME ECONOMICS  
 STATE OF MISSISSIPPI  
 MISSISSIPPI STATE UNIVERSITY,  
 AND UNITED STATES DEPARTMENT OF AGRICULTURE COOPERATING

**24 FT. LAP-NAILED TRUSS**  
 3/12 SLOPE \* DOUBLE TOP CHORD

USDA '61 EX. **5922** SHEET 1 OF 1