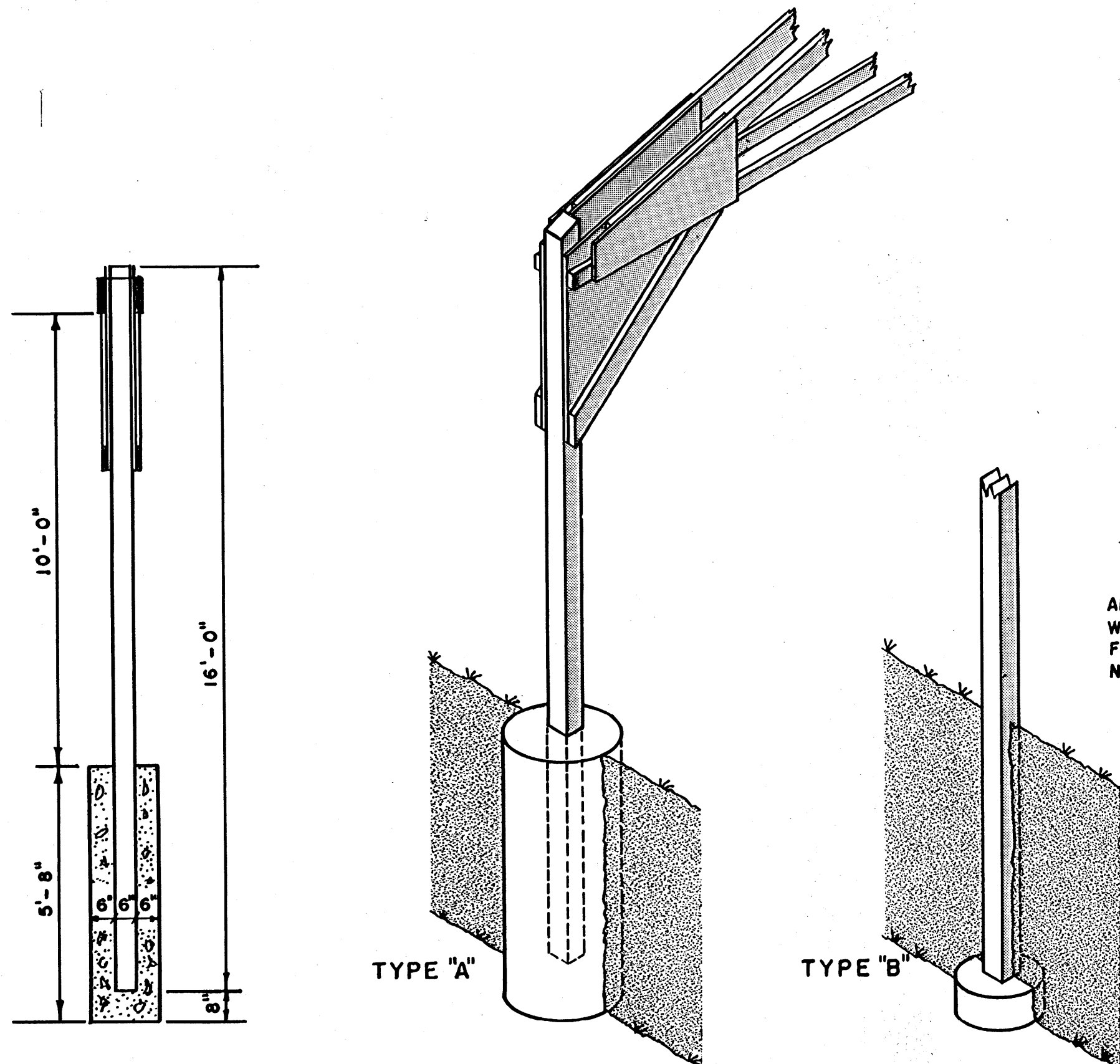
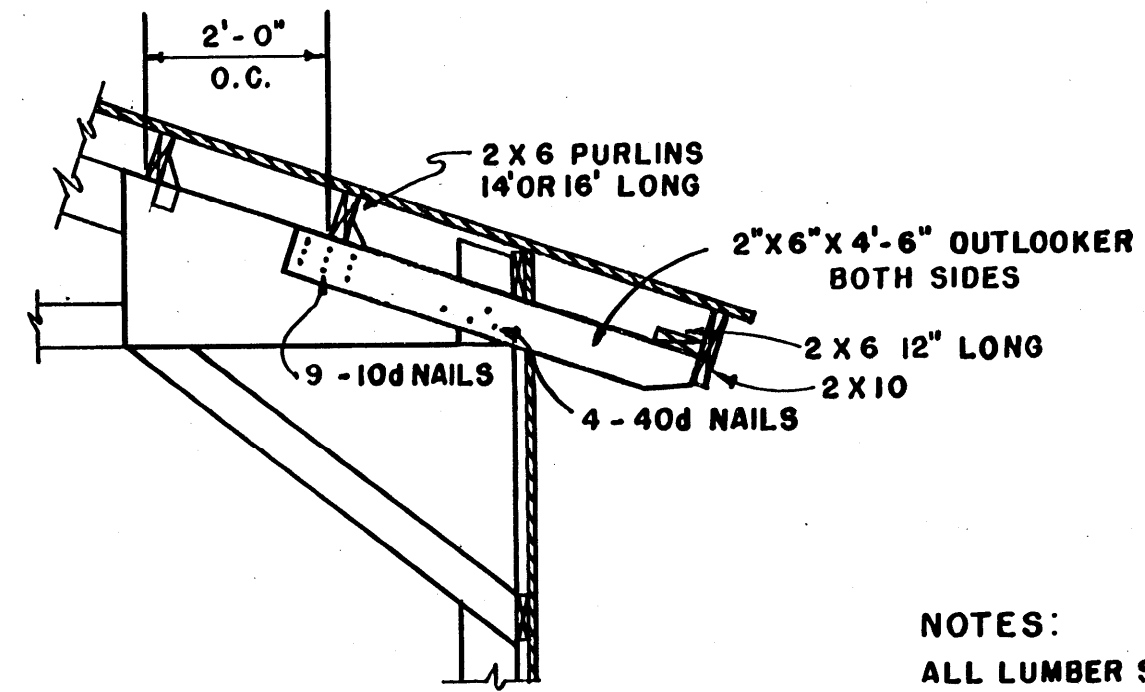


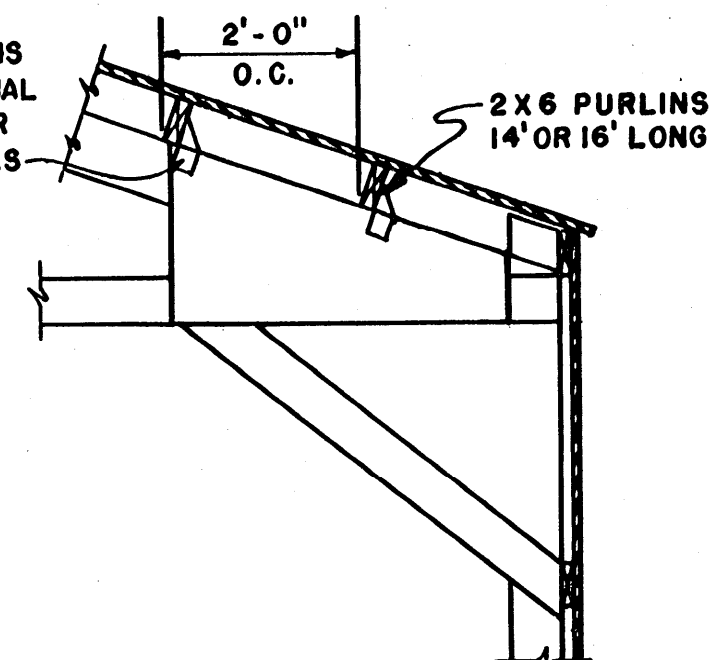
ELEVATION of TRUSS
(NEAR SIDE)



DETAILS SHOWING POST AND TYPES OF FOOTINGS



OPEN CORNICE
SCALE: 1/2" = 1'-0"



CLOSED CORNICE
SCALE: 1/2" = 1'-0"

NOTES:

ALL LUMBER SHALL BE STRESS GRADED TO PROVIDE 1500 PSI FIBER STRESS IN BENDING, AND 1350 PSI IN COMPRESSION.

ONE TRUSS CAN SAFELY CARRY A LOAD OF 200 lbs PER FOOT OF SPAN

DIMENSIONS OF MEMBERS SHOWN OTHER THAN POST ARE BASED ON THE USE OF DRESSED LUMBER.

SCALE: 3/8" = 1'-0" UNLESS OTHERWISE NOTED.

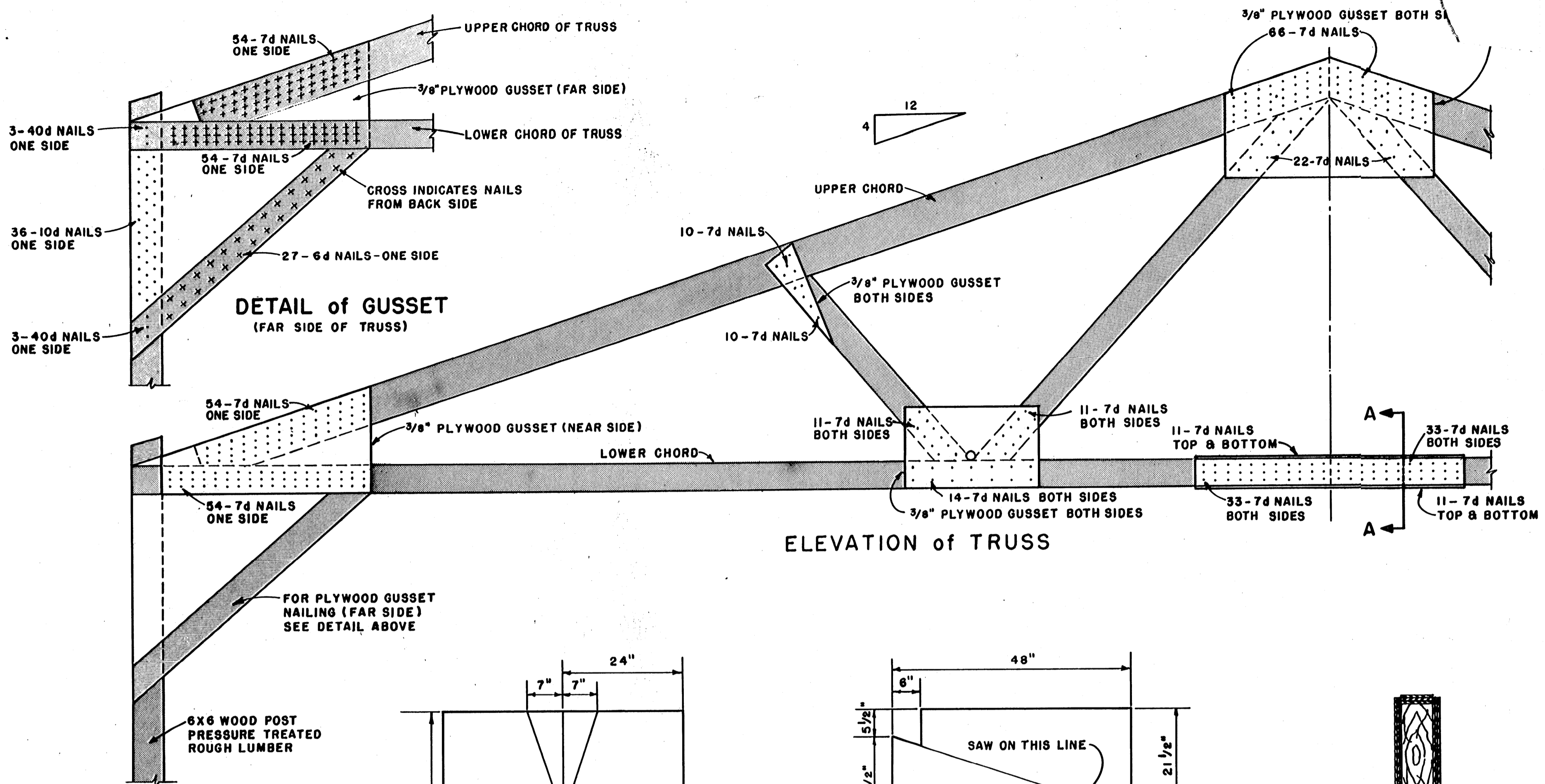
COOPERATIVE EXTENSION WORK IN
AGRICULTURE AND HOME ECONOMICS
STATE OF MISSISSIPPI
MISSISSIPPI STATE UNIVERSITY
AND
UNITED STATES DEPARTMENT OF AGRICULTURE COOPERATING

40 FT. TRUSS
POLE TYPE CONSTRUCTION

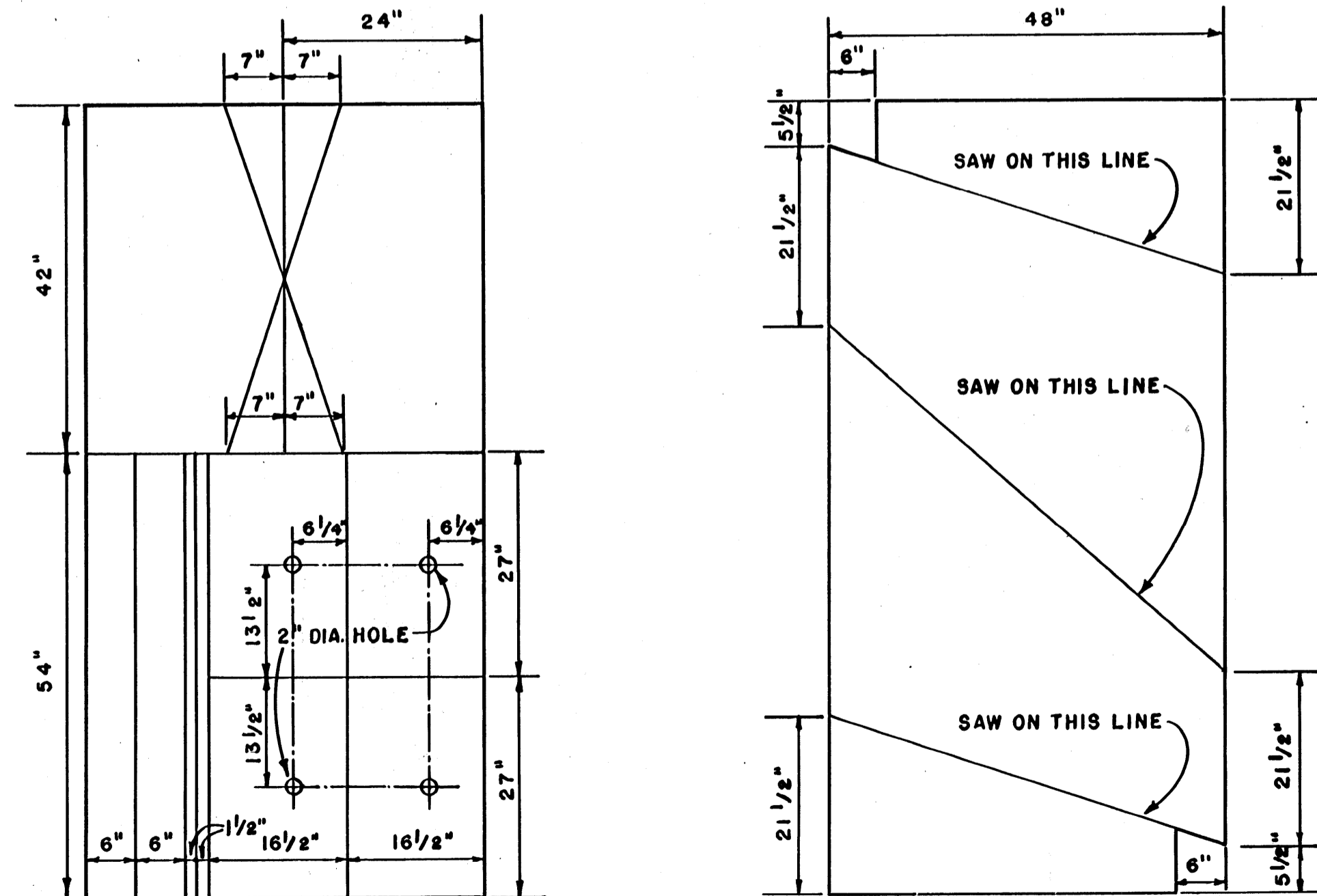
ORE. 1963

EX. 5949

SHEET 1 OF 2



NOTES:
 ALL NAILS ARE COMMON SIZE.
 USE HOT DIP GALVANIZED NAILS.
 ONE HALF OF THE 7d NAILS ARE NAILED FROM ONE SIDE AND THE OTHER HALF ARE NAILED FROM OPPOSITE SIDE. WHEN DRIVING 7d NAILS, THE FAR GUSSET MUST BE FULLY SUPPORTED TO HOLD IT AGAINST THE LUMBER.
 PLYWOOD TO BE 3/8" EXTERIOR TYPE.



SCALE: 3/4" = 1'-0" UNLESS OTHERWISE NOTED.

COOPERATIVE EXTENSION WORK IN
 AGRICULTURE AND HOME ECONOMICS
 STATE OF MISSISSIPPI
 MISSISSIPPI STATE UNIVERSITY
 AND
 UNITED STATES DEPARTMENT OF AGRICULTURE COOPERATING

40 FT. TRUSS
POLE TYPE CONSTRUCTION

ORE. 1963	EX. 5949	SHEET 2 OF 2
-----------	----------	--------------