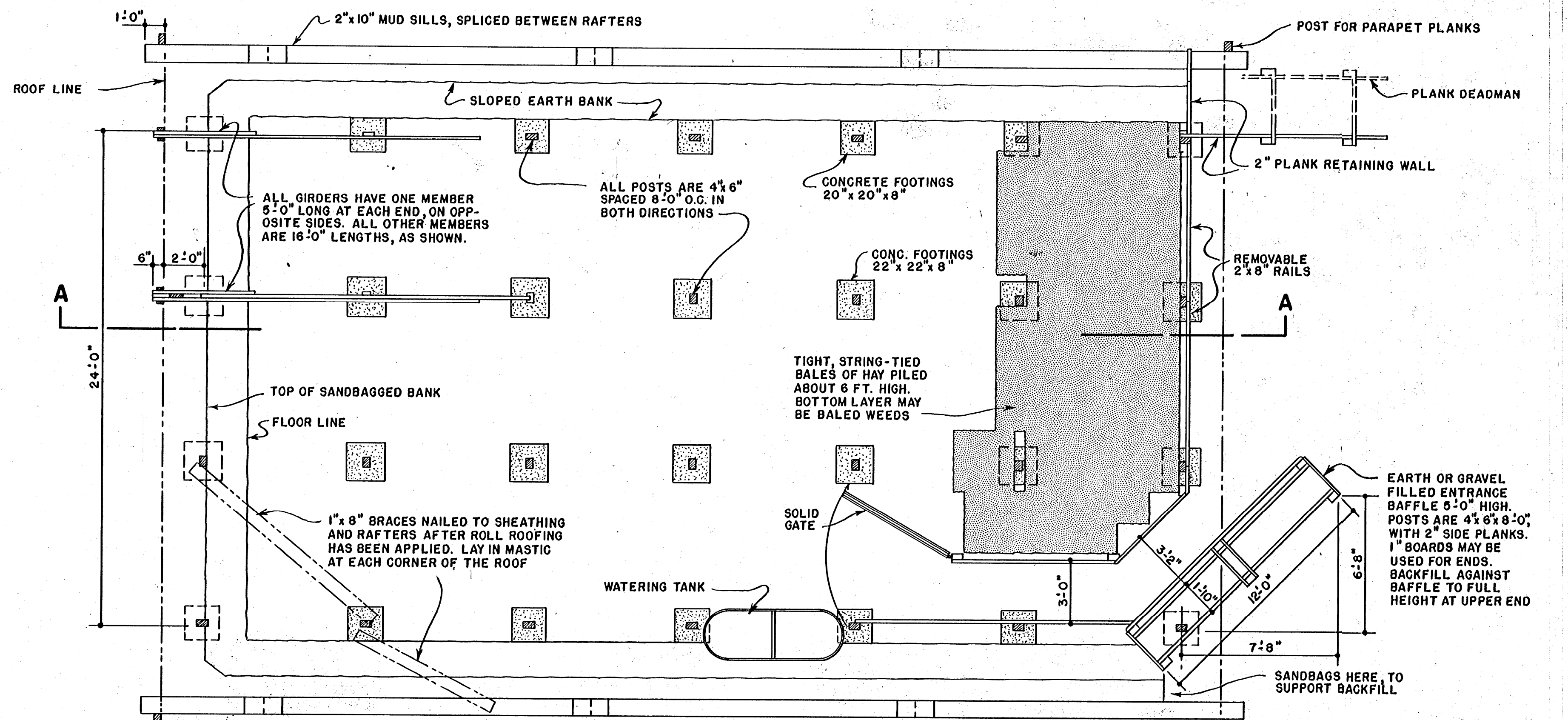


SECTION A-A



3-BAY PLAN

MOST ROOF FRAMING NOT SHOWN

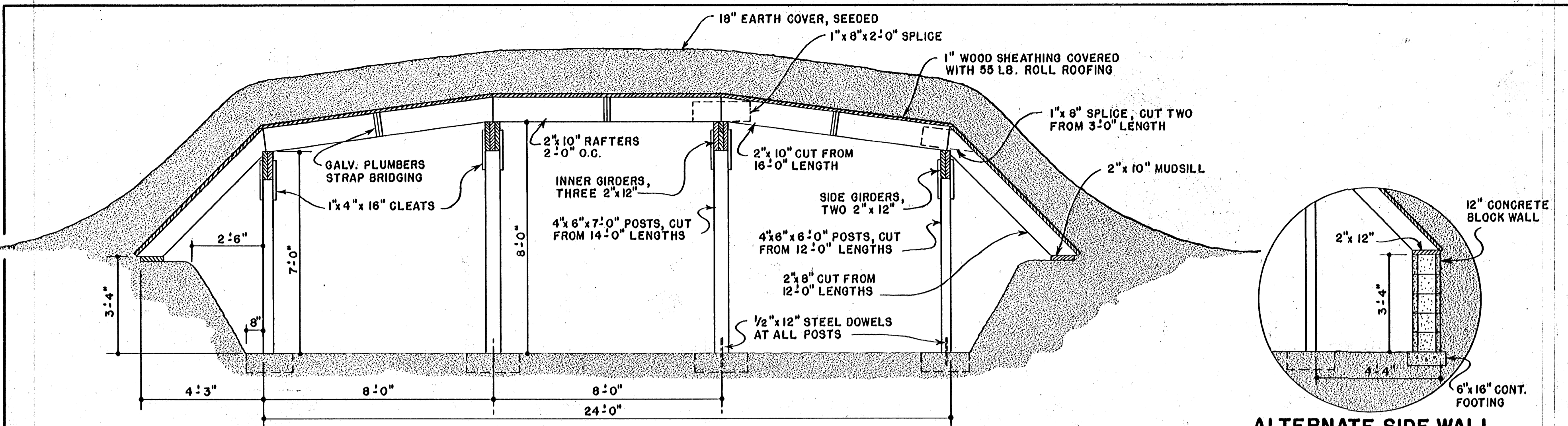
ALL LUMBER TO BE FULL SIZE ROUGH SAWN, PRESSURE-TREATED WITH PRESERVATIVE

FASTENINGS AND OTHER STEEL PARTS SHALL BE HOT-DIP GALVANIZED

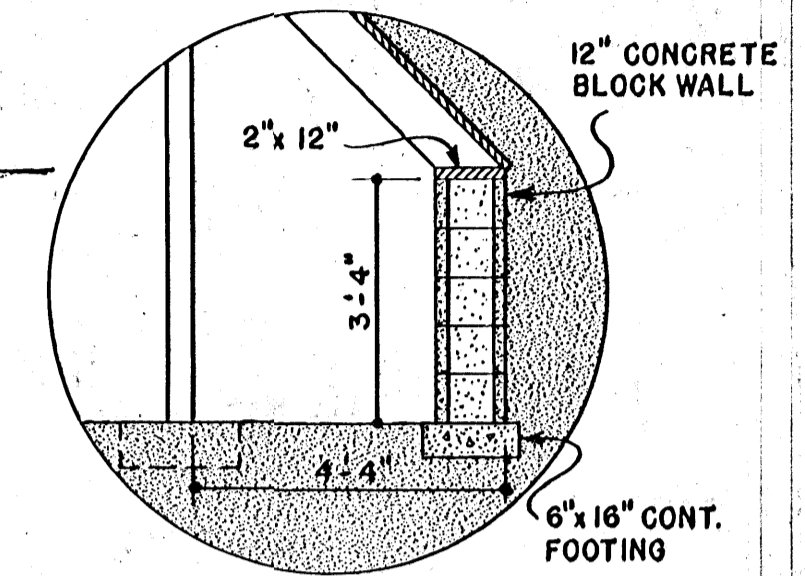
SCALE: 1/4" = 1'-0"

COOPERATIVE EXTENSION WORK IN AGRICULTURE AND HOME ECONOMICS
 STATE OF MISSISSIPPI
 MISSISSIPPI STATE UNIVERSITY
 AND UNITED STATES DEPARTMENT OF AGRICULTURE COOPERATING
BUNKER-TYPE FALLOUT SHELTER
 FOR BEEF CATTLE

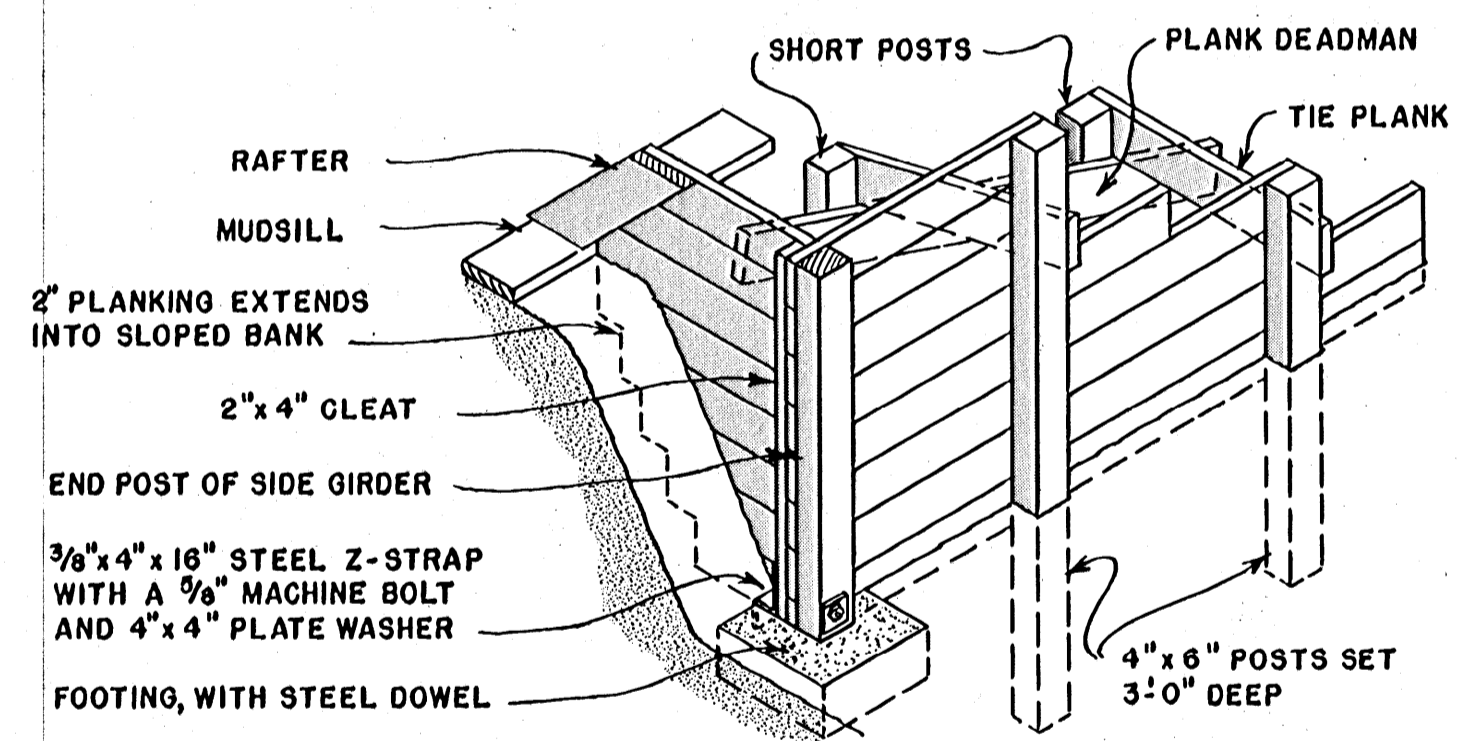
USDA '63 EX. 5950 SHEET 1 OF 2



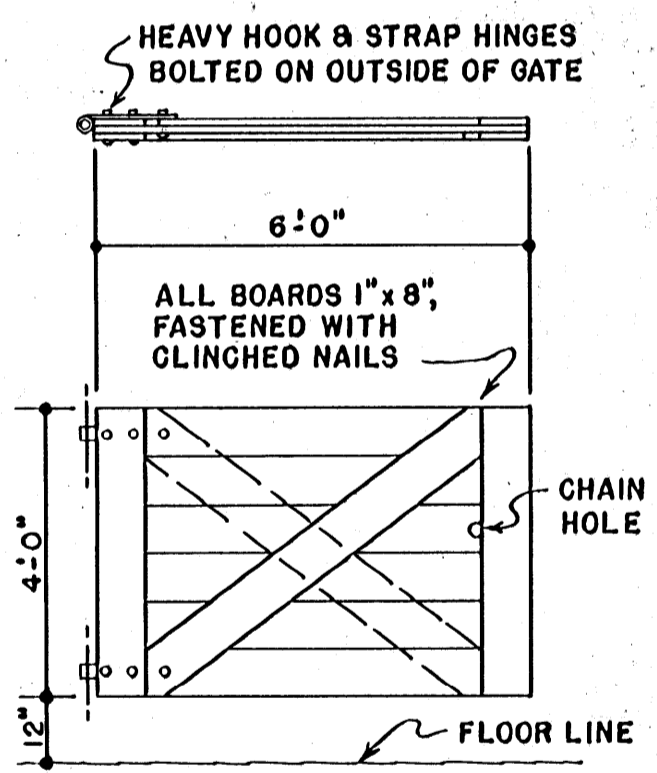
TYPICAL CROSS SECTION
 3-BAY SHELTER
 (45 HEAD)



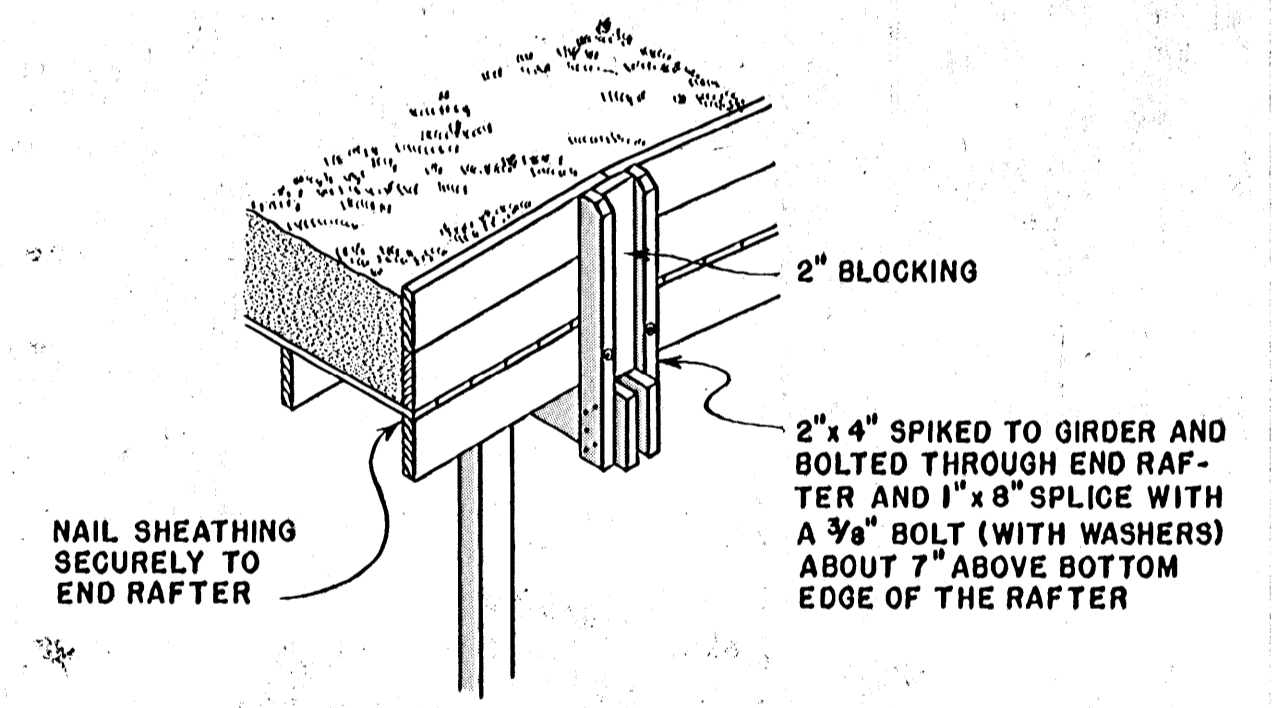
ALTERNATE SIDE WALL



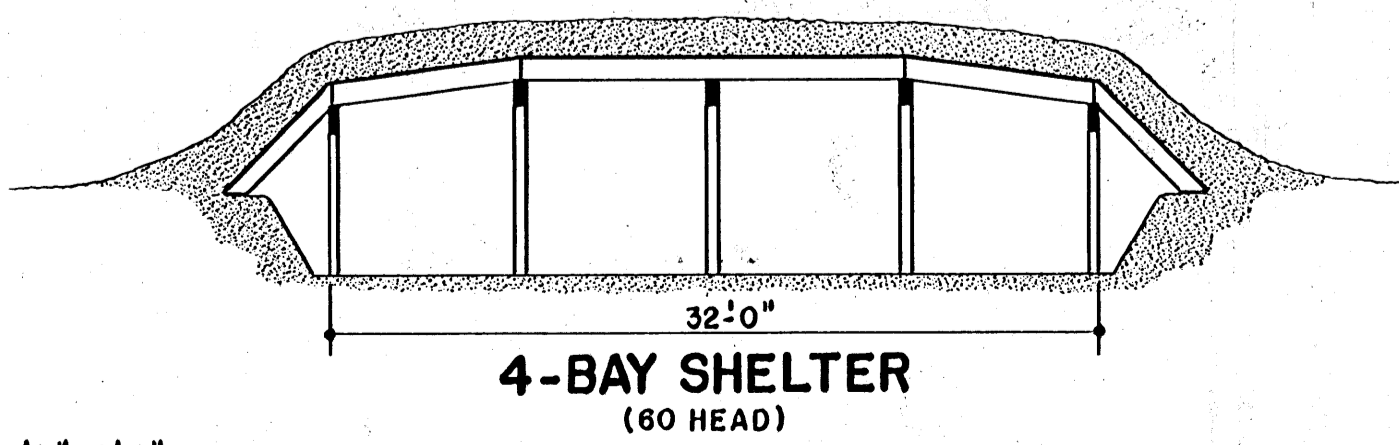
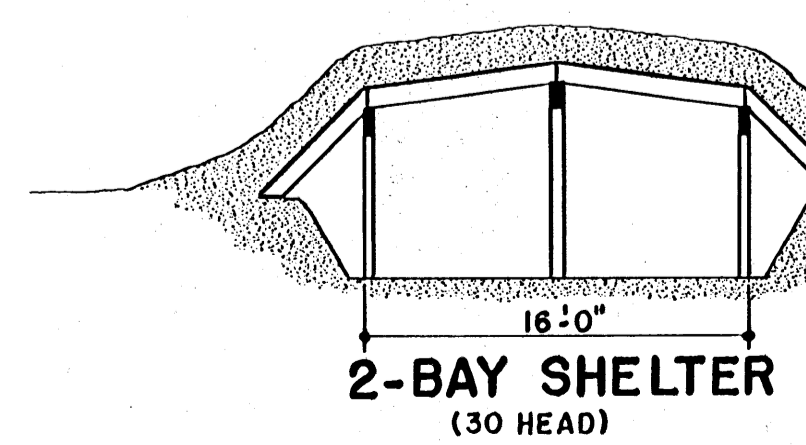
RETAINING WALL



ENTRANCE GATE



PARAPET SUPPORTS



SCALE: 1/8" = 1'-0"

SCALE: 3/8" = 1'-0", EXCEPT AS NOTED
 COOPERATIVE EXTENSION WORK IN AGRICULTURE AND HOME ECONOMICS
 STATE OF MISSISSIPPI
 MISSISSIPPI STATE UNIVERSITY
 AND
 UNITED STATES DEPARTMENT OF AGRICULTURE COOPERATING
BUNKER-TYPE FALLOUT SHELTER FOR BEEF CATTLE
 USDA '63 EX. 5950 SHEET 2 OF 2