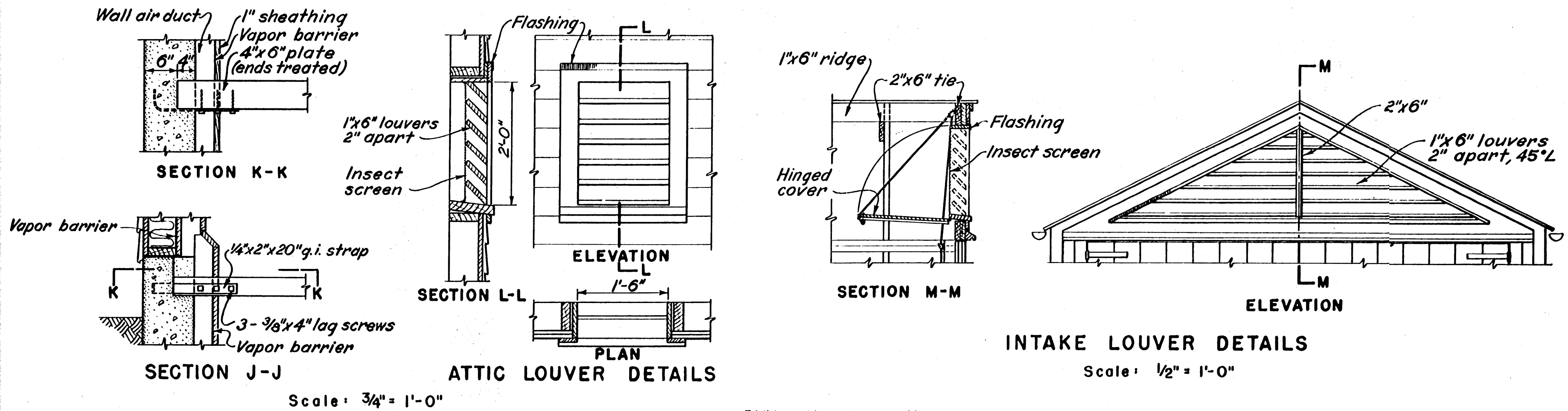


Note: Bracket light & convenience outlet in work alley are mounted 7'-0" above floor.

COOPERATIVE EXTENSION WORK IN
 AGRICULTURE AND HOME ECONOMICS
 STATE OF MISSISSIPPI
 MISSISSIPPI STATE UNIVERSITY
 UNITED STATES DEPARTMENT OF AGRICULTURE COOPERATING

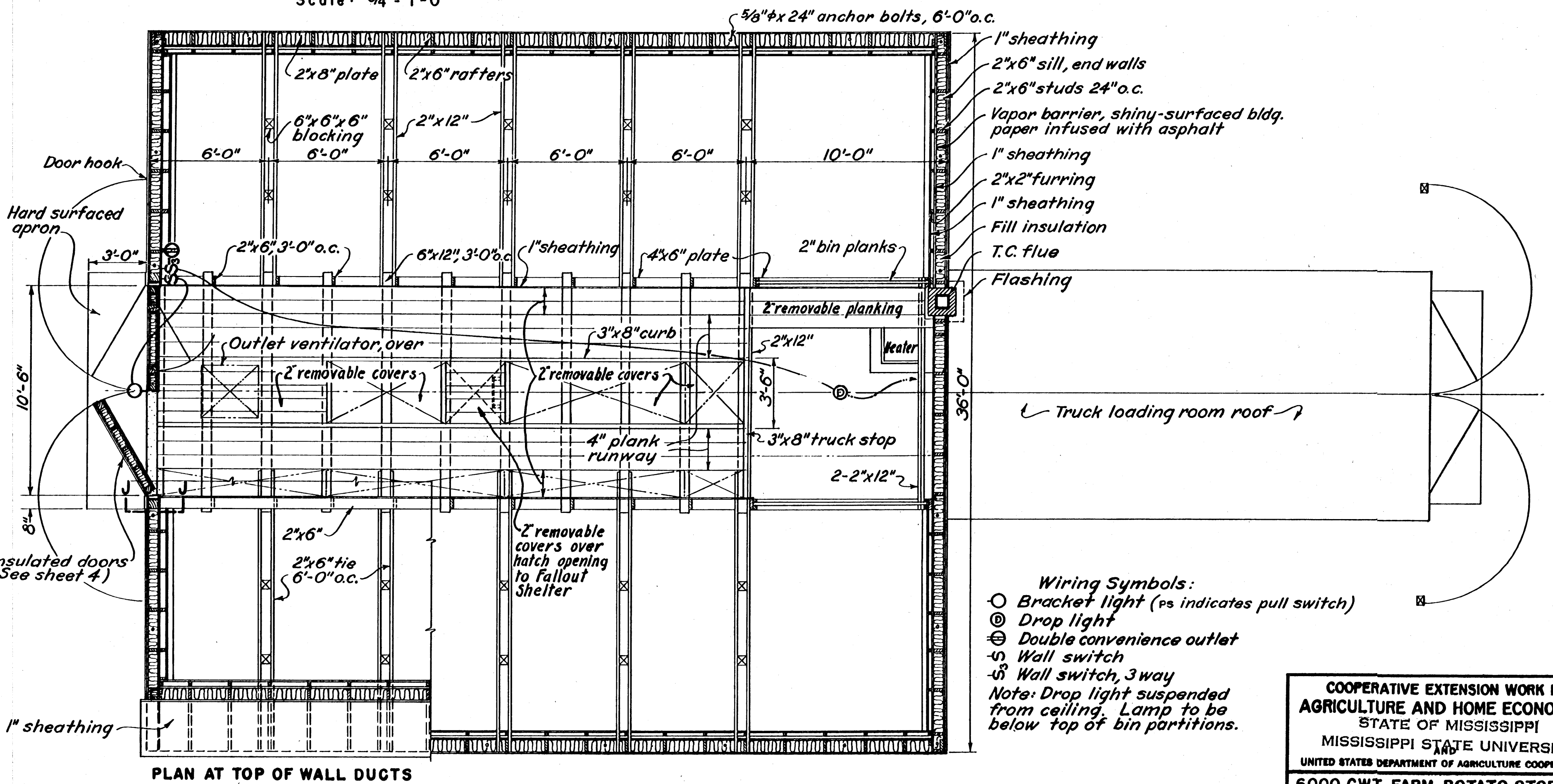
6000 CWT FARM POTATO STORAGE WITH FALLOUT SHELTER

USDA 1963 EX. 5951 SHEET 1 OF 5



INTAKE LOUVER DETAILS

Scale: $\frac{1}{2}'' = 1'-0''$

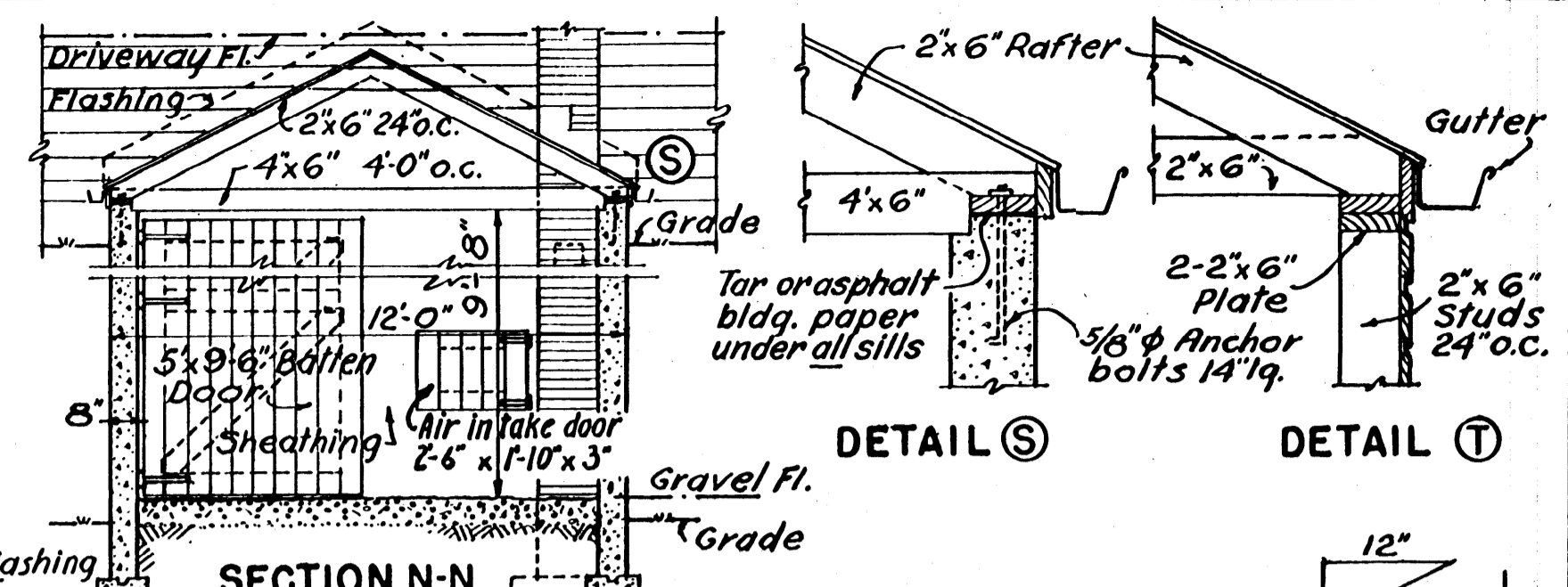
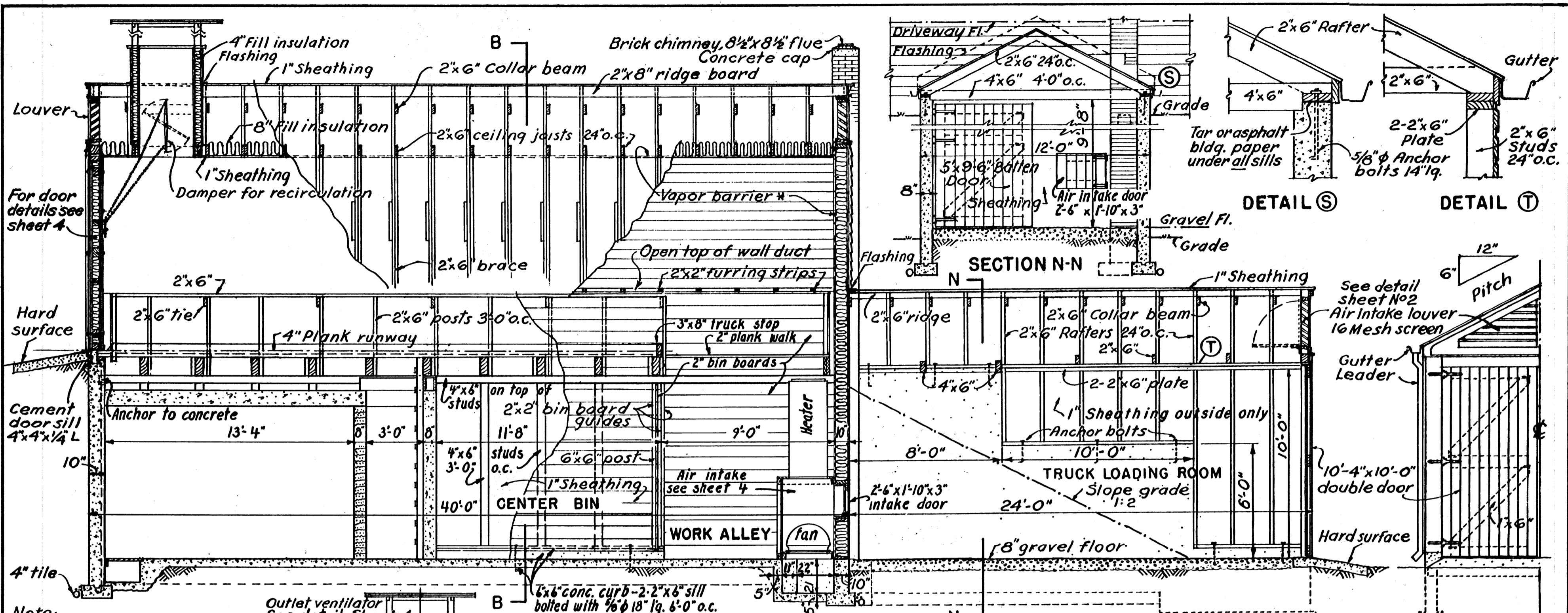


PLAN AT TOP OF WALL DUCTS

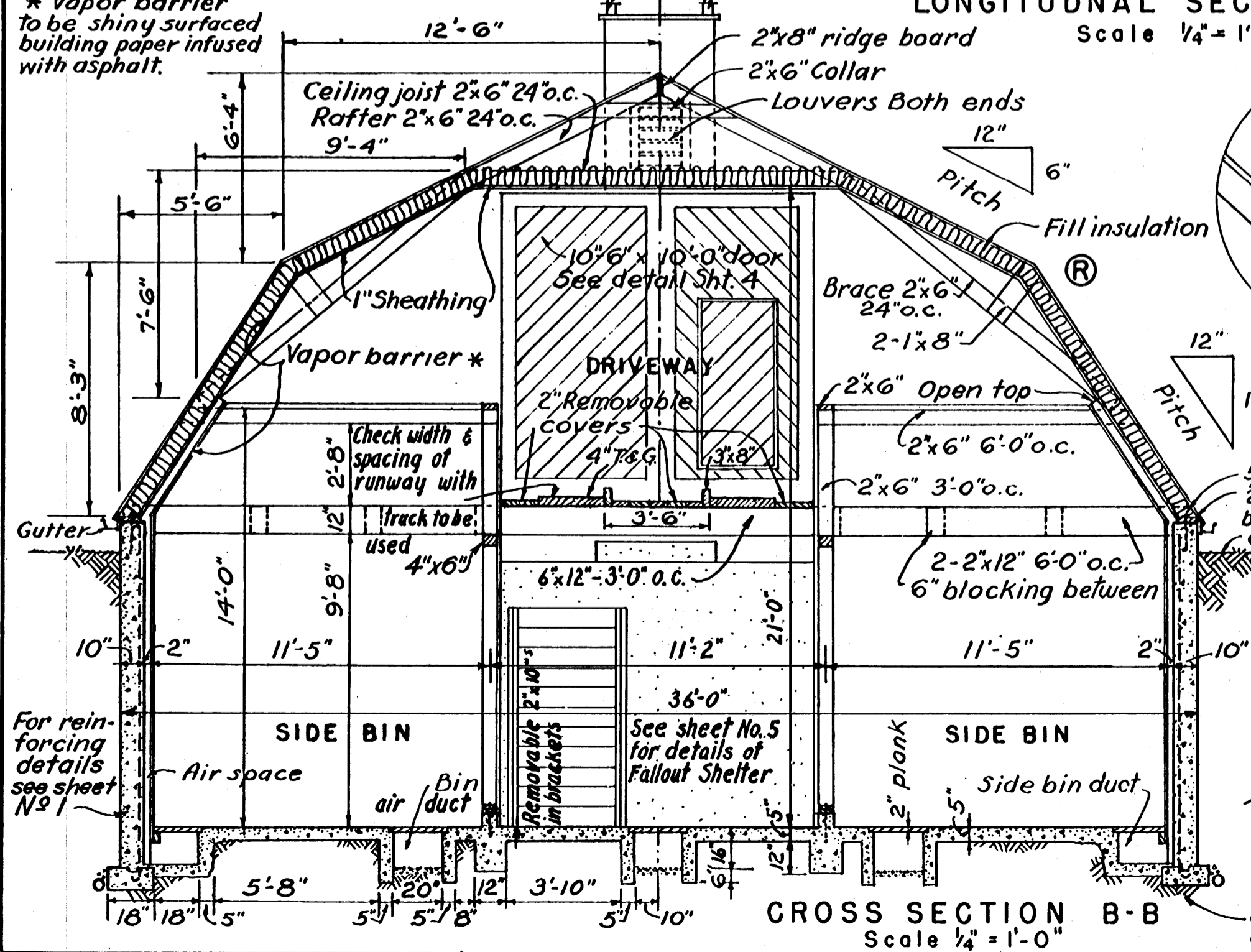
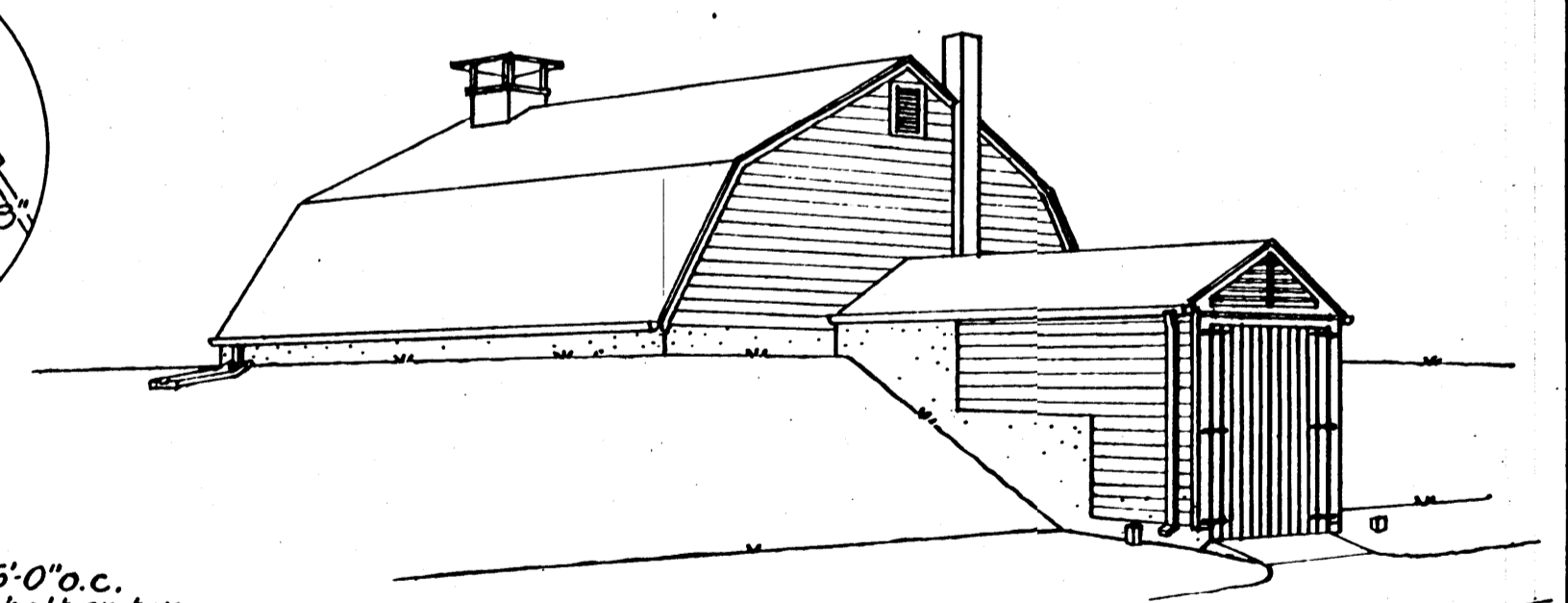
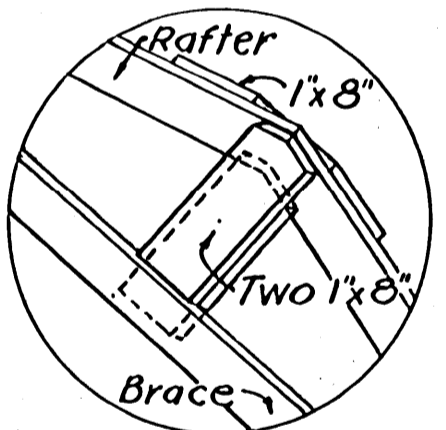
DRIVEWAY FLOOR PLAN

Scale: $\frac{1}{4}'' = 1'-0''$

- Wiring Symbols:
- Bracket light (ps indicates pull switch)
 - ⊙ Drop light
 - ⊕ Double convenience outlet
 - ⊖ Wall switch
 - ⊙ Wall switch, 3 way
- Note: Drop light suspended from ceiling. Lamp to be below top of bin partitions.



Note:
* Vapor barrier to be shiny surfaced building paper infused with asphalt.

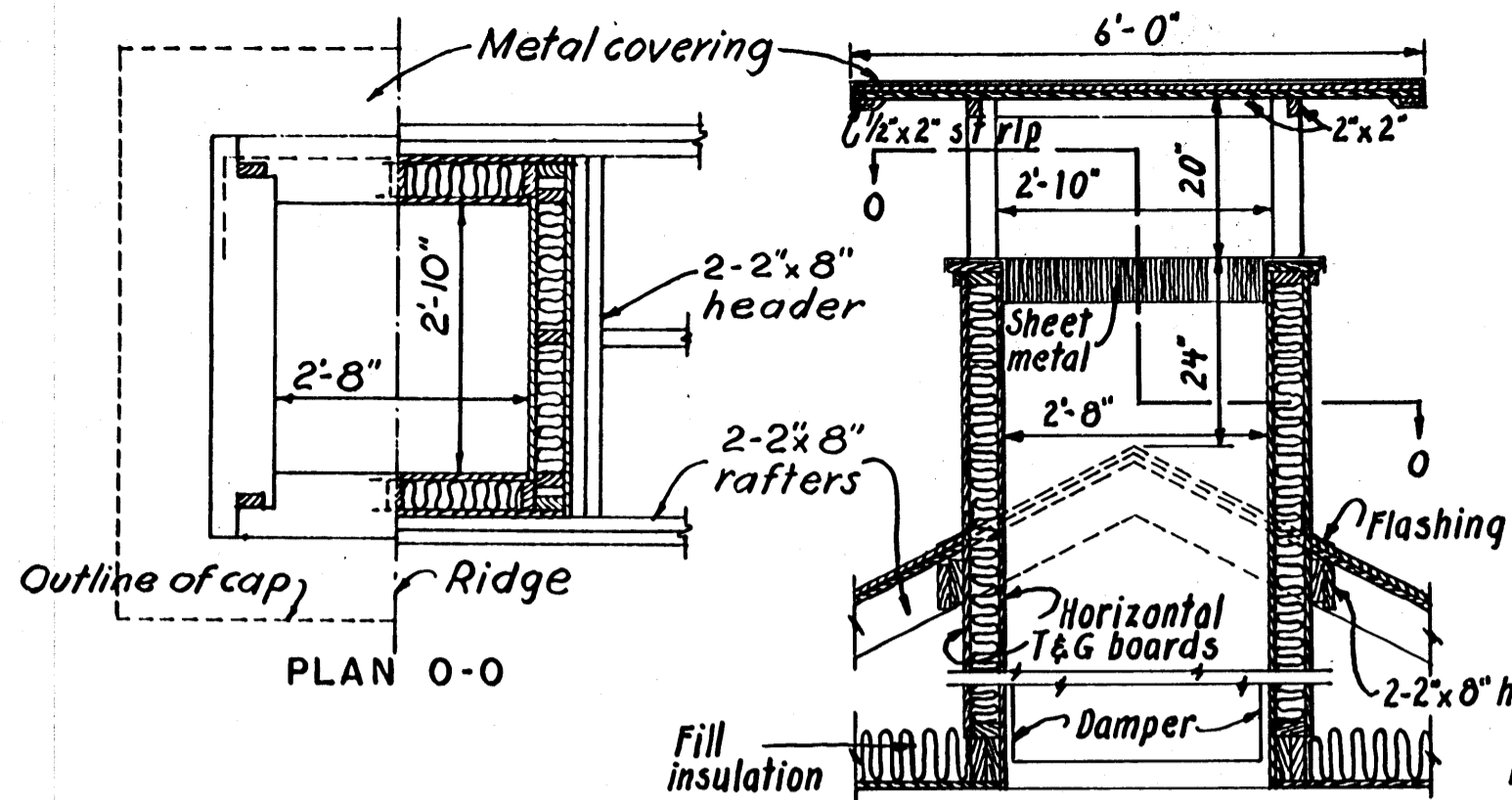


REVISED July 1949

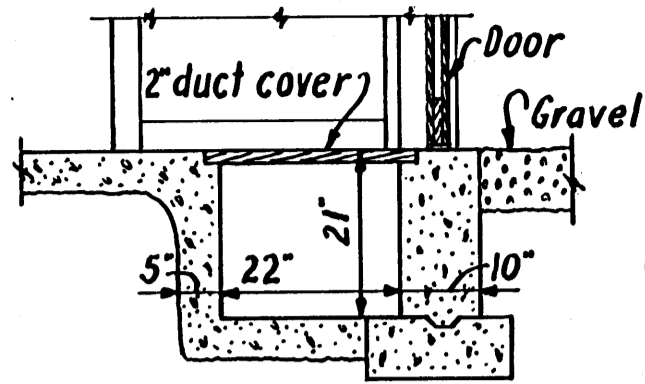
COOPERATIVE EXTENSION WORK IN
AGRICULTURE AND HOME ECONOMICS
STATE OF MISSISSIPPI
MISSISSIPPI STATE UNIVERSITY
AND
UNITED STATES DEPARTMENT OF AGRICULTURE COOPERATING

**6000 CWT FARM POTATO STORAGE
WITH FALLOUT SHELTER**

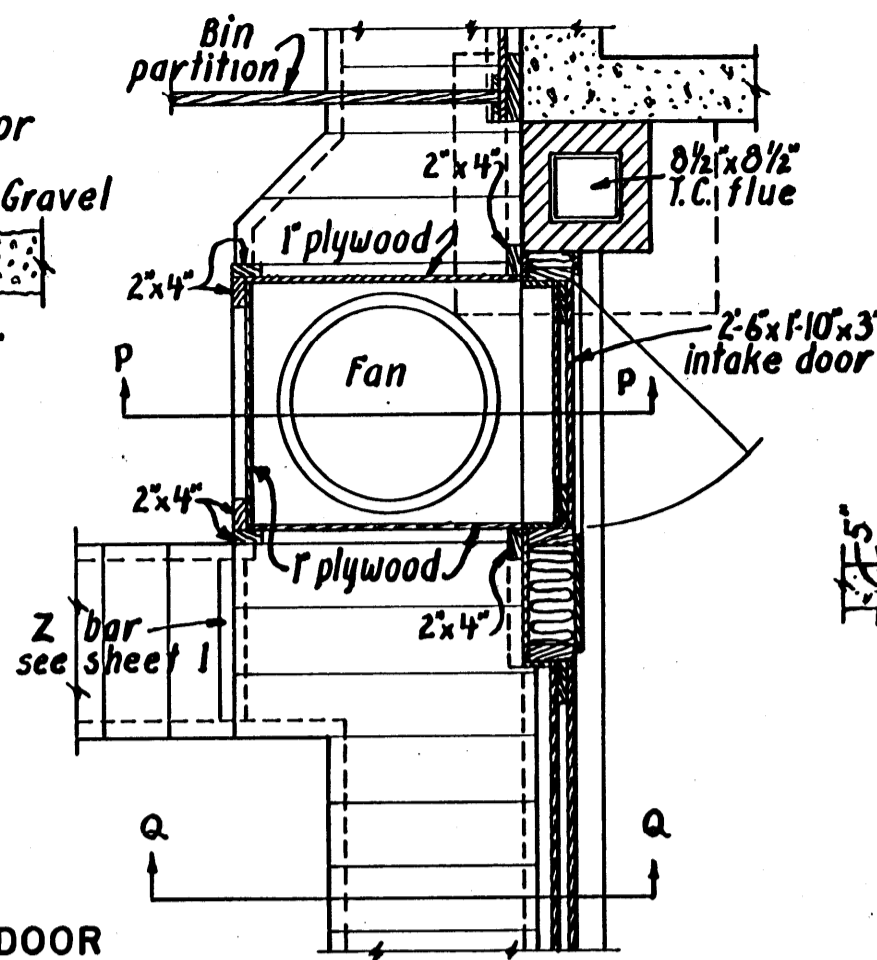
USDA 1963 EX. 5951 SHEET 3 OF 5



SECTION THRU VENTILATOR
VENTILATOR DETAILS
SCALE 1/2" = 1'-0"

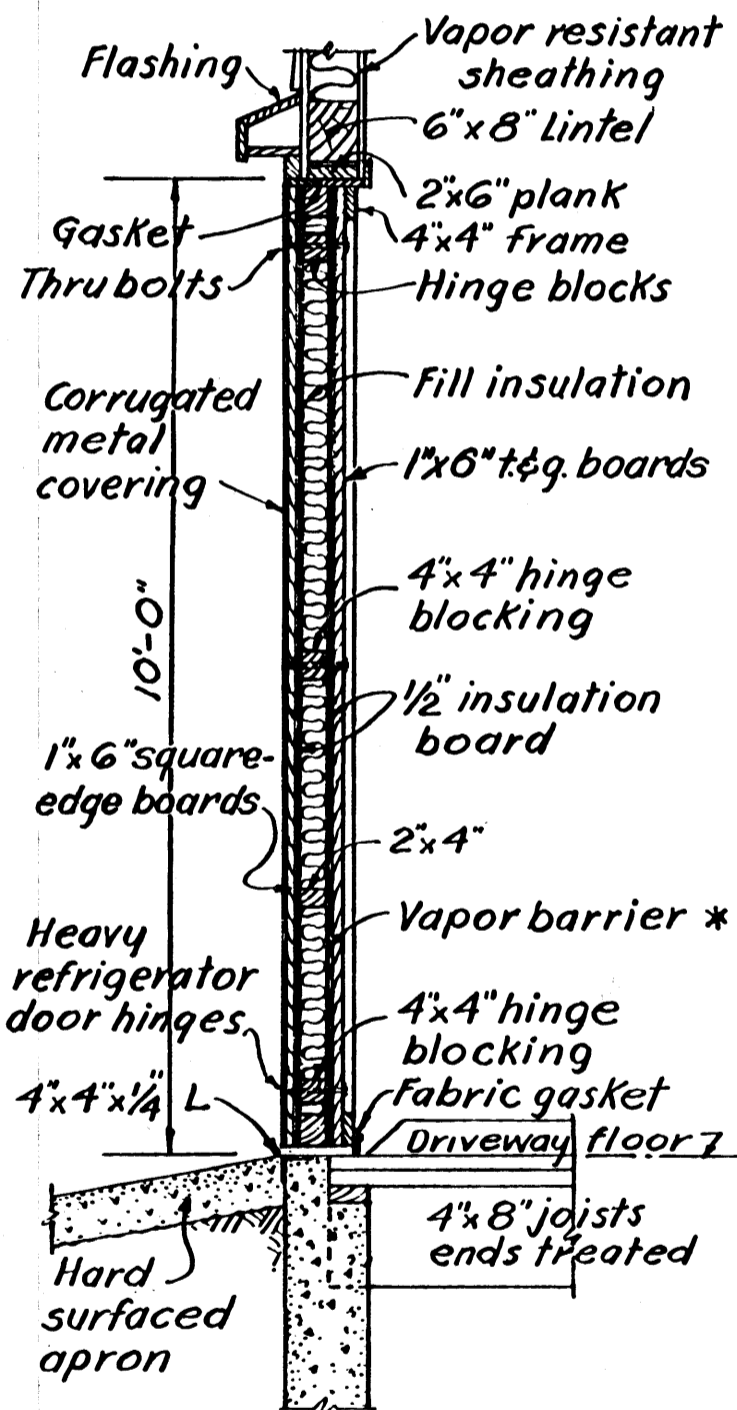


SECTION Q-Q

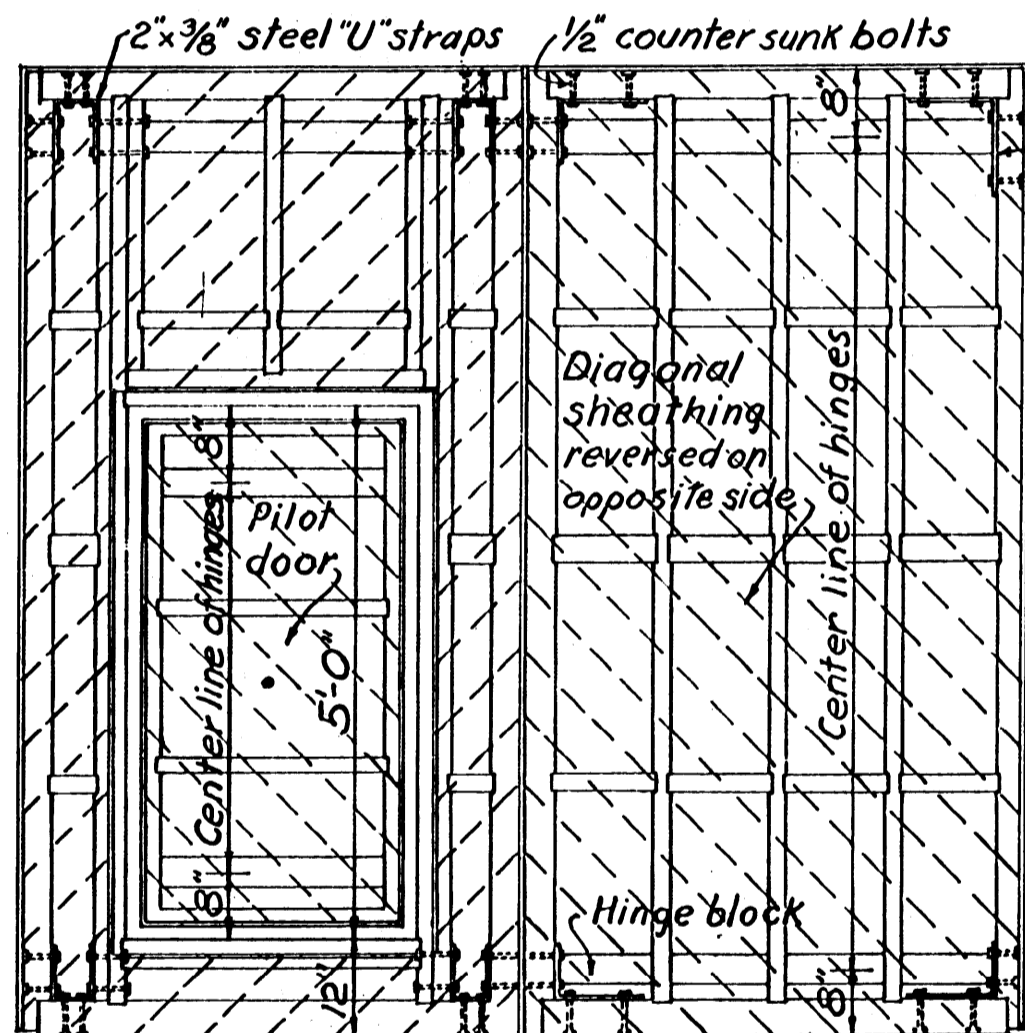


SECTION P-P

AIR INTAKE & RECIRCULATION BOX
SCALE 1/2" = 1'-0"

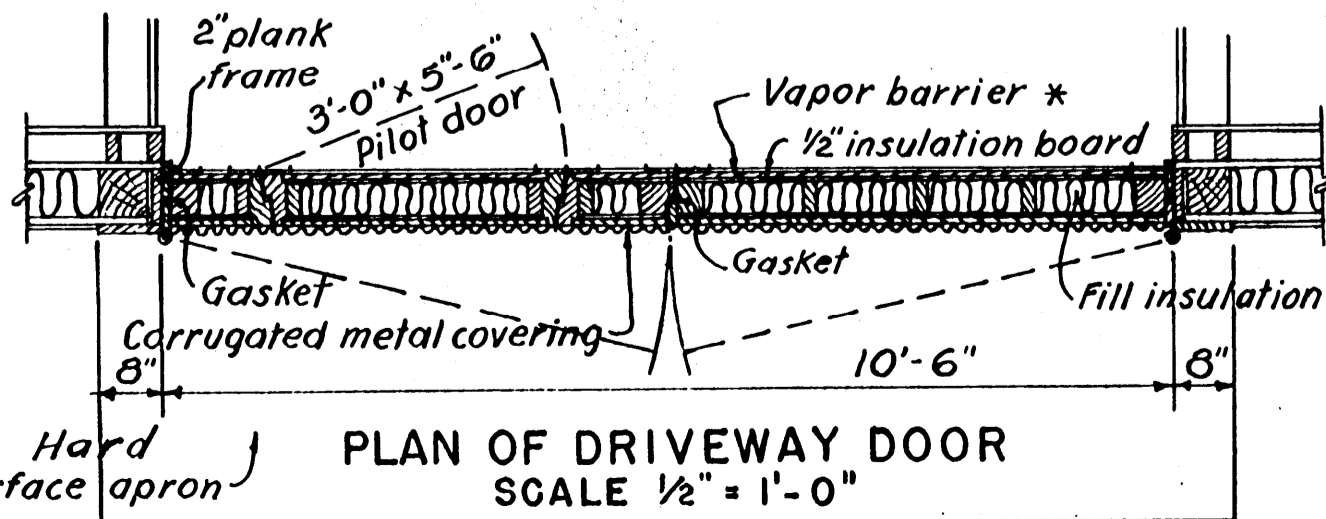


SECTION THRU DRIVEWAY DOOR



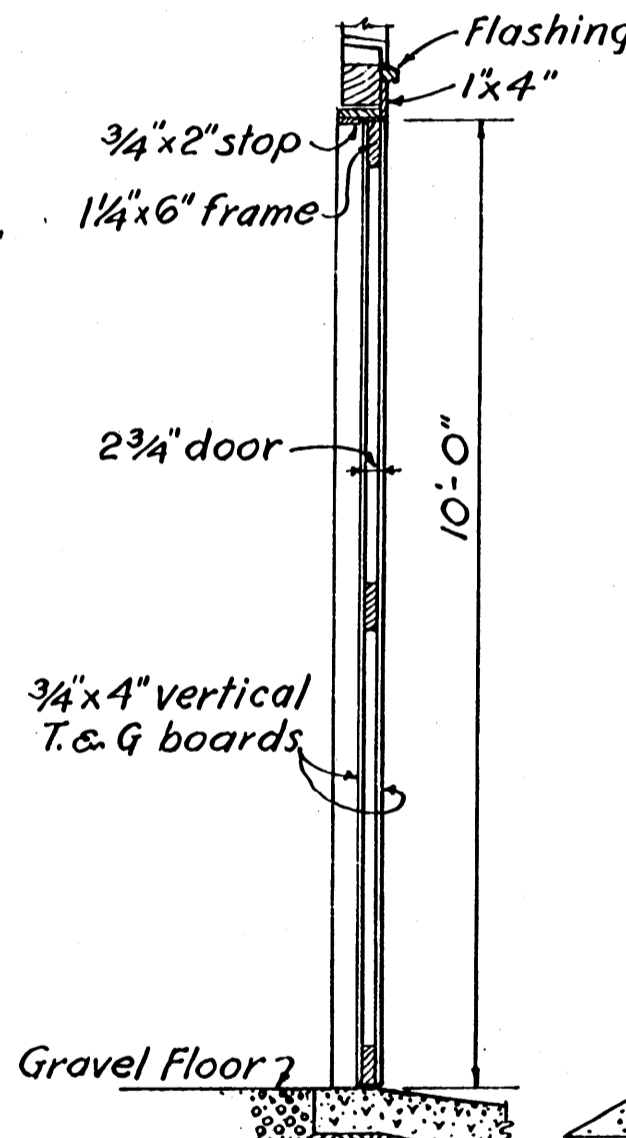
ELEVATION OF DOOR FRAMING

Note: Dimensions for doors are for clear openings when constructing driveway doors allow 1/2" clearance on all four sides & between doors and 1/8" clearance on four sides at pilot door. Truck loading room doors to have 1/4" clearance at jams & between doors and 1/2" clearance at head and sill. All other doors to have clearance to allow for swelling.

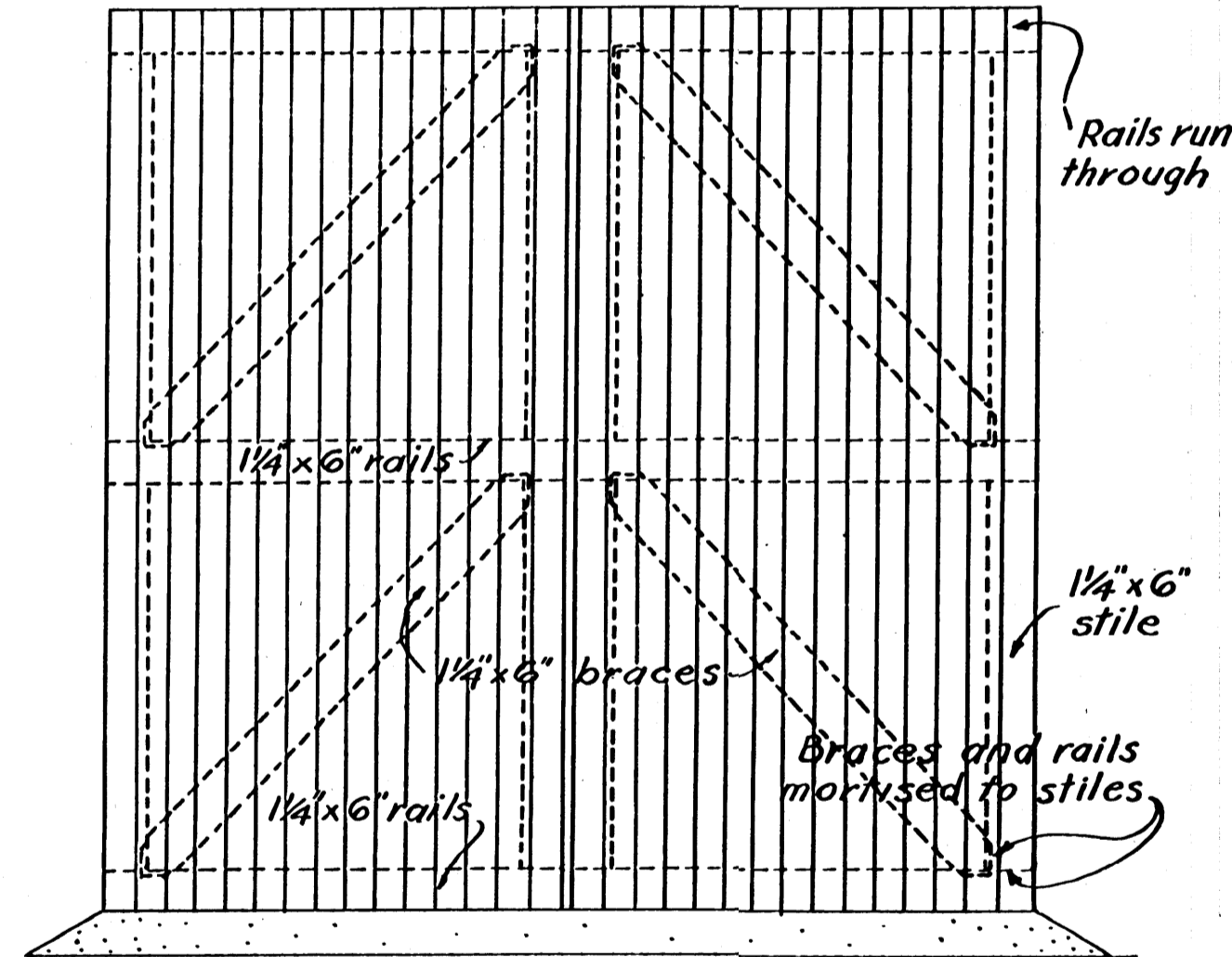


PLAN OF DRIVEWAY DOOR
SCALE 1/2" = 1'-0"

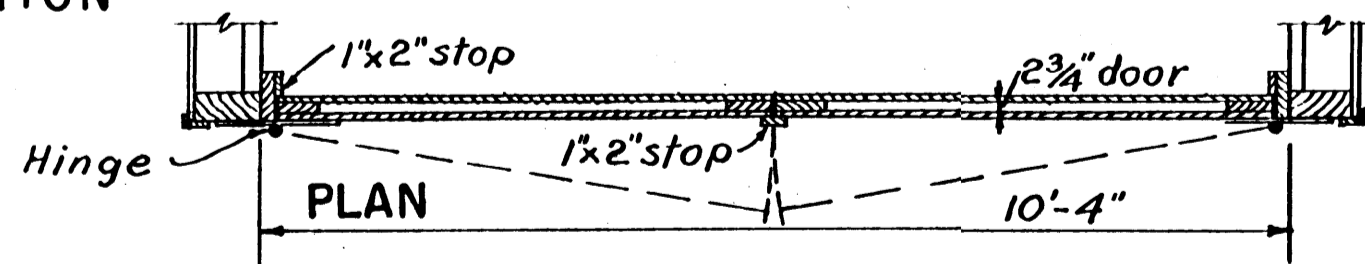
Note: Hinges to be fastened to door before corrugated metal covering is applied
* Vapor barrier shall be shiny surfaced bldg. paper infused with asphalt or metal foil.



SECTION



ELEVATION



TRUCK LOADING ROOM DOOR
SCALE 1/2" = 1'-0"

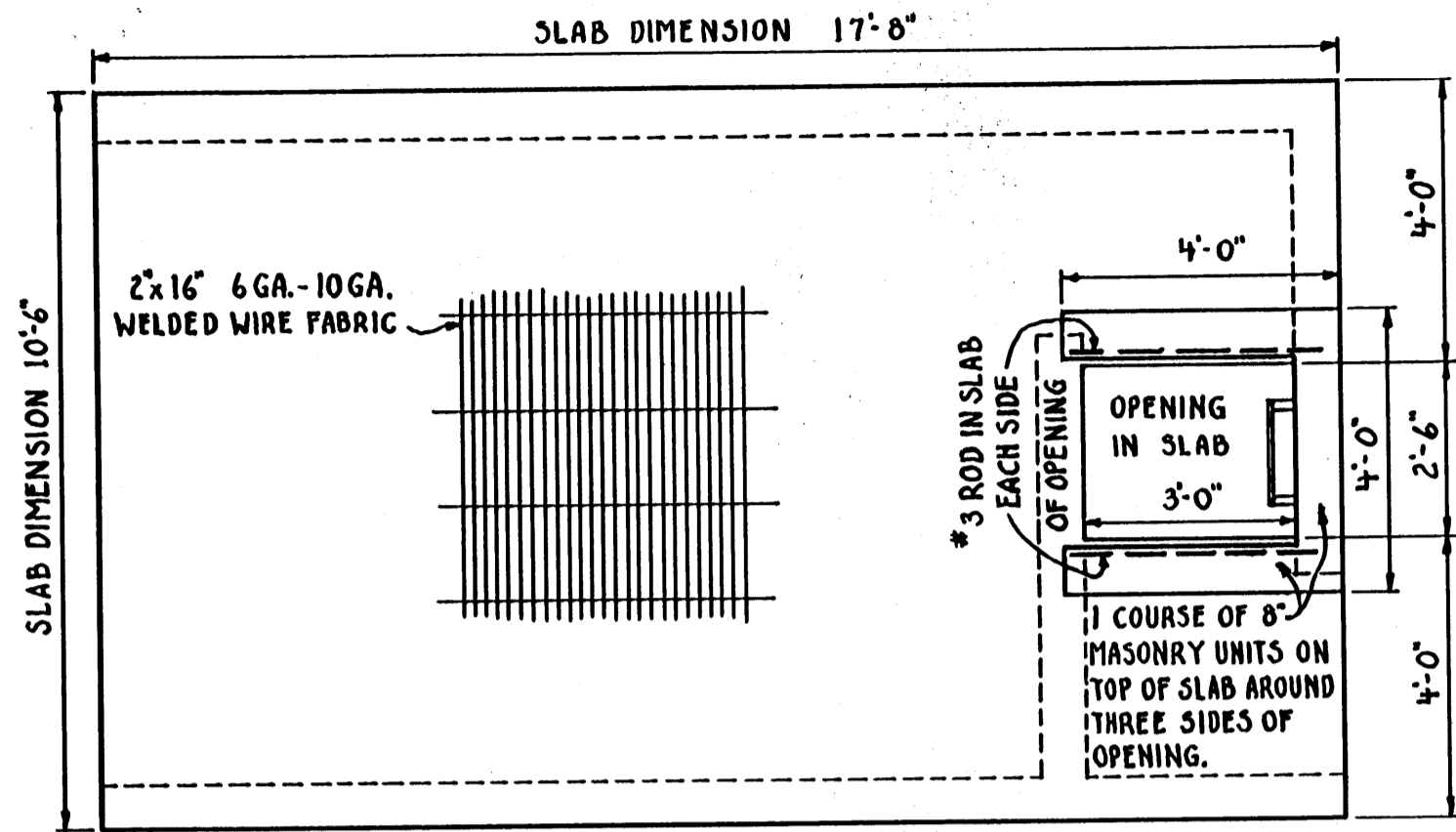
Note: Alley Room Door is similar to Truck Loading Room Door. in construction. For dimensions see Section on Sheet No 3

COOPERATIVE EXTENSION WORK IN AGRICULTURE AND HOME ECONOMICS
STATE OF MISSISSIPPI
MISSISSIPPI STATE UNIVERSITY
UNITED STATES DEPARTMENT OF AGRICULTURE COOPERATING

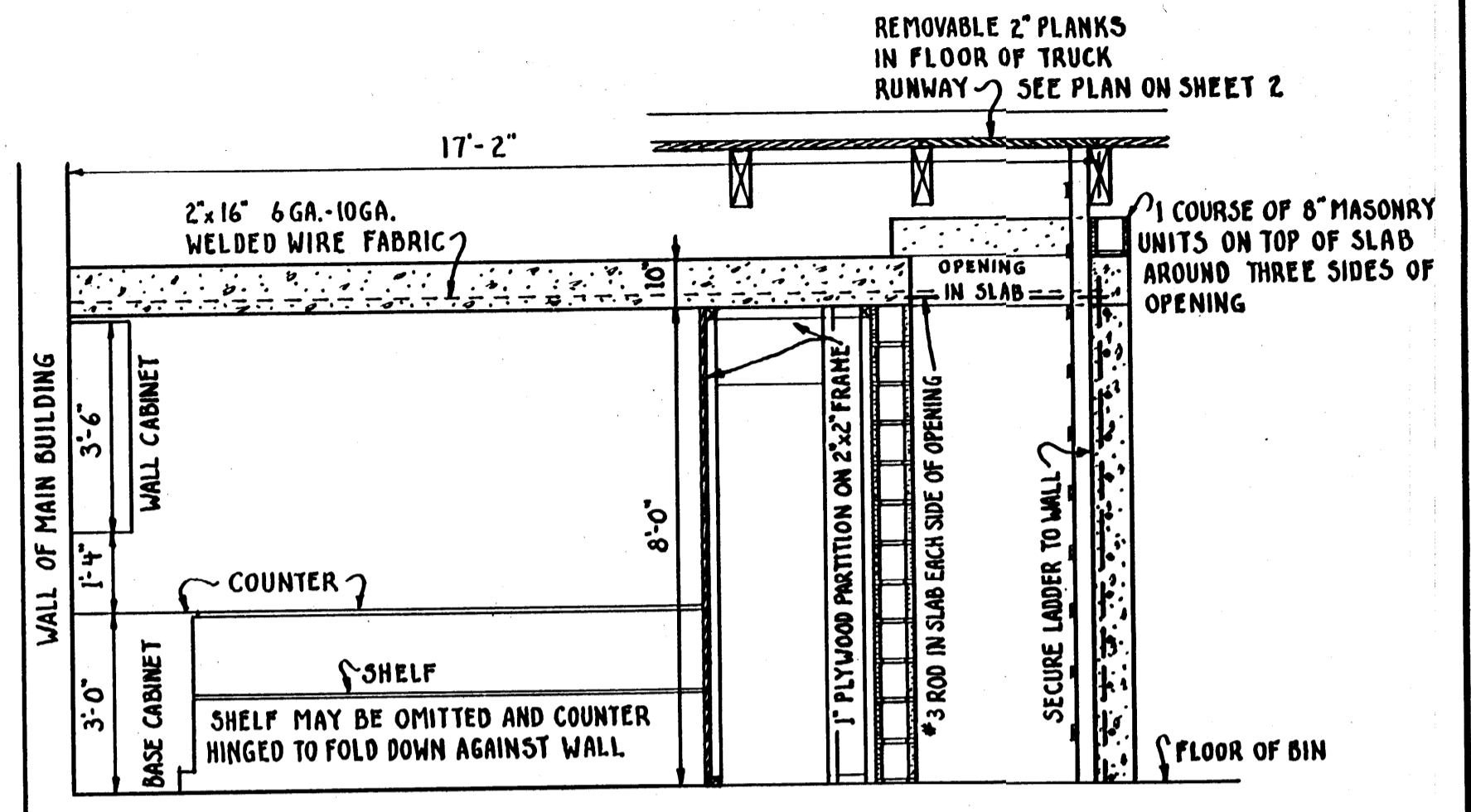
6000 CWT FARM POTATO STORAGE WITH FALLOUT SHELTER

USDA 1963 EX. 5951 SHEET 4 OF 5

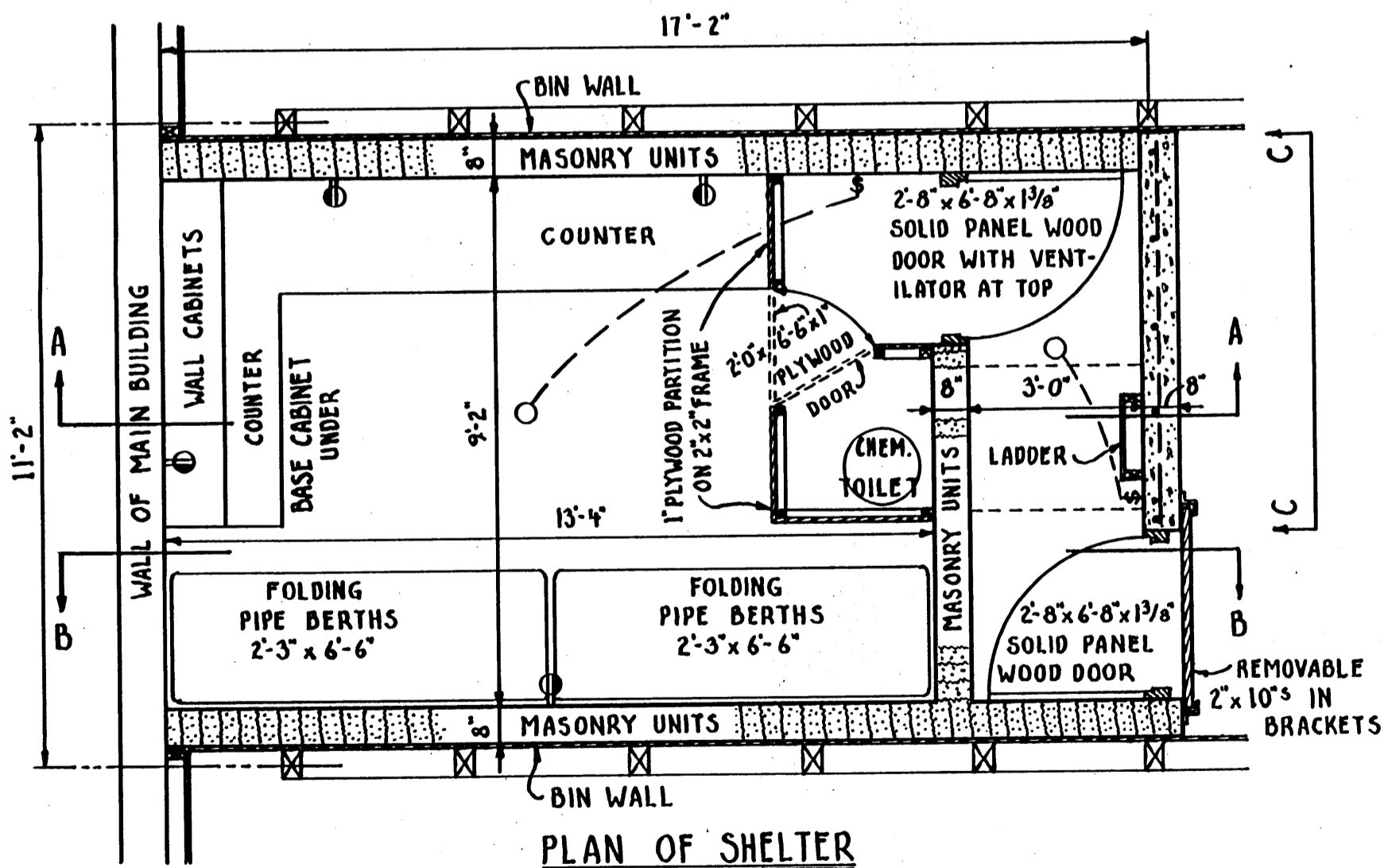
**DETAILS OF
FALLOUT SHELTER**
SCALE 3/8"=1'-0"



**PLAN OF CEILING SLAB
SHOWING REINFORCING**

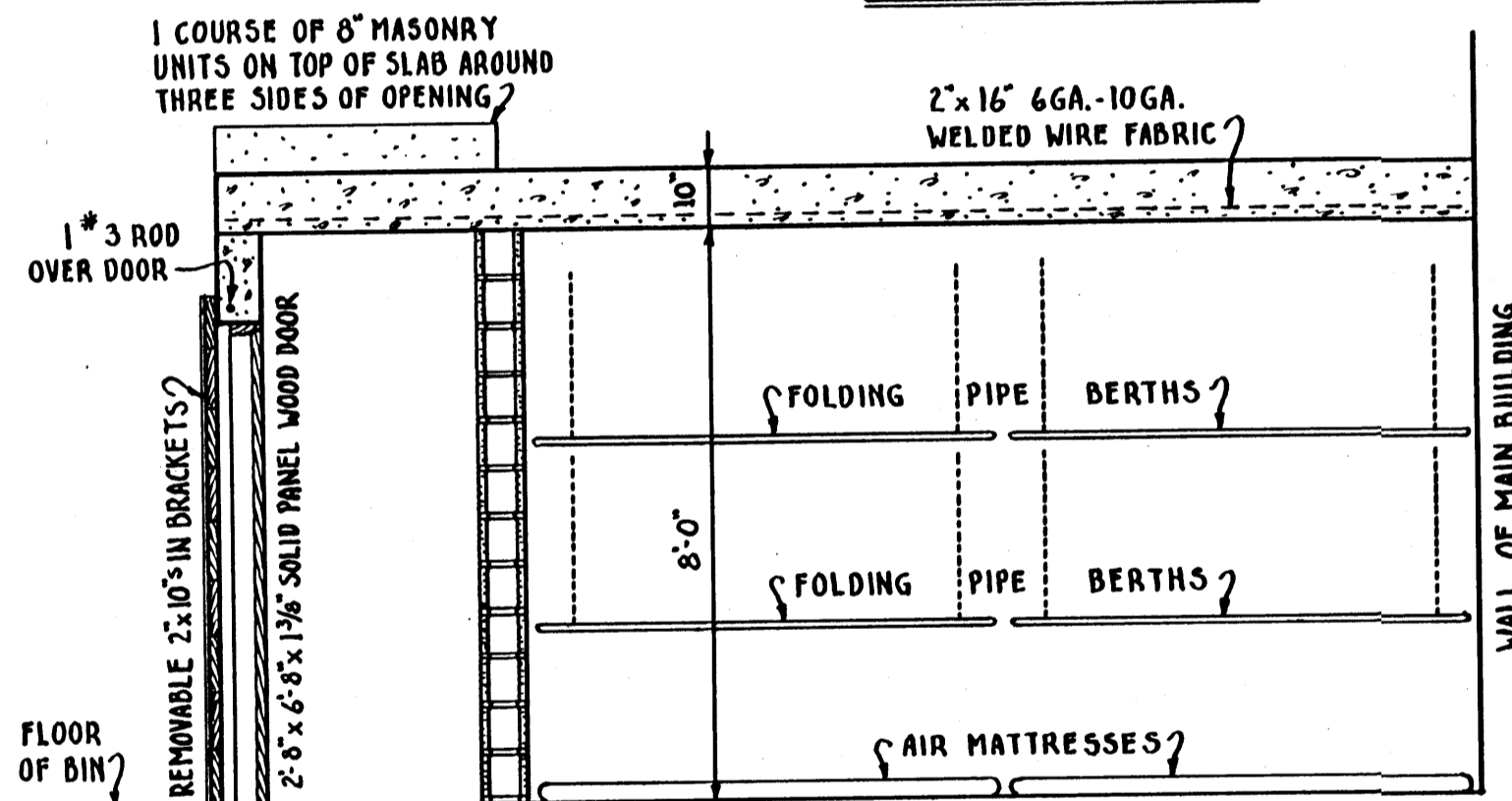


ELEVATION AT A-A

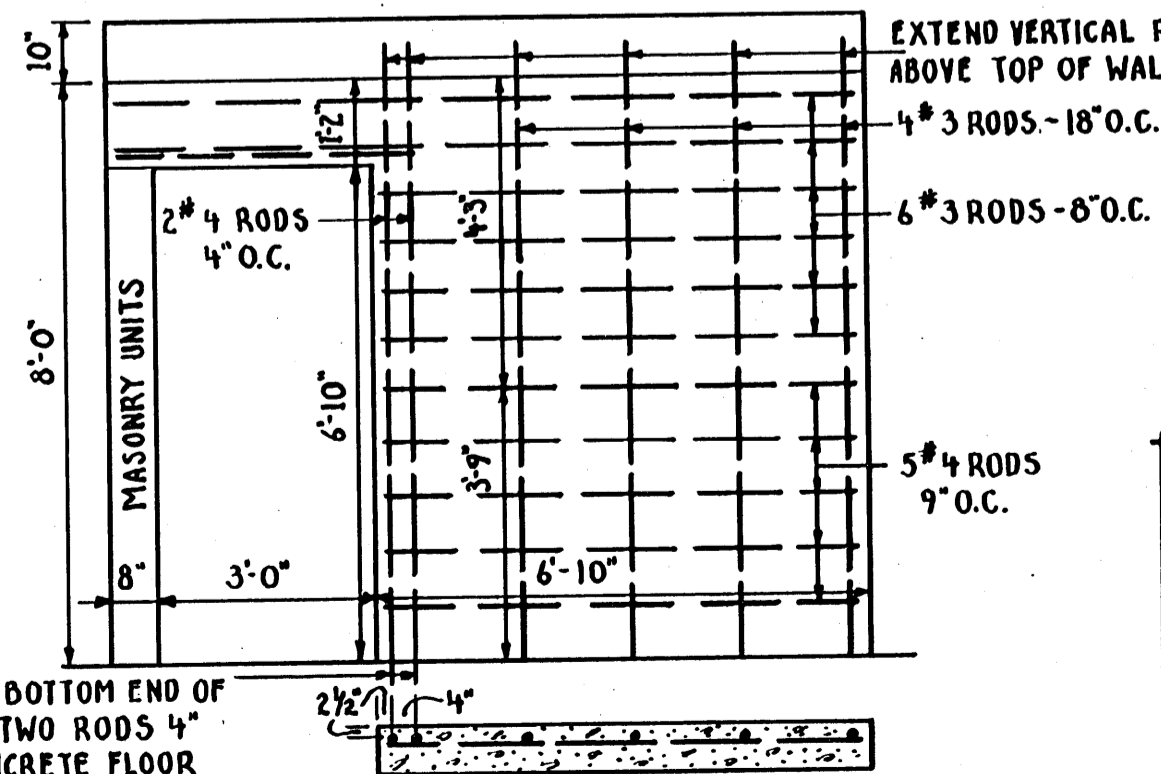


PLAN OF SHELTER

NOTES:—VENTILATION IS PROVIDED BY AIR SUPPLY DUCTS IN THE FLOOR, THE VENTILATOR IN THE TOP OF THE INSIDE DOOR AND THE HATCH OPENING IN THE CEILING SLAB.
FOLDING PIPE BERTHS SHOWN ARE RECTANGULAR FRAMES OF 1" STANDARD PIPE WITH PLAIN ELBOWS. COVER WITH 1/2"x1" WELDED WIRE FABRIC, WITH TRANSVERSE WIRES SPACED 1/2".
THESE BERTHS MAY BE CONSTRUCTED AS FIXED WOOD STORAGE SHELVES.
☉ CONVENIENCE OUTLET.



ELEVATION AT B-B



PLAN

EXTEND BOTTOM END OF THESE TWO RODS 4" INTO CONCRETE FLOOR

**ELEVATION AT C-C
SHOWING REINFORCING**

COOPERATIVE EXTENSION WORK IN
AGRICULTURE AND HOME ECONOMICS
STATE OF MISSISSIPPI
MISSISSIPPI STATE UNIVERSITY
AND
UNITED STATES DEPARTMENT OF AGRICULTURE COOPERATING

**6000 CWT FARM POTATO STORAGE
WITH FALLOUT SHELTER**

USDA 1963 EX. 5951 SHEET 5 OF 5