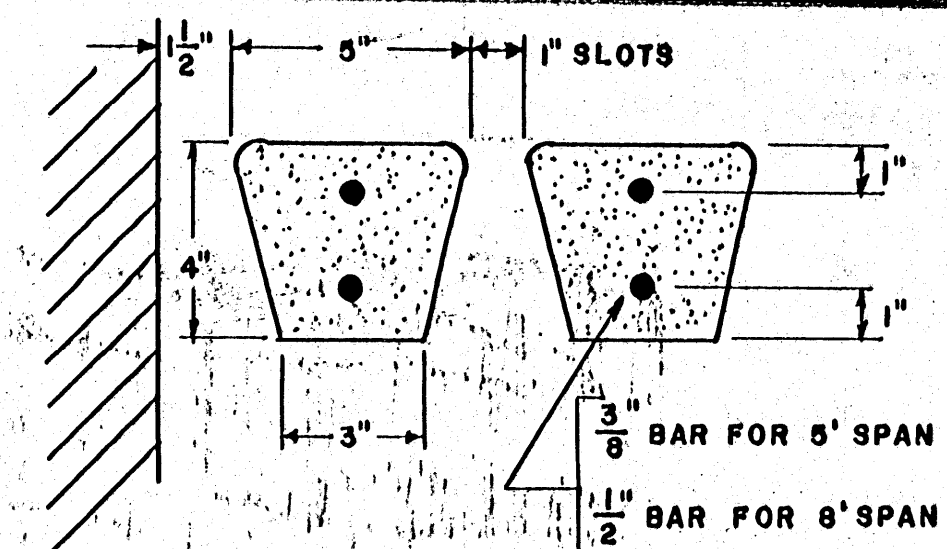


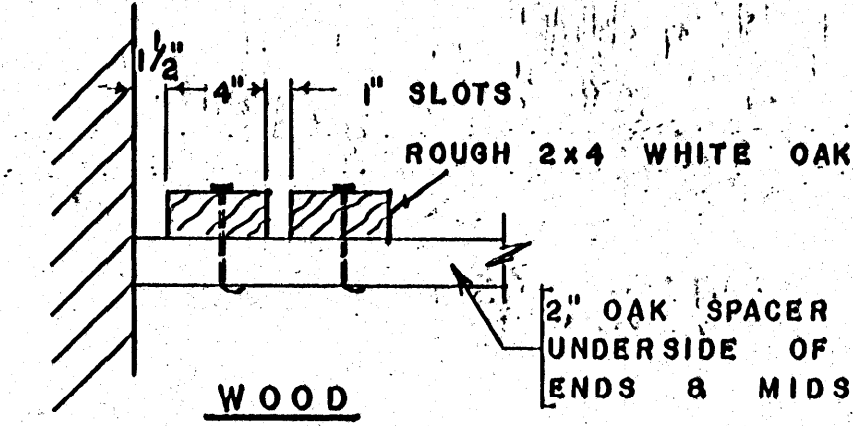
**PLAN**  
SCALE: 1/8" = 1'-0"

NOTES:  
PRESSURE-TREATED WOOD SHOULD RETAIN THE EQUIVALENT OF 8 LBS. OF CREOSOTE PER CU. FT.  
ALL METAL FASTENERS TO BE GALVANIZED.

NOTES:  
FILL FEEDERS WITH FIXED AUGER FROM FROM FEED BIN (IF TWO RATIONS ARE FED, TWO BINS ARE NEEDED) OR FROM TRUCK ON NORTH SIDE WITH PORTABLE AUGER.

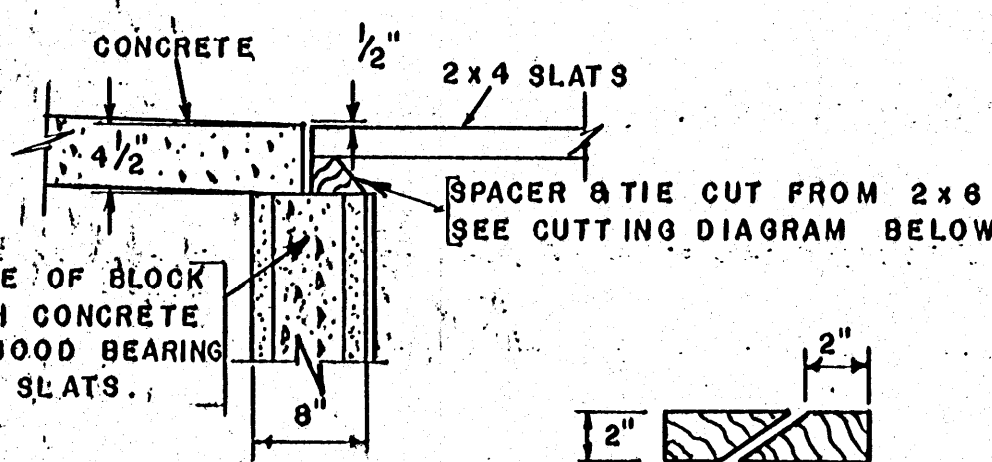


**CONCRETE**

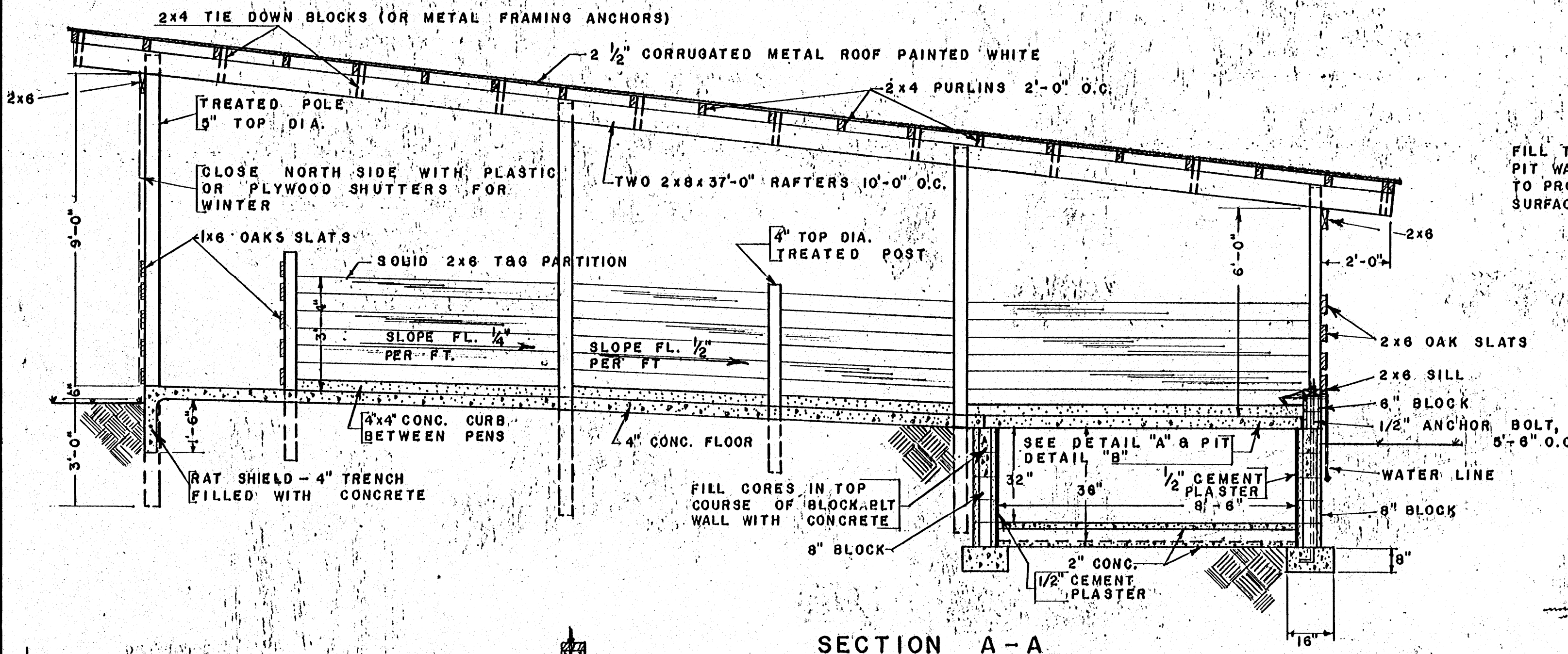


**WOOD**

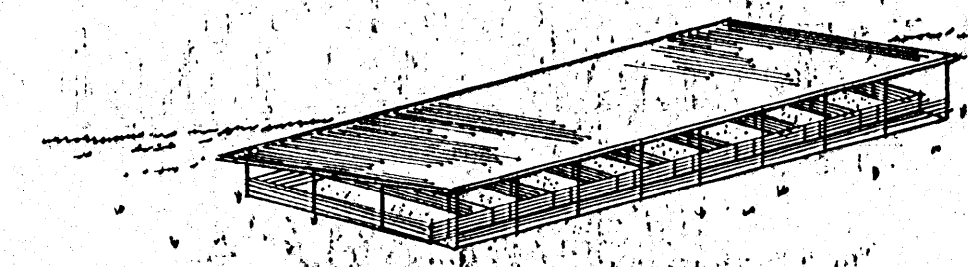
**SLAT DETAIL**  
SCALE: 1 1/2" = 1'-0" FINISH PLAN



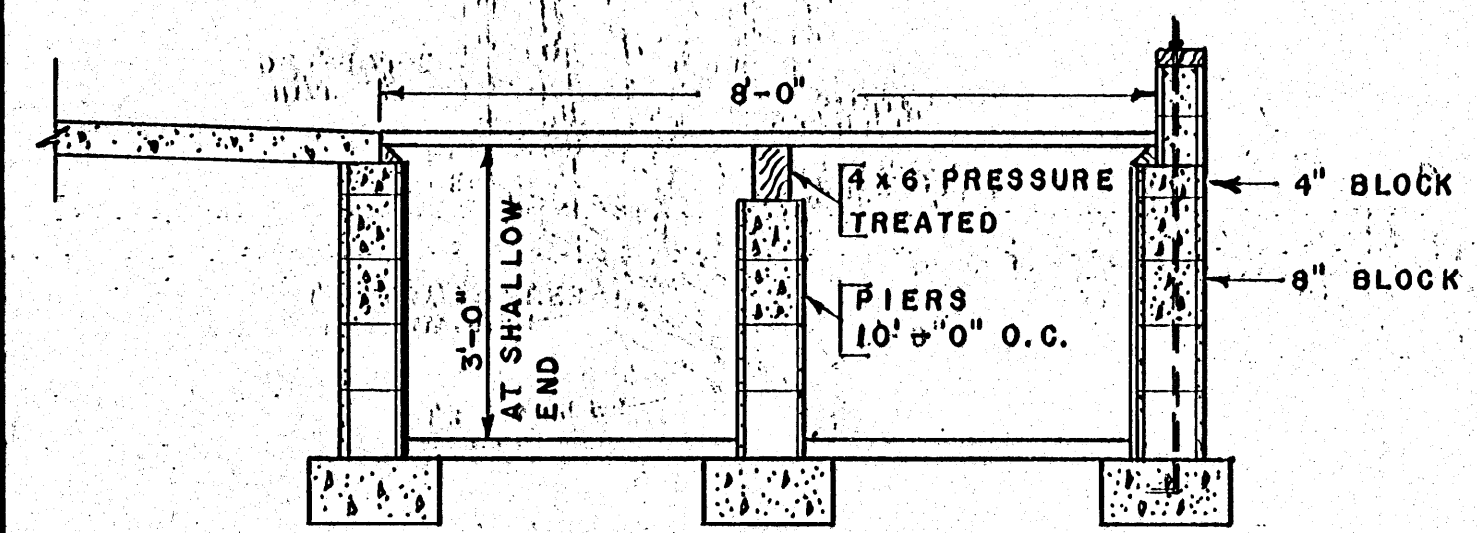
**PIT CONSTRUCTION DETAIL**  
NOT TO SCALE



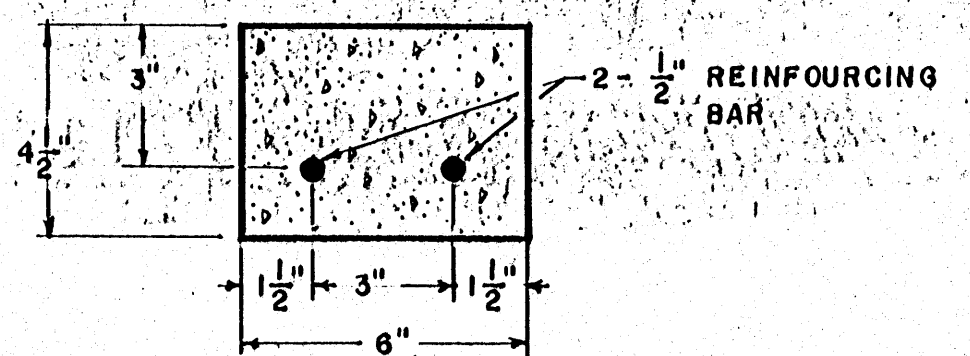
**SECTION A-A**  
SCALE: 3/8" = 1'-0"



**PERSPECTIVE**



**DETAIL "B"**  
SCALE: 1/2" = 1'-0"  
PIT DETAIL USING WOOD SLATS

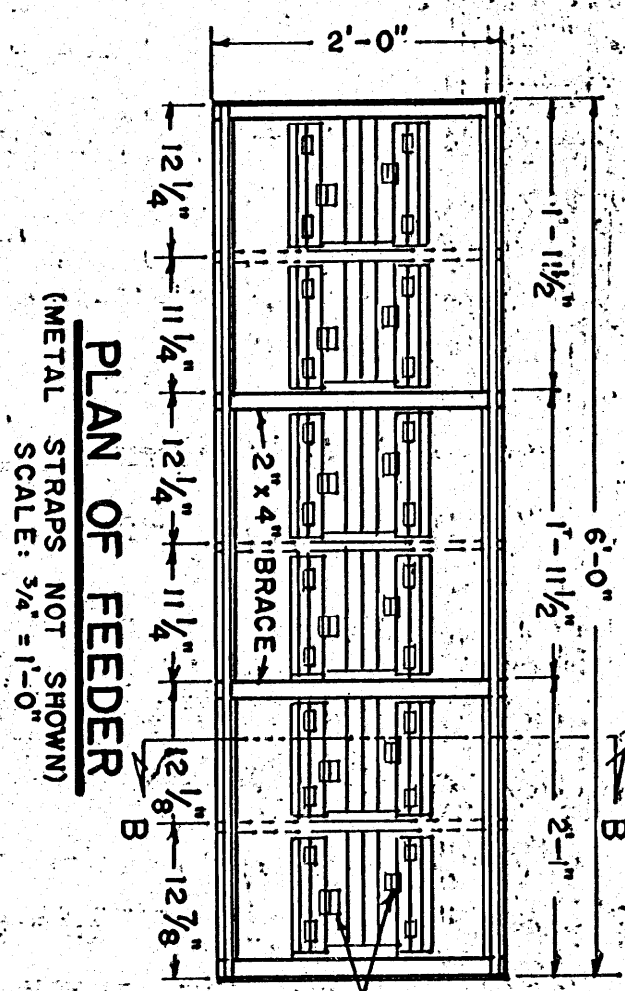


**DETAIL "A" - PRECAST LINTEL**  
SCALE: 3" = 1'-0"

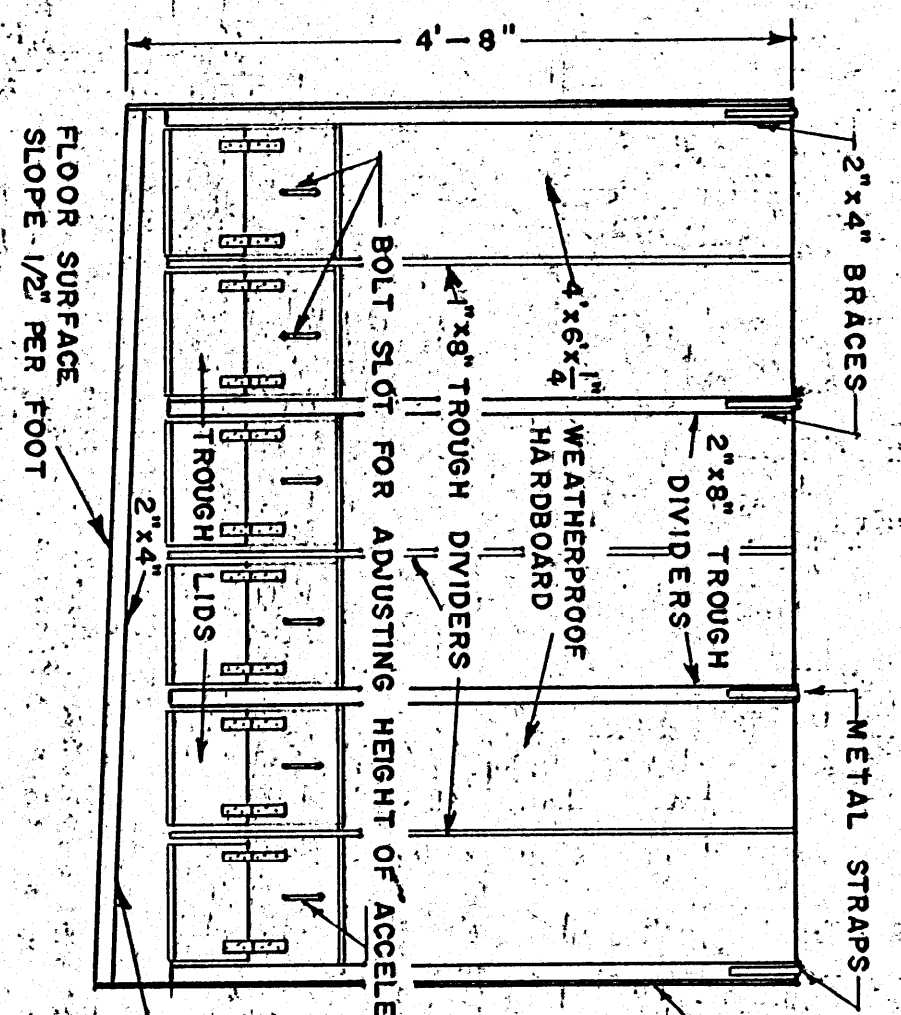
NOTE:  
LINTEL OVER PIT, CAN BE OMITTED IF CURB OVER PIT IS OMITTED.

<b>PART SLAT FEEDING FLOOR</b> 200 PIGS	
COOPERATIVE EXTENSION SERVICE STATE OF MISSISSIPPI MISSISSIPPI STATE UNIVERSITY AND UNITED STATES DEPARTMENT OF AGRICULTURE COOPERATING	
DRAWN BY: R.F.W.	CHECKED BY: L.M.
DATE: MAY, '71	DWG. NO. 5986-B SHEET 2 OF 2

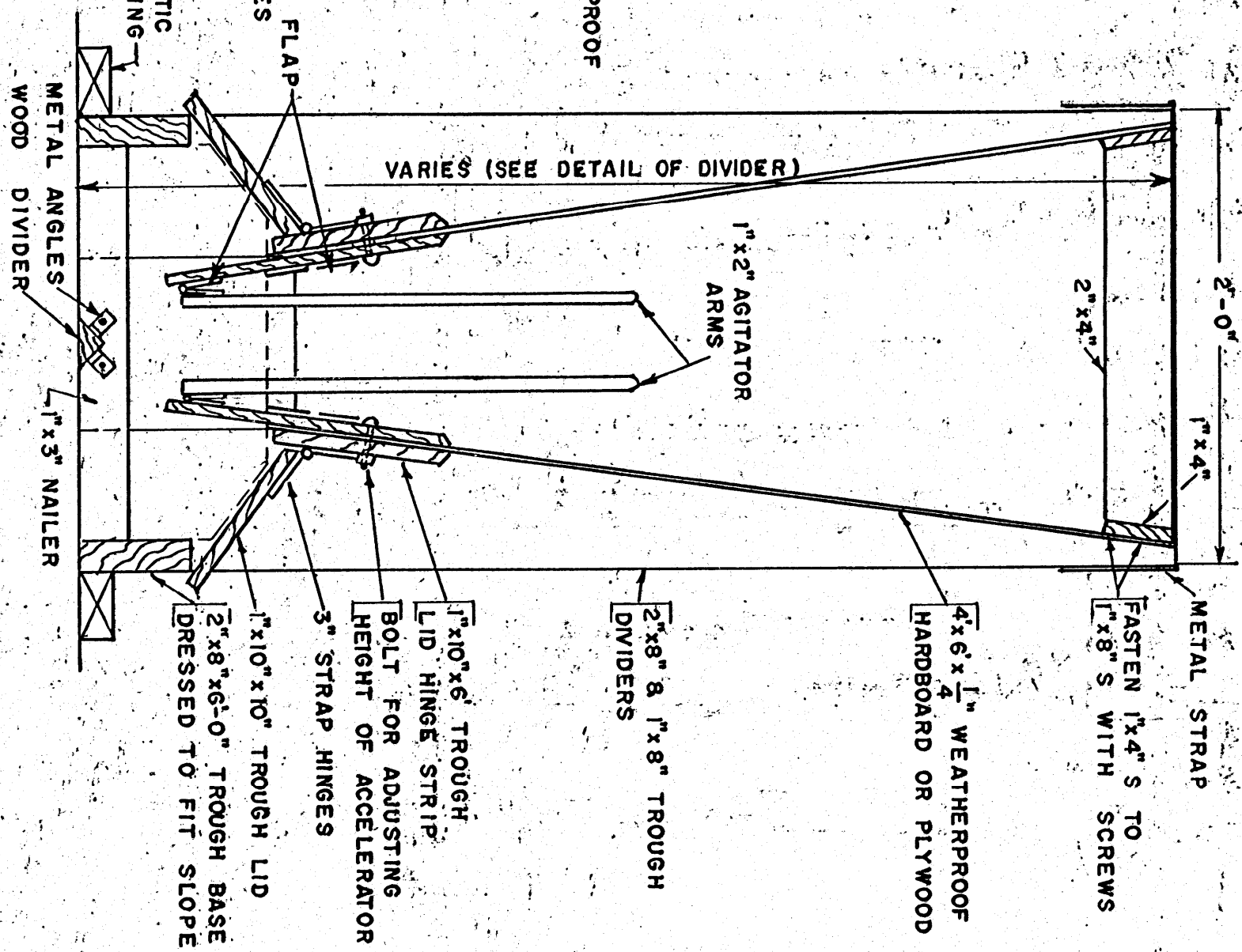




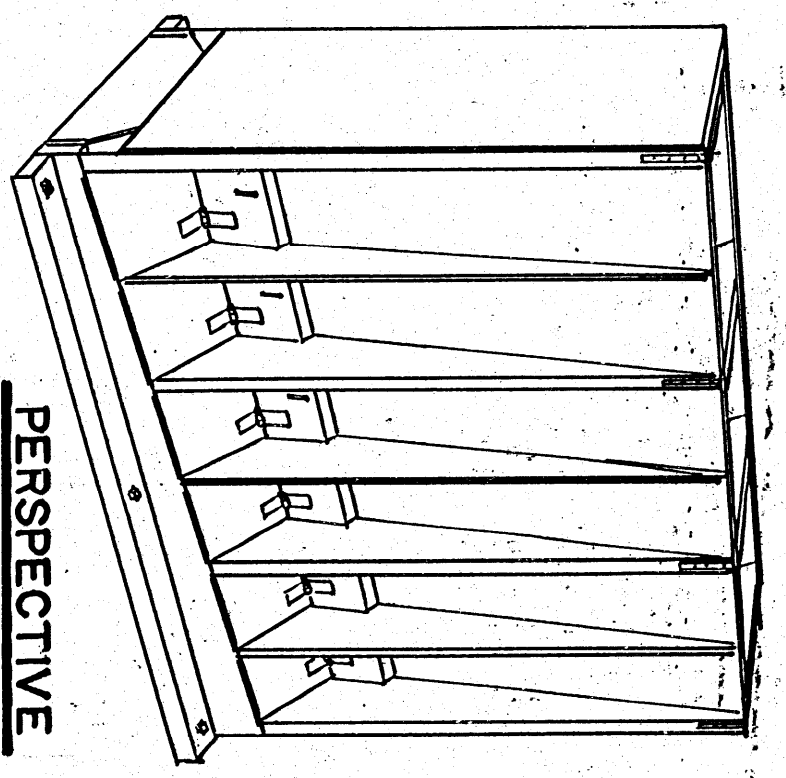
**PLAN OF FEEDER**  
(METAL STRAPS NOT SHOWN)  
SCALE: 3/4" = 1'-0"



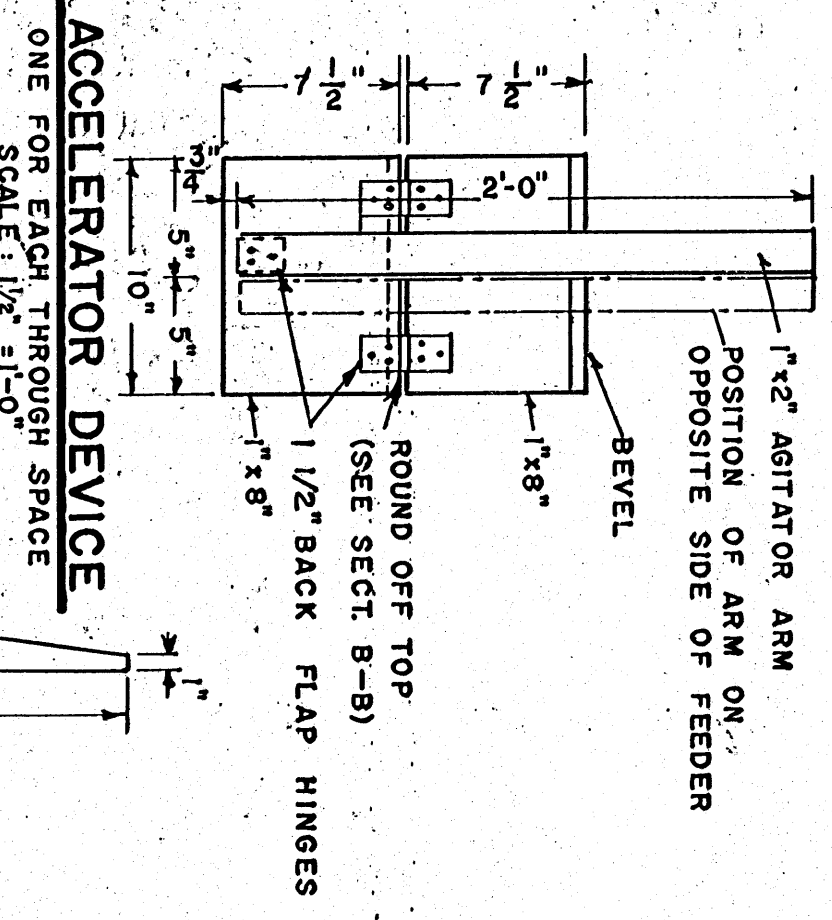
**FRONT ELEVATION**  
SCALE: 3/4" = 1'-0"



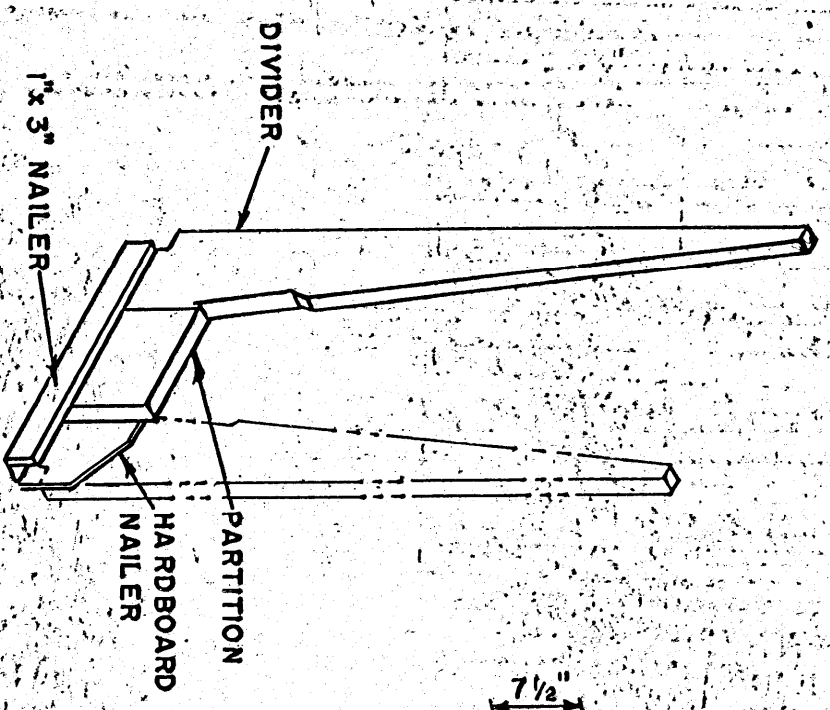
**SECTION B-B**  
SCALE: 1/2" = 1'-0"



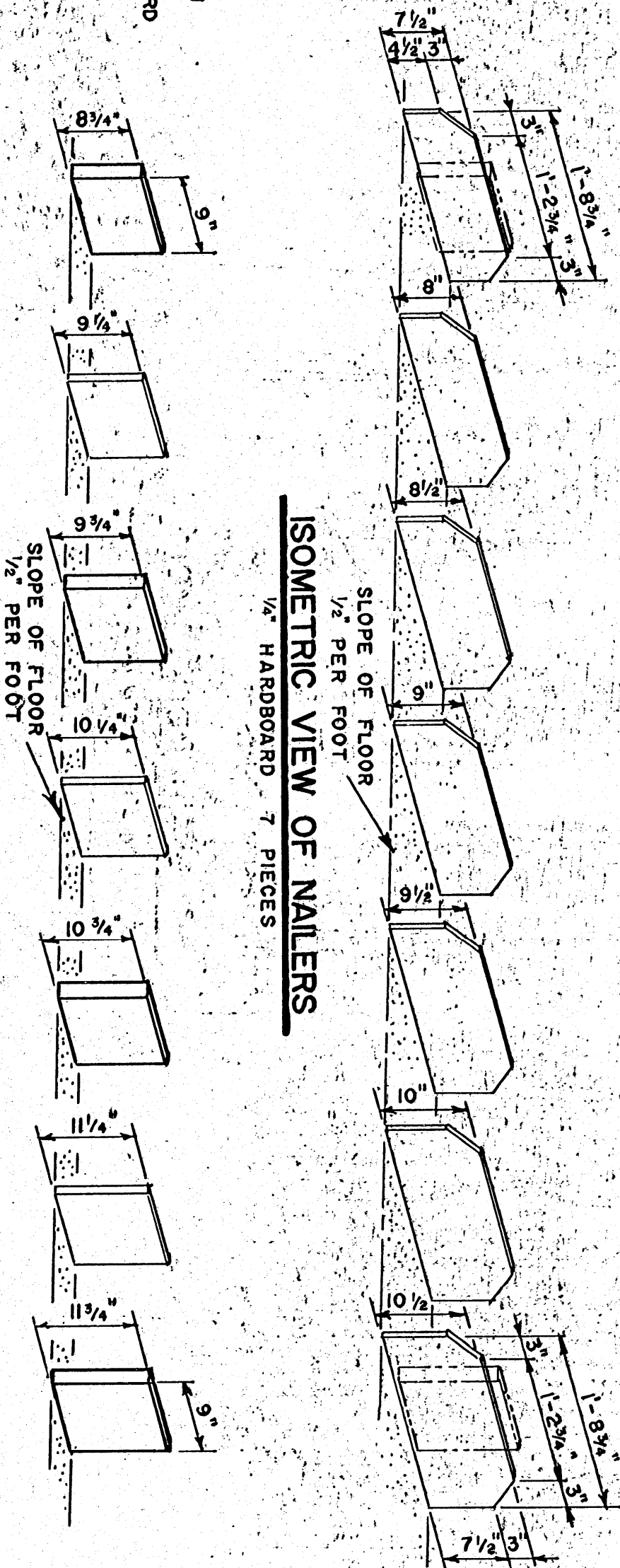
**PERSPECTIVE**



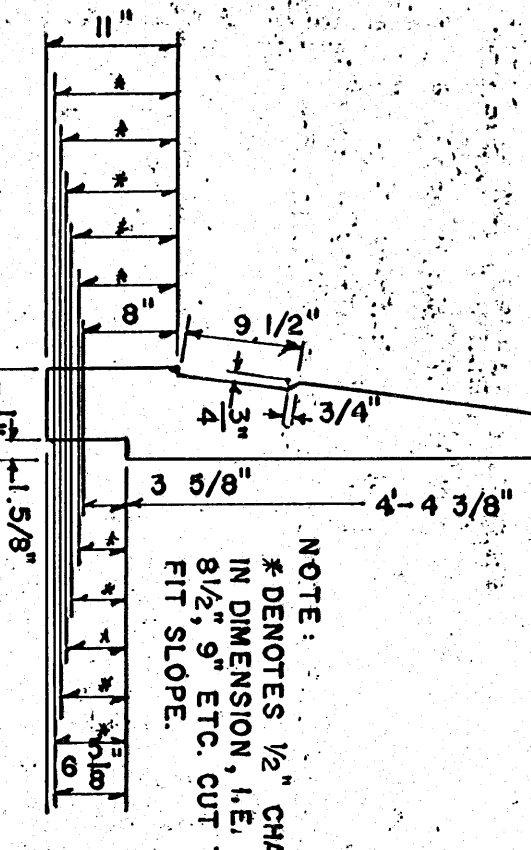
**ACCELERATOR DEVICE**  
ONE FOR EACH THROUGH SPACE  
SCALE: 1/2" = 1'-0"



**ISOMETRIC VIEW OF MALERS**  
1/2" HARDBOARD 7 PIECES



**ISOMETRIC VIEW OF PARTITIONS**  
SLOPE OF FLOOR 1/2 PER FOOT  
4 PIECES 2'x10" 3 PIECES 1'x10"



**DIVIDER & END**  
8 PIECES 2'x8" 6 PIECES 1'x8"  
SCALE: 3/4" = 1'-0"

NOTE:  
NUMBER OF PIECES AS  
NOTED ARE REQUIRED  
FOR EACH FEEDER

<b>PART SLAT FEEDING FLOOR</b>	
ZOO PIGS	
COOPERATIVE EXTENSION SERVICE	
STATE OF MISSISSIPPI	
MISSISSIPPI STATE UNIVERSITY	
AND	
UNITED STATES DEPARTMENT OF AGRICULTURE COOPERATING	
DRAWN BY: R.F.W.	CHECKED BY: L.M.
DATE: MAY-71	DWG. NO 5986-B SHEET 2 OF 2