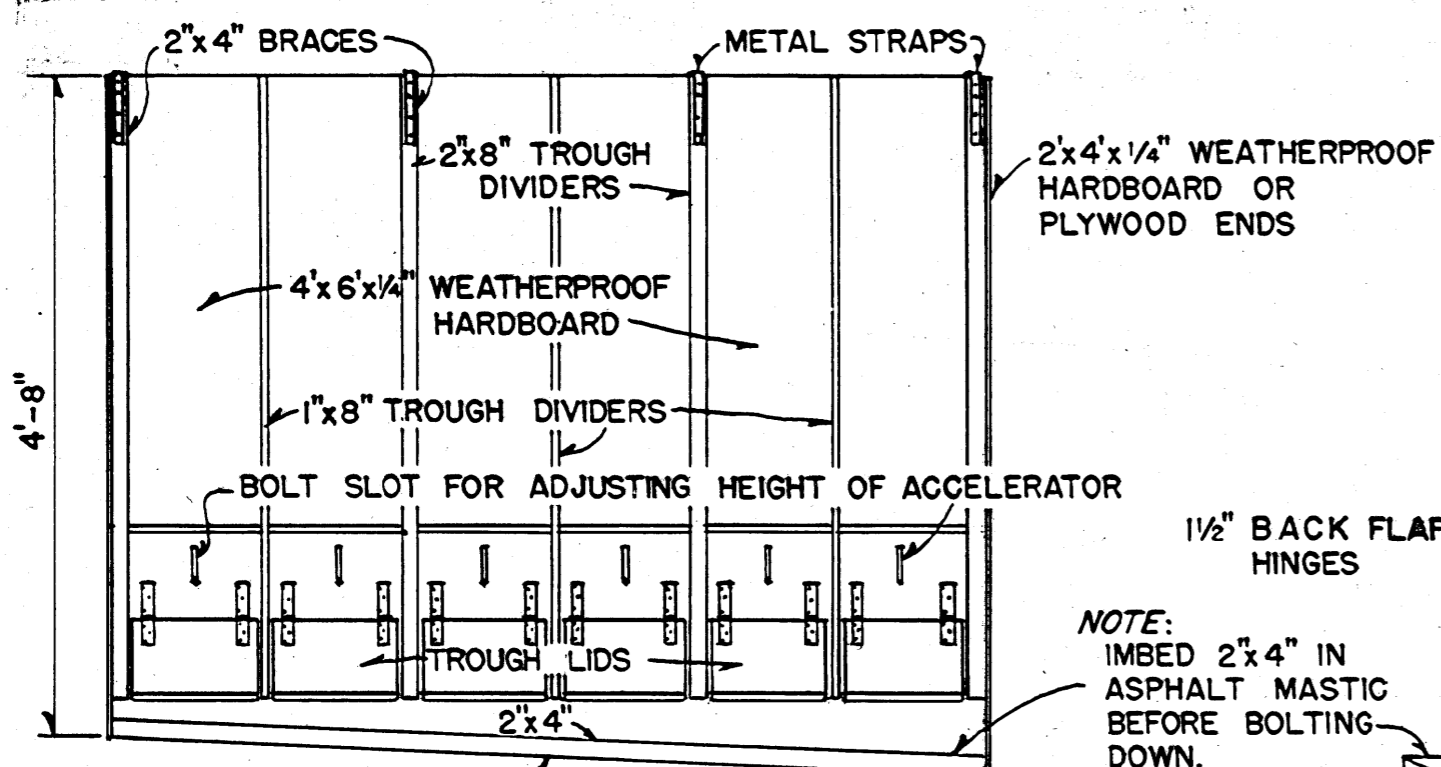
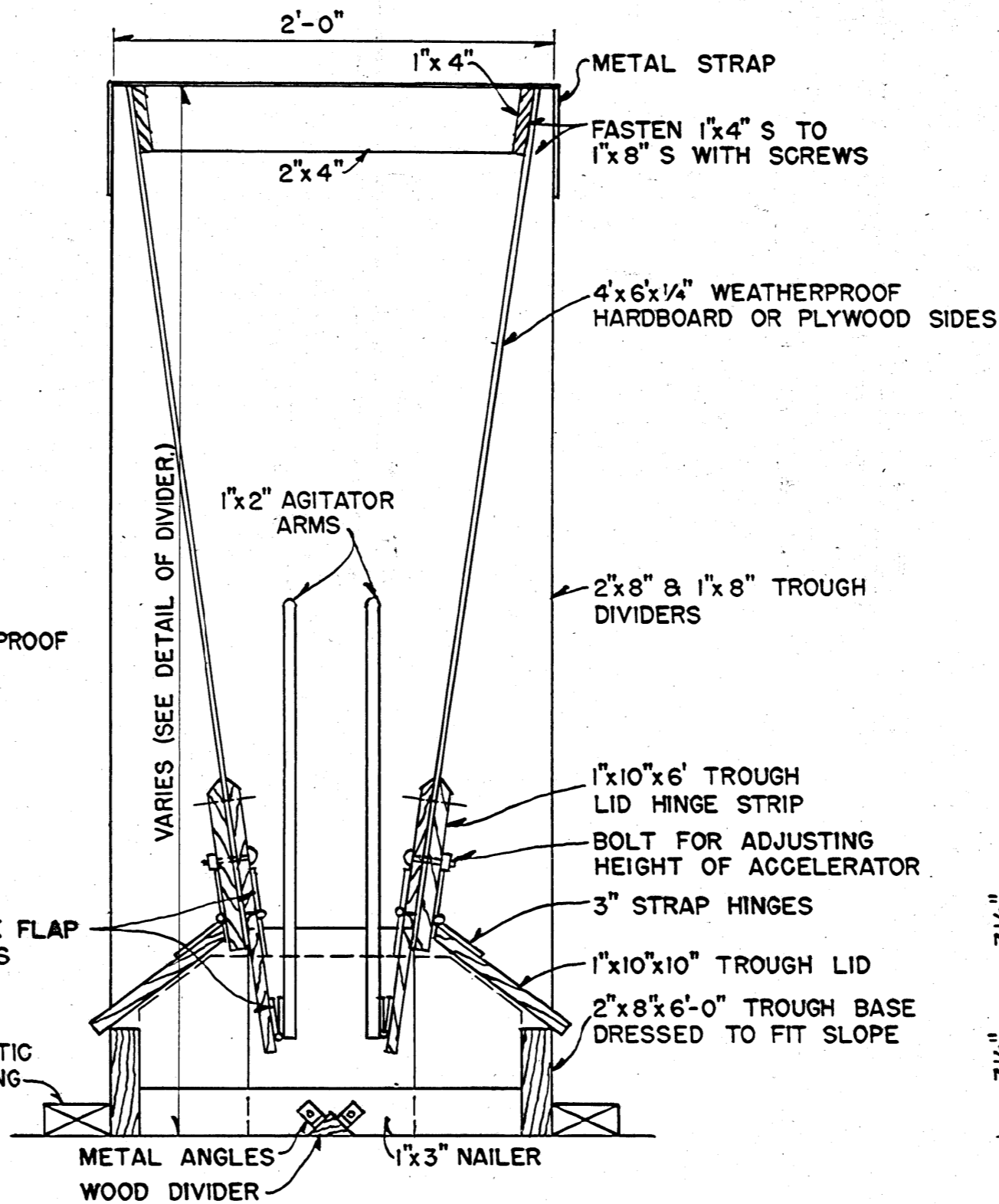


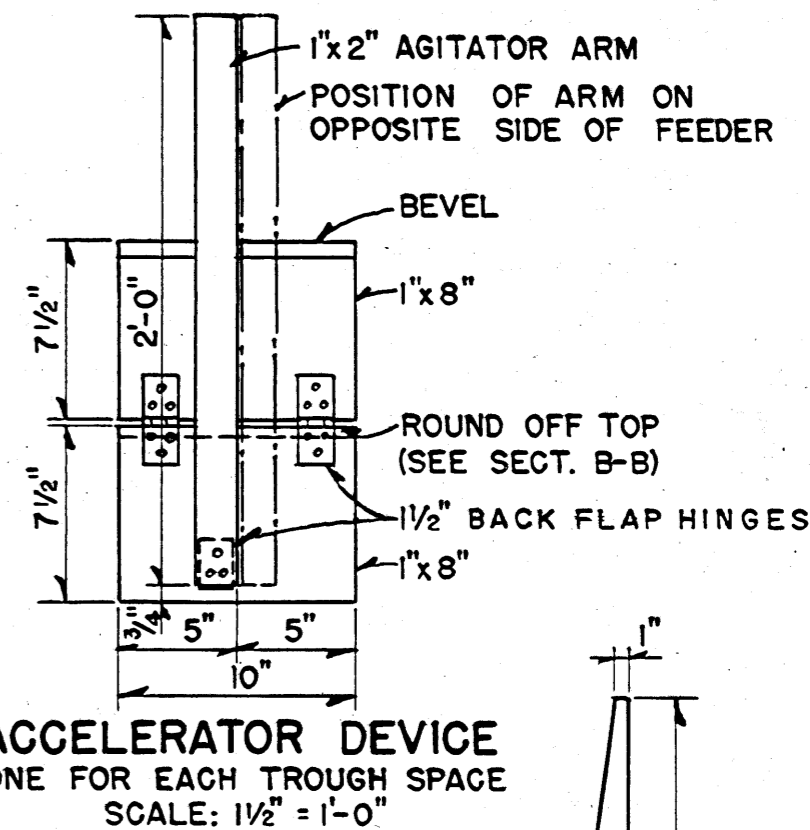
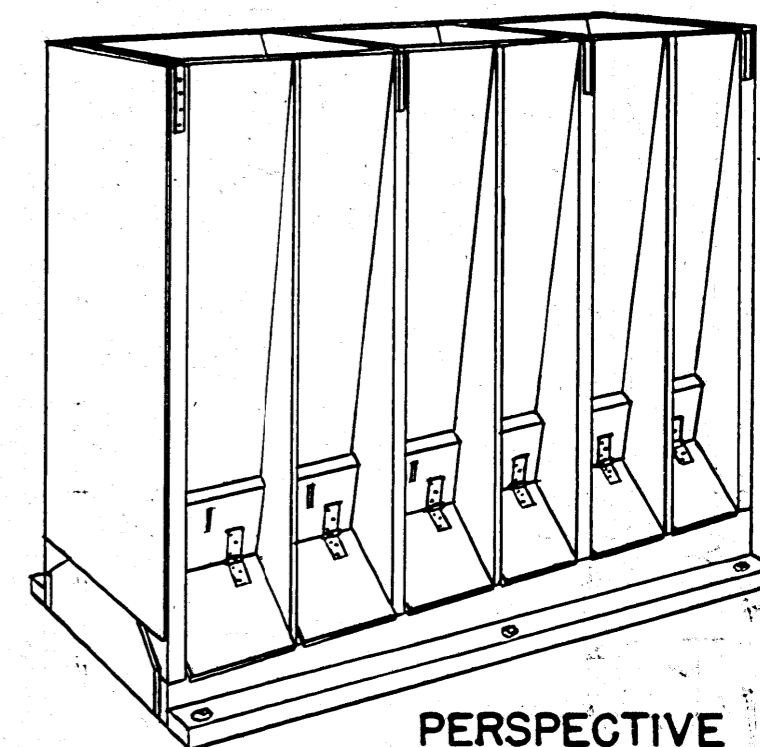
PLAN OF FEEDER
 (METAL STRAPS NOT SHOWN)
 SCALE: 3/4" = 1'-0"



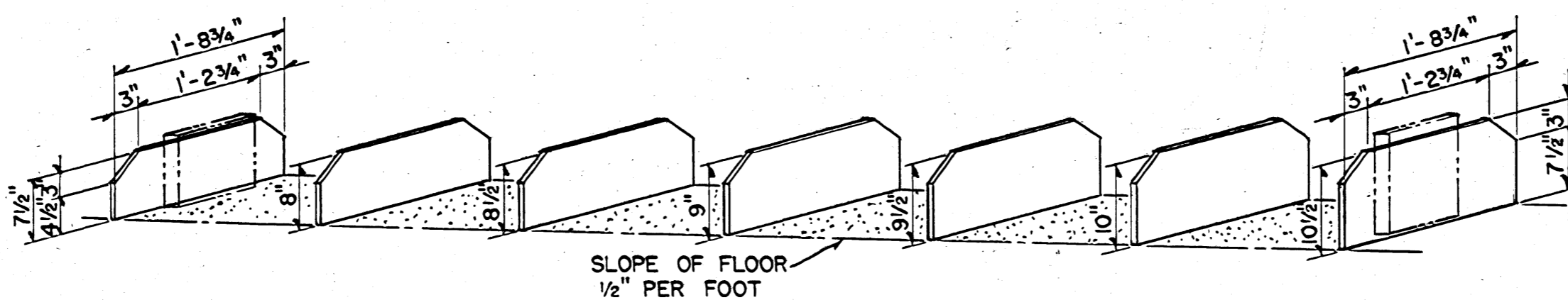
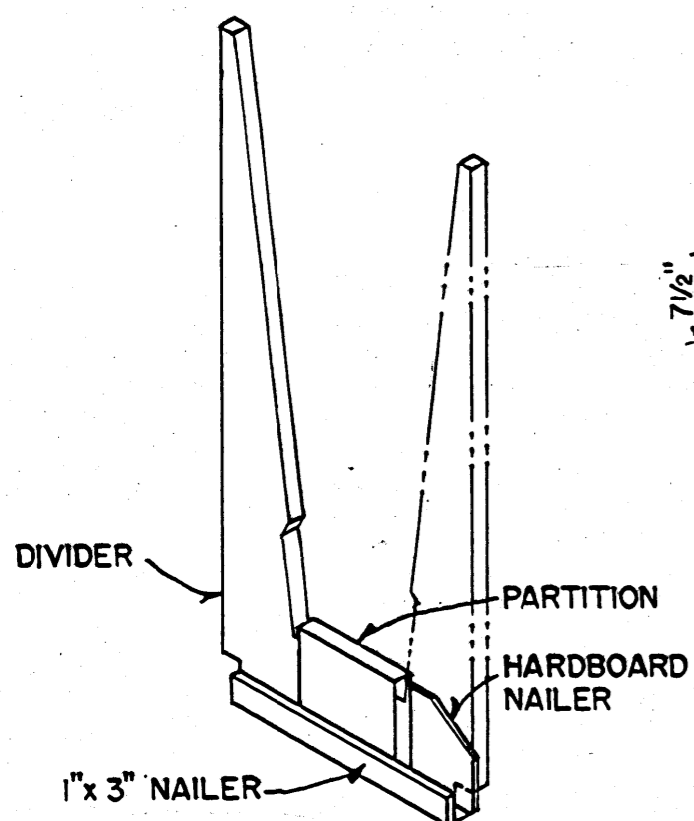
FRONT ELEVATION
 SCALE: 3/4" = 1'-0"



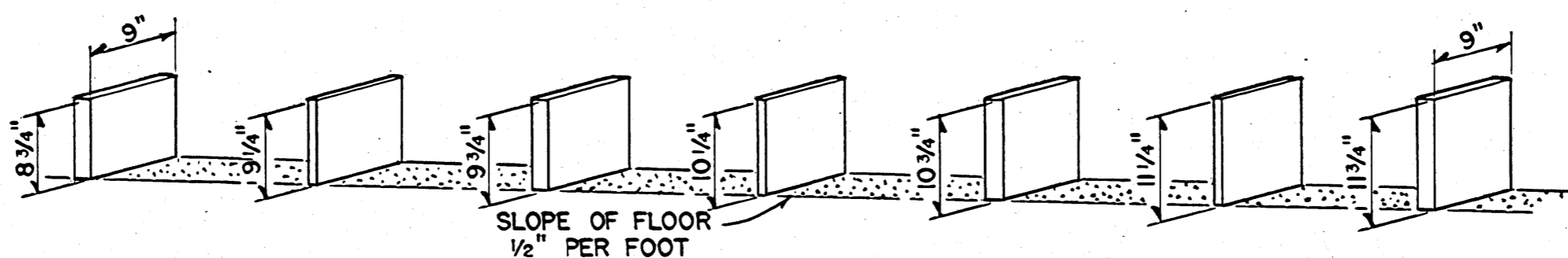
SECTION B-B
 SCALE: 1/2" = 1'-0"



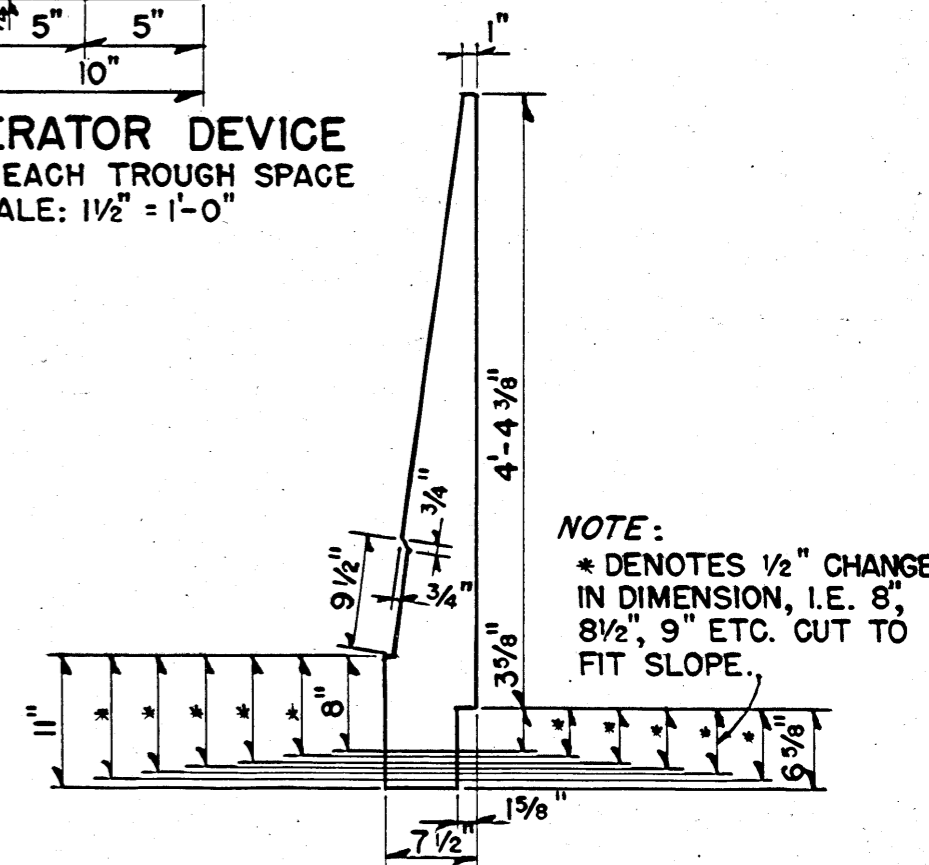
ACCELERATOR DEVICE
 ONE FOR EACH TROUGH SPACE
 SCALE: 1/2" = 1'-0"



ISOMETRIC VIEW OF NAILERS
 1/4" HARDBOARD 7 PIECES



ISOMETRIC VIEW OF PARTITIONS
 4 PIECES 2'x10" 3 PIECES 1'x10"



DIVIDER & END
 8 PIECES 2'x8" 6 PIECES 1'x8"
 SCALE: 3/4" = 1'-0"

DESIGNED FOR SLOPING FLOOR.
 CAPACITY: 30 BU. SMALL GRAIN.

NOTE:
 NUMBER OF PIECES AS NOTED ARE REQUIRED FOR EACH FEEDER.

COOPERATIVE EXTENSION WORK IN
 AGRICULTURE AND HOME ECONOMICS
 STATE OF MISSISSIPPI
 MISSISSIPPI STATE UNIVERSITY
 UNITED STATES DEPARTMENT OF AGRICULTURE COOPERATING

SWINE FEEDER