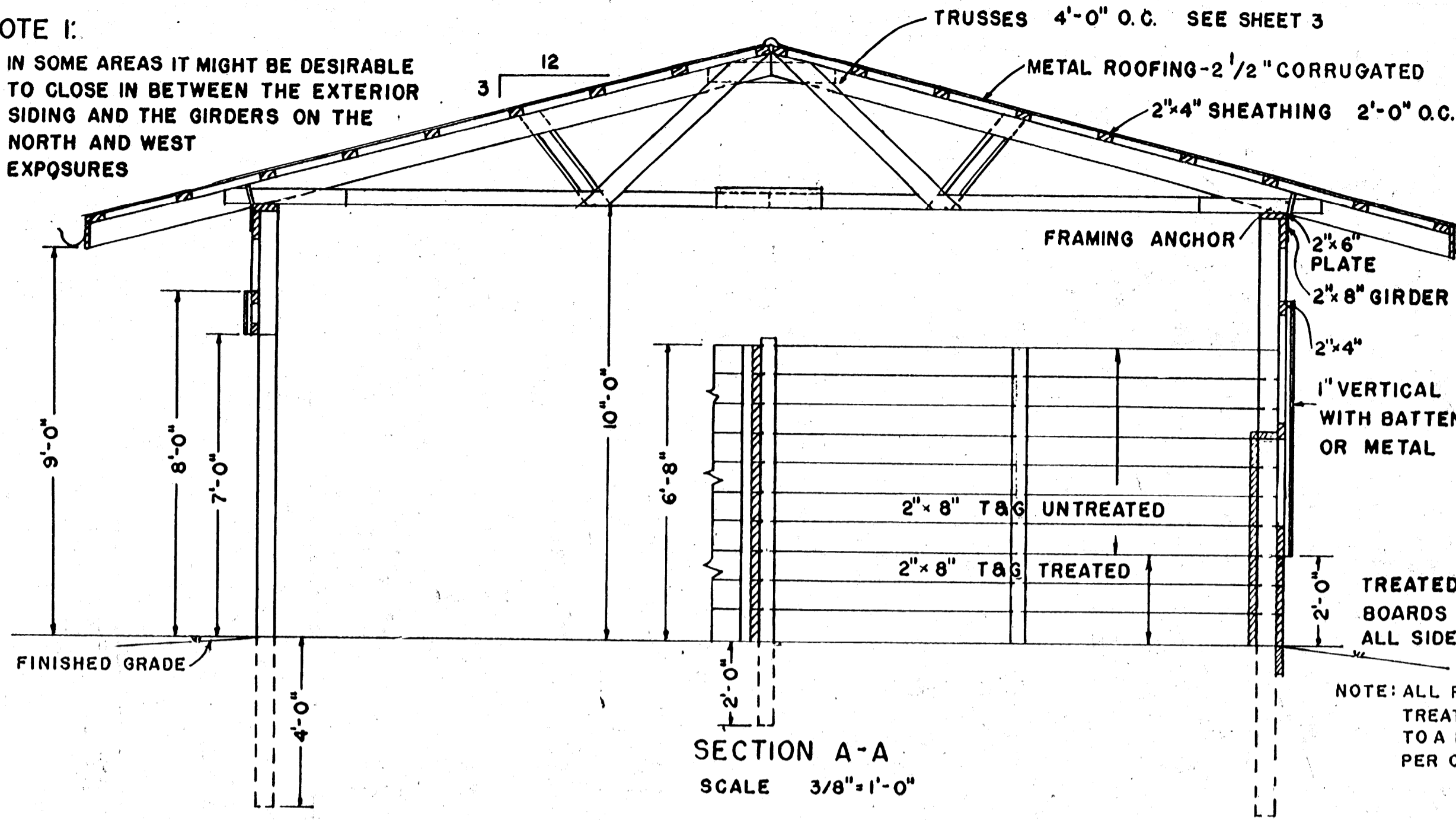
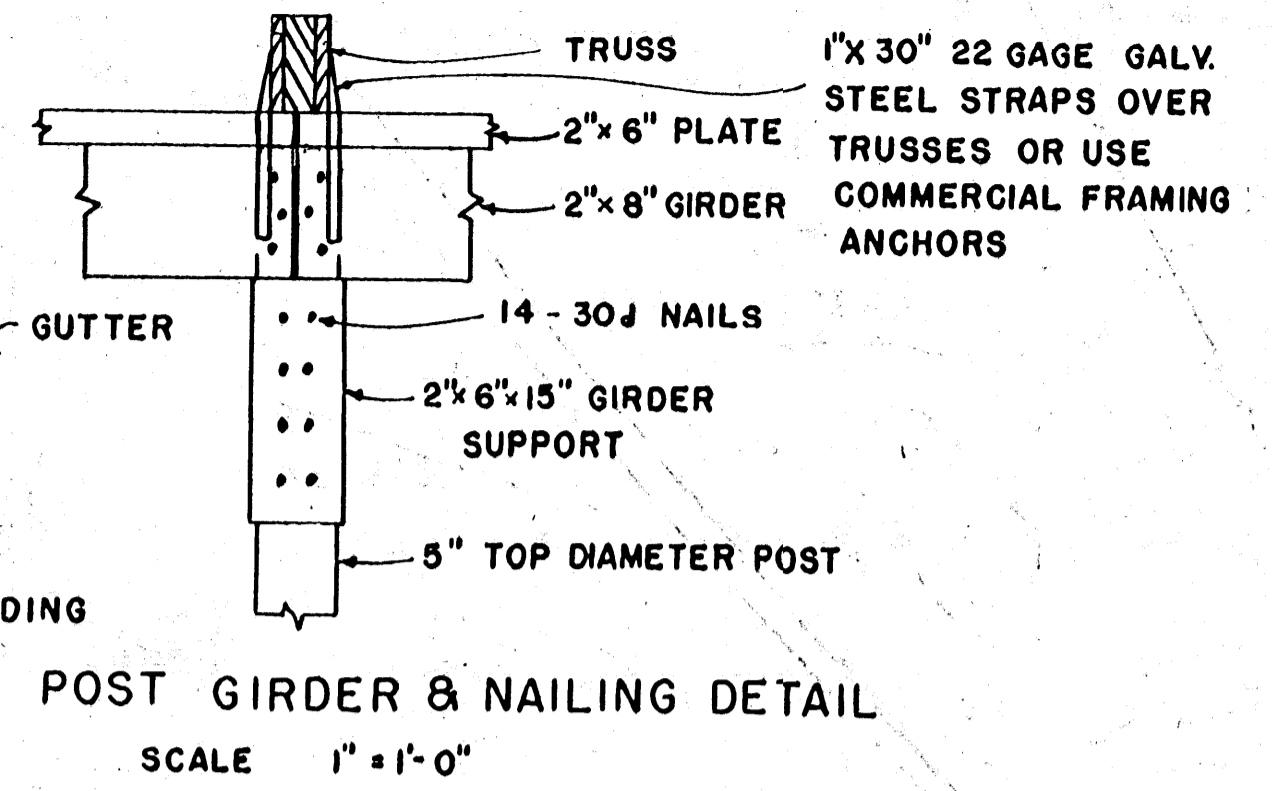


NOTE 1:

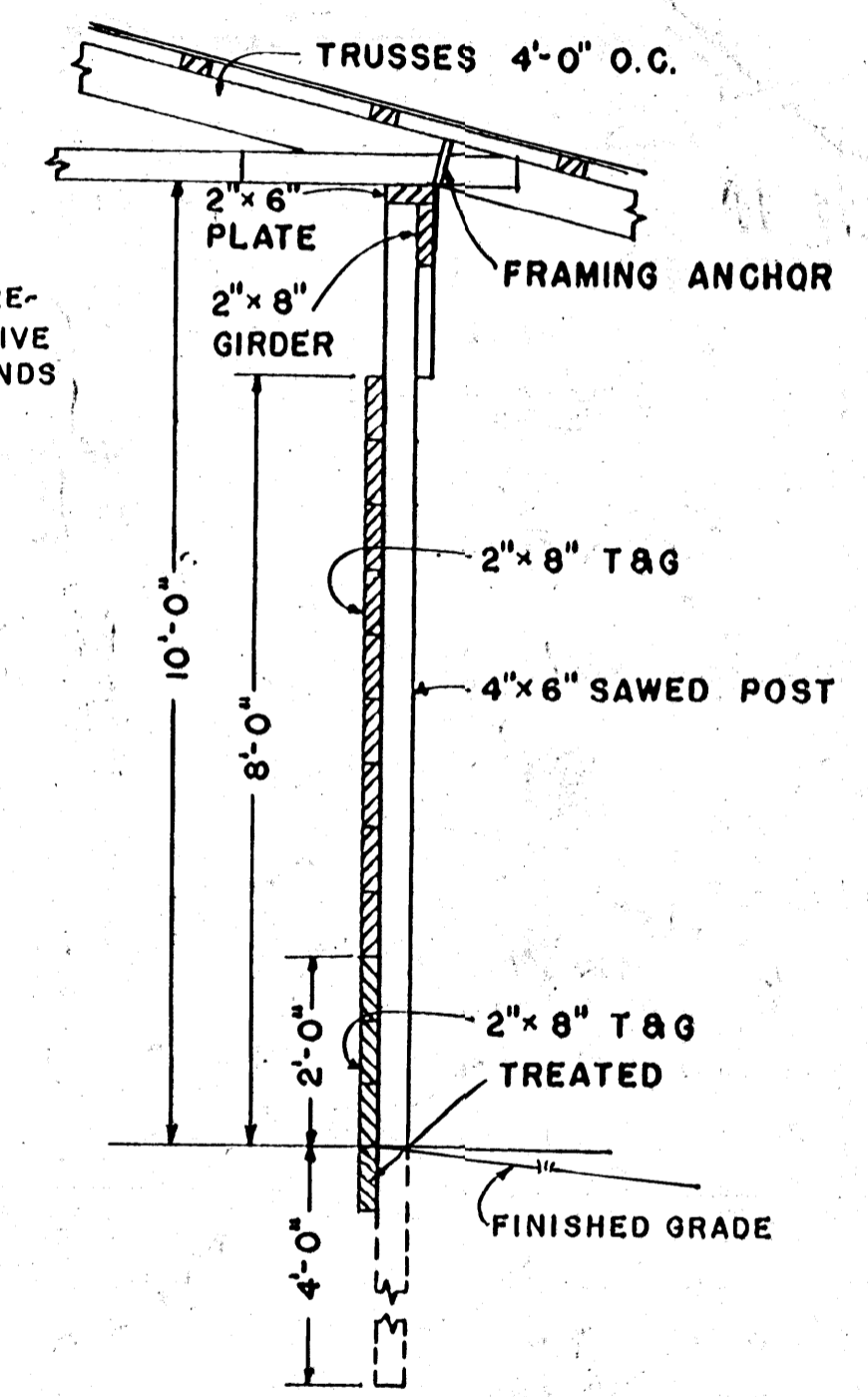
IN SOME AREAS IT MIGHT BE DESIRABLE TO CLOSE IN BETWEEN THE EXTERIOR SIDING AND THE GIRDERS ON THE NORTH AND WEST EXPOSURES



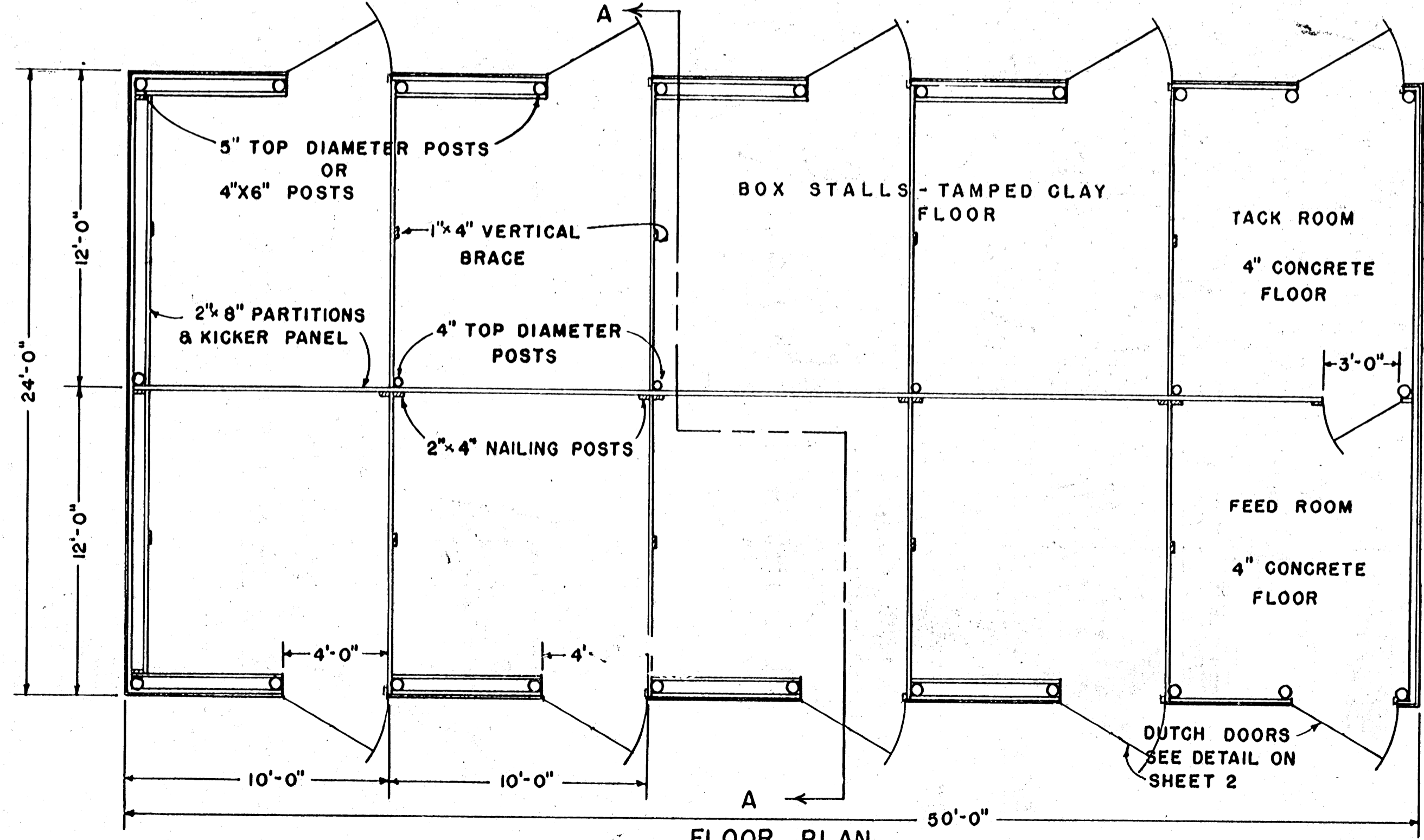
SECTION A-A
SCALE 3/8" = 1'-0"



POST GIRDER & NAILING DETAIL
SCALE 1" = 1'-0"



ALTERNATE WALL SECTION
SCALE 1/2" = 1'-0"

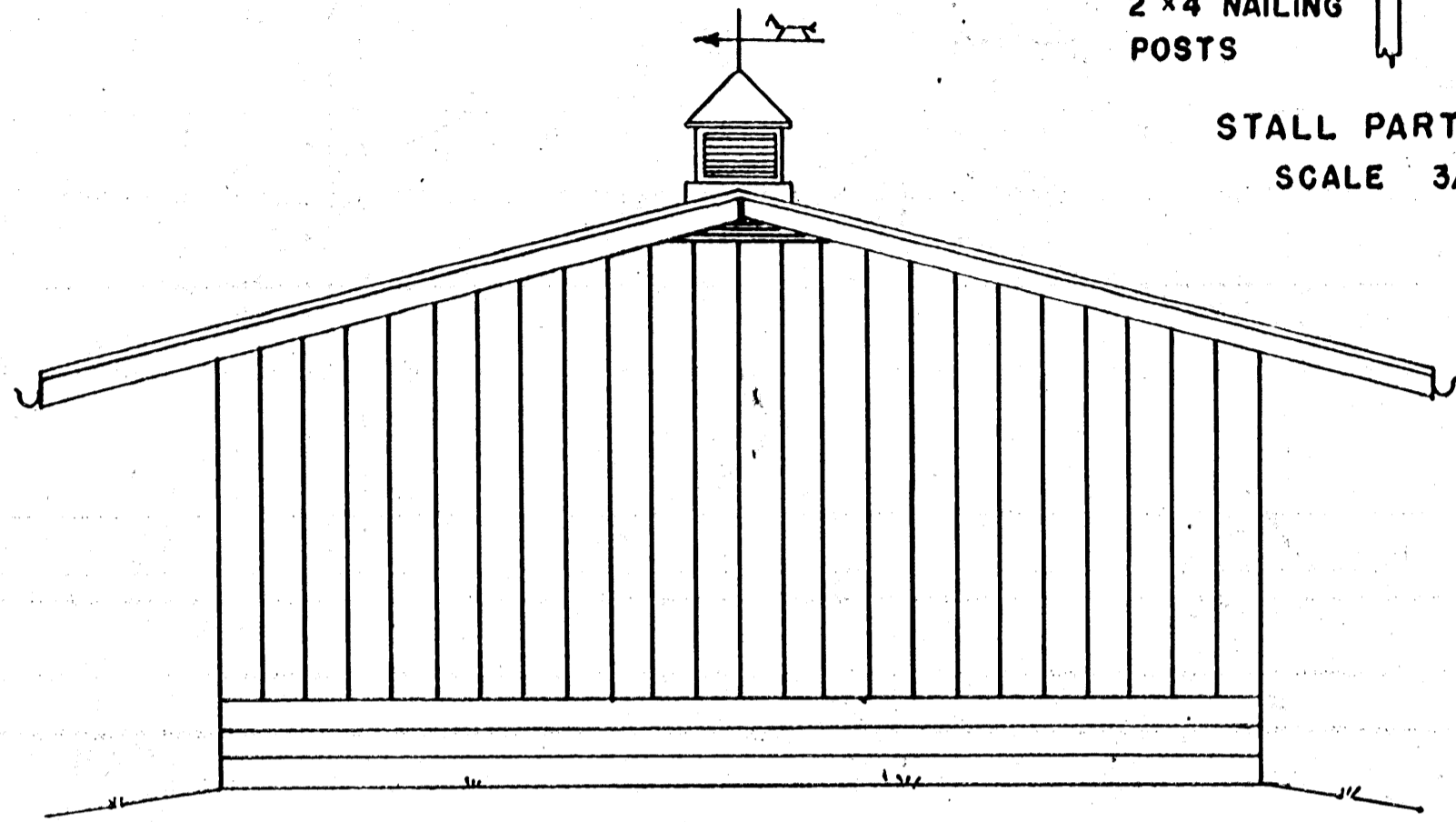


FLOOR PLAN
SCALE 1/4" = 1'-0"

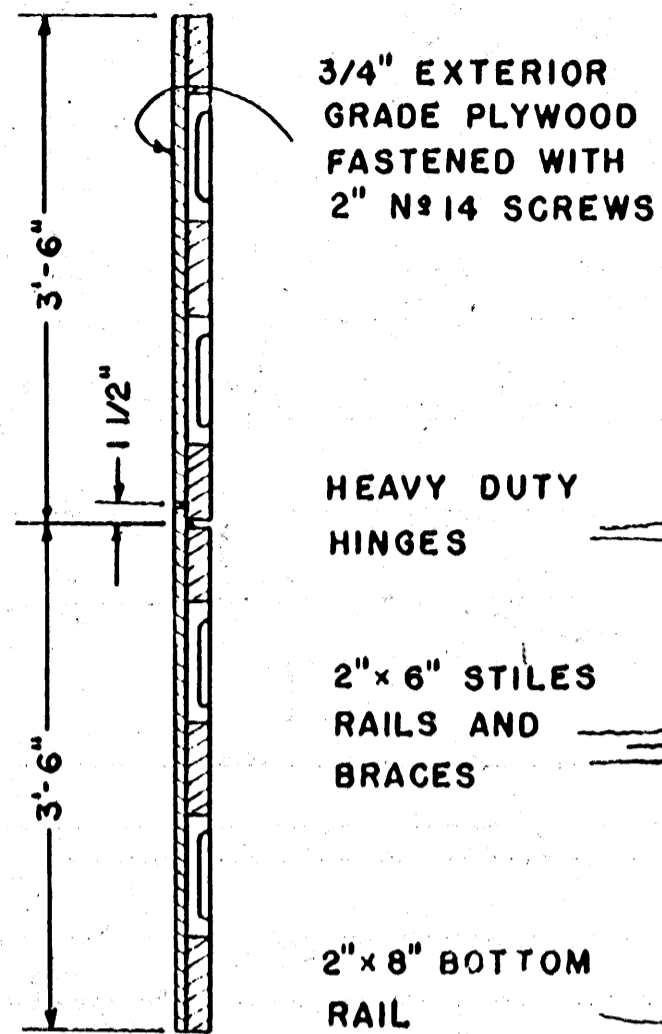
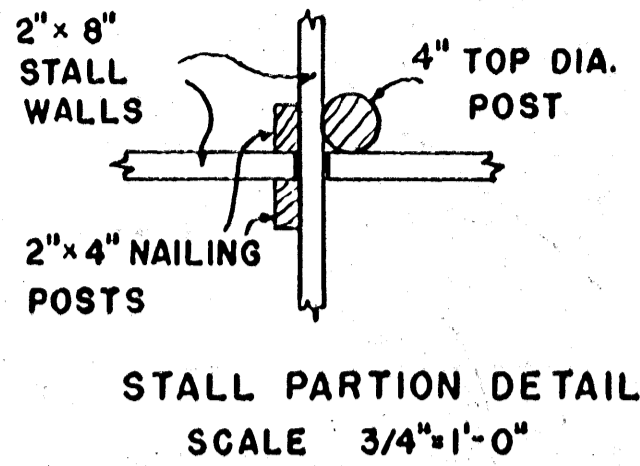
COOPERATIVE EXTENSION WORK IN
AGRICULTURE AND HOME ECONOMICS
STATE OF MISSISSIPPI
MISSISSIPPI STATE UNIVERSITY
AND
UNITED STATES DEPARTMENT OF AGRICULTURE COOPERATING

HORSE BARN-8 STALL

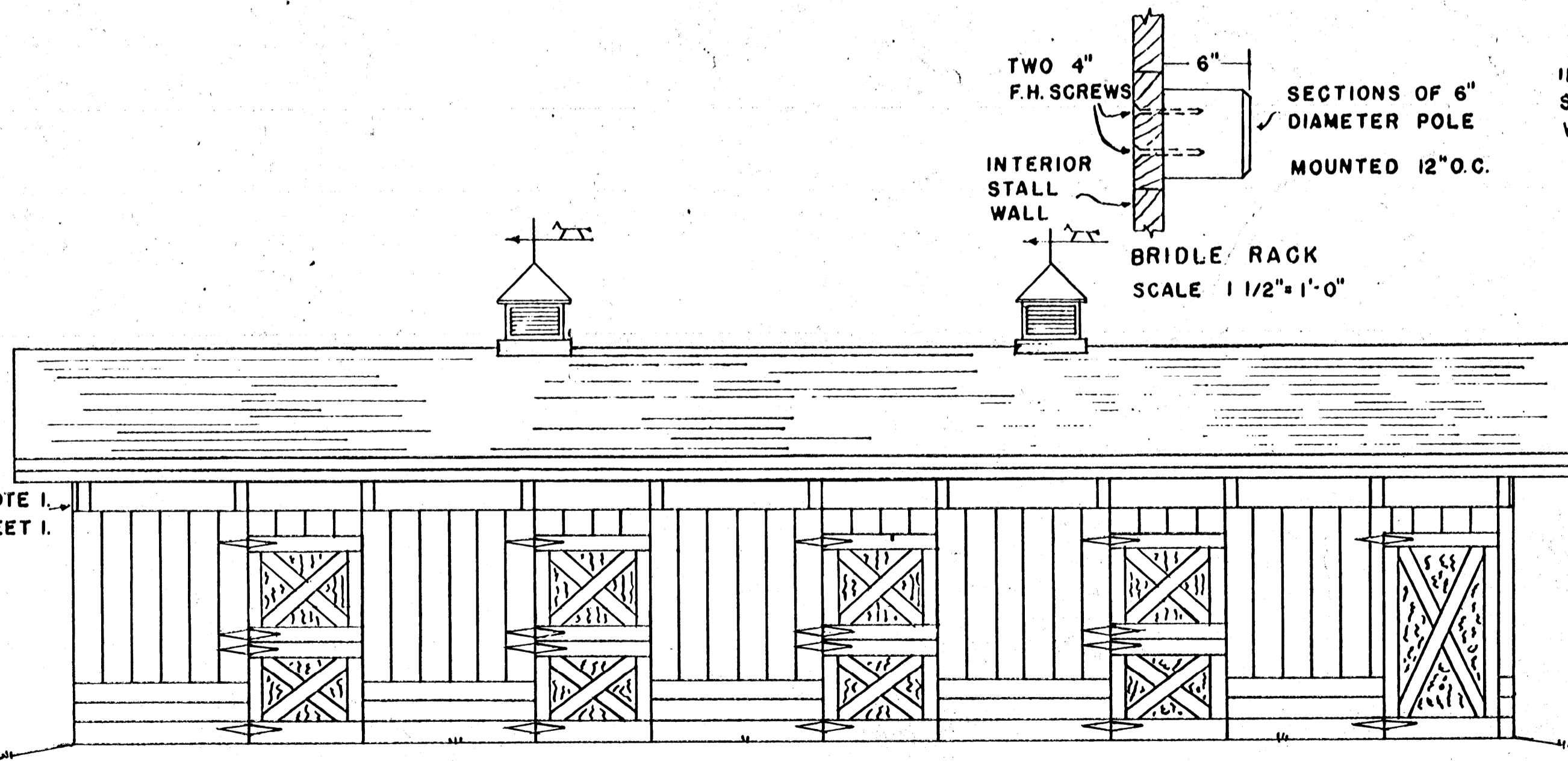
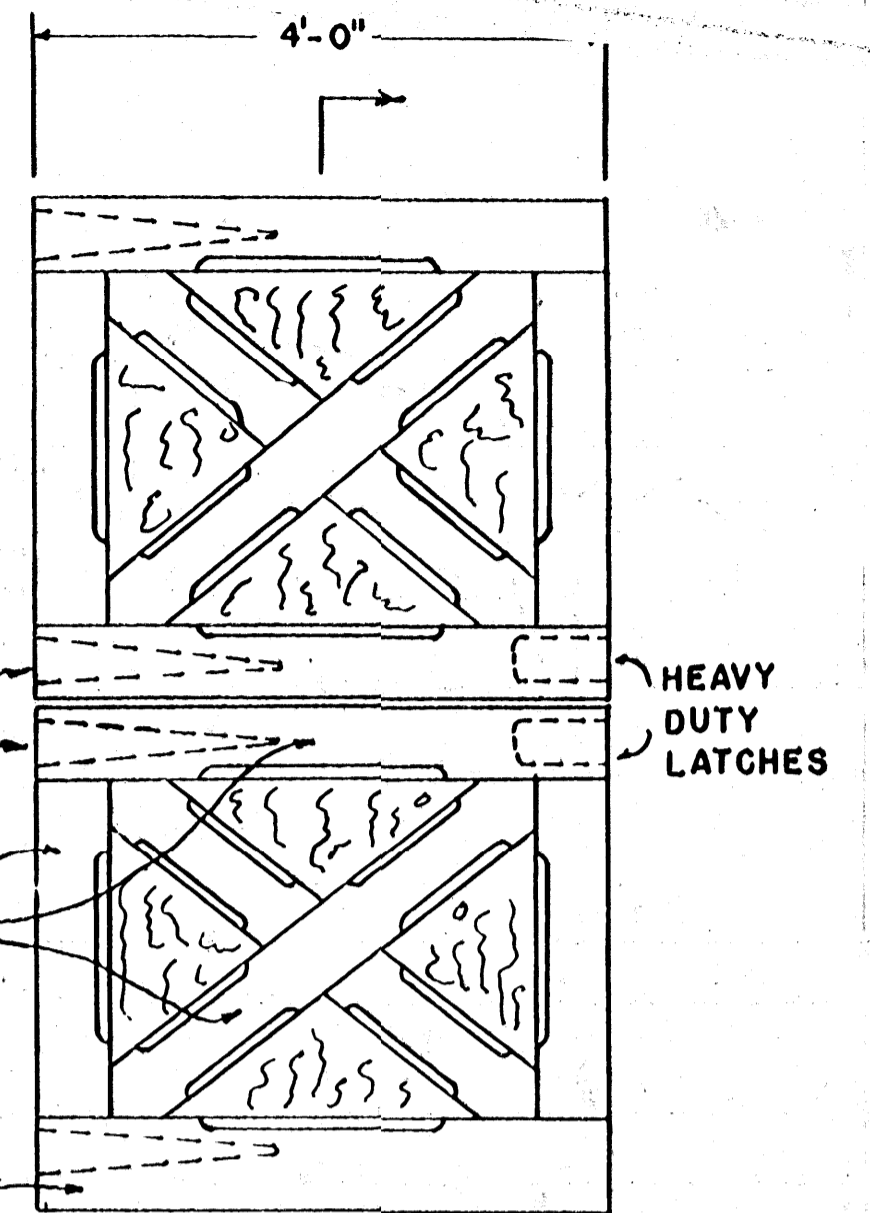
VA. '67 EX. 6010 SHEET 1 OF 3



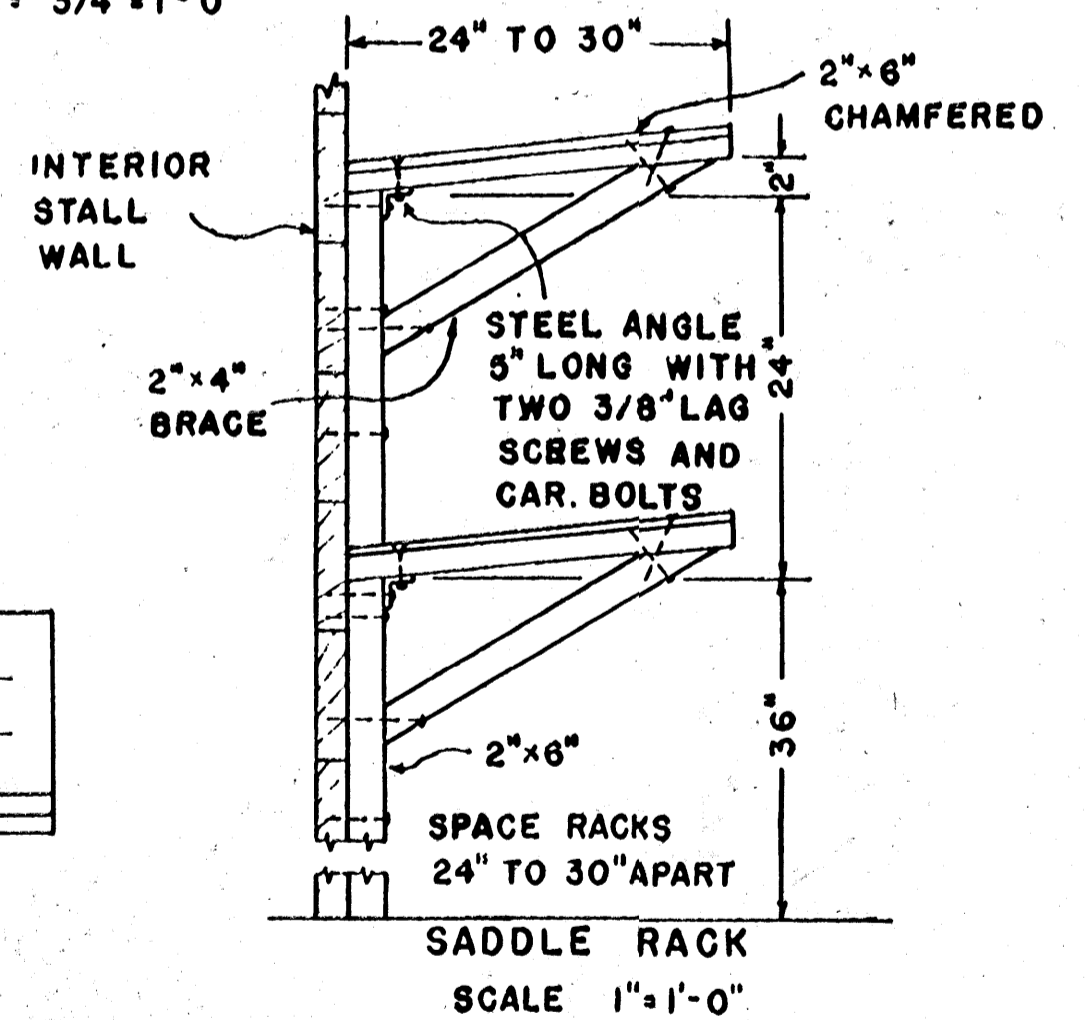
END ELEVATION
SCALE 1/4"=1'-0"



STALL DOOR DETAILS
SCALE = 3/4"=1'-0"



SIDE ELEVATION
SCALE 1/4"=1'-0"

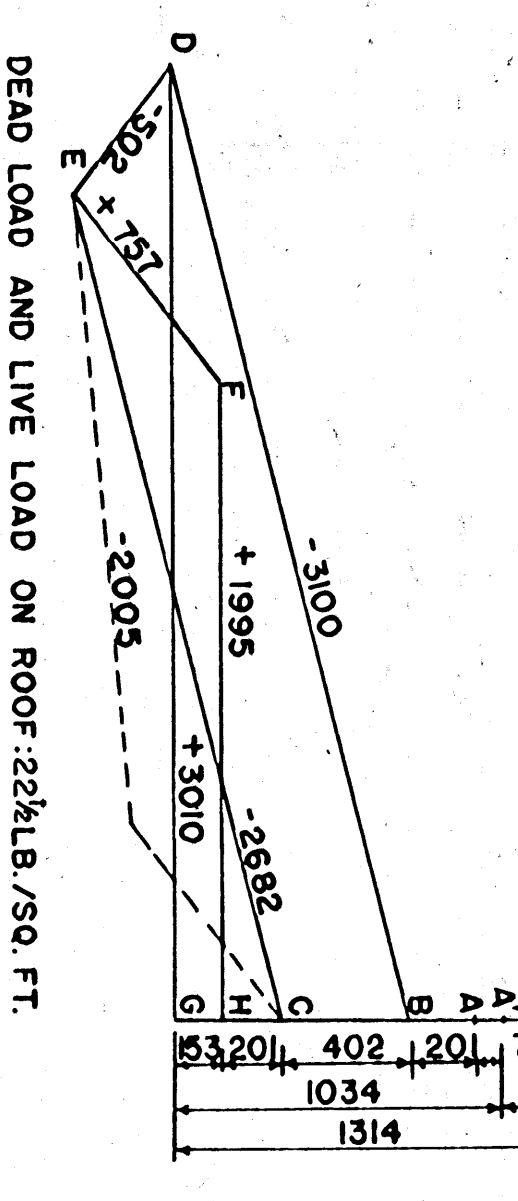
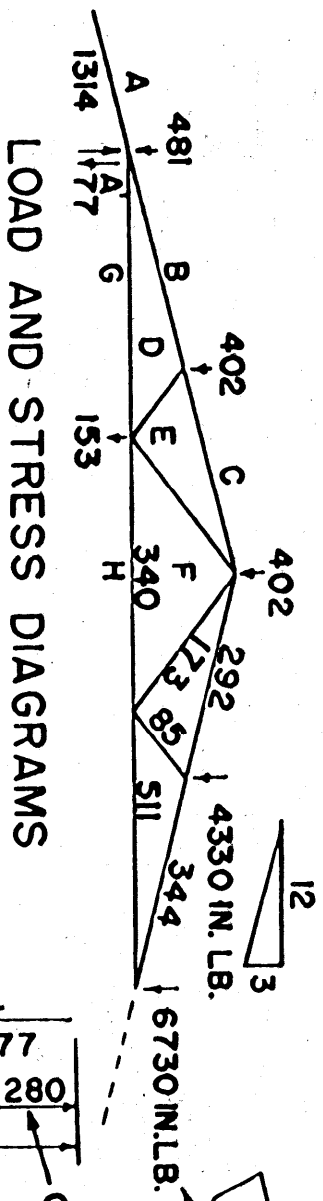
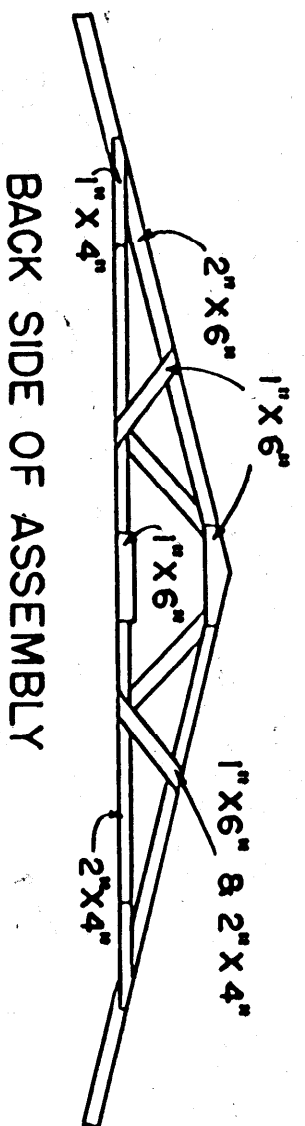


COOPERATIVE EXTENSION WORK IN
AGRICULTURE AND HOME ECONOMICS
STATE OF MISSISSIPPI
MISSISSIPPI STATE UNIVERSITY
AND
UNITED STATES DEPARTMENT OF AGRICULTURE COOPERATING

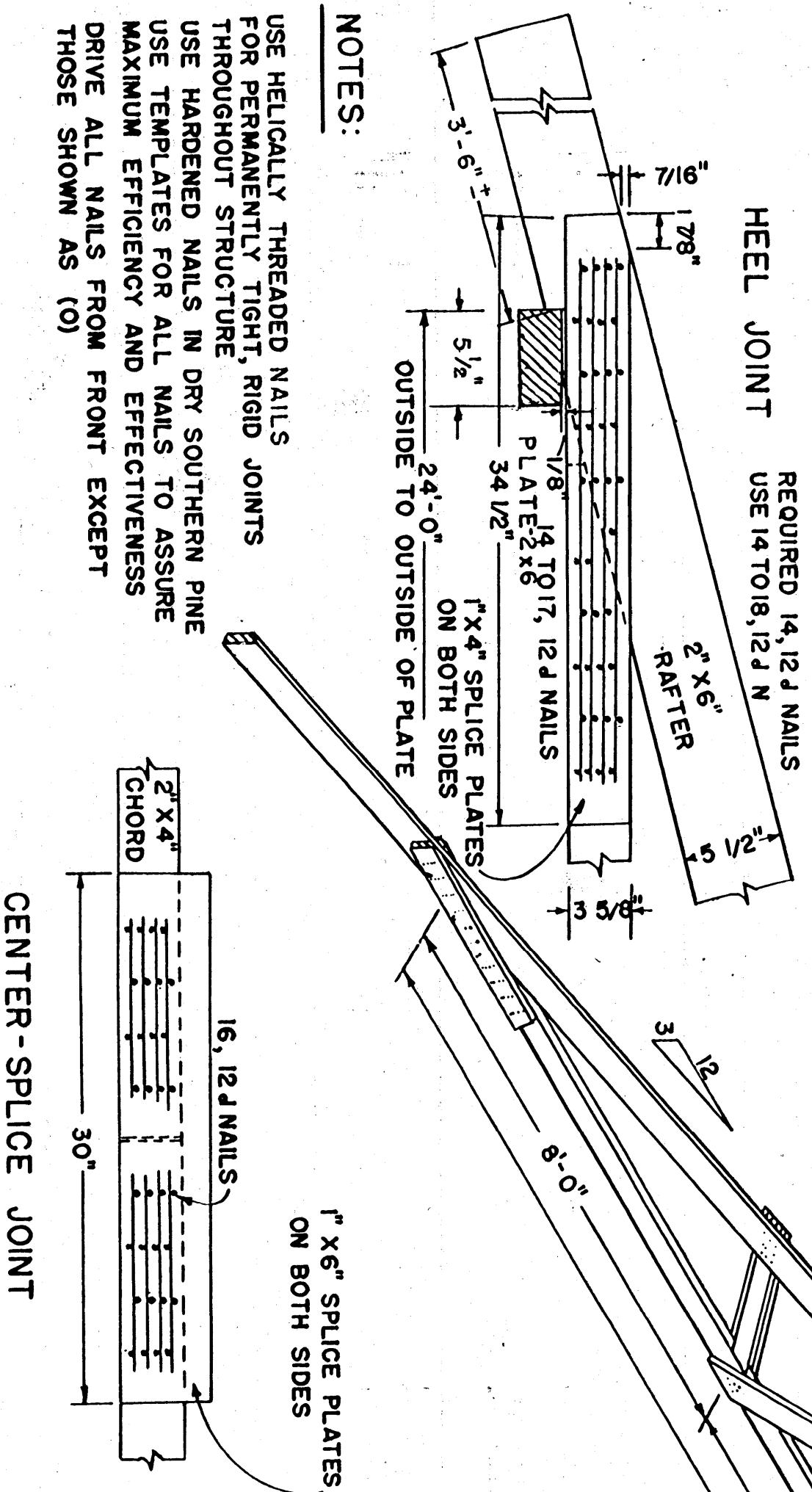
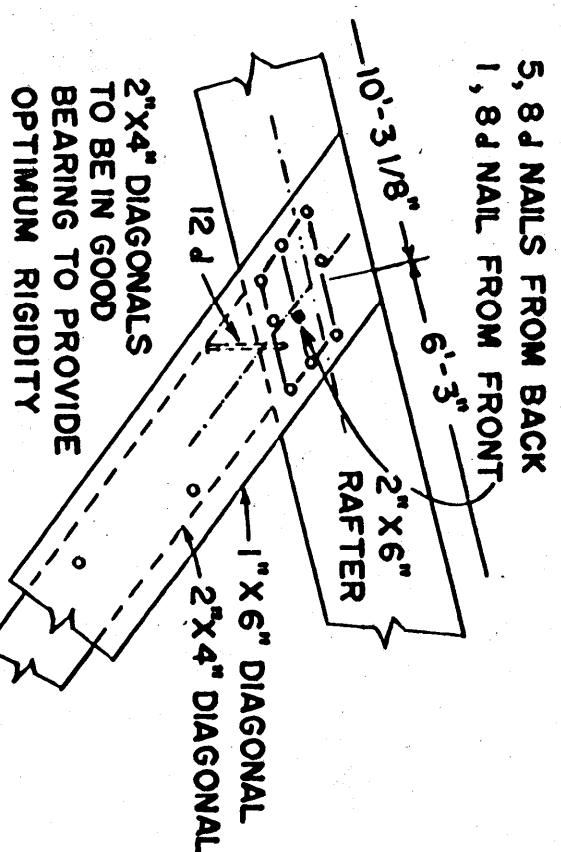
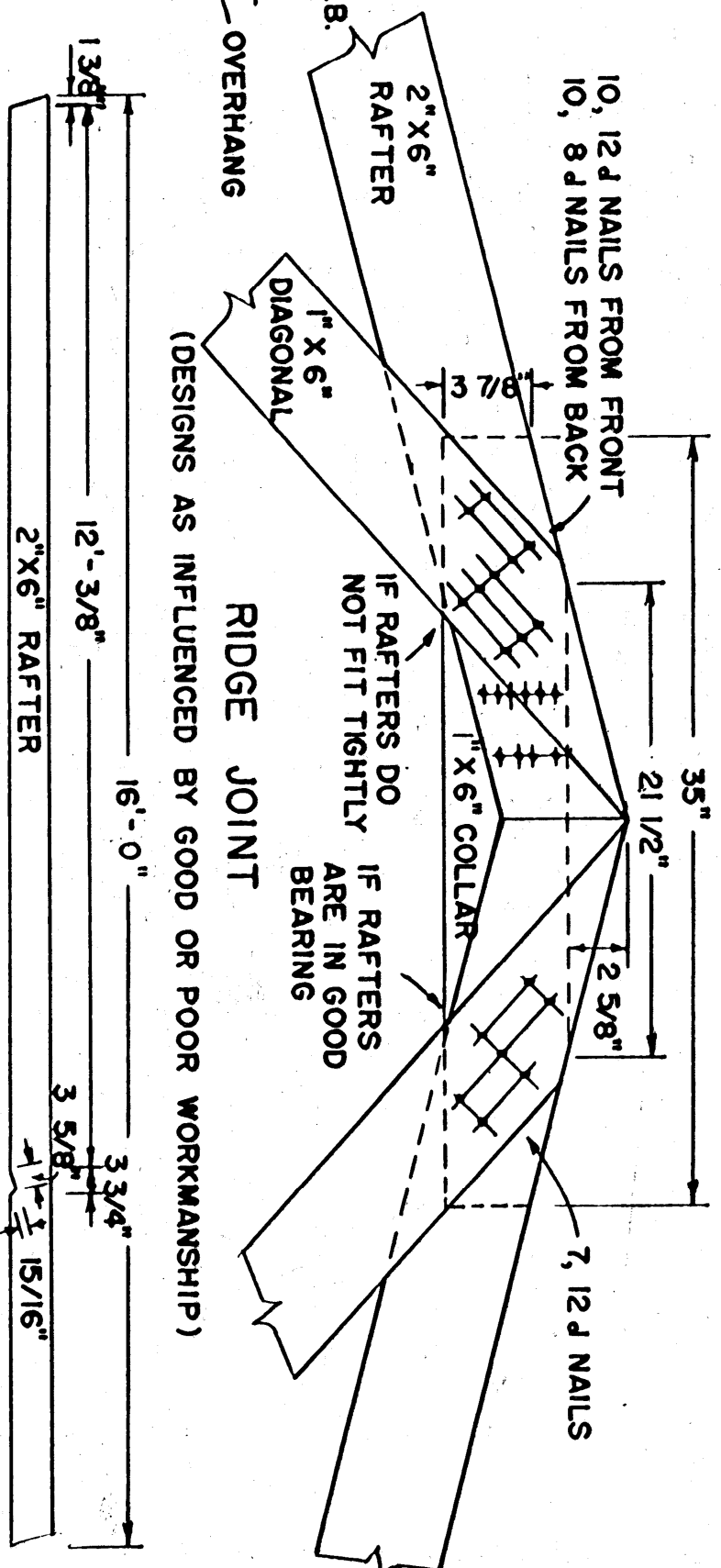
HORSE BARN-8 STALL

VA. '67 | EX. 6010 | SHEET 2 OF 3

24-FT SPAN, 3 IN 12 PITCH, NAILED TRUSSED RAFTER WITH 3/2 FT OVERHANG



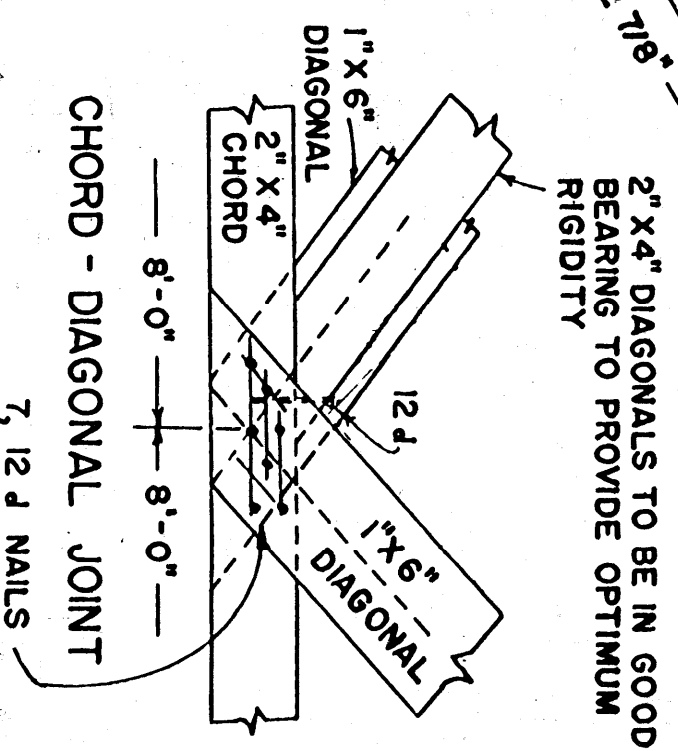
TRUSSED RAFTERS SPACED 4'-0" ON CENTER
 LUMBER: N#1 SOUTHERN PINE OR DOUGLAS FIR
 C = 1200 P.S.I. COMPRESSION PARALLEL TO GRAIN
 F = 1450 P.S.I. MODULUS OF RUPTURE
 E = 1,600,000 P.S.I. MODULUS OF ELASTICITY
 CAMBER: 3/4" AT CENTER SPLICE



FRONT VIEW
 OF ASSEMBLY

BILL OF MATERIALS

- RAFTERS 2 PCS. 2" X 6" X 18'
- CHORDS 2 PCS. 2" X 4" X 12'
- DIAGONALS 2 PCS. 1" X 6" X 10'
- 1 PCS. 2" X 4" X 6'
- SPLICES 4 PCS. 1" X 4" X 3'
- 3 PCS. 1" X 6" X 3'
- BRIGHT HARDENED NAILS
 140 PCS. - 12 D 3 1/4" X 148"
 3 1/4" X 135"
 3 1/4" X 120"
 38 PCS. - 8 D 2 1/2" X 135"
 2 1/2" X 120"



NOTES:
 USE HELICALLY THREADED NAILS FOR PERMANENTLY TIGHT, RIGID JOINTS THROUGHOUT STRUCTURE
 USE HARDENED NAILS IN DRY SOUTHERN PINE
 USE TEMPLATES FOR ALL NAILS TO ASSURE MAXIMUM EFFICIENCY AND EFFECTIVENESS
 DRIVE ALL NAILS FROM FRONT EXCEPT THOSE SHOWN AS (O)