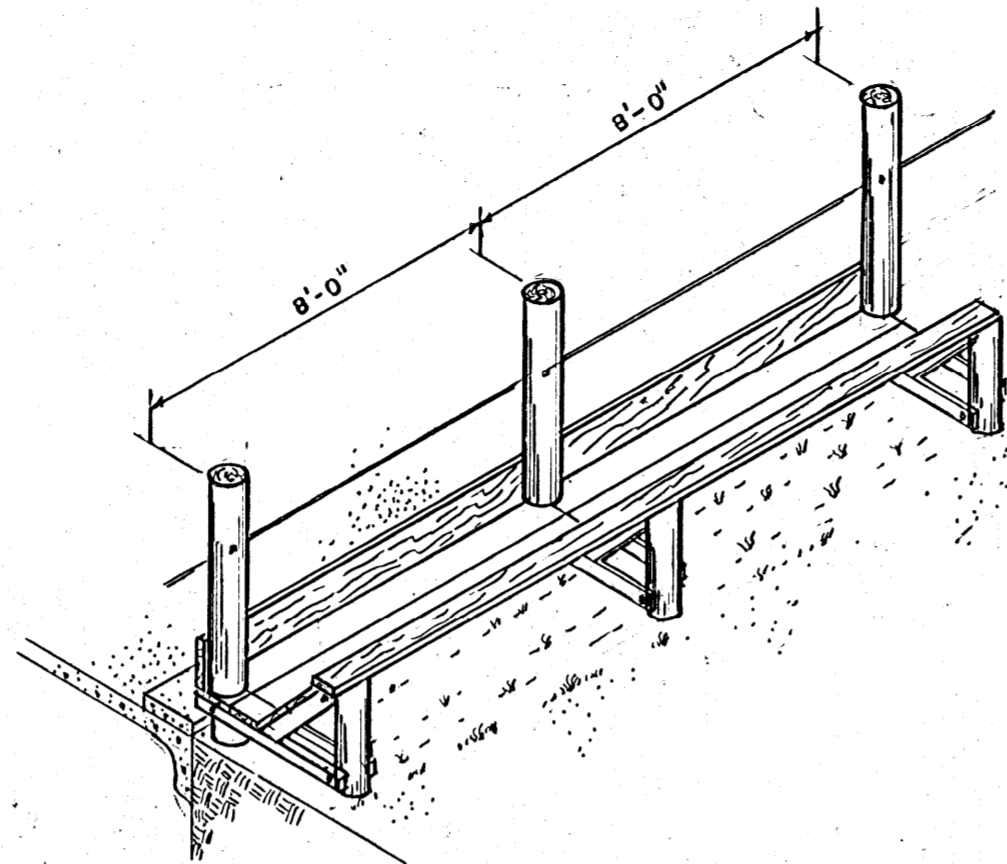


**CUTTING LIST
PER 14'-0" LENGTH**

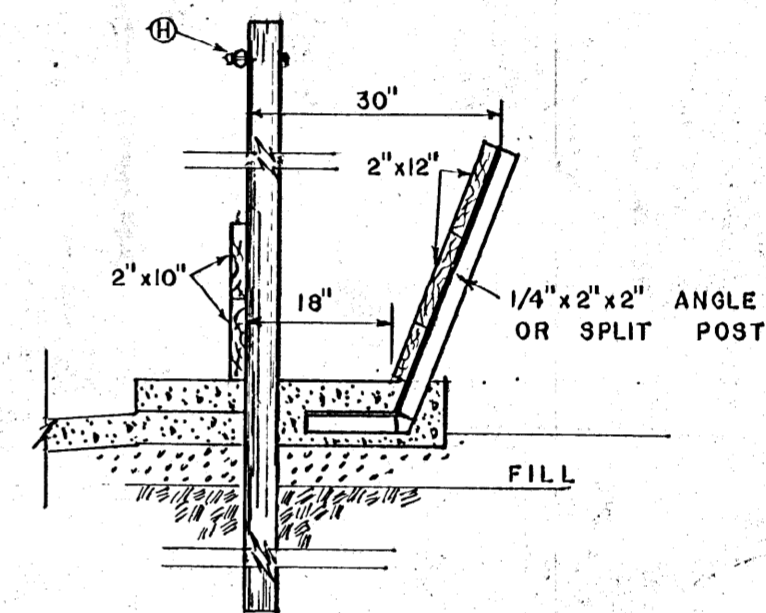
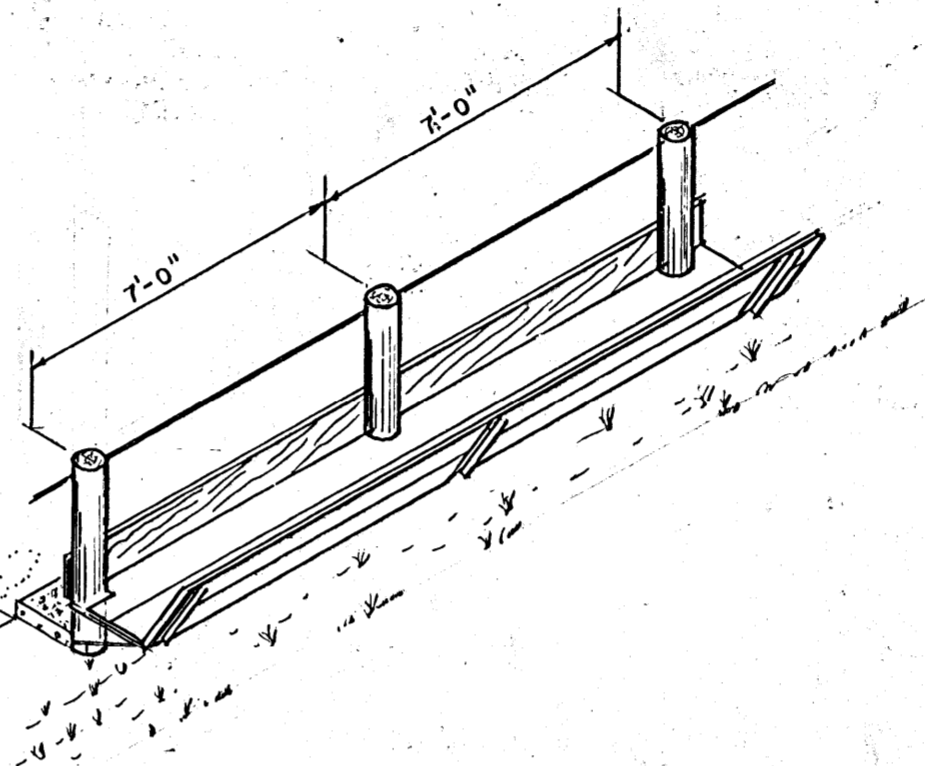
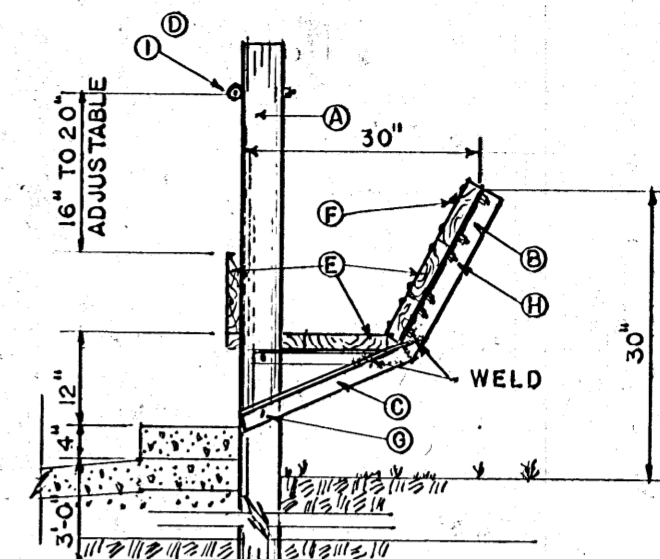
ITEM	NO.	DESCRIPTION
A	3	5" TOP x 7'-0" POLE
B	1	3/8" CABLE
C	3	4" TOP x 5'-0" POLE
D	1	2" x 8" x 16'-0"
E	5	2" x 10" x 18'-0"
F	1	2" x 12" x 18'-0"
G	4	2" x 4" x 37 1/2"
H	6	1/2" x 8" BOLT
I	3	1/2" x 9" BOLT
J	3	2" x 4" x 21"
K	3	1/2" x 6" EYE BOLT



NOTE:
HARDWARE: GALVANIZED
LUMBER: PRESSURE TREATED

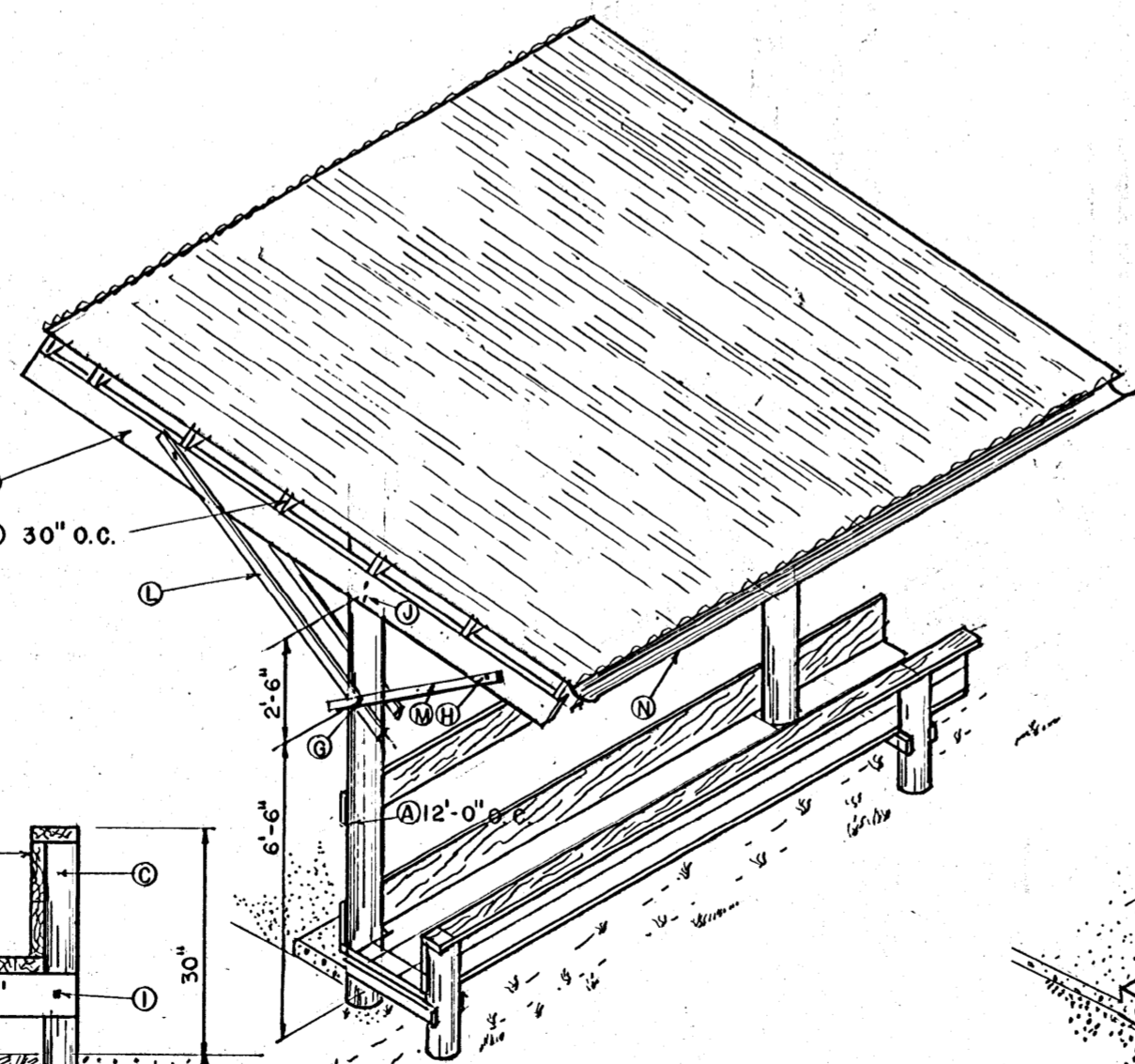
**CUTTING LIST
PER 14'-0" LIST**

ITEM	NO.	DESCRIPTION
A	3	5" TOP x 7'-0" POST
B	3	2" x 2" x 1/4" x 3'-0" ANGLE
C	3	2" x 2" x 1/4" x 24" ANGLE
D	1	3/8" CABLE
E	4	2" x 10" x 14'-0"
F	1	2" x 8" x 14'-0"
G	—	3/8" x 6" BOLT
H	—	3/8" x 3" BOLT
I	3	3/8" x 6" EYE BOLT



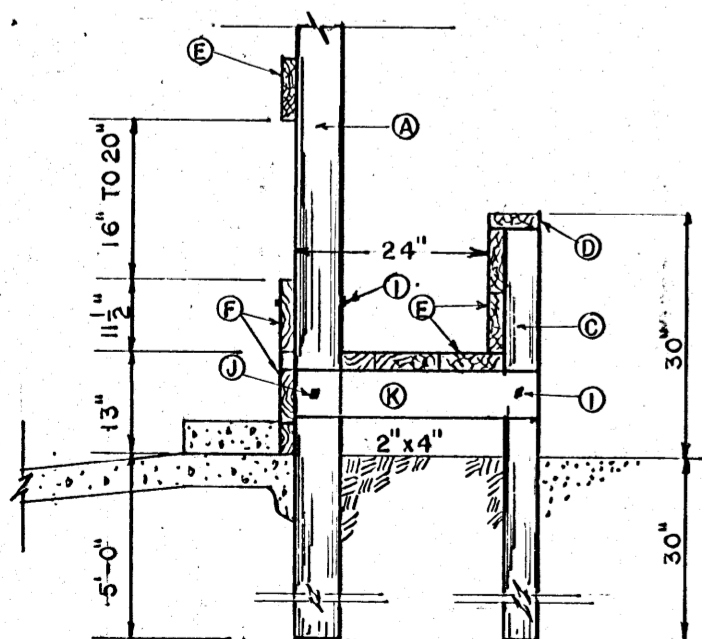
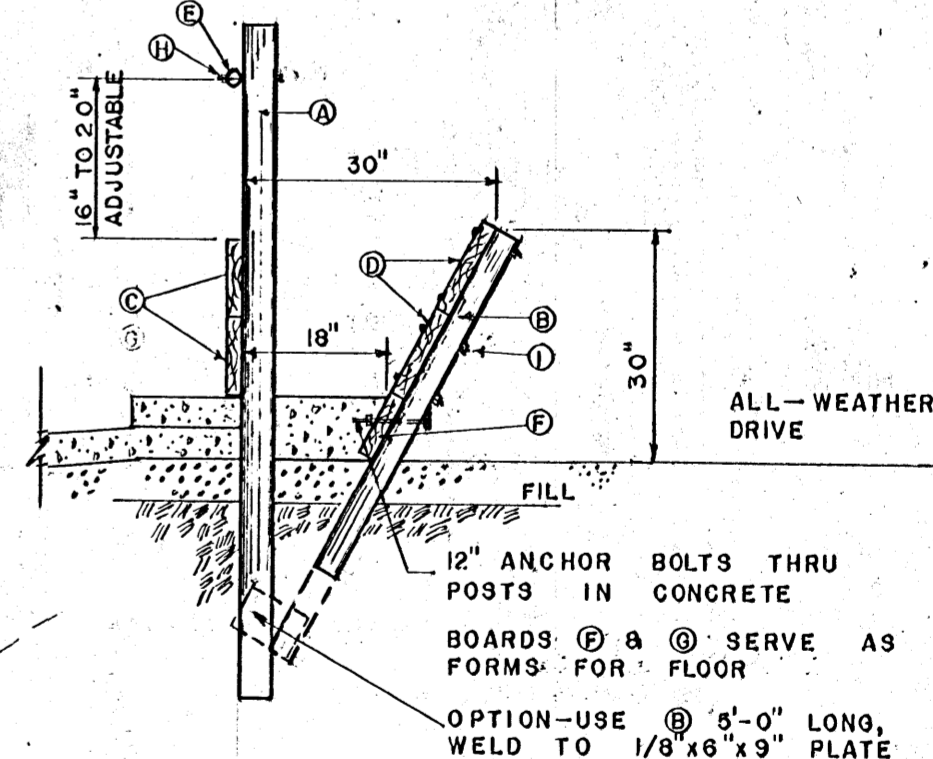
**CUTTING LIST
PER 12'-0" LENGTH**

ITEM	NO.	DESCRIPTION
A	3	8" TOP x 14'-0" POLE
B	7	2" x 8" x 12'-0"
C	3	4" TOP x 5'-0" POLE
D	1	2" x 8" x 12'-0"
E	6	2" x 8" x 12'-0"
F	2	2" x 10" x 12'-0"
G	2	5/8" x 14" BOLT
H	8	1/2" x 4" BOLT
J	4	1/2" x 8" BOLTS—GALV.
J	6	1/2" x 11" BOLTS—GALV.
K	4	2" x 4" x 24" OR 31"
L	4	2" x 4" x 7'-9"
M	4	2" x 4" x 5'-0"
N	1	12'-0" EAVES TROUGH
O	4	2" x 8" x 14'-0"

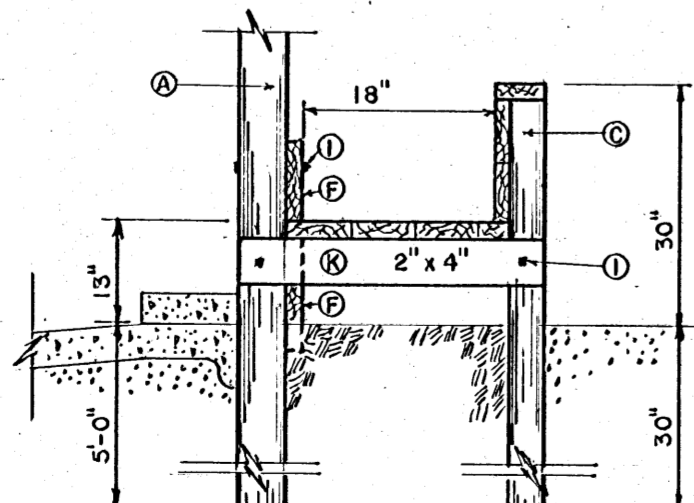


**CUTTING LIST
PER 16'-0" LENGTH**

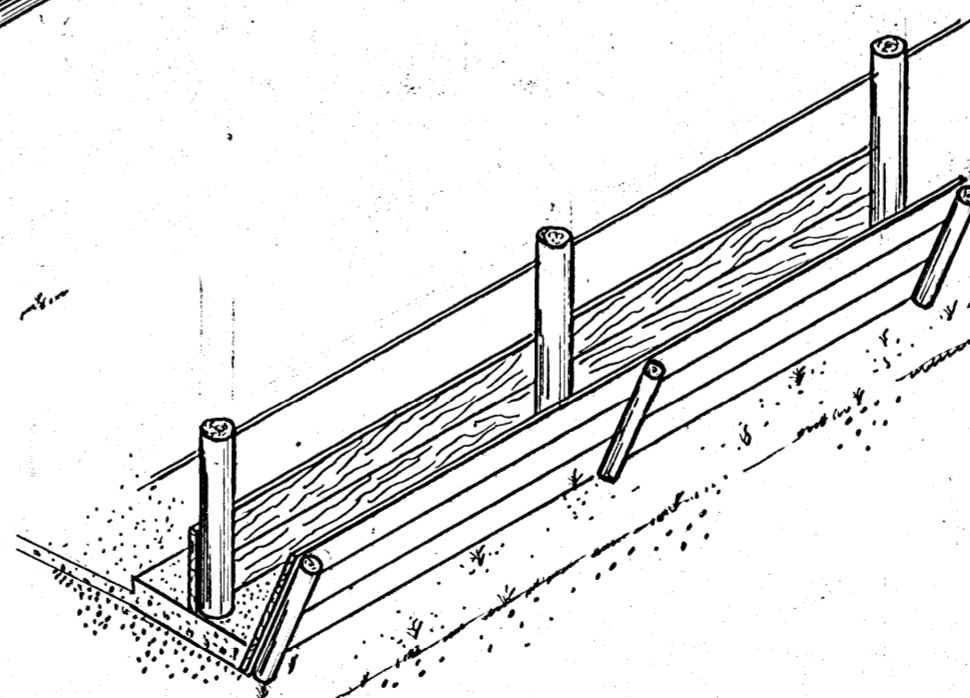
ITEM	NO.	DESCRIPTION
A	3	4" PIPE — 7'-0" LONG
B	3	3" PIPE — 4'-0" LONG
C	2	2" x 10" x 18'-0"
D	2	2" x 12" x 18'-0"
E	1	2" PIPE — 16'-0" LONG
F	1	2" x 8" x 18'-0"
G	1	2" x 4" x 18'-0"
H	—	3/8" x 8" BOLT
I	—	3/8" x 6" BOLT



**POSTS INSIDE
EASIER LOT SCRAPING**

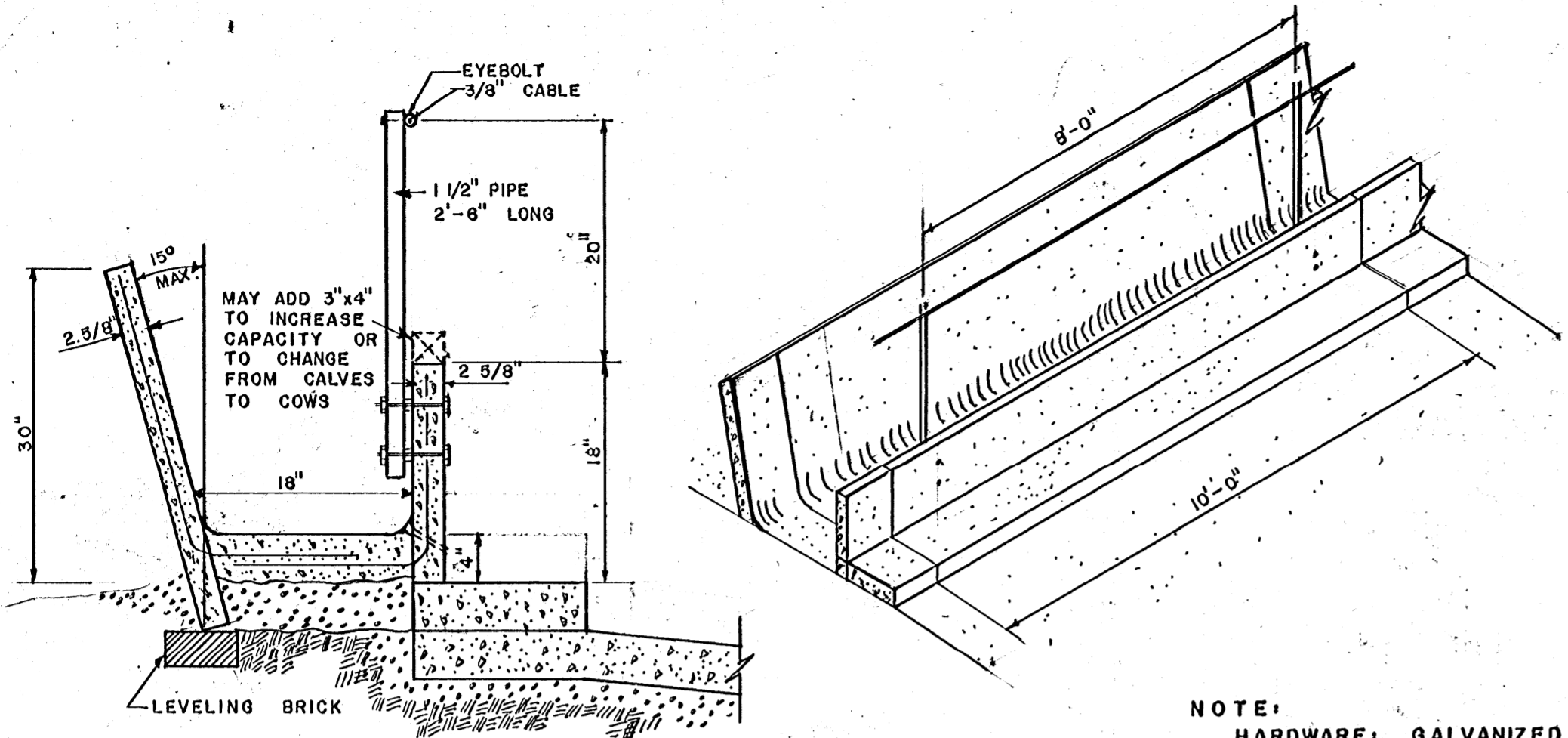


**POSTS OUTSIDE
EASIER BUNK CLEANING**



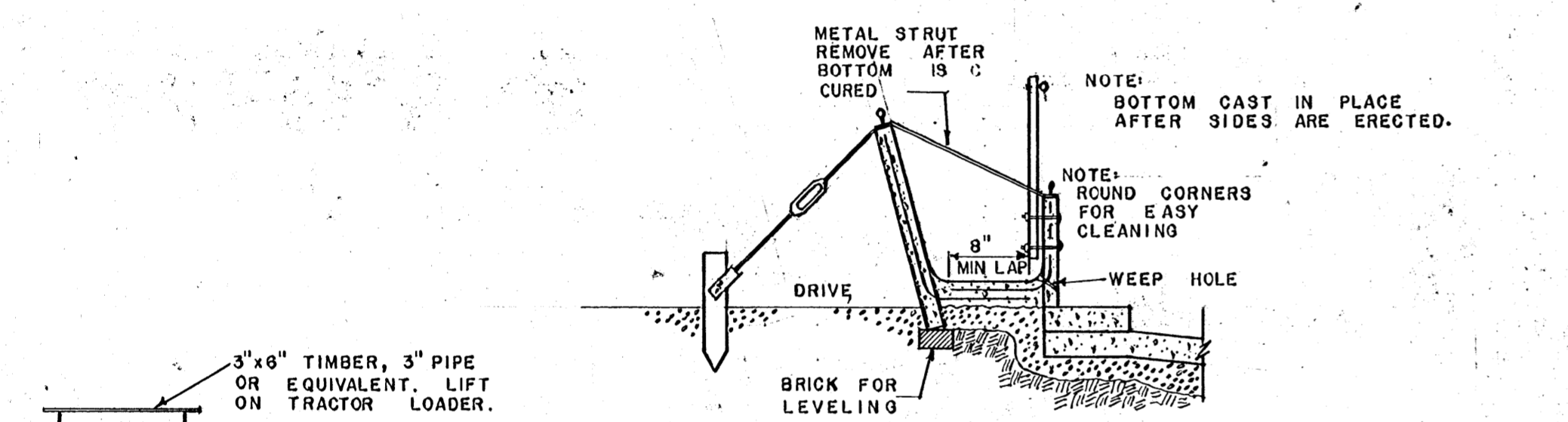
FENCELINE BUNK FEEDERS
 COOPERATIVE EXTENSION SERVICE
 STATE OF MISSISSIPPI
 MISSISSIPPI STATE UNIVERSITY
 AND
 UNITED STATES DEPARTMENT OF AGRICULTURE COOPERATING

DRAWN BY: R.F.W. CHECKED BY: L.M.
 DATE: JUNE '71 DWG. NO. 6012-A SHEET: 1 OF 3

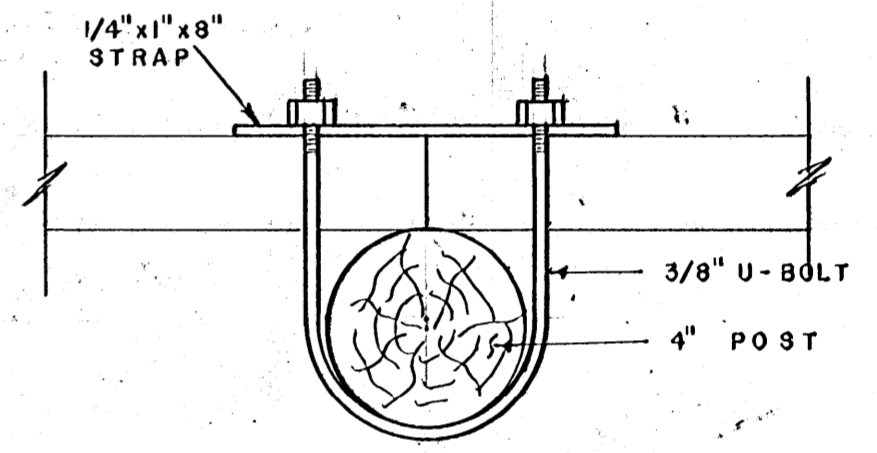
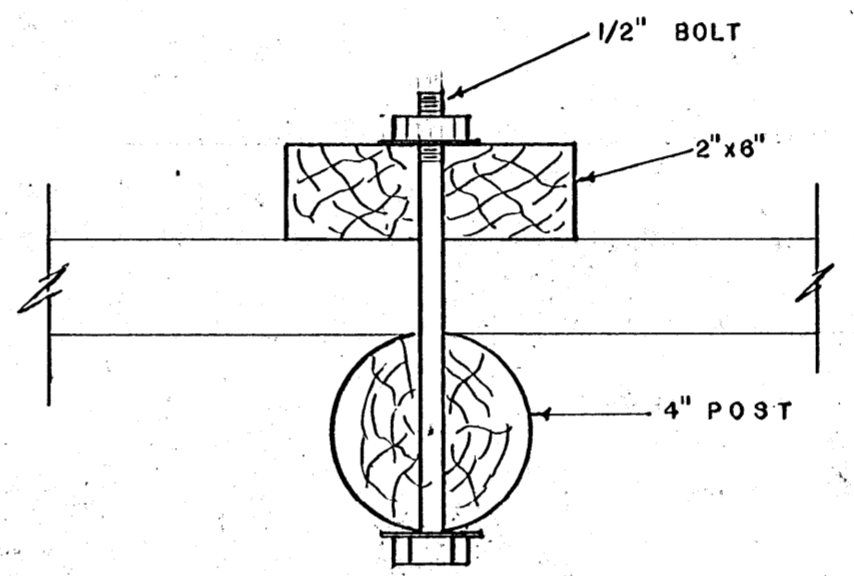
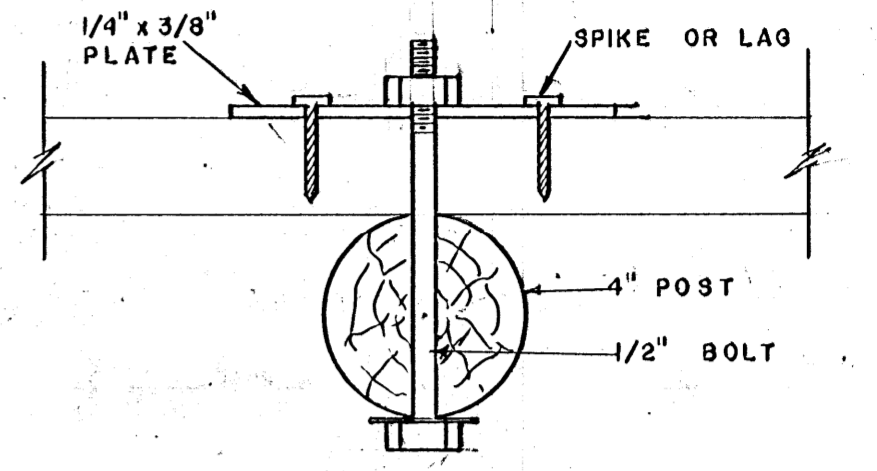
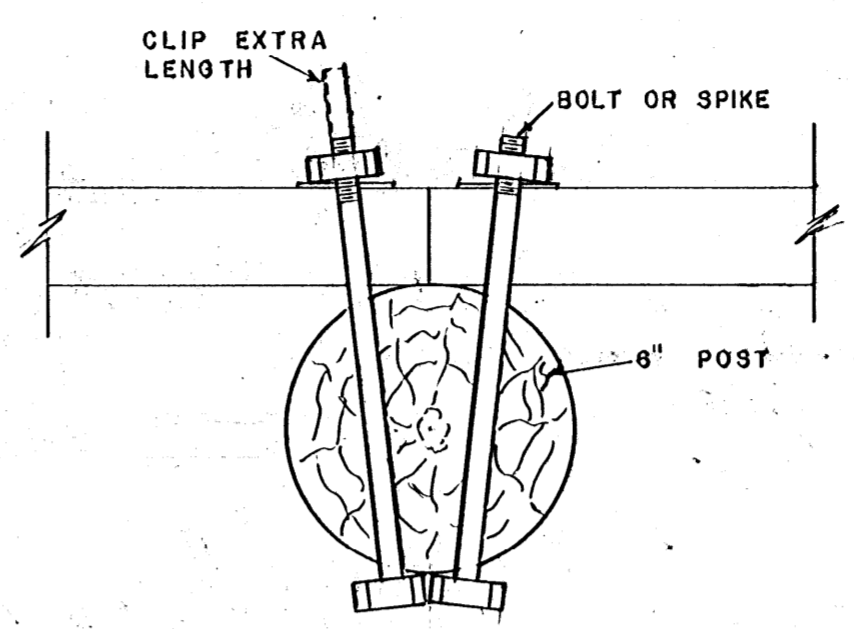
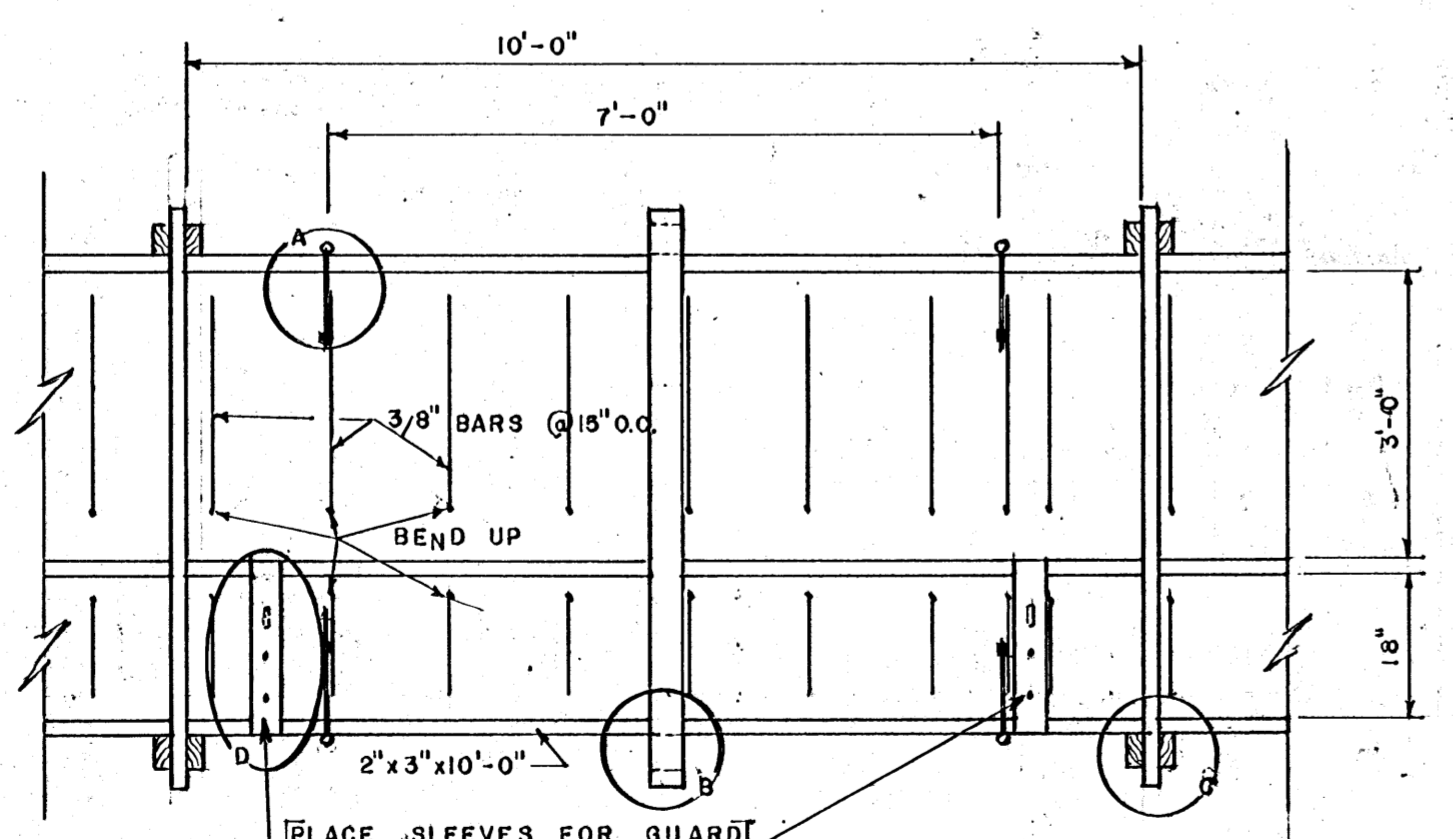
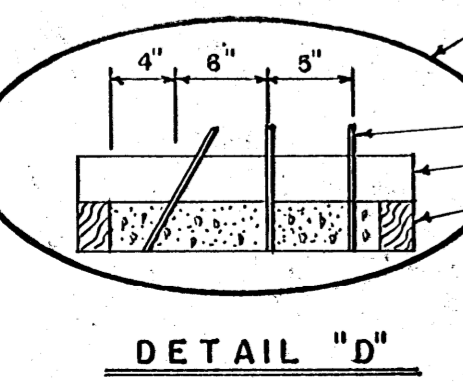
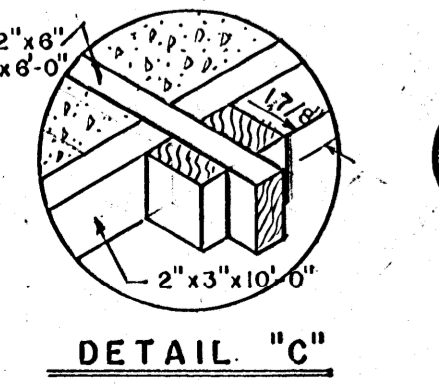
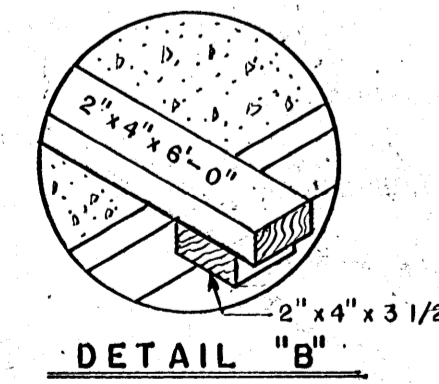
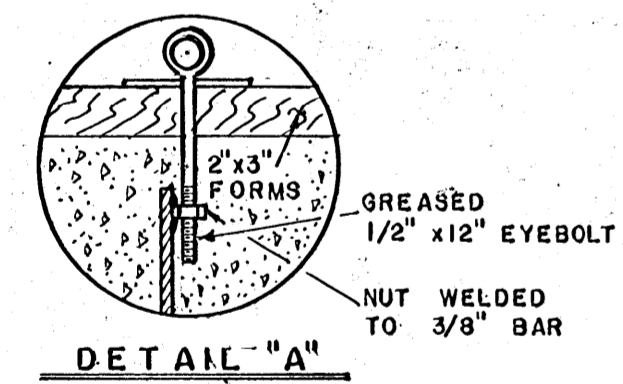


NOTE:
SLOPE APRON 1" PER FOOT AWAY FROM BUNK.
FRONT OF BUNK SHOULD BE FLUSH WITH APRON, OR OPENINGS FILLED SO MANURE CANNOT ACCUMULATE UNDER THE BUNK.

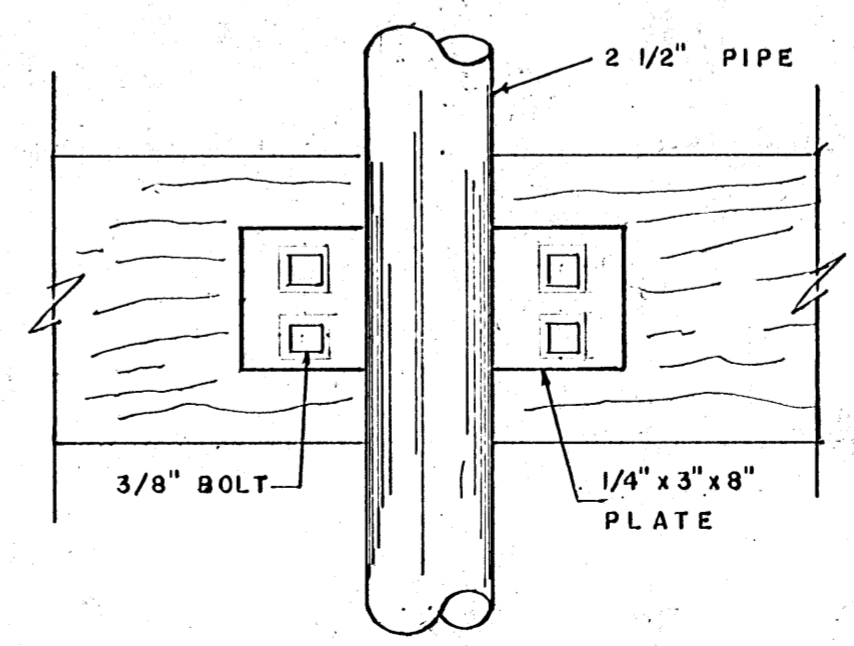
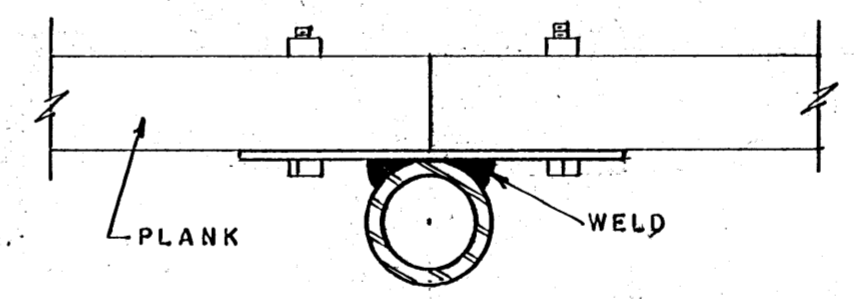
NOTE:
HARDWARE: GALVANIZED
LUMBER: PRESSURE TREATED



PICK UP DETAIL



WOOD POST SPLICE
ROUND OR SQUARE POSTS



PIPE POST SPLICE

FENCELINE BUNK FEEDERS		
COOPERATIVE EXTENSION SERVICE		
STATE OF MISSISSIPPI		
MISSISSIPPI STATE UNIVERSITY		
AND		
UNITED STATES DEPARTMENT OF AGRICULTURE COOPERATING		
DRAWN BY: R.F.W.	CHECKED BY: L.M.	
DATE: JUNE '71	DWG. NO. 6012-A	SHEET 2 OF 3

BUNK PLANNING

FEEDING

FEEDING SPACE PER ANIMAL IS DETERMINED BY THE SIZE OF THE ANIMAL, AND THE NUMBER OF ANIMALS WHICH WILL EAT OR DRINK AT ONE TIME.

IF ALL ANIMALS MUST EAT AT SAME TIME, ALLOW 24" BUNK SPACE PER COW, 30" FOR EXTRA LARGE COWS.

IF FEED IS ALWAYS AVAILABLE ALLOW 4'-6" PER HEAD. IF FRESH FEED IS SUPPLIED AT LEAST DAILY, MORE ANIMALS WILL WANT TO EAT AT ONE TIME. ALLOW 15"-18" PER COW, 12" PER YEARLING.

ORIENTATION

ORIENT BUNKS N-S TO NW-SE WITH SILOS ON THE NORTH END. PROVIDE DRAINAGE DIVERSION ON EAST OR WEST FACING SLOPES. BUNKS SHOULD NOT BLOCK CROSS DRAINAGE ON LOTS.

ORIENT BUNKS UP AND DOWN THE SLOPE. PROVIDE APRON.

PAVEMENT

PAVE AROUND ALL FEEDING AND WATERING FACILITIES. PROVIDE FOR POWER CLEANING. PROVIDE WALKWAYS FROM FEEDING AREAS TO OTHER AREAS.

WIDTH OF BUNKS

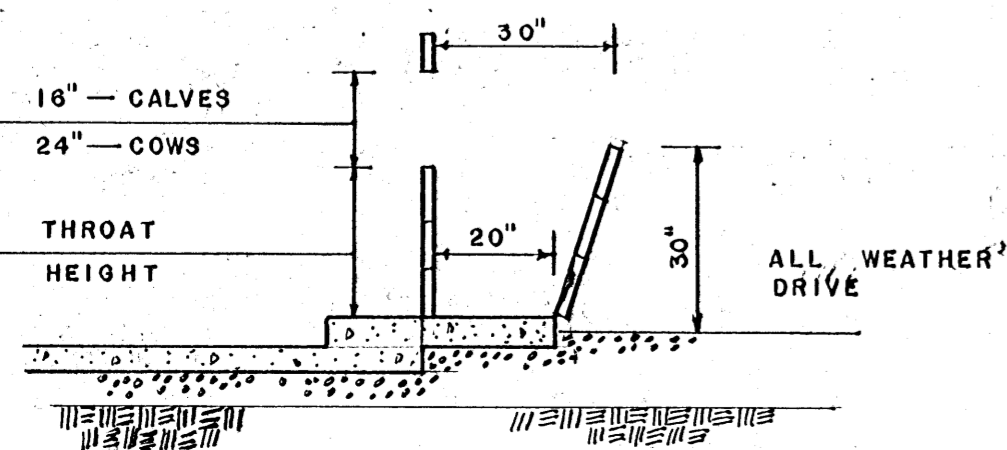
48" IF FEED FROM BOTH SIDES.
48"-60" IF BUNK IS DIVIDED BY MECHANICAL FEEDER

THROAT HEIGHT

16"-18" - CALVES
20" - YEARLINGS
22"-24" - MATURE COWS
30" - MATURE COWS ON UNSCRAPED, FLAT APRON.

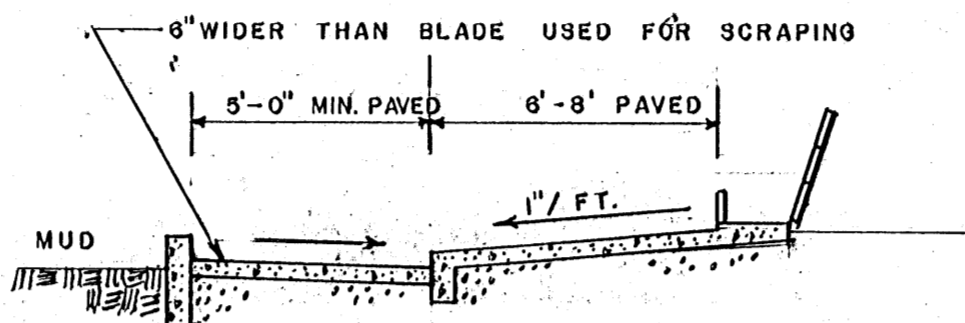
FENCELINE BUNKS

CATTLE ARE FED FROM ONE SIDE. THE BUNKS ARE USUALLY FILLED WITH A POWER UNLOADING WAGON OR TRUCK. THEY CAN BE USED WITH ANY SIZE OF OPERATION AND ARE EASILY LENGTHENED. FEEDING DRIVEWAYS TAKE A LOT OF SPACE, AND MUST BE SURFACED FOR ALL-WEATHER USE. TWICE AS MUCH TOTAL BUNK LENGTH (BUT NOT TWICE AS MUCH COST) IS REQUIRED AS FOR BUNKS WHERE CATTLE FEED FROM BOTH SIDES. A ROOF OVER ALL FEED BUNKS ARE RECOMMENDED.



APRON

AN APRON SLOPED 1" PER FOOT WILL CONTROL SURFACE WATER, WILL HAVE LITTLE MANURE ACCUMULATION NEAR THE BUNK, AND WILL DISCOURAGE BUNK FOULING. A 1/2" PER FOOT SLOPE IS MINIMUM.



AN APRON 6'-0" - 8'-0" WIDE PLUS PAVED SPACE PROVIDES FOR PASSAGE OF ANIMALS AND TRACTOR-SCRAPER.

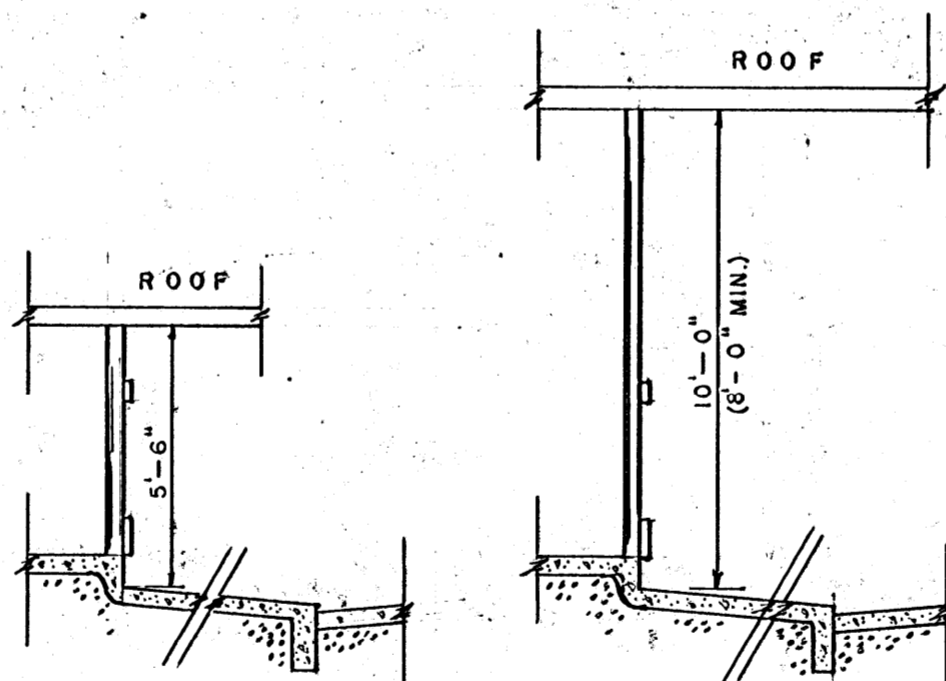
COVERED BUNKS

IF FEED IS TO BE IN A BUNK FOR EXTENDED PERIODS, WEATHER PROTECTION IS ADVISABLE.

A ROOF 8'-0" - 10'-0" WIDE WILL PROVIDE PROTECTION OF BUNK AND GIVE SHADE.

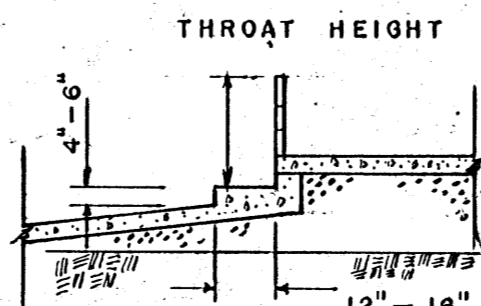
A WIDE ROOF HIGH ENOUGH TO CLEAR CLEANING EQUIPMENT PROVIDES SHELTER FOR FEED AND CATTLE, AND SUMMER SHADE.

SOME DAIRYMEN OBJECT TO COWS RESTING ON THE PAVED APRON AND SO PROVIDE NO SHADE OVER THE BUNK.



STEP FOR BUNK

A STEP NEXT TO THE BUNK, ESPECIALLY ON APRONS WITH LITTLE OR NO SLOPE, WILL HELP KEEP THE BUNK CLEAN BY PREVENTING THE COWS FROM STANDING ALONG THE BUNK OR BACKING UP TO IT. STEPS PROTECT A BUNK FROM SCRAPPING EQUIPMENT, ESPECIALLY WITH OUTSIDE POSTS. WITH OUTSIDE POST. WITH HIGH-FLOOR BUNKS, STEPS REDUCE THROAT HEIGHT.



FENCELINE BUNK FEEDERS

COOPERATIVE EXTENSION SERVICE
STATE OF MISSISSIPPI
MISSISSIPPI STATE UNIVERSITY
AND
UNITED STATES DEPARTMENT OF AGRICULTURE COOPERATING

DRAWN BY: R.F.W. CHECKED BY: L.M.
DATE: JUNE '71 DWG. NO. 6 012-A SHEET 3 OF 3