

COOP

- NOTES:
1. COOP CAN BE RAISED TO 4'-0" WITH A 6" BLOCK
 2. 1"X6" T&G BOARDS CAN BE REPLACED WITH 3/4" EXTERIOR GRADE PLYWOOD

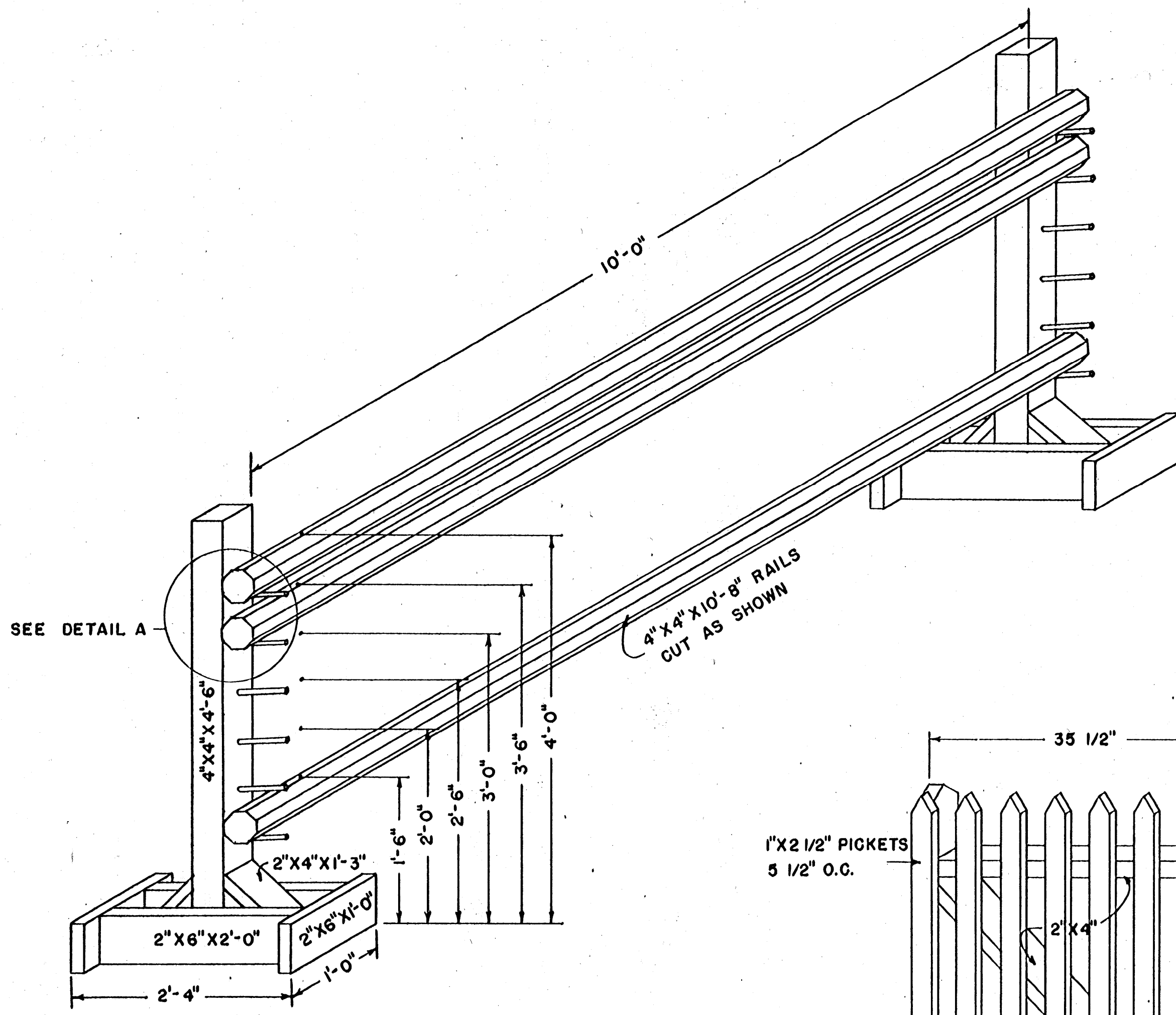
COOP

- NOTE:
- COOP CAN BE RAISED TO 3'-0" WITH A 6" BLOCK

COOPERATIVE EXTENSION WORK IN
 AGRICULTURE AND HOME ECONOMICS
 STATE OF MISSISSIPPI
 MISSISSIPPI STATE UNIVERSITY
 AND
 UNITED STATES DEPARTMENT OF AGRICULTURE COOPERATING

HORSE EQUIPMENT

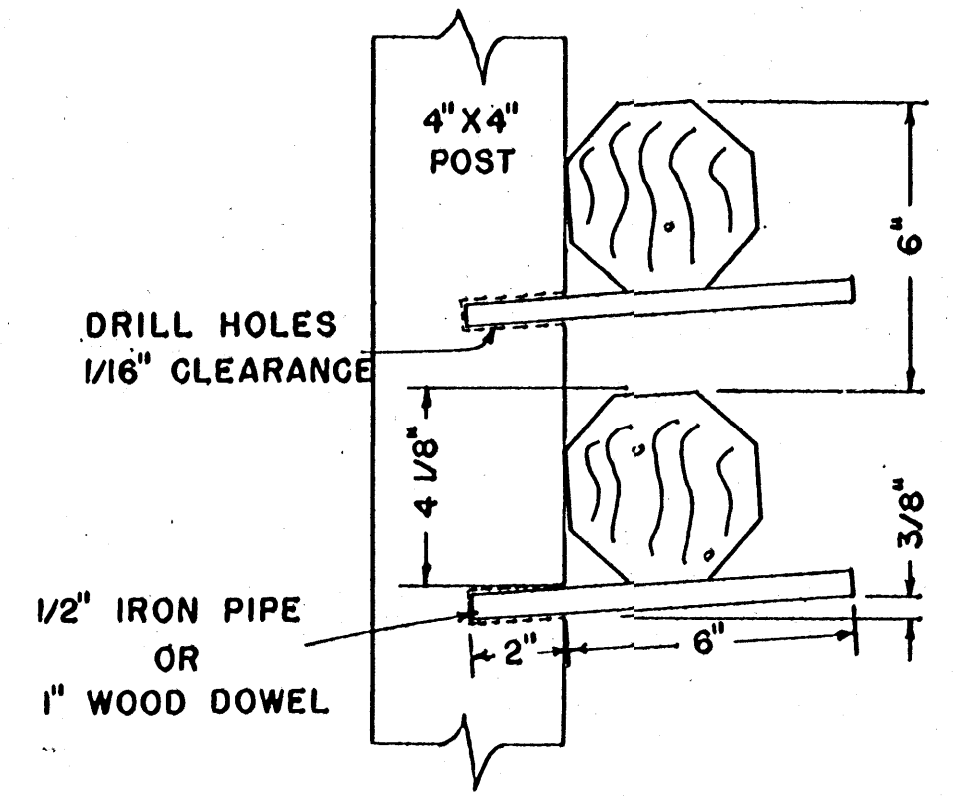
VA. '67 EX. 6014 SHEET 1 OF 4



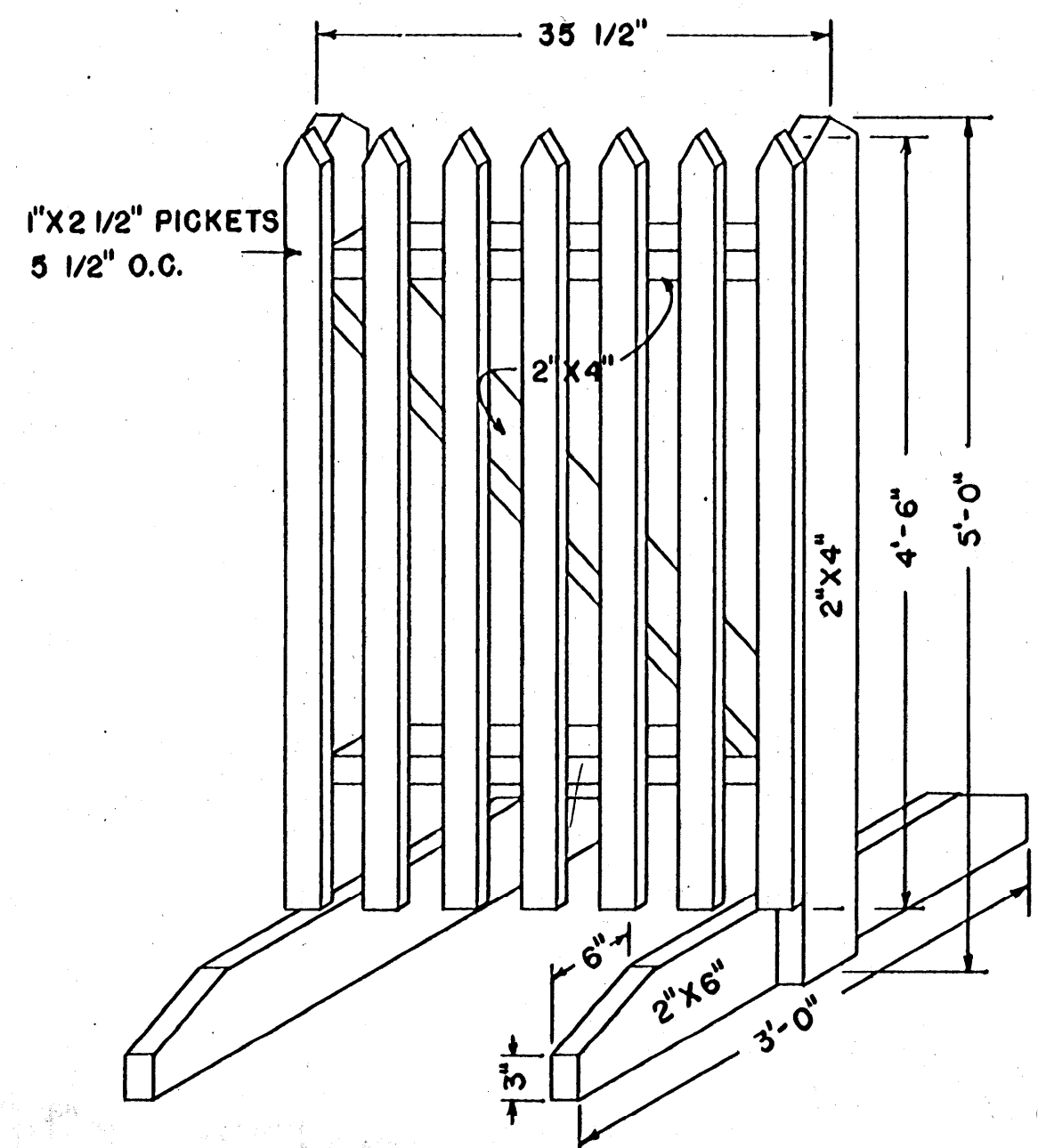
SEE DETAIL A

4" X 4" X 10'-8" RAILS
CUT AS SHOWN

WHITE RAIL JUMP



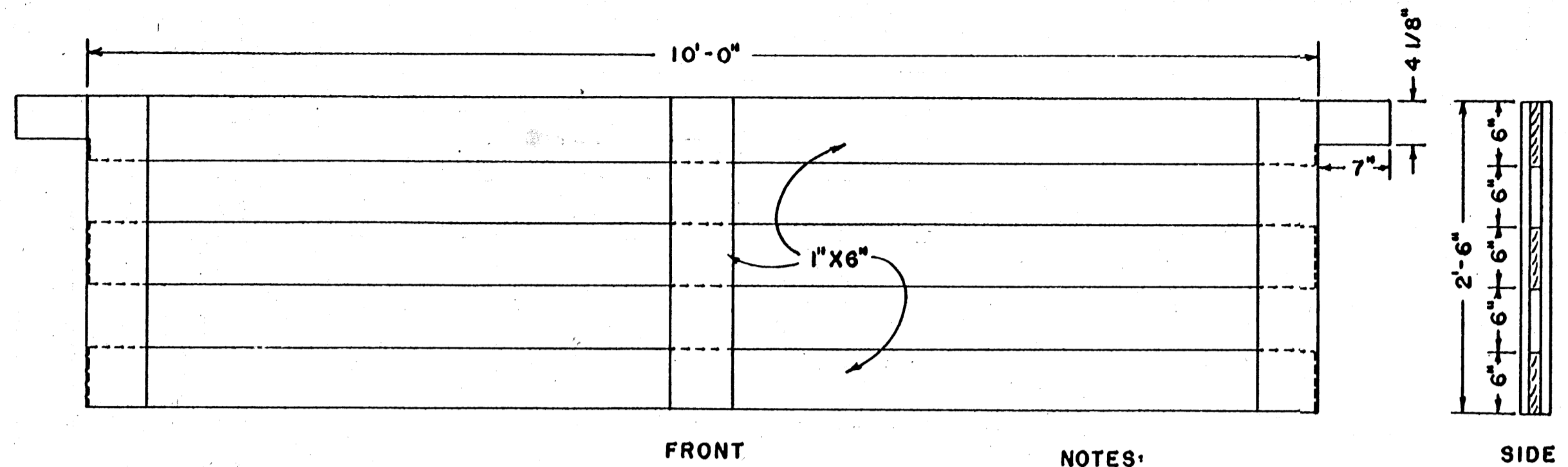
DETAIL A



WING

COOPERATIVE EXTENSION WORK IN
AGRICULTURE AND HOME ECONOMICS
STATE OF MISSISSIPPI
MISSISSIPPI STATE UNIVERSITY
AND
UNITED STATES DEPARTMENT OF AGRICULTURE COOPERATING

HORSE EQUIPMENT

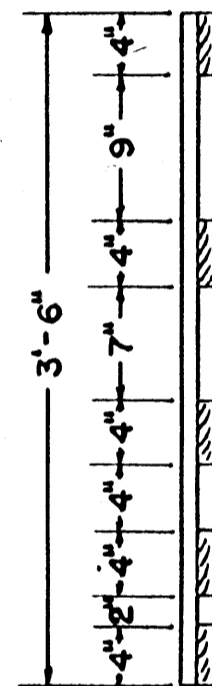


FRONT

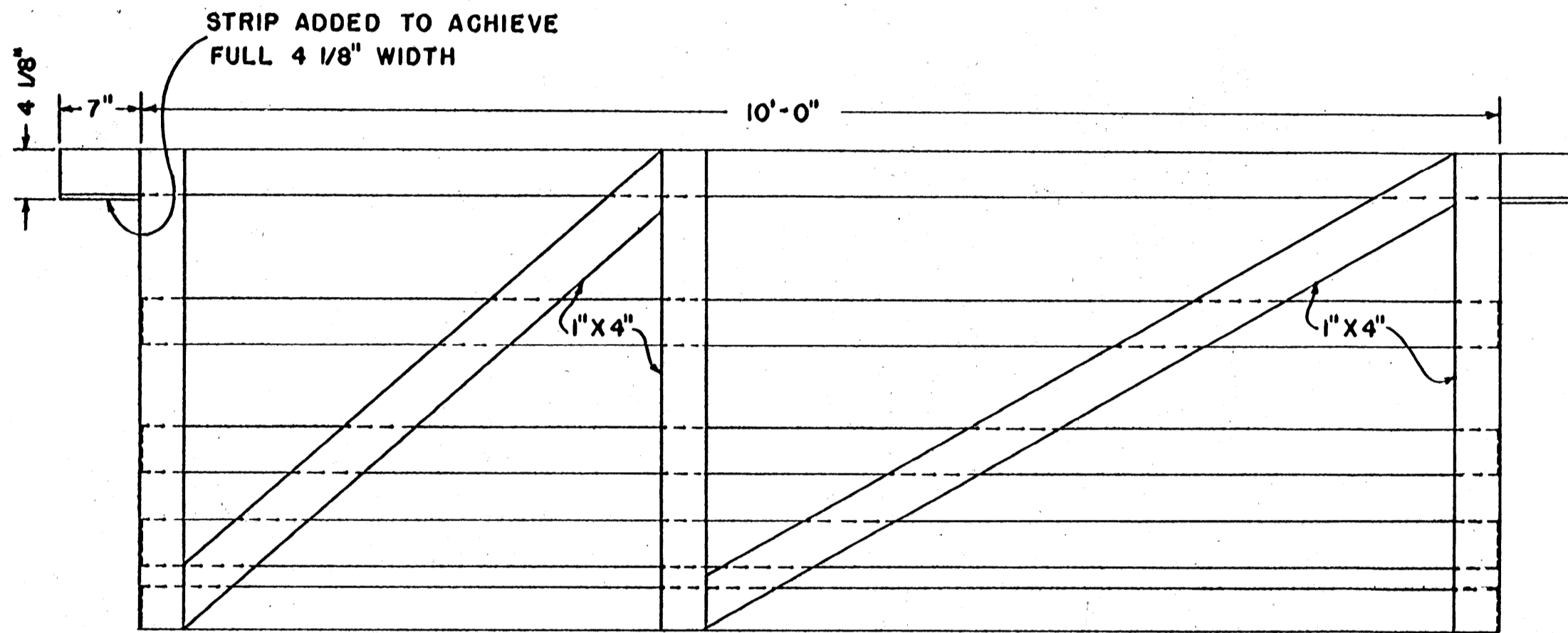
SIDE

NOTES:
1. GATE SIZE ADJUSTED FOR USE WITH WHITE RAIL JUMP POST.

PLANK



SIDE

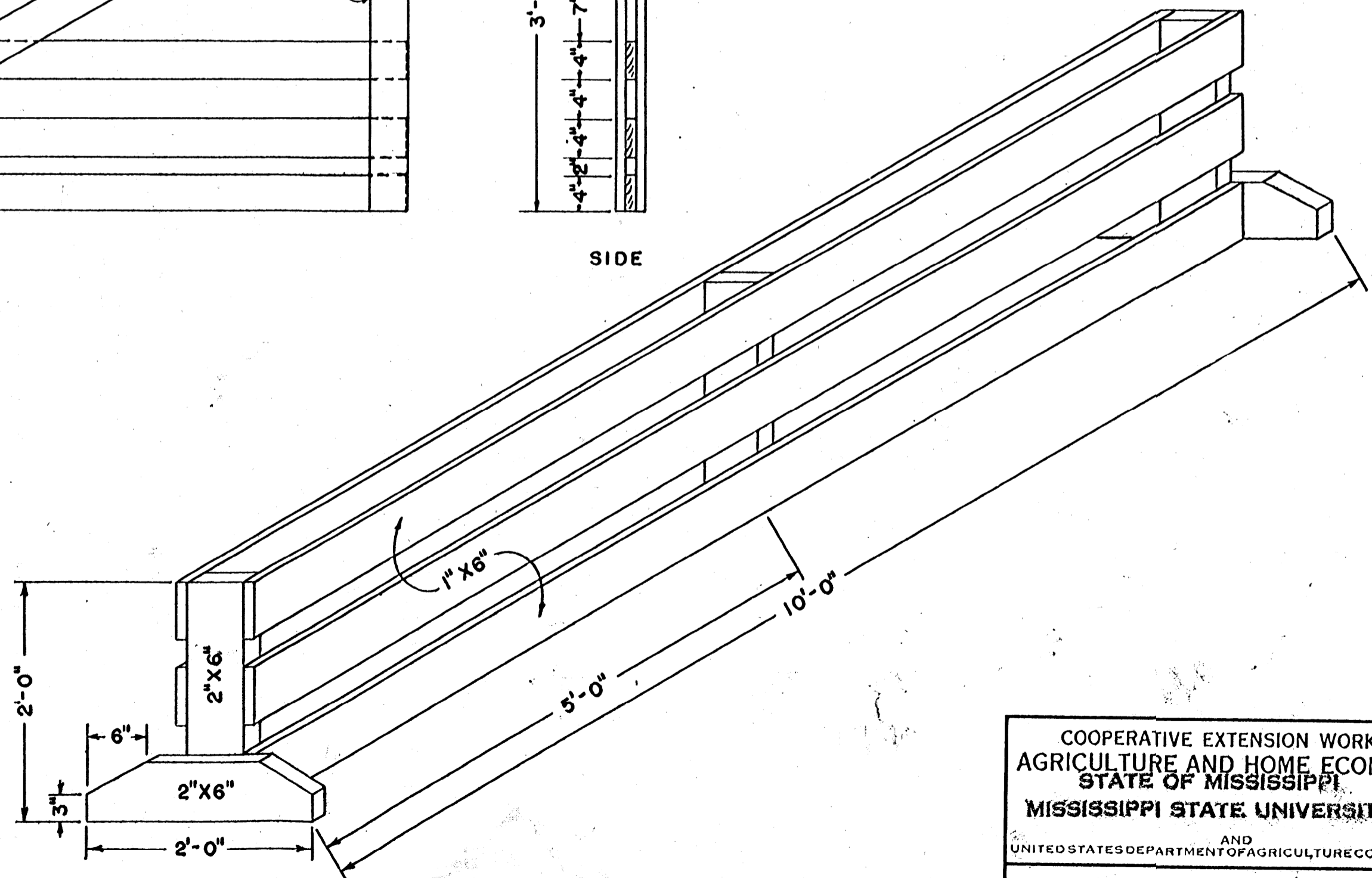


FRONT

GATE

NOTES:
1. GATE SIZE ADJUSTED FOR USE WITH WHITE RAIL JUMP POST
2. FOR FINISHED LUMBER A 1" X 4" WILL BE 3 5/8" WIDE. A 1/2" STRIP WILL BE NECESSARY TO ACHIEVE THE FULL 4 1/8" WIDTH.

NOTES:
1. 2' STAND MAKES A 2'-6" BRUSH JUMP WHEN THE REQUIRED 6" OF BRUSH IS ADDED
2. JUMP MAY BE RAISED TO 3'-0" BY SETTING ON 6" BLOCKS
3. A 3'-6" JUMP CAN BE MADE BY USING 3'-0" UPRIGHTS, AND 4, 1" X 6" BOARDS ON EACH SIDE SPACED 10" O.C.

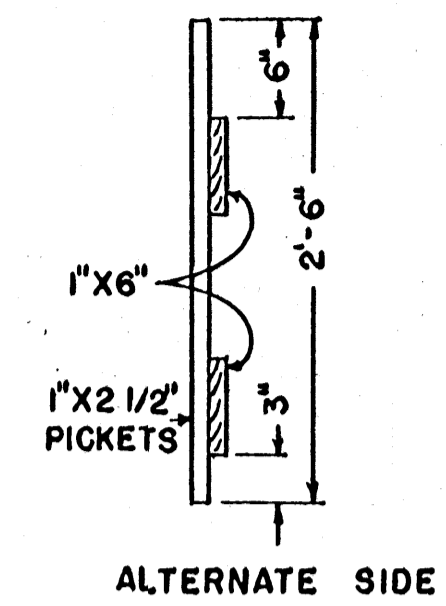
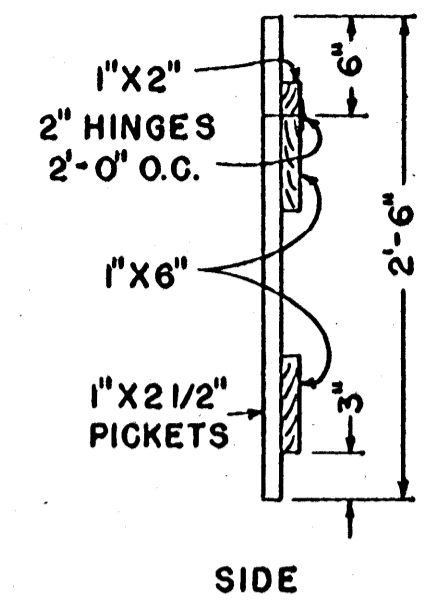
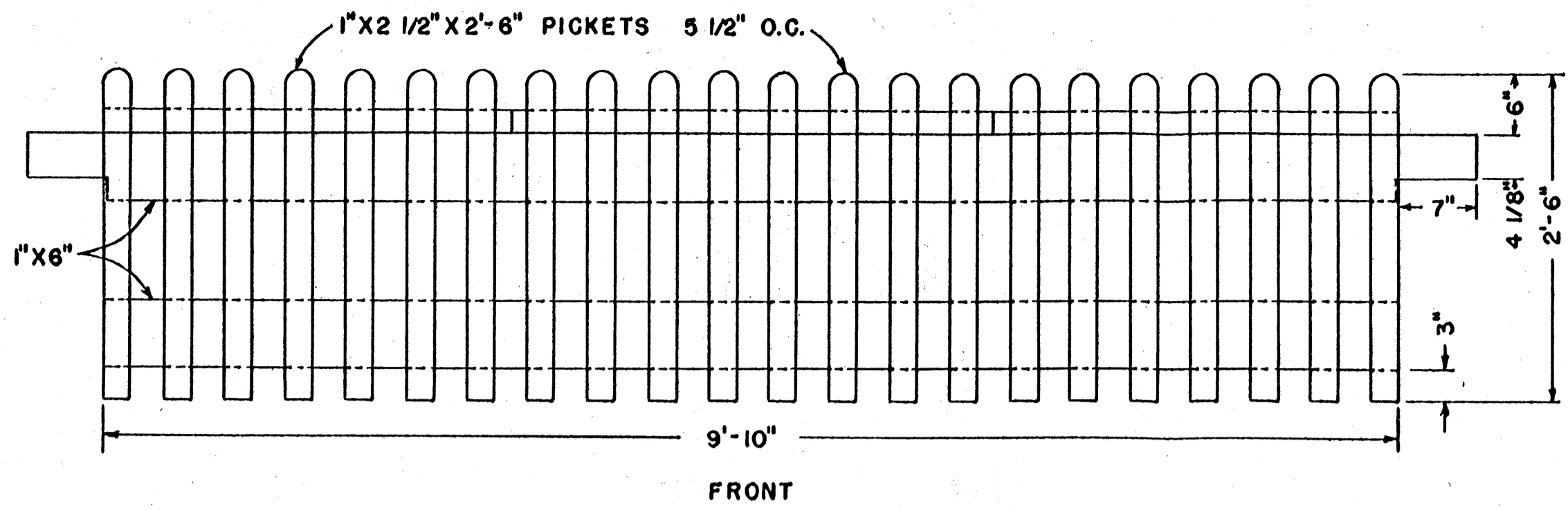


BRUSH JUMP

COOPERATIVE EXTENSION WORK IN
AGRICULTURE AND HOME ECONOMICS
STATE OF MISSISSIPPI
MISSISSIPPI STATE UNIVERSITY
AND
UNITED STATES DEPARTMENT OF AGRICULTURE COOPERATING

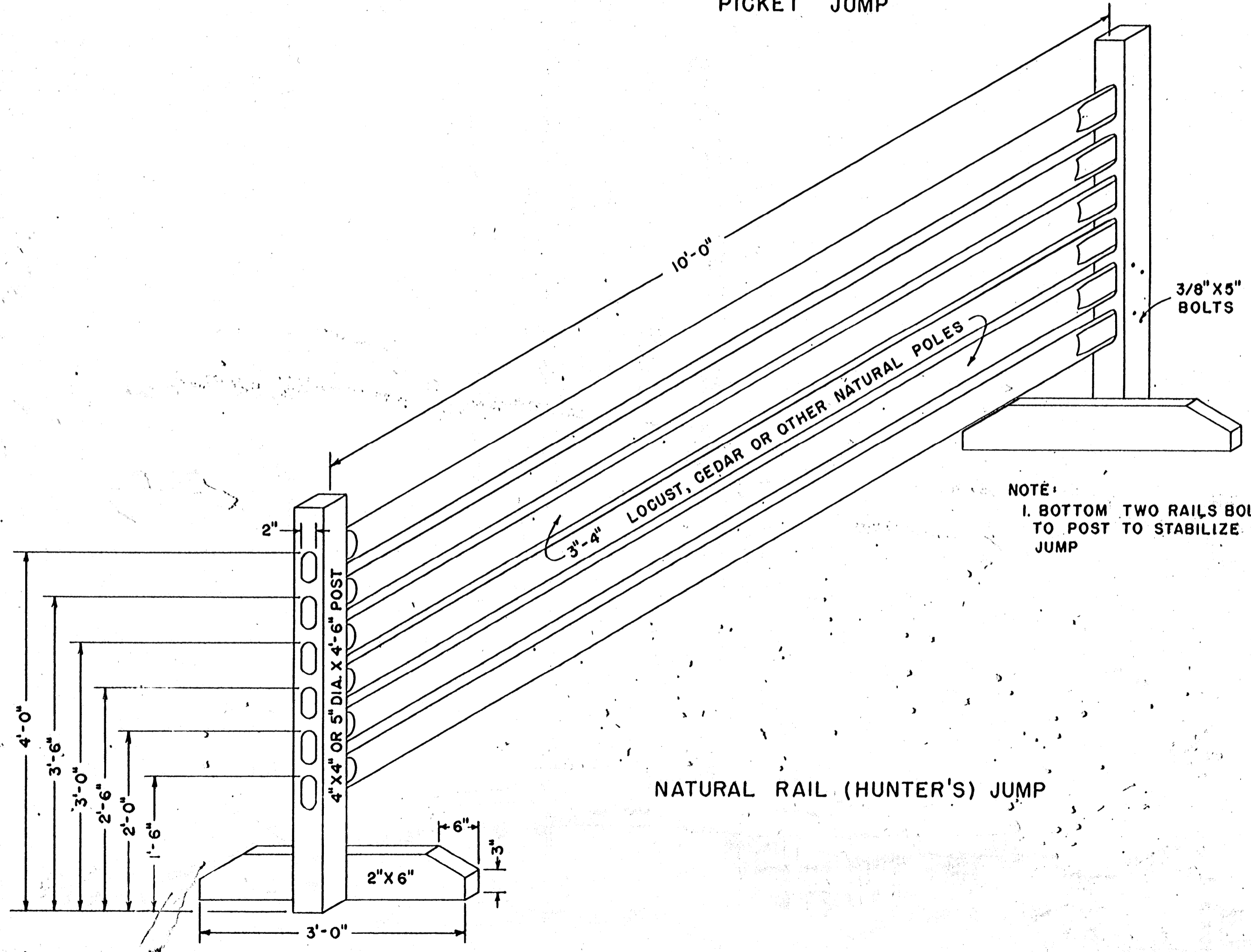
HORSE EQUIPMENT

VA. '67 EX. 6014 SHEET 3 OF 4



NOTE:
 I. SEVEN PICKETS ON EACH
 END & EIGHT PICKETS IN
 THE CENTER HINGED AS
 SEPARATE UNITS

PICKET JUMP



NOTE:
 I. BOTTOM TWO RAILS BOLTED
 TO POST TO STABILIZE
 JUMP

COOPERATIVE EXTENSION WORK IN
 AGRICULTURE AND HOME ECONOMICS
 STATE OF MISSISSIPPI
 MISSISSIPPI STATE UNIVERSITY
 AND
 UNITED STATES DEPARTMENT OF AGRICULTURE COOPERATING

HORSE EQUIPMENT