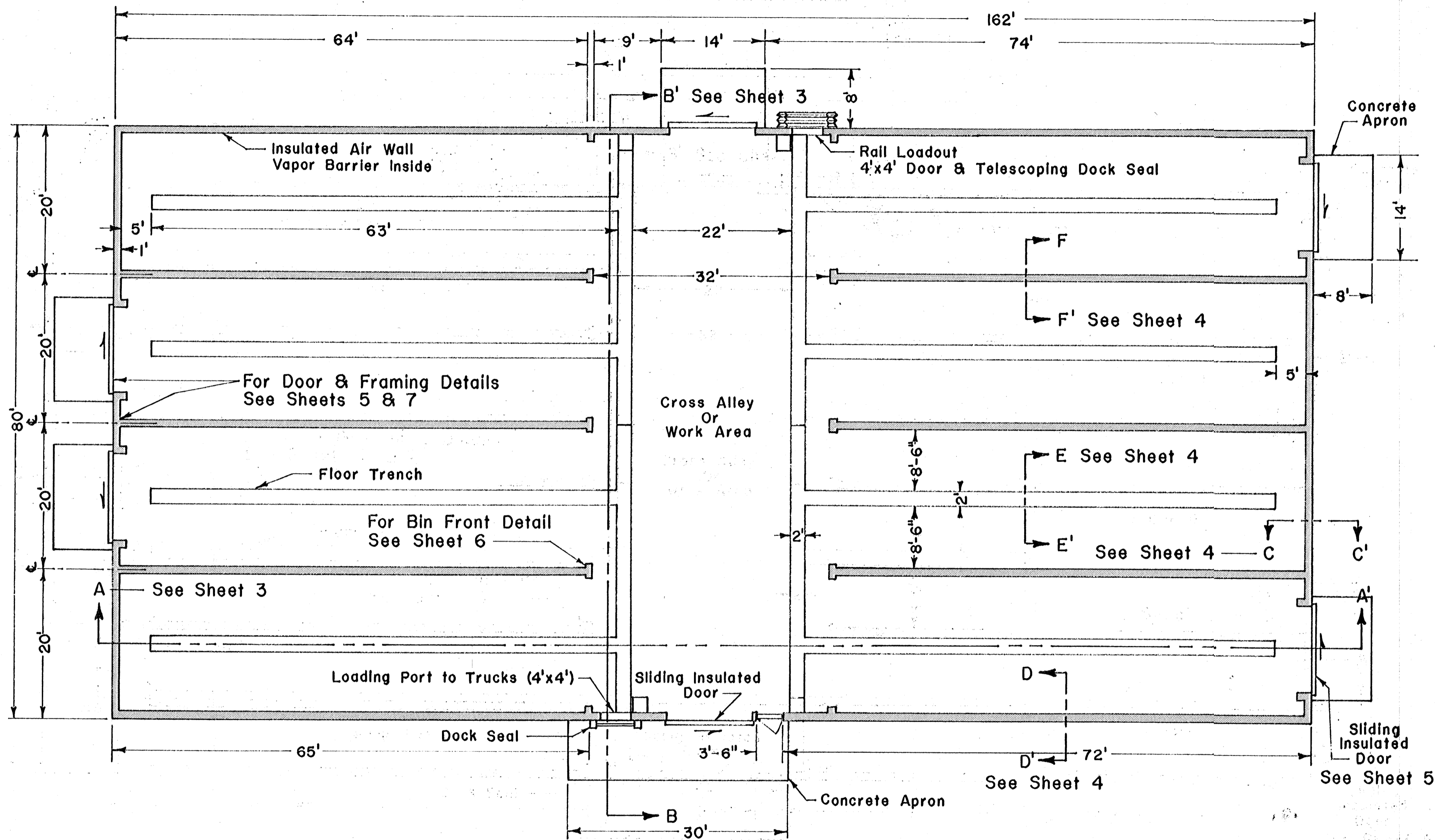


THE OPERATOR PLANNING TO BUILD A STORAGE SHOULD RETAIN THE SERVICES OF A PROFESSIONAL ENGINEER TO DESIGN THE STORAGE TO MEET THE OPERATOR'S PARTICULAR NEEDS AND TO MEET LOCAL CONDITIONS, AS WELL AS TO SUPERVISE CONSTRUCTION.

NOTE ADDED-SHEET 1
REVISED: 5-2-69.

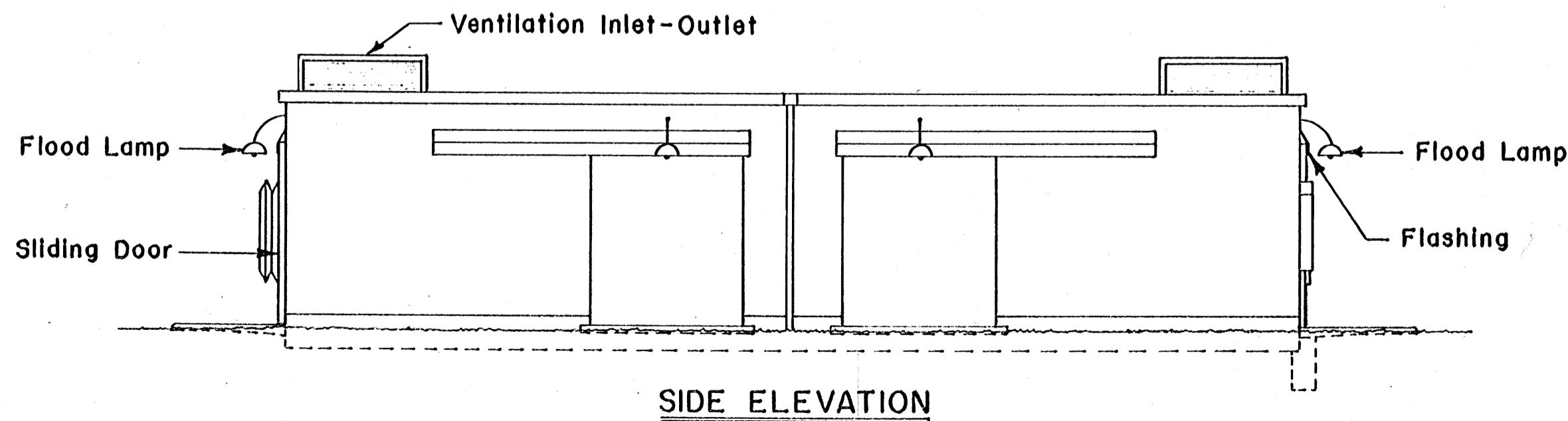
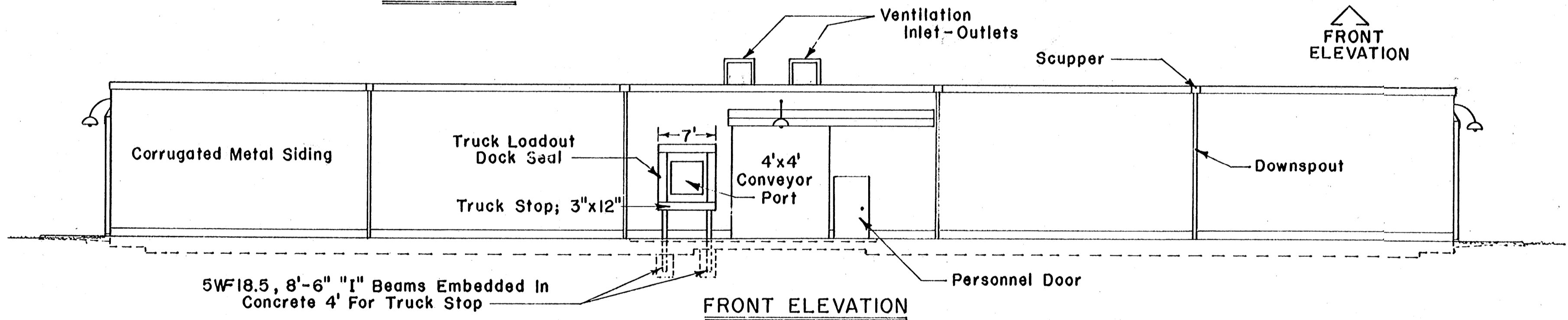
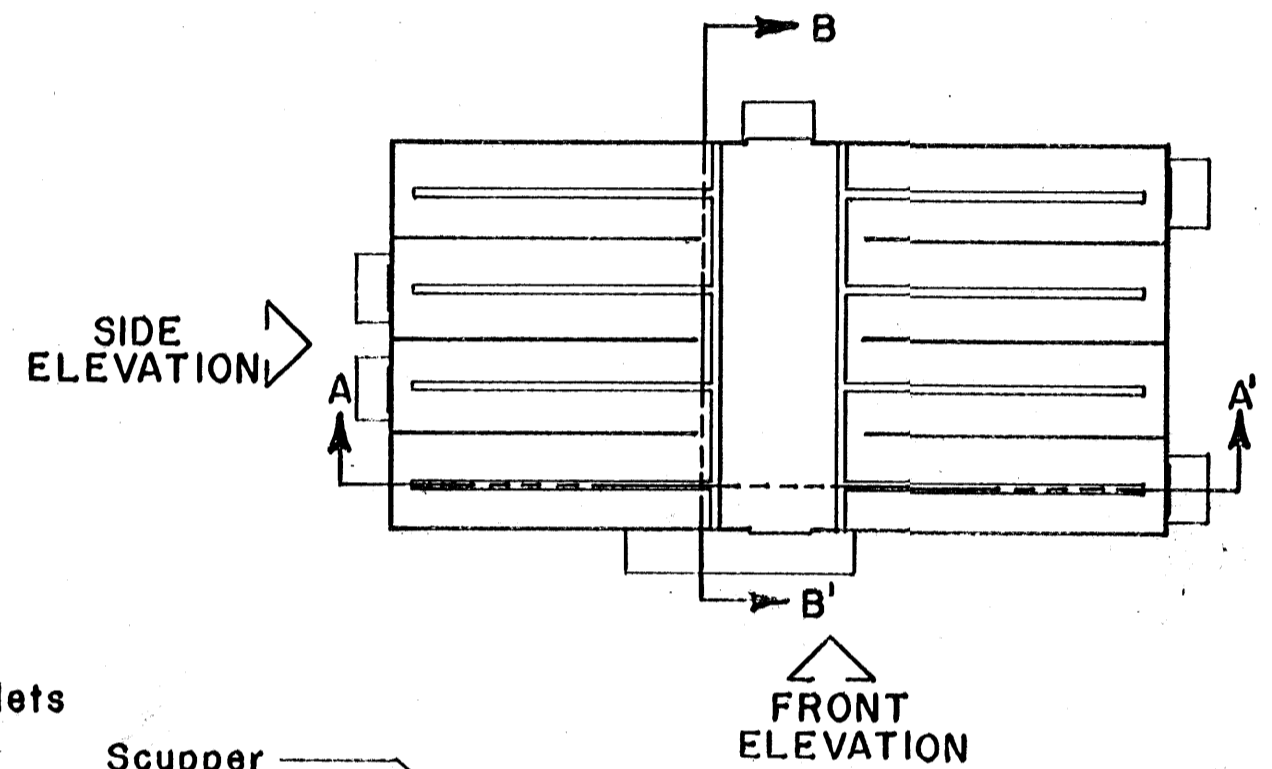
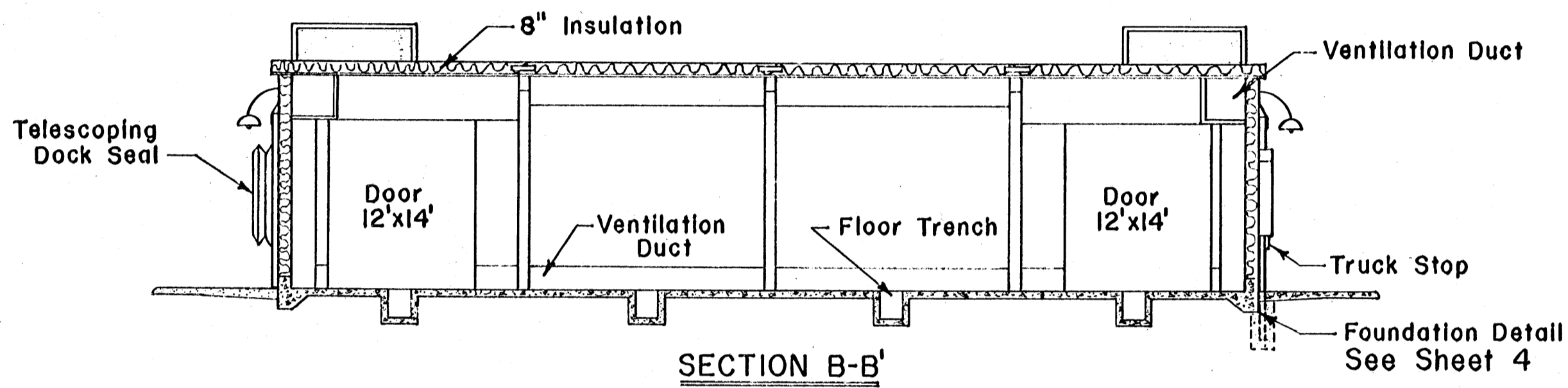
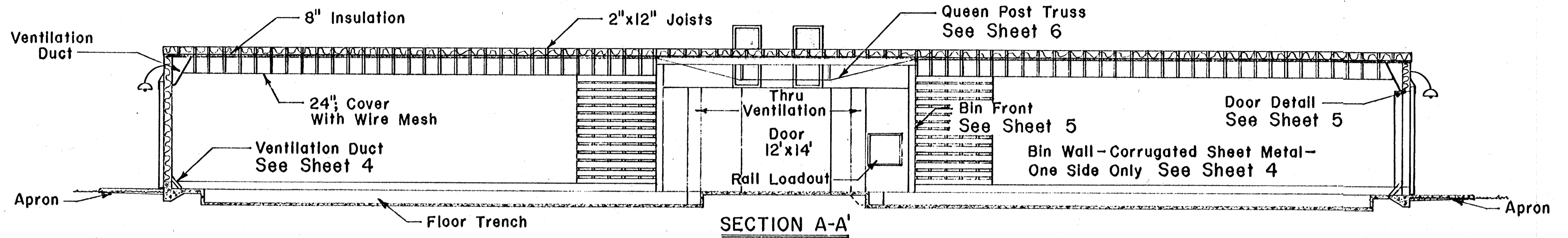
COOPERATIVE EXTENSION WORK IN AGRICULTURE AND HOME ECONOMICS		
STATE OF MISSISSIPPI MISSISSIPPI STATE UNIVERSITY		
UNITED STATES DEPARTMENT OF AGRICULTURE COOPERATING		
POTATO STORAGE 60,000 CWT. CROSS ALLEY		
ARS-TFRD	EX. 6018	SHEET 1 OF 10
PERSPECTIVE		



Note: Walls Between Bins Are Not Insulated See Section F-F', Sheet 4

SCALE: 1" = 10'

COOPERATIVE EXTENSION WORK IN AGRICULTURE AND HOME ECONOMICS		
STATE OF MISSISSIPPI		
MISSISSIPPI STATE UNIVERSITY		
UNITED STATES DEPARTMENT OF AGRICULTURE COOPERATING		
POTATO STORAGE		
60,000CWT. CROSS ALLEY		
ARS-TFRD	EX. 6018	SHEET 2 OF 10
LAYOUT		



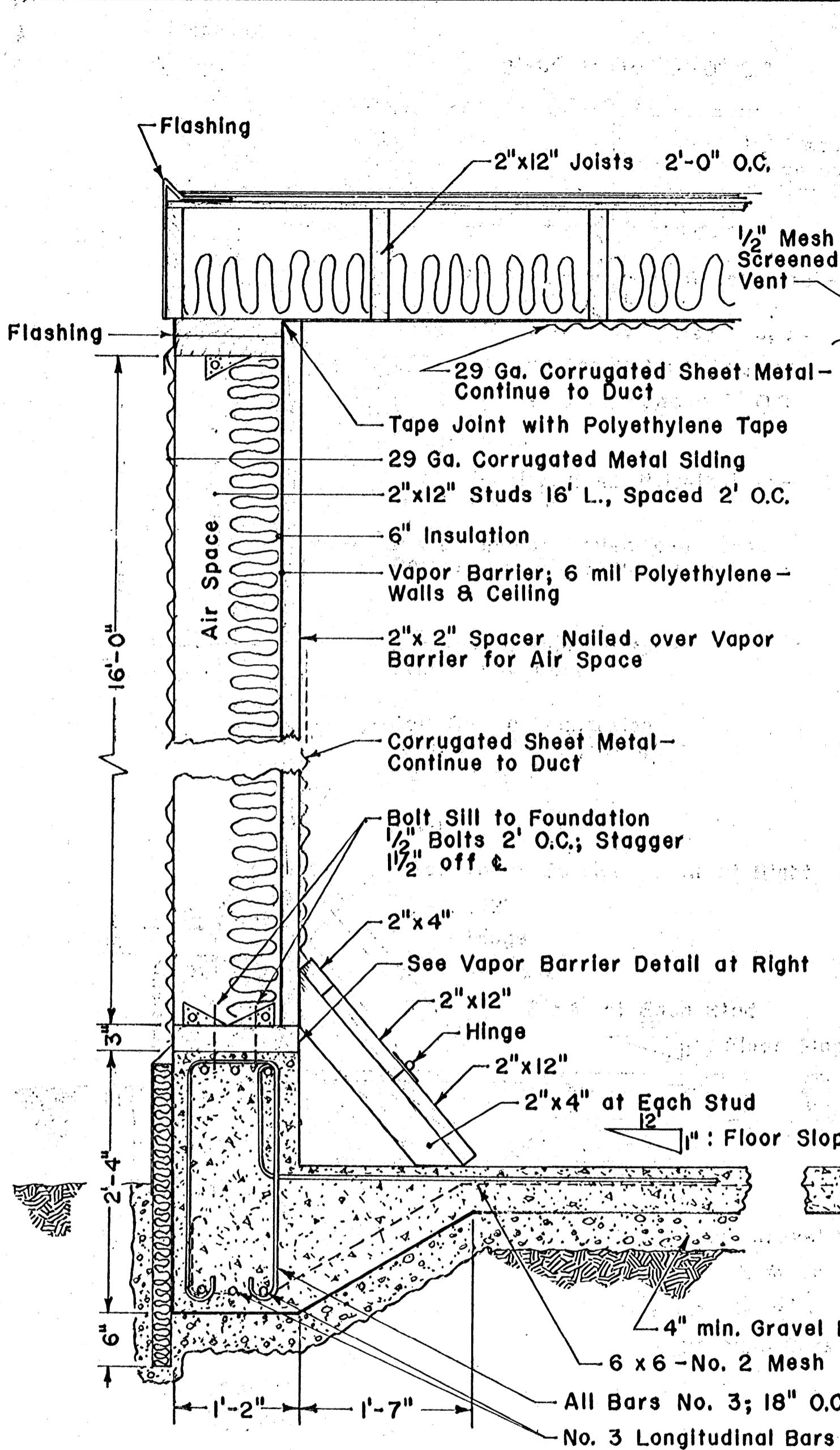
SCALE: 1" = 10'

COOPERATIVE EXTENSION WORK IN
 AGRICULTURE AND HOME ECONOMICS
 STATE OF MISSISSIPPI
 MISSISSIPPI STATE UNIVERSITY
 AND
 UNITED STATES DEPARTMENT OF AGRICULTURE COOPERATING

POTATO STORAGE
 60,000 CWT. CROSS ALLEY

ARS-TFRD EX. 6018 SHEET 3 OF 10

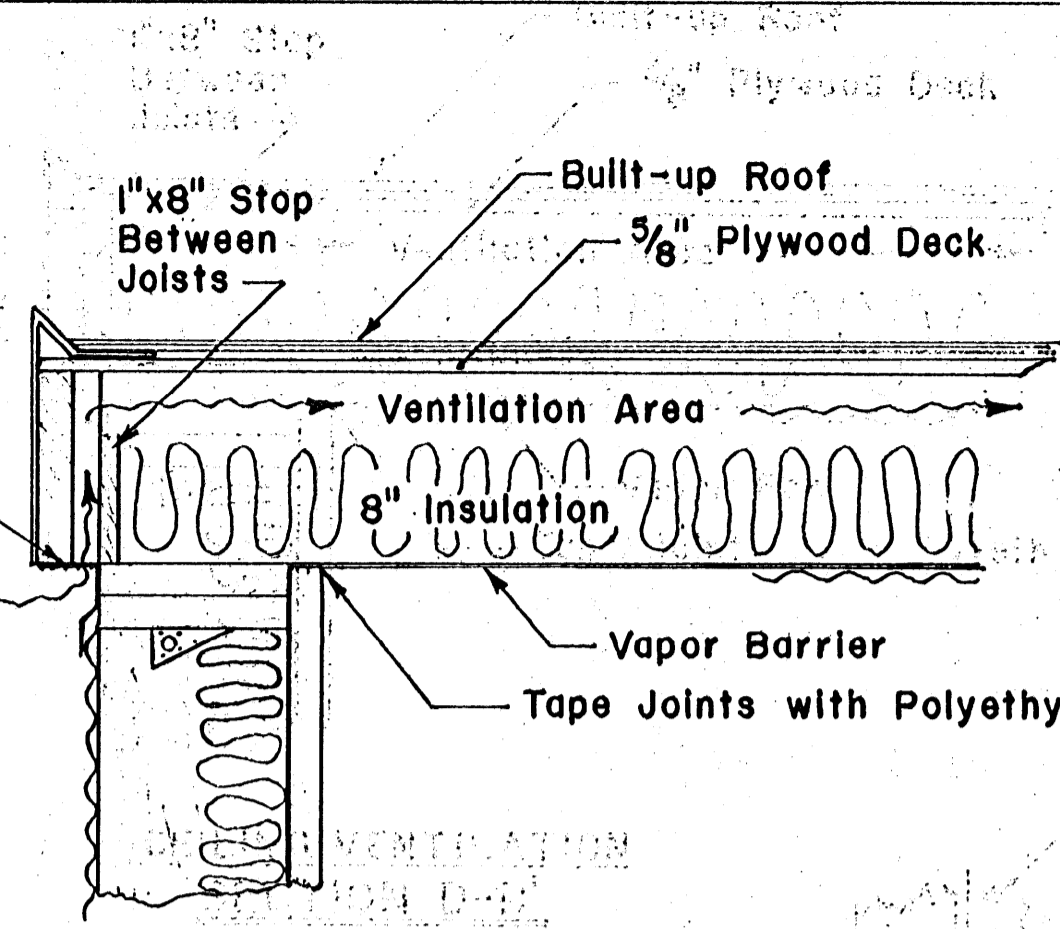
ELEVATIONS & SECTIONS



TYPICAL AIR WALL
SECTION C-C'

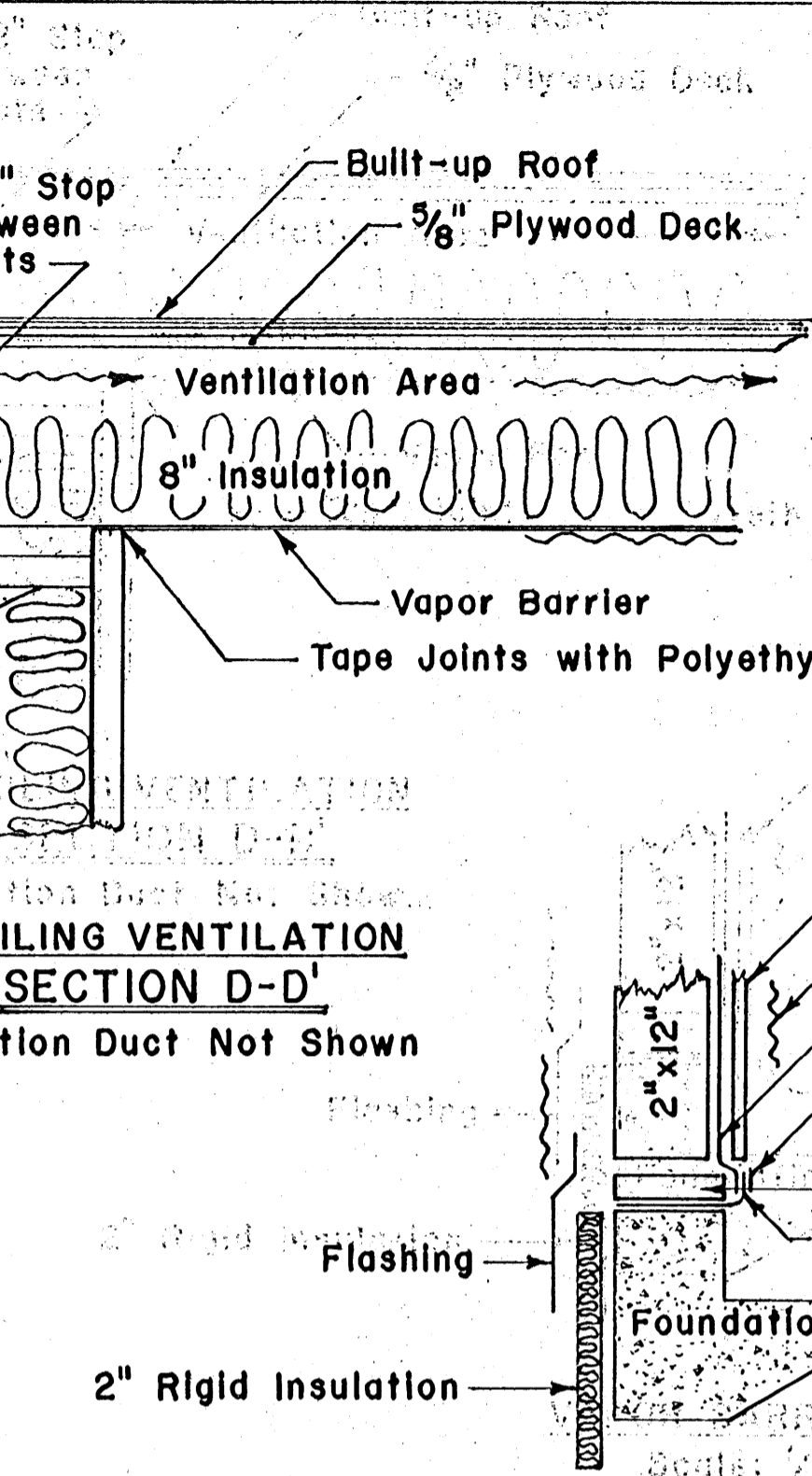
Ventilation Duct Not Shown

Caution: Many Areas Cannot Use
"Floating" Slab Foundation Shown.



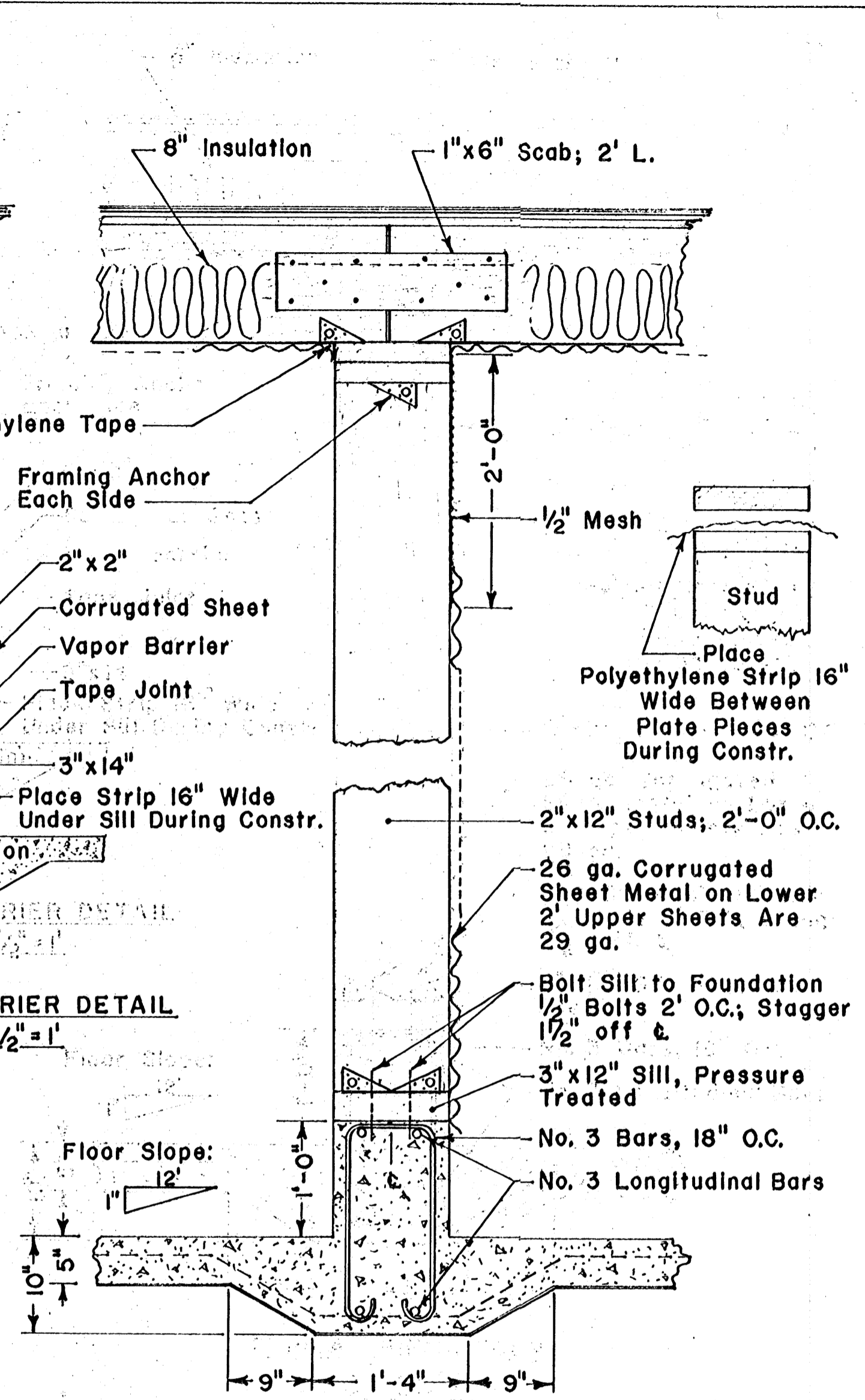
CEILING VENTILATION
SECTION D-D'

Ventilation Duct Not Shown

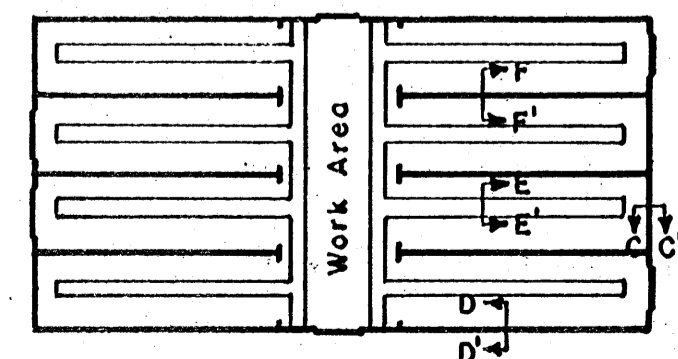


TYPICAL FLOOR TRENCH
SECTION E-E'

VAPOR BARRIER DETAIL
Scale: 1/2" = 1'



TYPICAL BIN DIVIDER
SECTION F-F'



SECTION LOCATIONS

SCALE: 1" = 1'

COOPERATIVE EXTENSION WORK IN
AGRICULTURE AND HOME ECONOMICS
STATE OF MISSISSIPPI
MISSISSIPPI STATE UNIVERSITY
AND
UNITED STATES DEPARTMENT OF AGRICULTURE COOPERATING

POTATO STORAGE
60,000 CWT. CROSS ALLEY

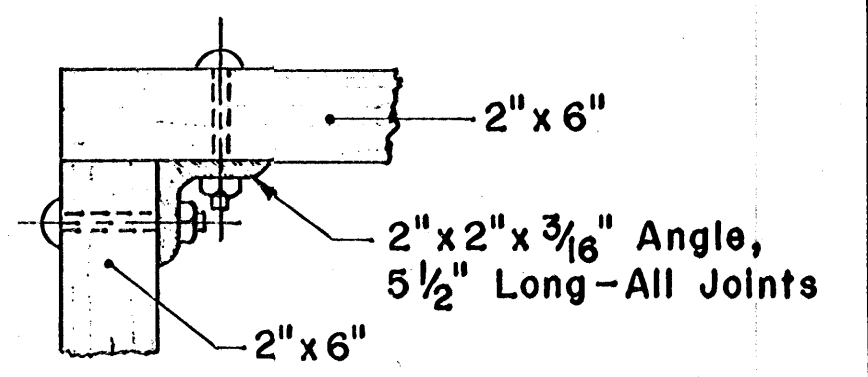
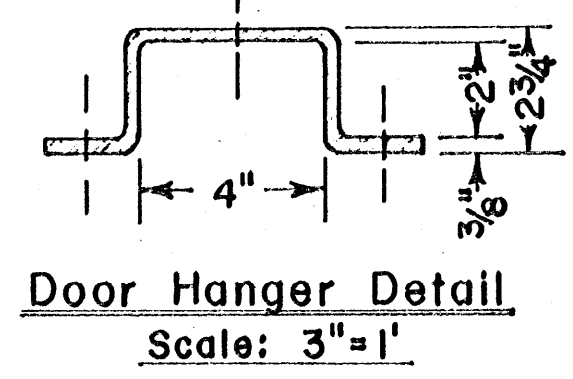
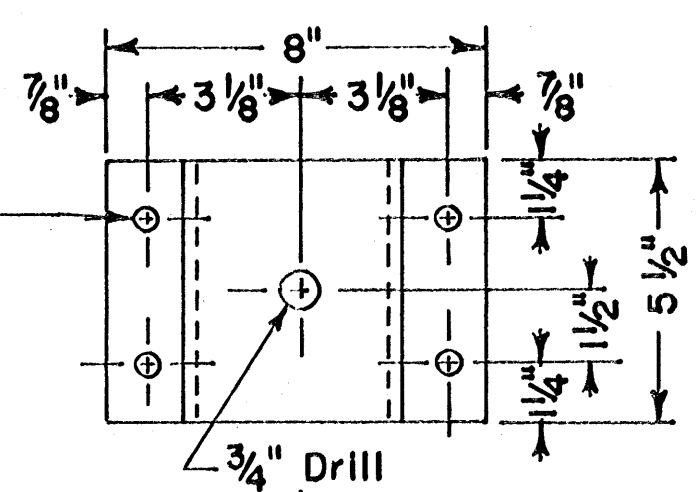
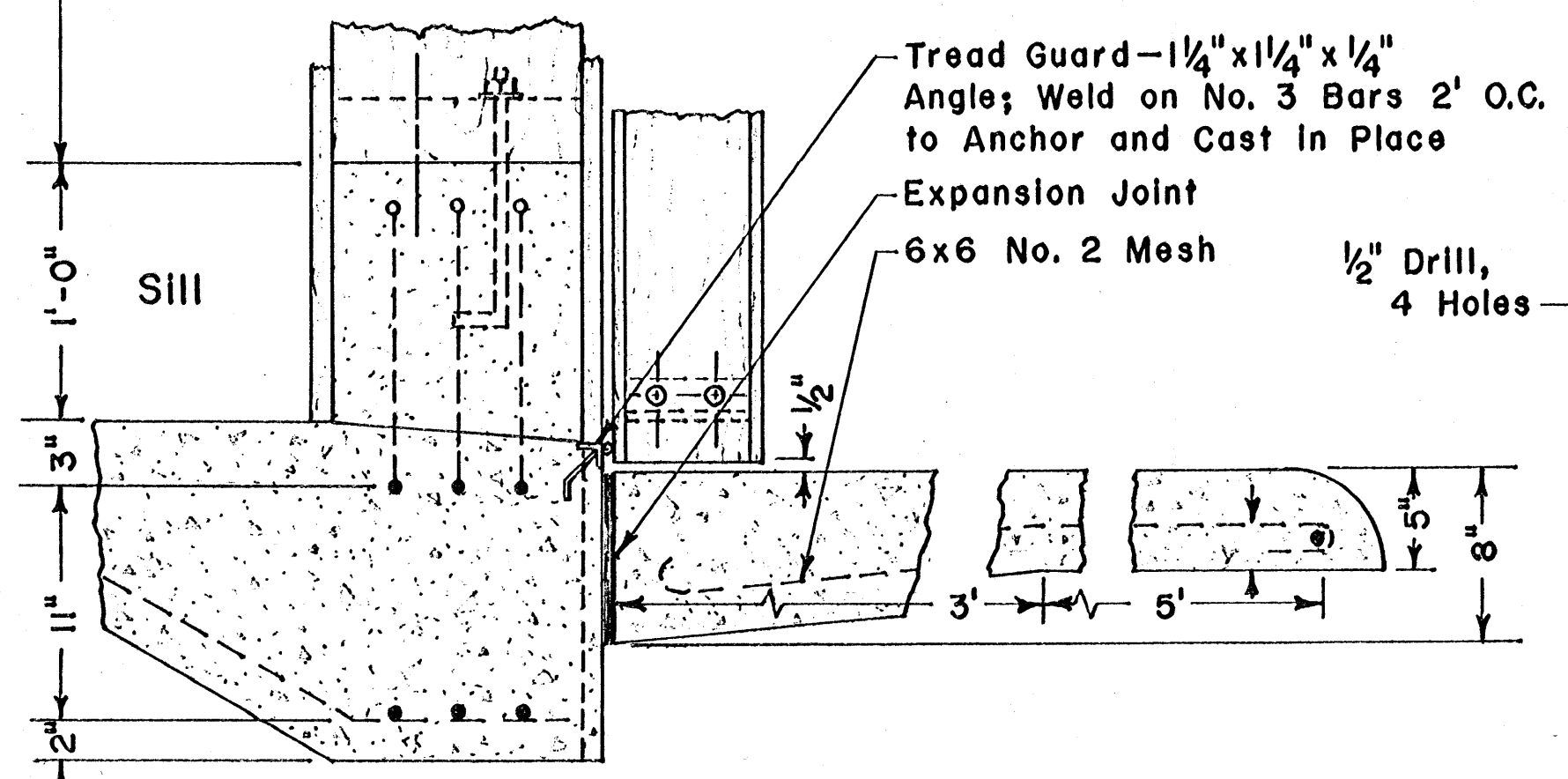
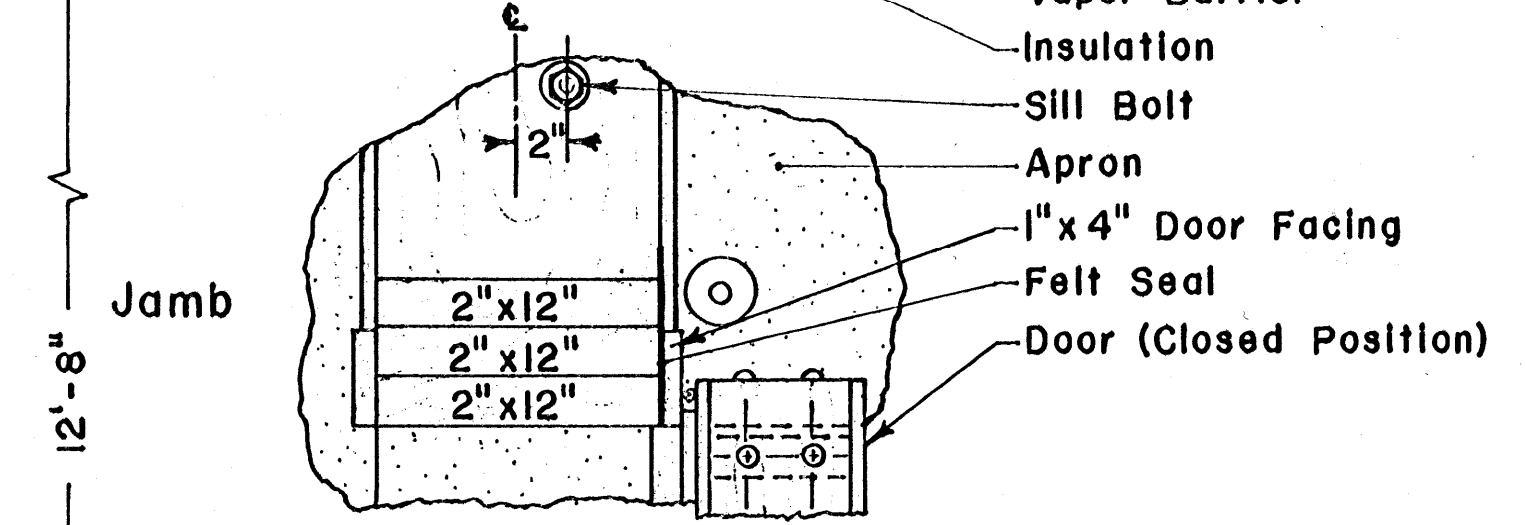
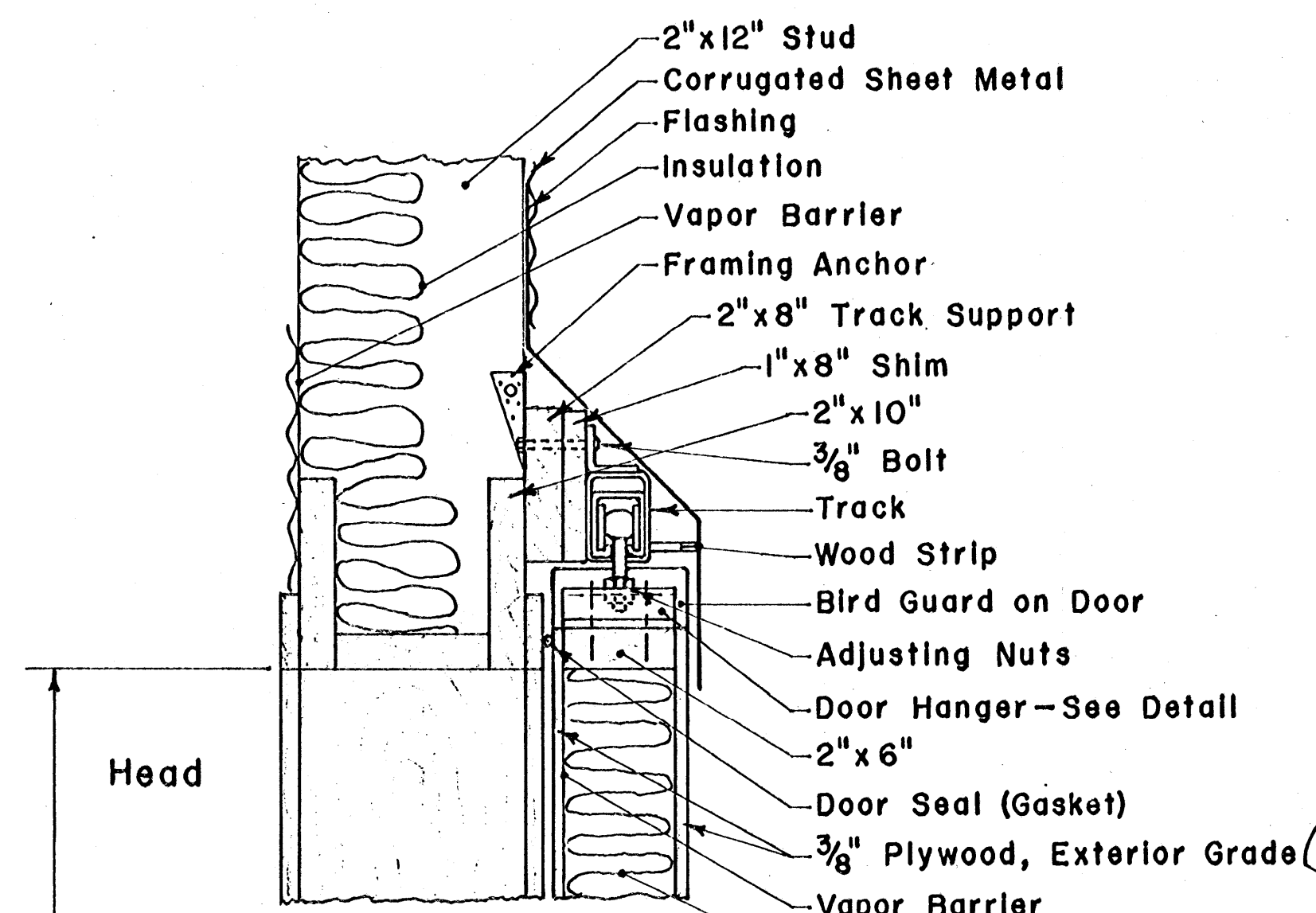
ARS-TFRD	EX. 6018	SHEET 4 OF 10
----------	----------	---------------

STRUCTURAL DETAILS

See Hanger Detail Below

See Door Detail

Door Construction Details
Bin Drive Door Shown
Do Not Scale



Door Corner Detail
Scale: 3" = 1'

Head

Jamb

Sill

Door Details
Scale: 1 1/2" = 1'

Door Hanger Detail
Scale: 3" = 1'

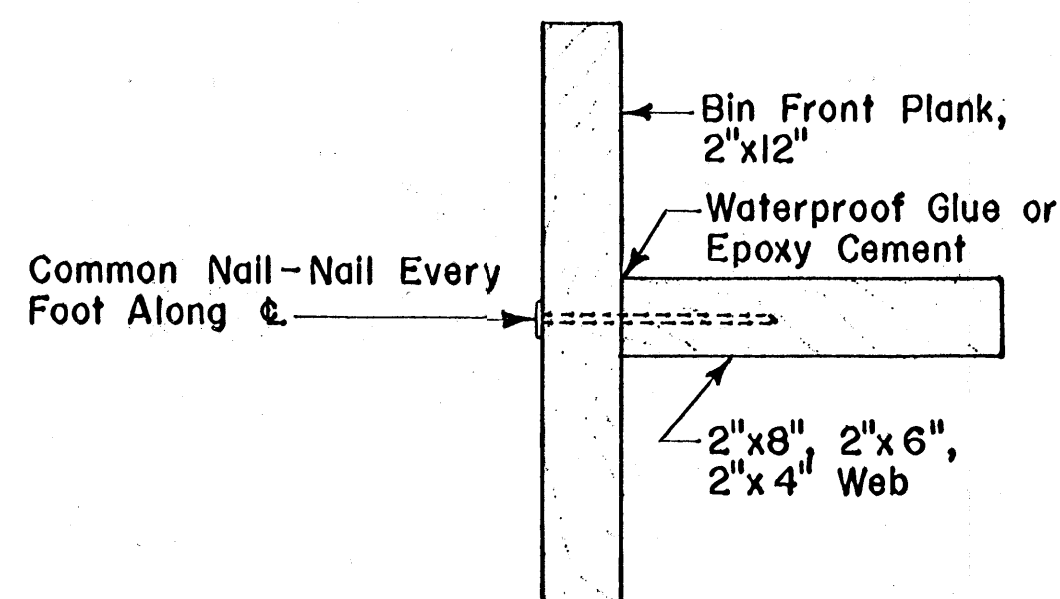
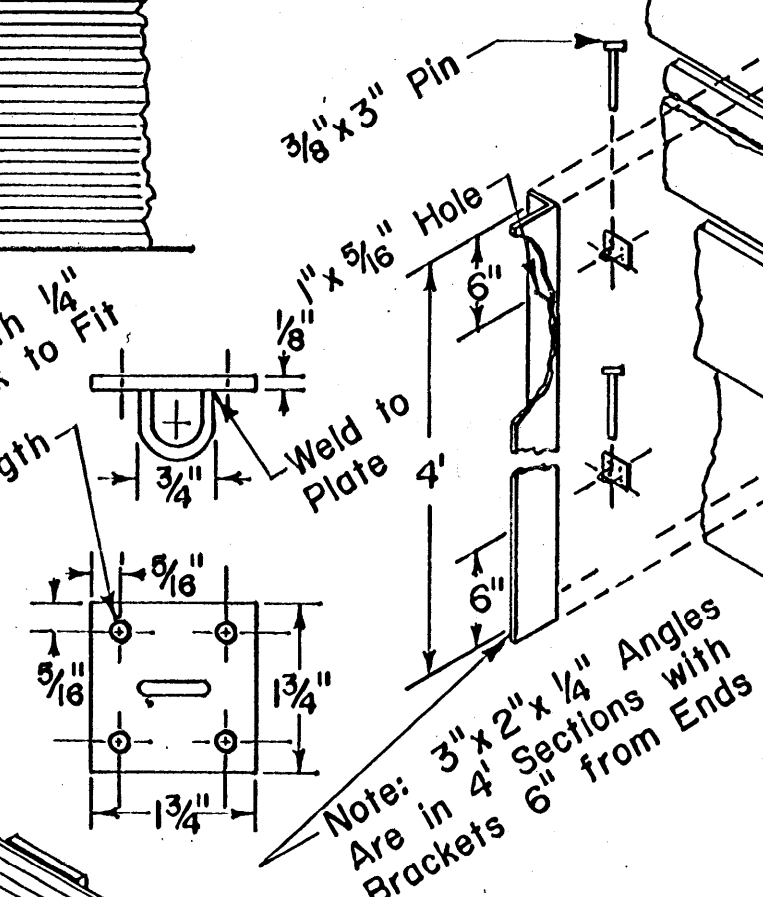
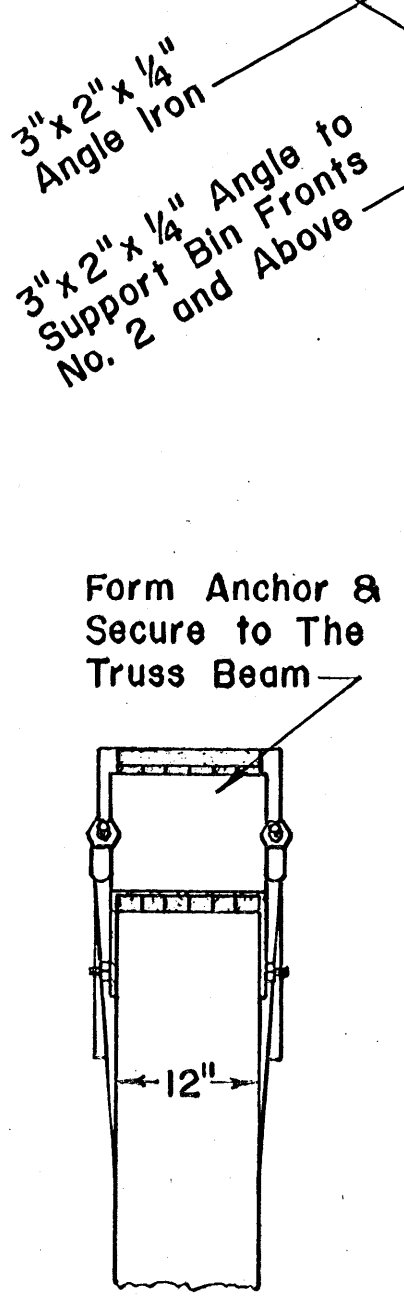
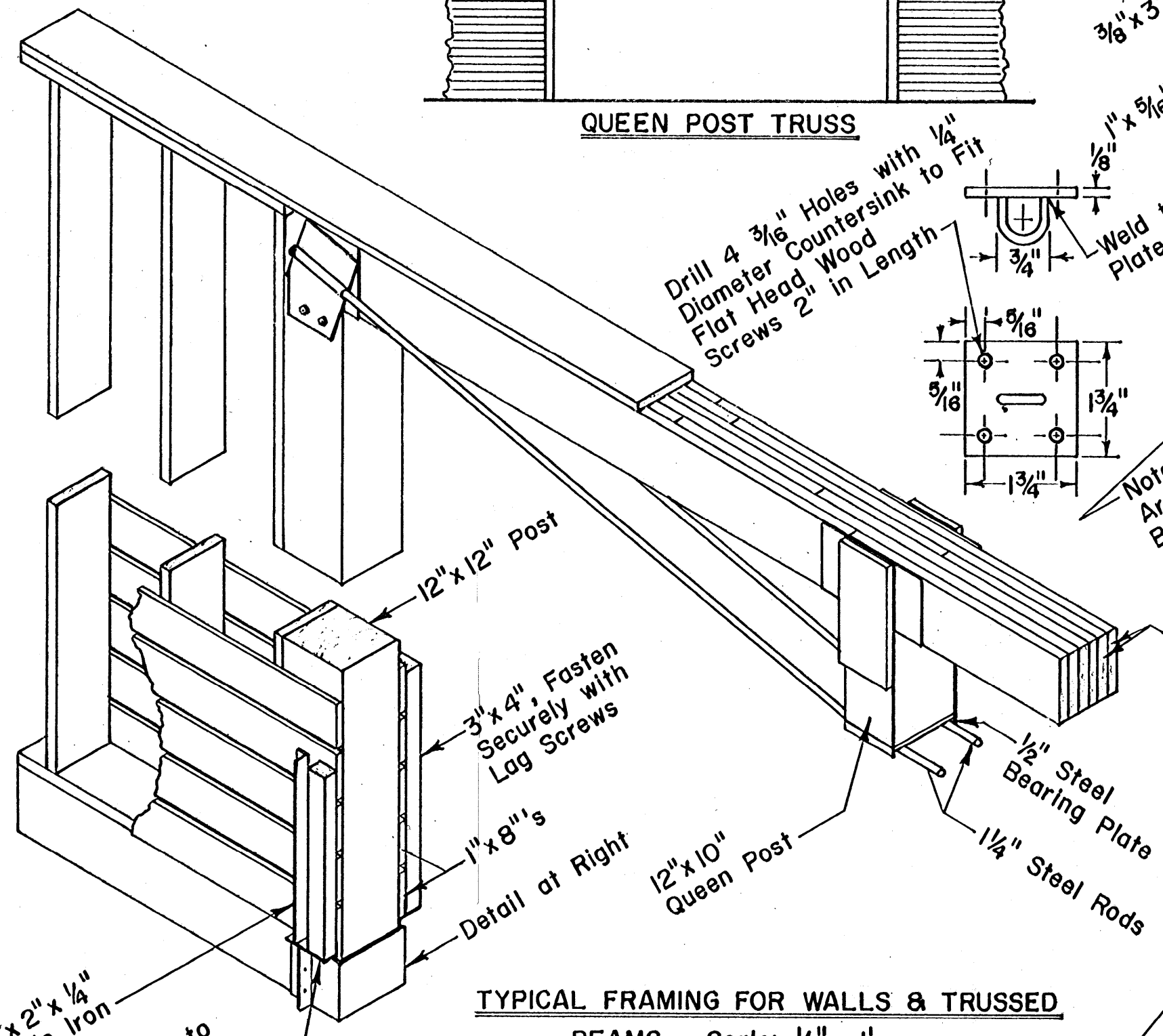
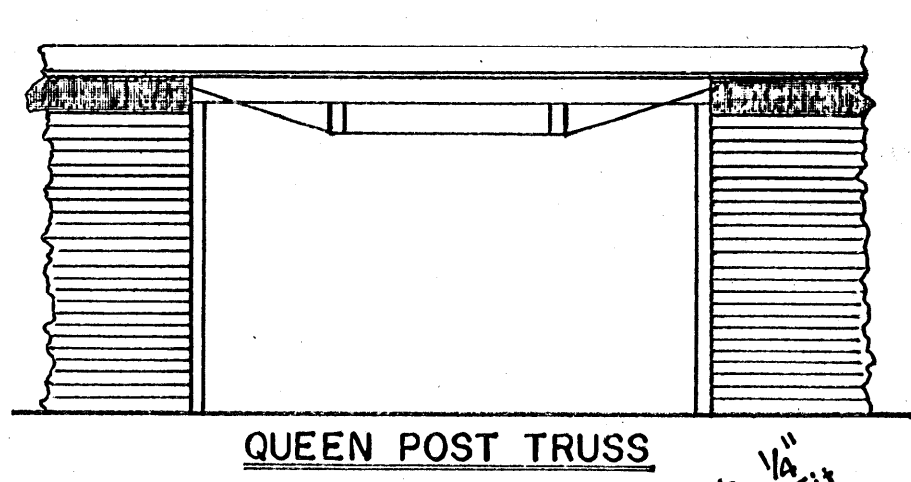
SCALE - AS SHOWN

COOPERATIVE EXTENSION WORK IN
AGRICULTURE AND HOME ECONOMICS
STATE OF MISSISSIPPI
MISSISSIPPI STATE UNIVERSITY
AND
UNITED STATES DEPARTMENT OF AGRICULTURE COOPERATING

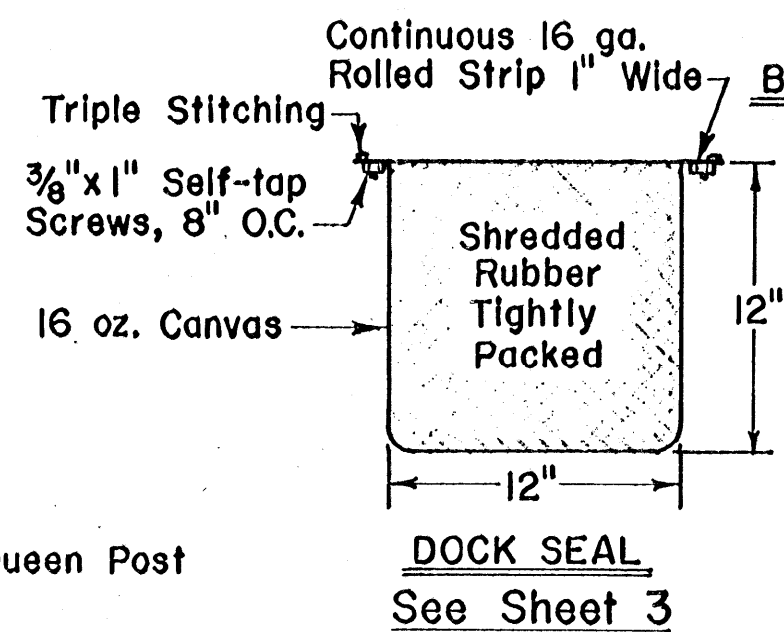
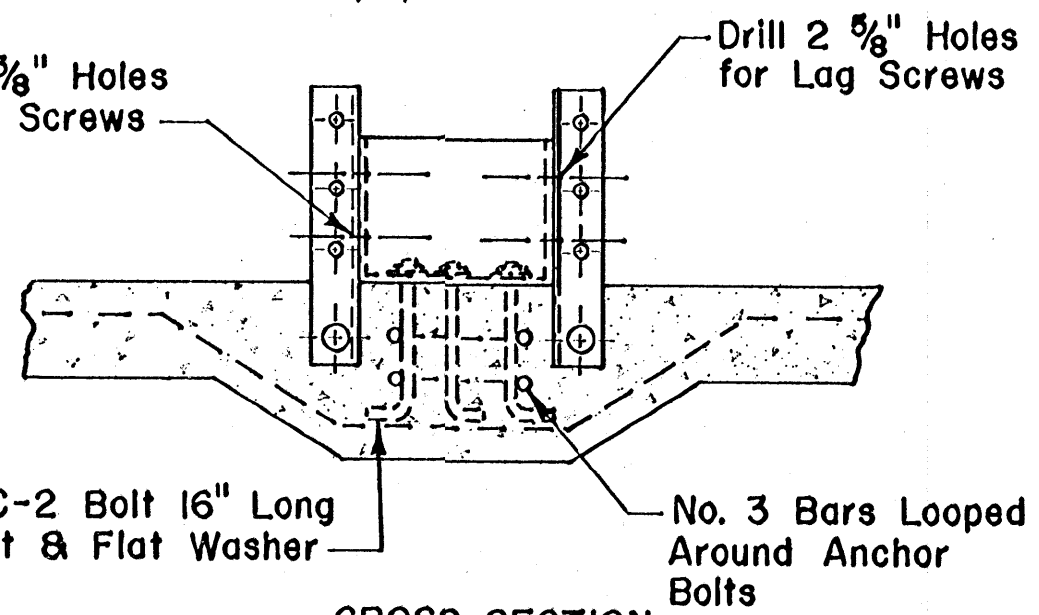
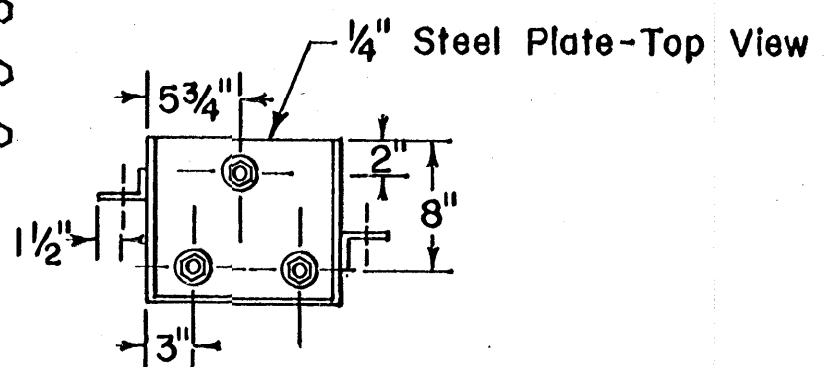
POTATO STORAGE
60,000 CWT. CROSS ALLEY

ARS-TFRD EX. 6018 SHEET 5 OF 10

SLIDING DOOR DETAILS



Note: 2"x8" Web, First 6 Planks, Use 40d Nail
2"x6" Web, Next 9 Planks, Use 20d Nail
2"x4" Web, Last 2 Planks, Use 16d Nail



SCALE AS SHOWN

COOPERATIVE EXTENSION WORK IN AGRICULTURE AND HOME ECONOMICS

STATE OF MISSISSIPPI

MISSISSIPPI STATE UNIVERSITY

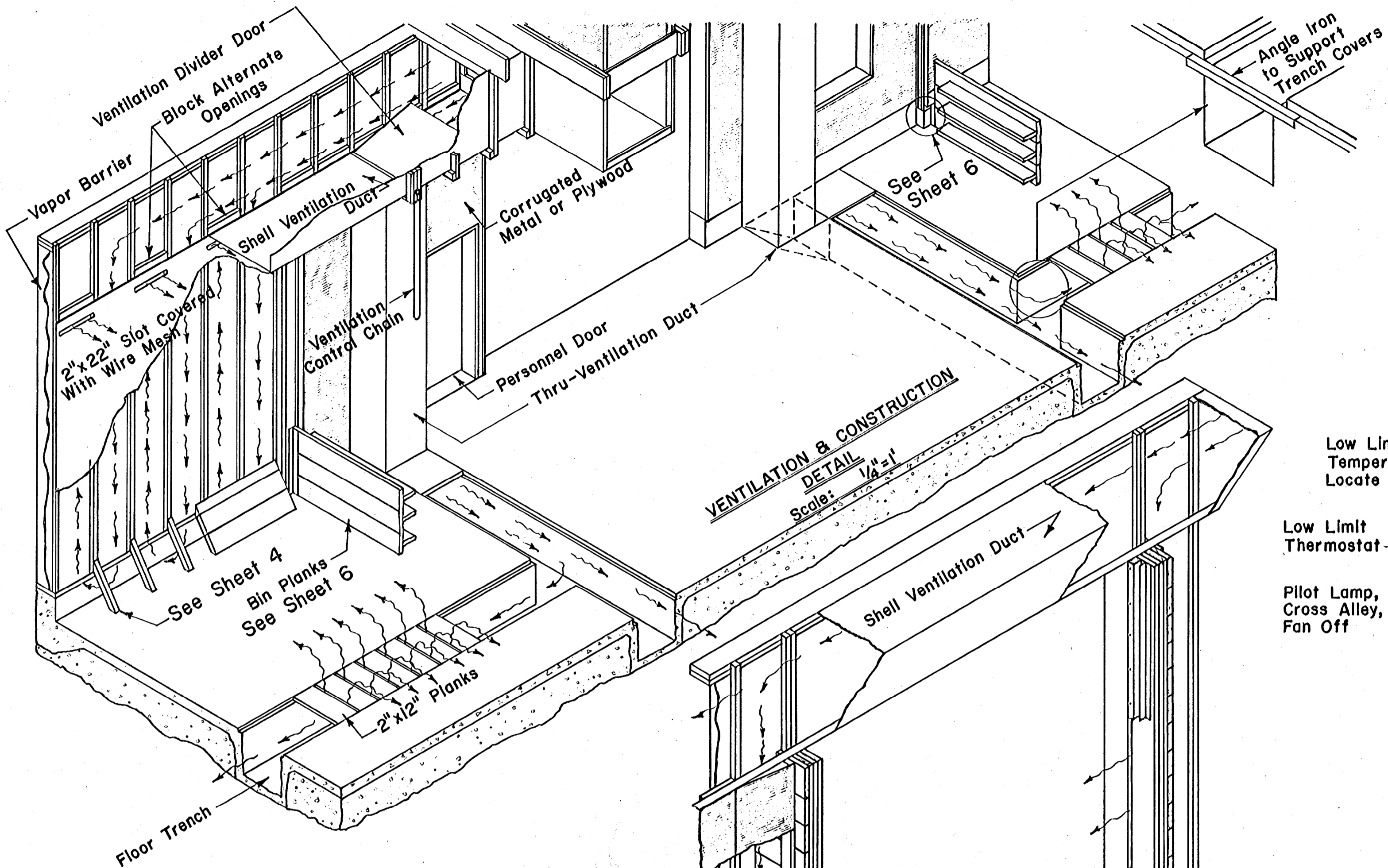
UNITED STATES DEPARTMENT OF AGRICULTURE COOPERATING

POTATO STORAGE

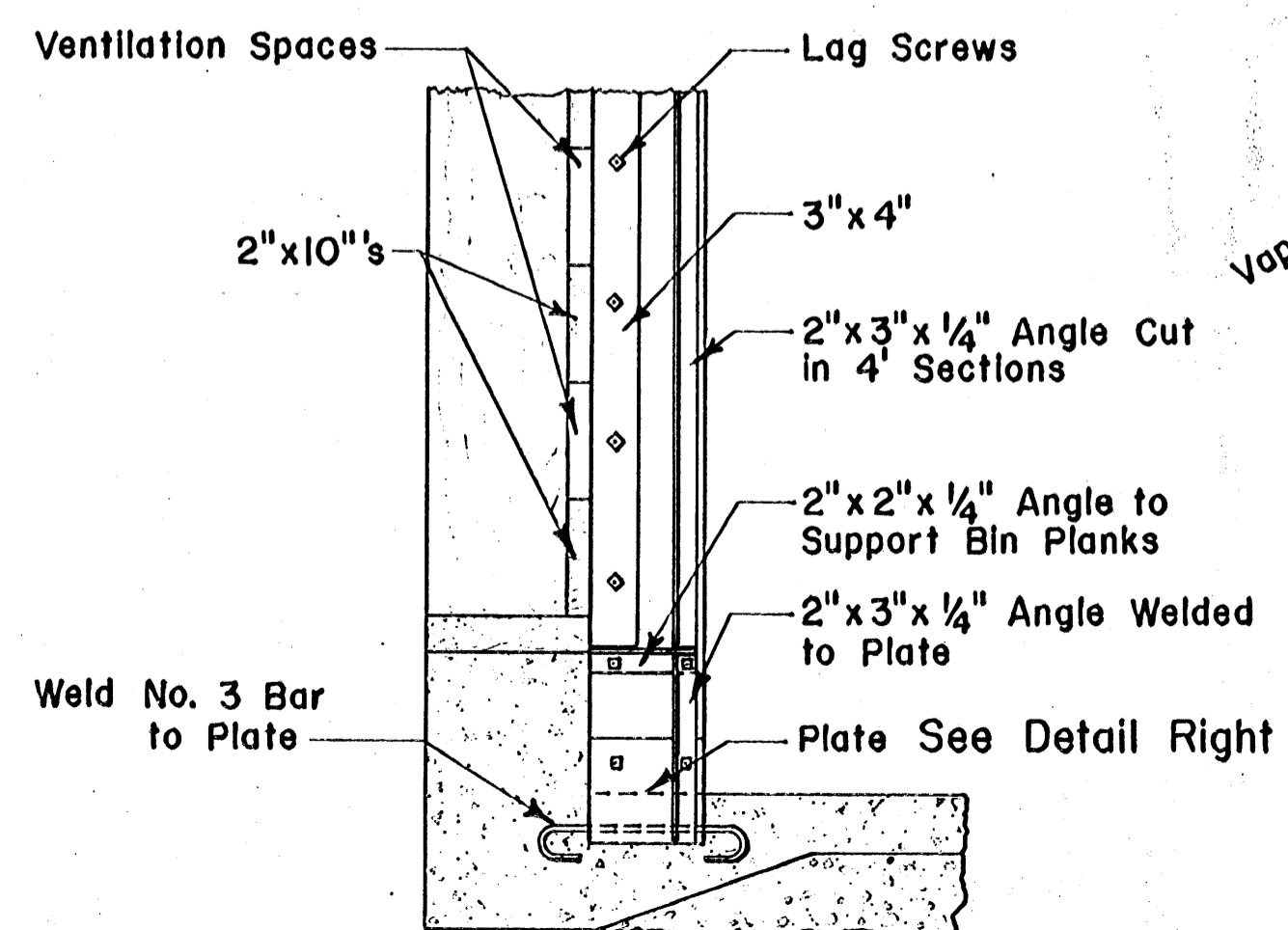
60,000 CWT. CROSS ALLEY

ARS-TFRD EX. 6018 SHEET 6 OF 10

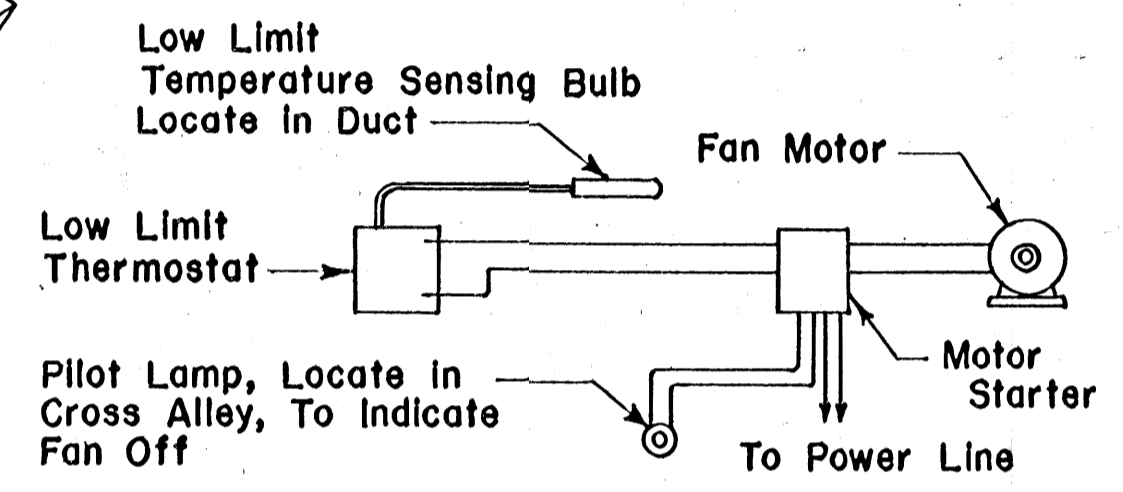
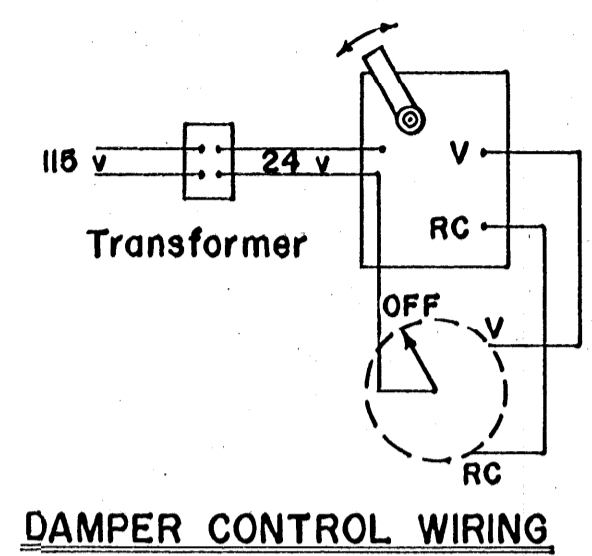
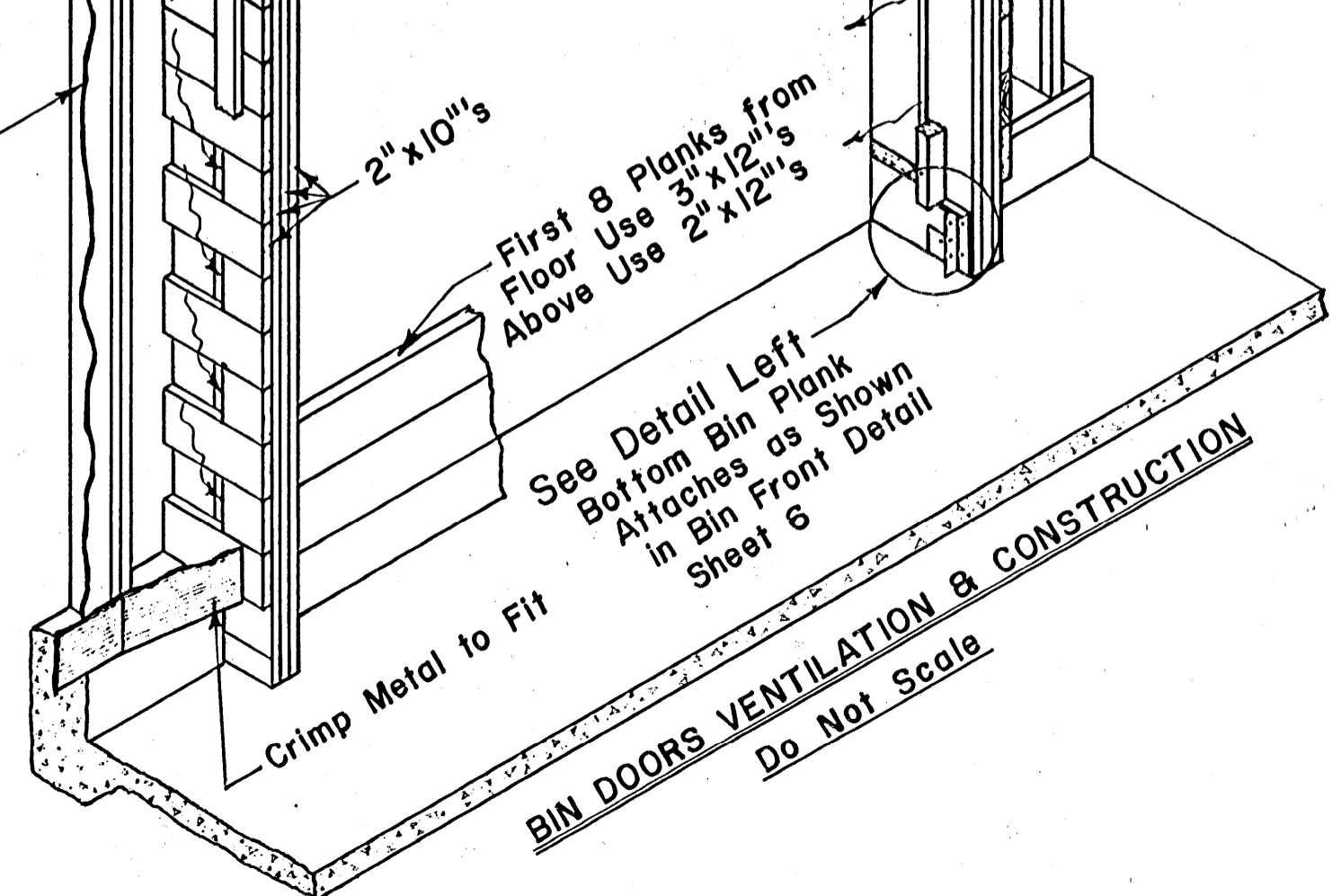
TRUSS & BIN FRONT DETAILS



VENTILATION & CONSTRUCTION
DETAIL
Scale: 1/4" = 1'



BIN FRONT DETAIL Scale: 3/4" = 1'



FAN MOTOR CONTROL WIRING

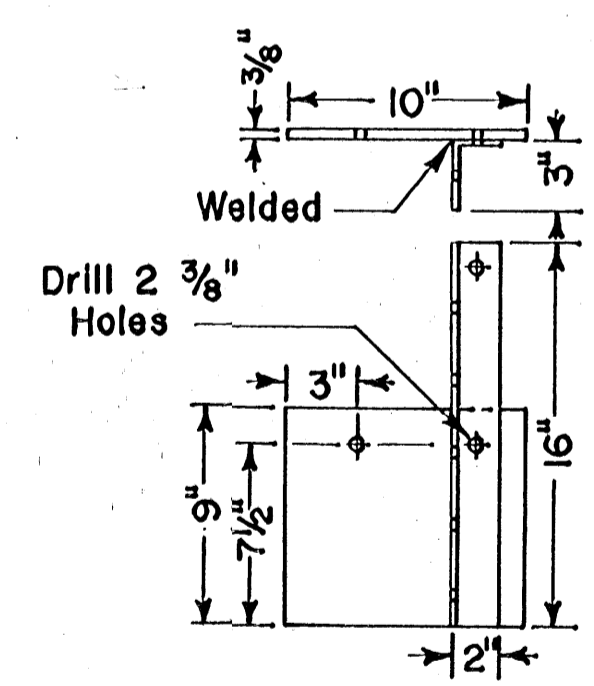
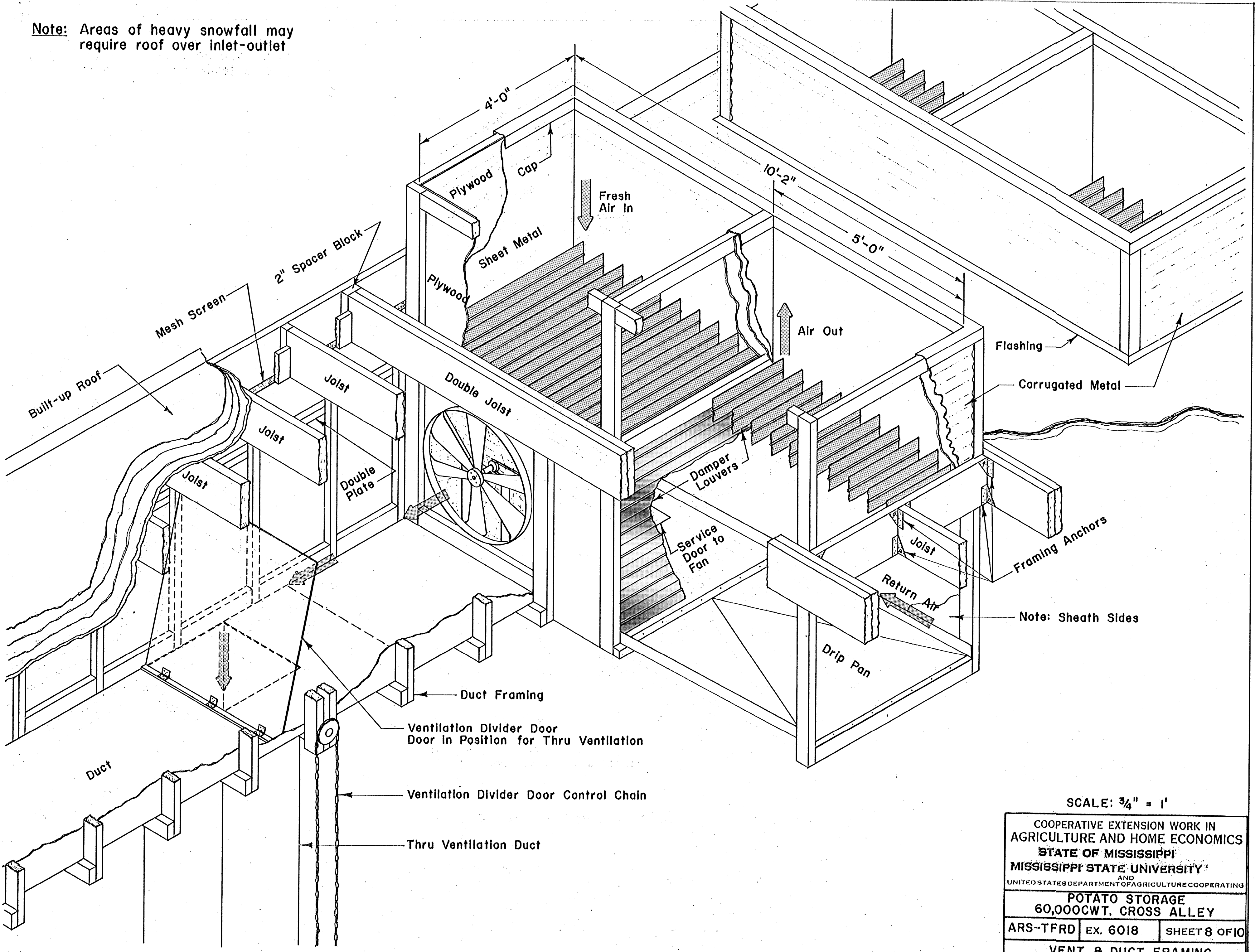


PLATE DETAIL
Scale: 1/2" = 1'

SCALE AS SHOWN

COOPERATIVE EXTENSION WORK IN AGRICULTURE AND HOME ECONOMICS		
STATE OF MISSISSIPPI		
MISSISSIPPI STATE UNIVERSITY		
UNITED STATES DEPARTMENT OF AGRICULTURE COOPERATING		
POTATO STORAGE		
60,000 CWT. CROSS ALLEY		
ARS-TRFD	EX. 6018	SHEET 7 OF 10
VENTILATION & CONSTRUCTION		

Note: Areas of heavy snowfall may require roof over inlet-outlet



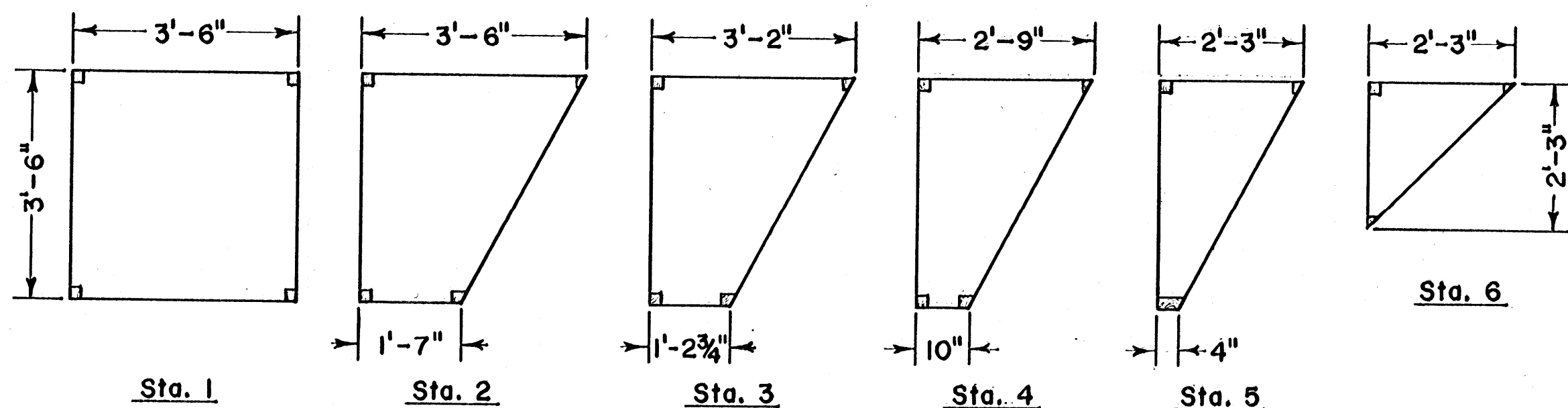
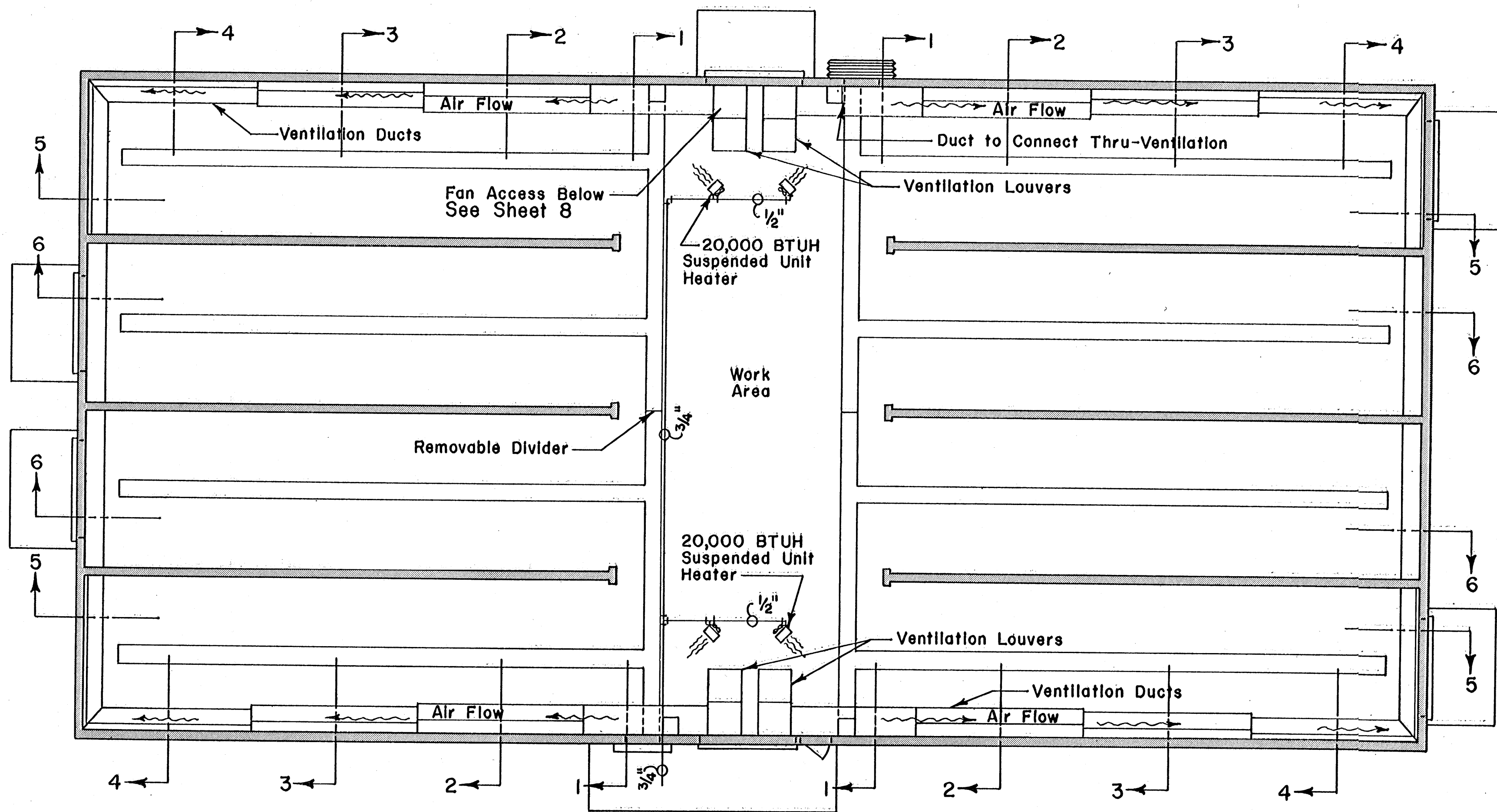
SCALE: 3/4" = 1'

COOPERATIVE EXTENSION WORK IN
 AGRICULTURE AND HOME ECONOMICS
 STATE OF MISSISSIPPI
 MISSISSIPPI STATE UNIVERSITY
 AND
 UNITED STATES DEPARTMENT OF AGRICULTURE COOPERATING

POTATO STORAGE
 60,000 CWT. CROSS ALLEY

ARS-TFRD | EX. 6018 | SHEET 8 OF 10

VENT & DUCT FRAMING



DUCT SECTIONS AT VARIOUS STATIONS

Scale: 1/2" = 1'

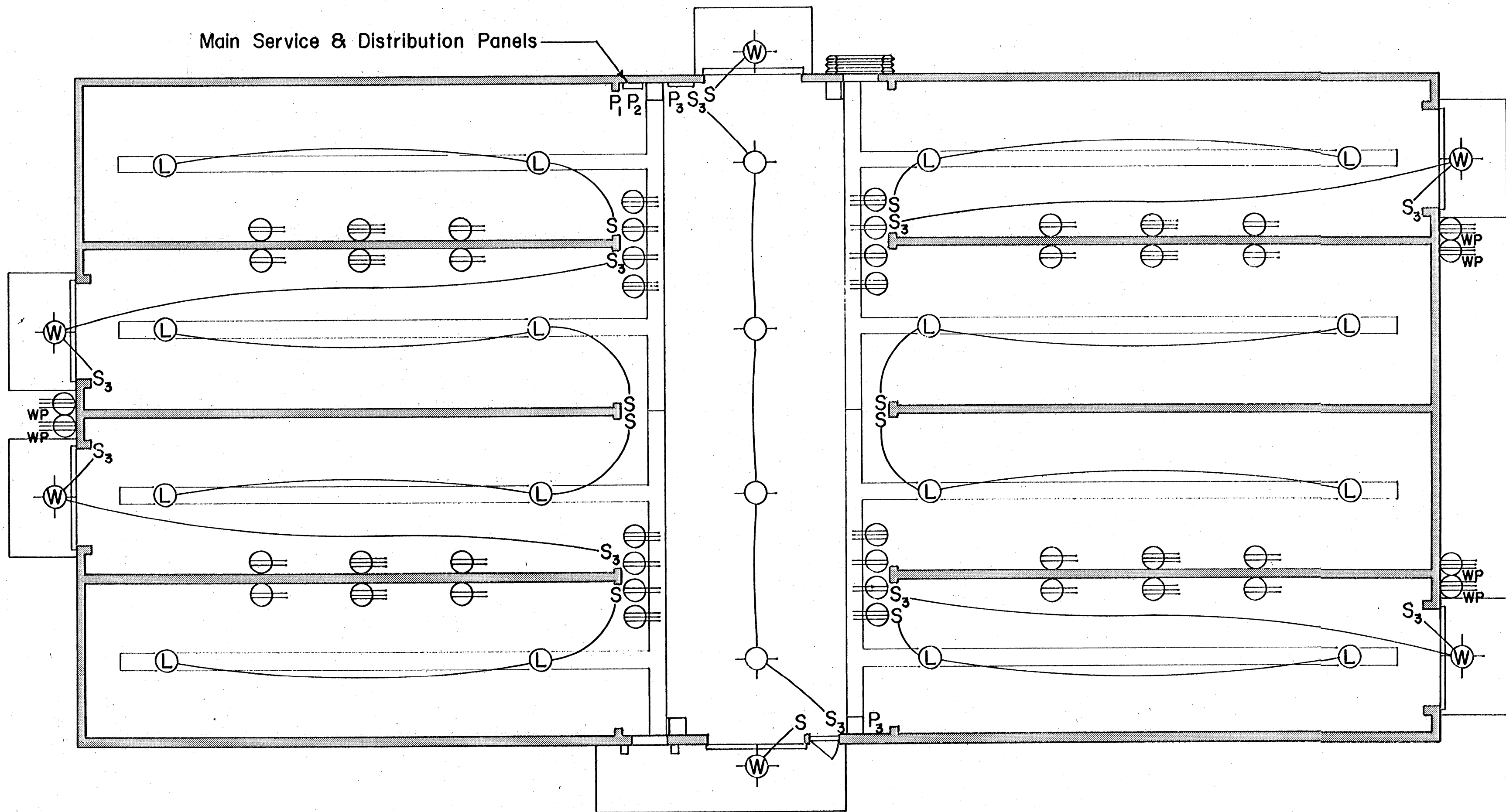
SCALE: 1" = 10'

COOPERATIVE EXTENSION WORK, IN
 AGRICULTURE AND HOME ECONOMICS
 STATE OF MISSISSIPPI
 MISSISSIPPI STATE UNIVERSITY
 AND
 UNITED STATES DEPARTMENT OF AGRICULTURE COOPERATING

POTATO STORAGE
 60,000 CWT. CROSS ALLEY

ARS-TFRD EX. 6018 SHEET 9 OF 10

HEATING & VENTILATION



Legend

- Ⓛ Ceiling Lamp, 100w., Vaporproof
- Ⓦ Floodlamp, 1000w., Waterproof
- Floodlamp, 1000w.
- ⊖ Duplex Outlet, 110v., 1 φ, Grounded
- ⊖ Duplex Outlet, 208v., 3 φ, or 230v., 1 φ, Grounded
- ⊖_{WP} Duplex Outlet, 208v., 3 φ, or 230v., 1 φ, Grounded & Weatherproof

- S Single Pole Switch
- S₃ Single Pole Switch, 3-way
- P₁ Main Service Panel
- P₂ Distribution Panel
- P₃ Panel, Wall-mounted under Air Intake for Ventilation Controls

SCALE: 1" = 10'

COOPERATIVE EXTENSION WORK IN AGRICULTURE AND HOME ECONOMICS STATE OF MISSISSIPPI MISSISSIPPI STATE UNIVERSITY AND UNITED STATES DEPARTMENT OF AGRICULTURE COOPERATING		
POTATO STORAGE 60,000CWT. CROSS ALLEY		
ARS-TFRD	EX. 6018	SHEET 10 OF 10
ELECTRICAL		