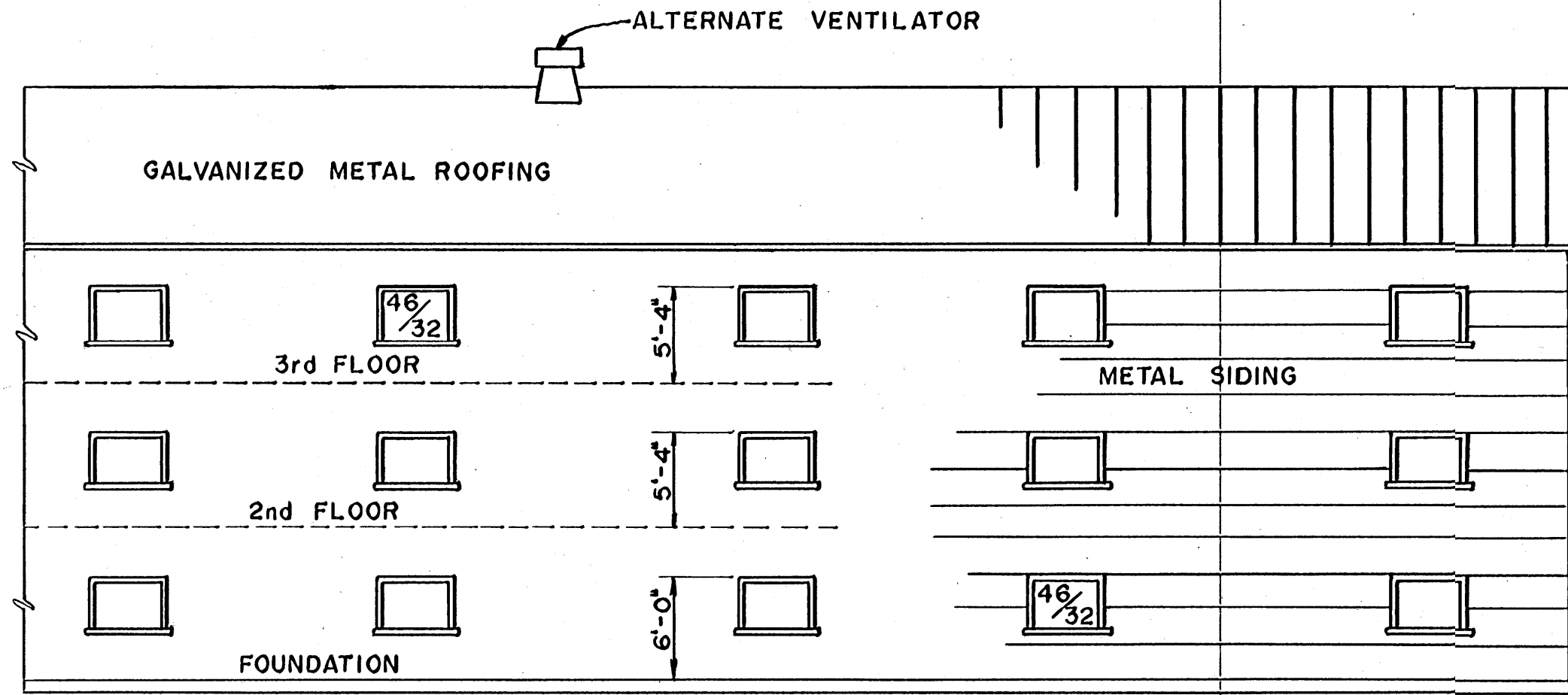
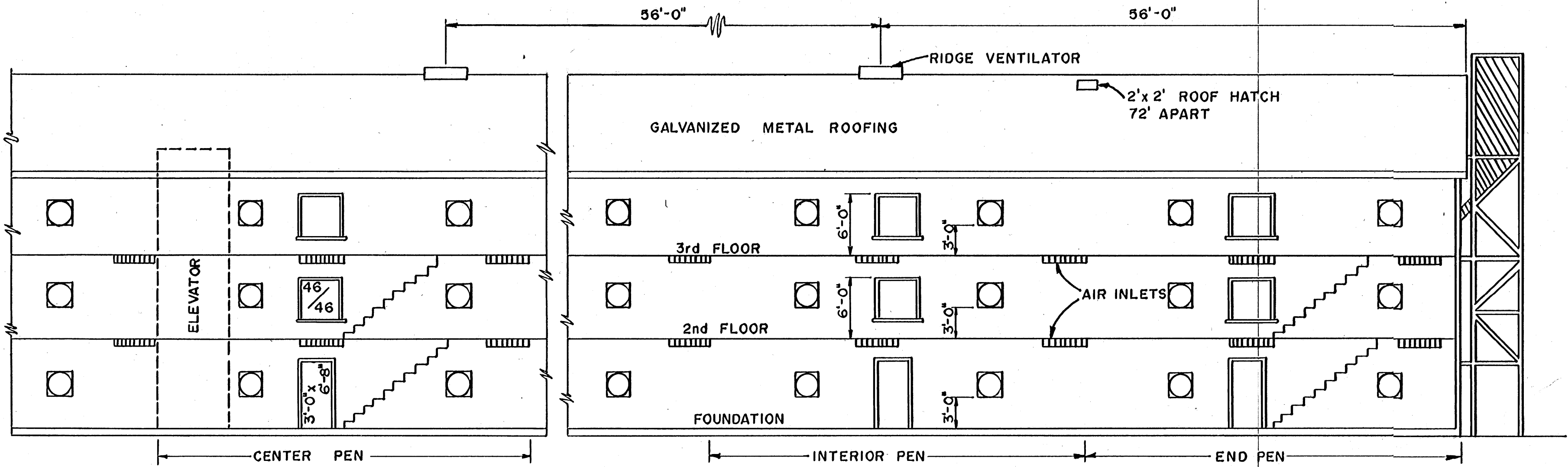


END ELEVATION



NORTH ELEVATION



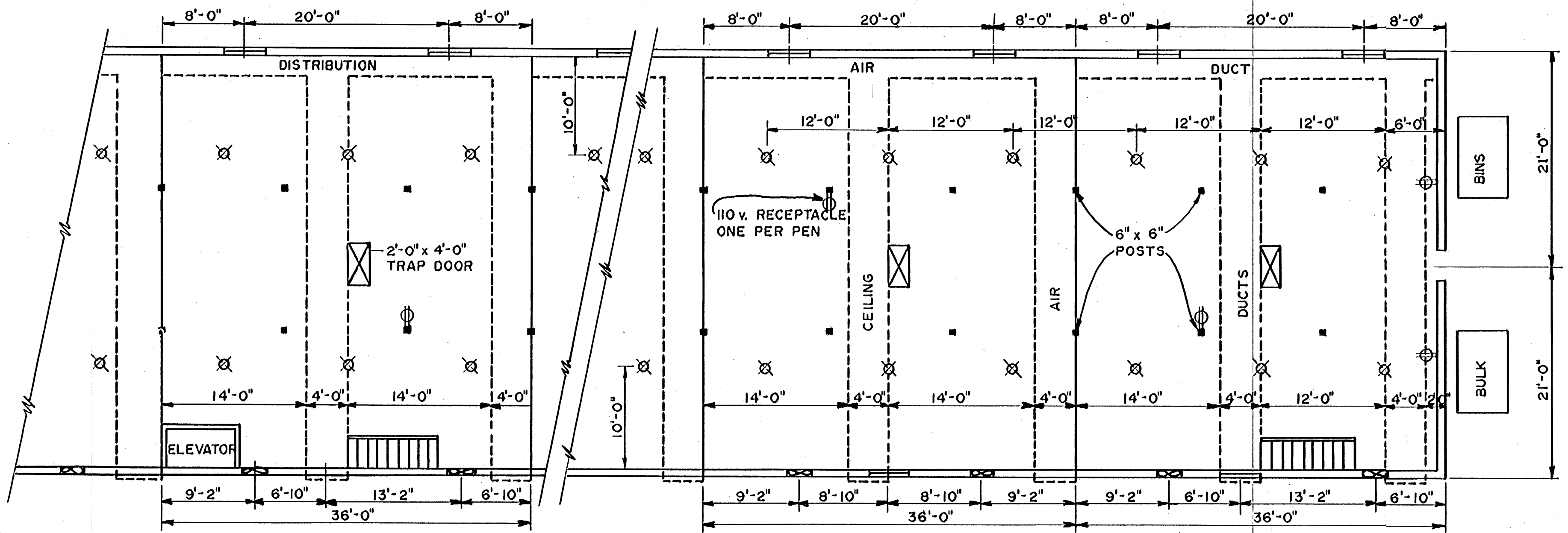
SOUTH ELEVATION

SCALE: $\frac{1}{8}'' = 1'-0''$

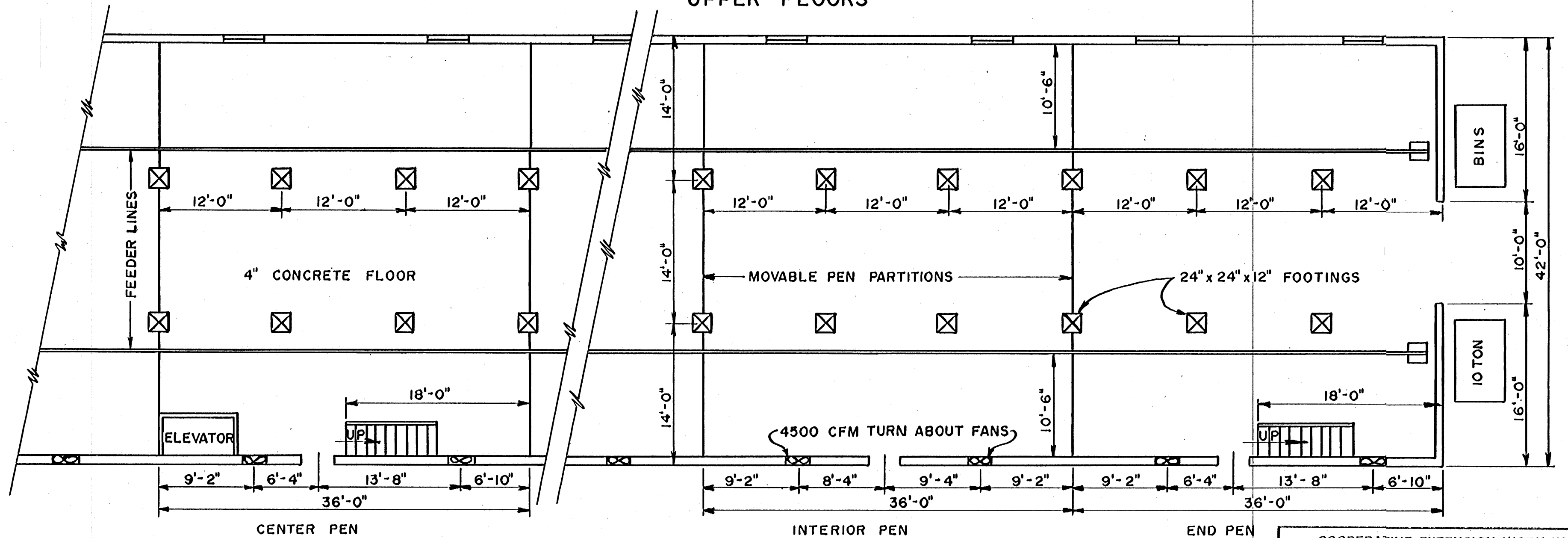
COOPERATIVE EXTENSION WORK IN
 AGRICULTURE AND HOME ECONOMICS
 STATE OF MISSISSIPPI
 MISSISSIPPI STATE UNIVERSITY
 AND
 UNITED STATES DEPARTMENT OF AGRICULTURE COOPERATING

3 STORY BROILER HOUSE

DEL. '67	EX. 6036	SHEET 1 OF 5
----------	----------	--------------



UPPER FLOORS

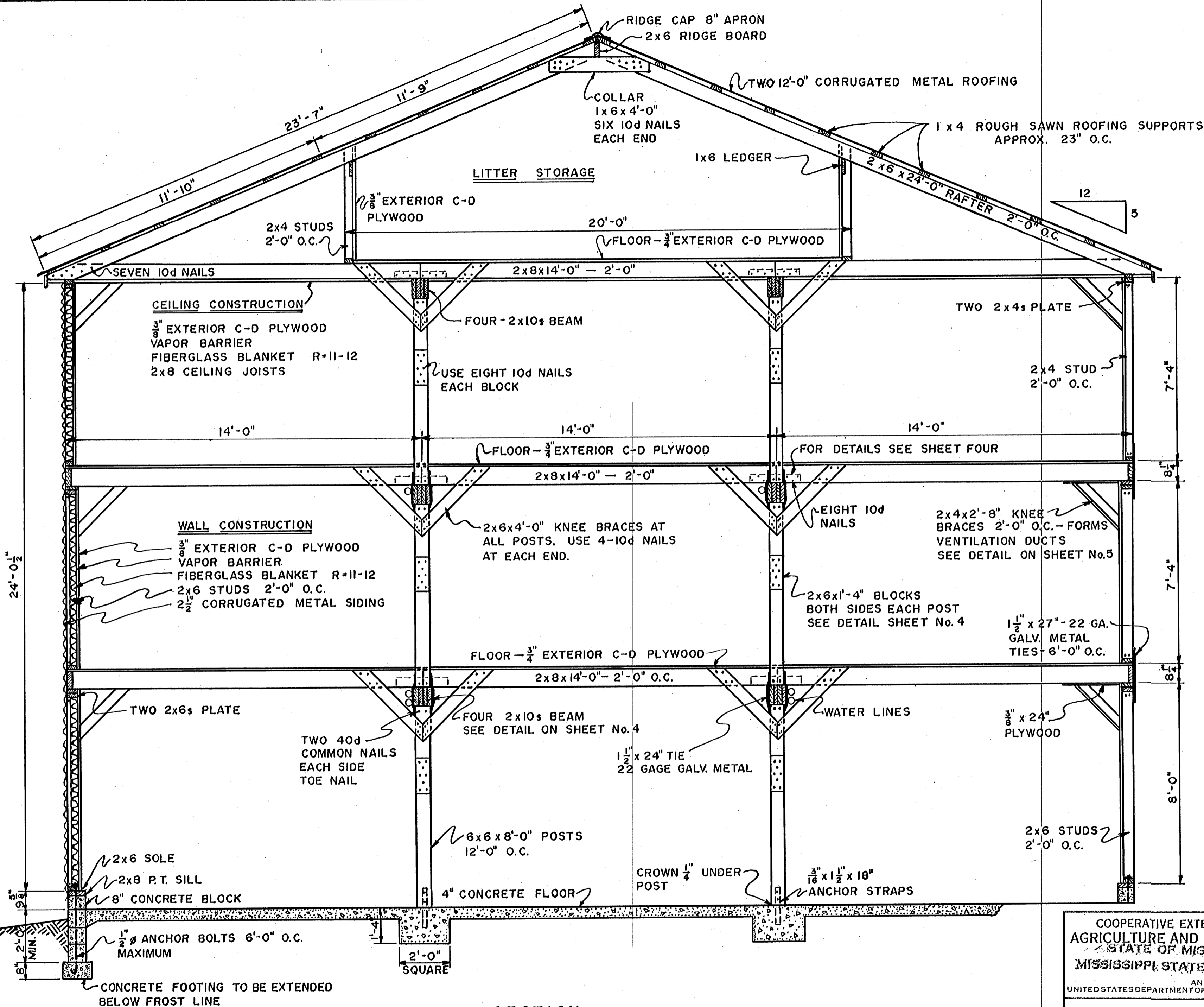


GROUND FLOOR PLAN
SCALE: $\frac{1}{8}'' = 1'-0''$

COOPERATIVE EXTENSION WORK IN
AGRICULTURE AND HOME ECONOMICS
STATE OF MISSISSIPPI
MISSISSIPPI STATE UNIVERSITY
AND
UNITED STATES DEPARTMENT OF AGRICULTURE COOPERATING

3 STORY BROILER HOUSE

DEL. '67 EX 6036 SHEET 2 OF 5

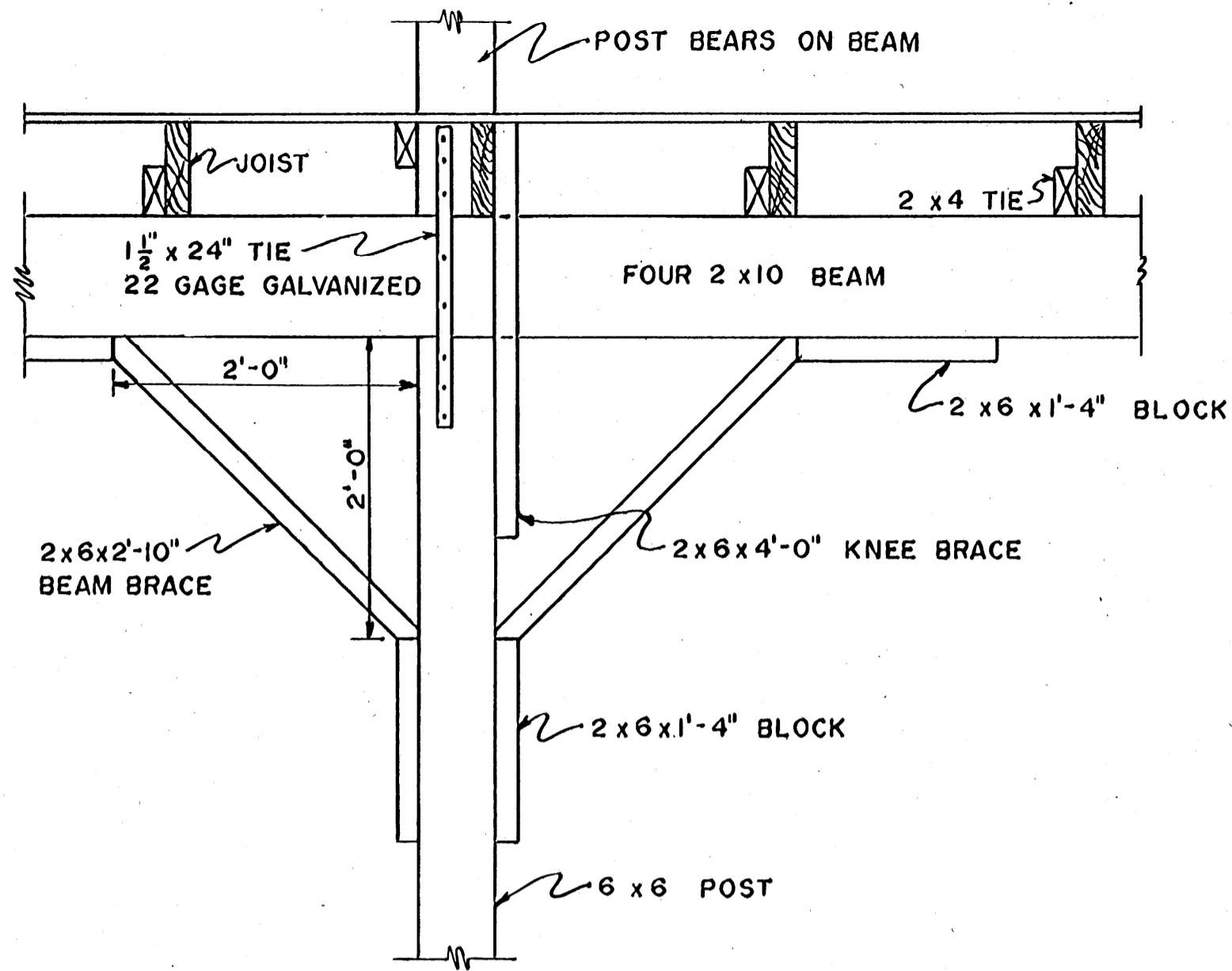


SECTION
SCALE: $\frac{3}{8}'' = 1'-0''$

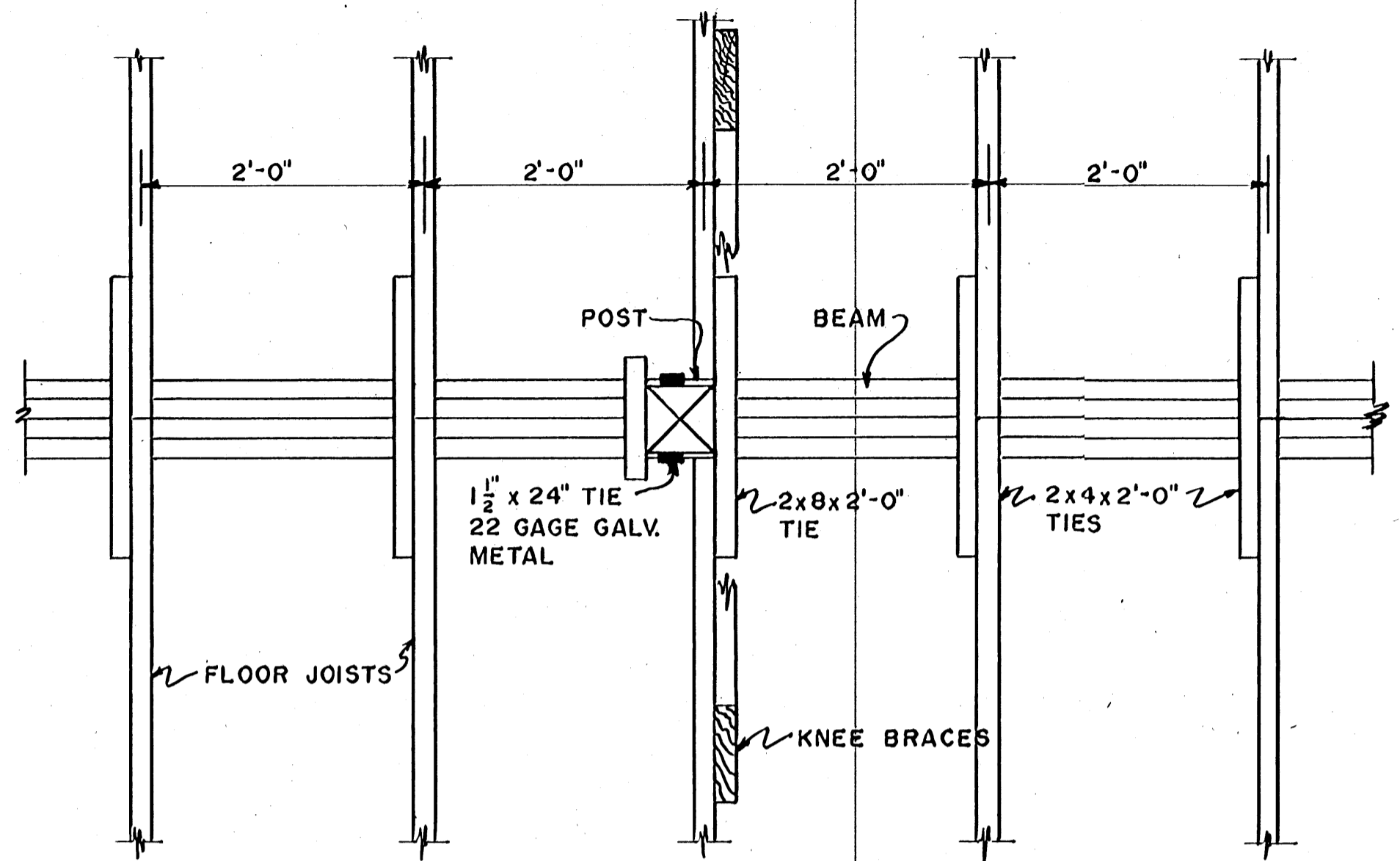
COOPERATIVE EXTENSION WORK IN
AGRICULTURE AND HOME ECONOMICS
STATE OF MISSISSIPPI
MISSISSIPPI STATE UNIVERSITY
AND
UNITED STATES DEPARTMENT OF AGRICULTURE COOPERATING

3 STORY BROILER HOUSE

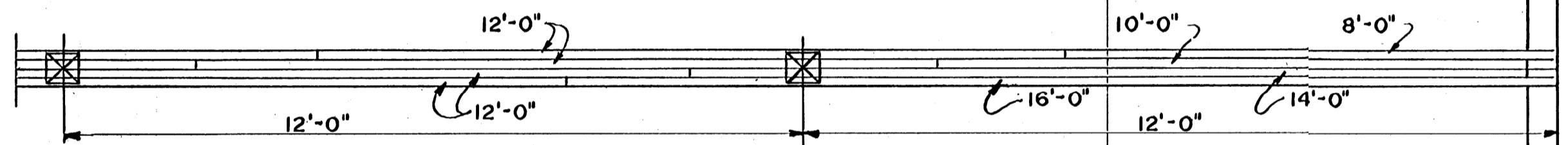
DEL. '67	EX. 6036	SHEET 3 OF 5
----------	----------	--------------



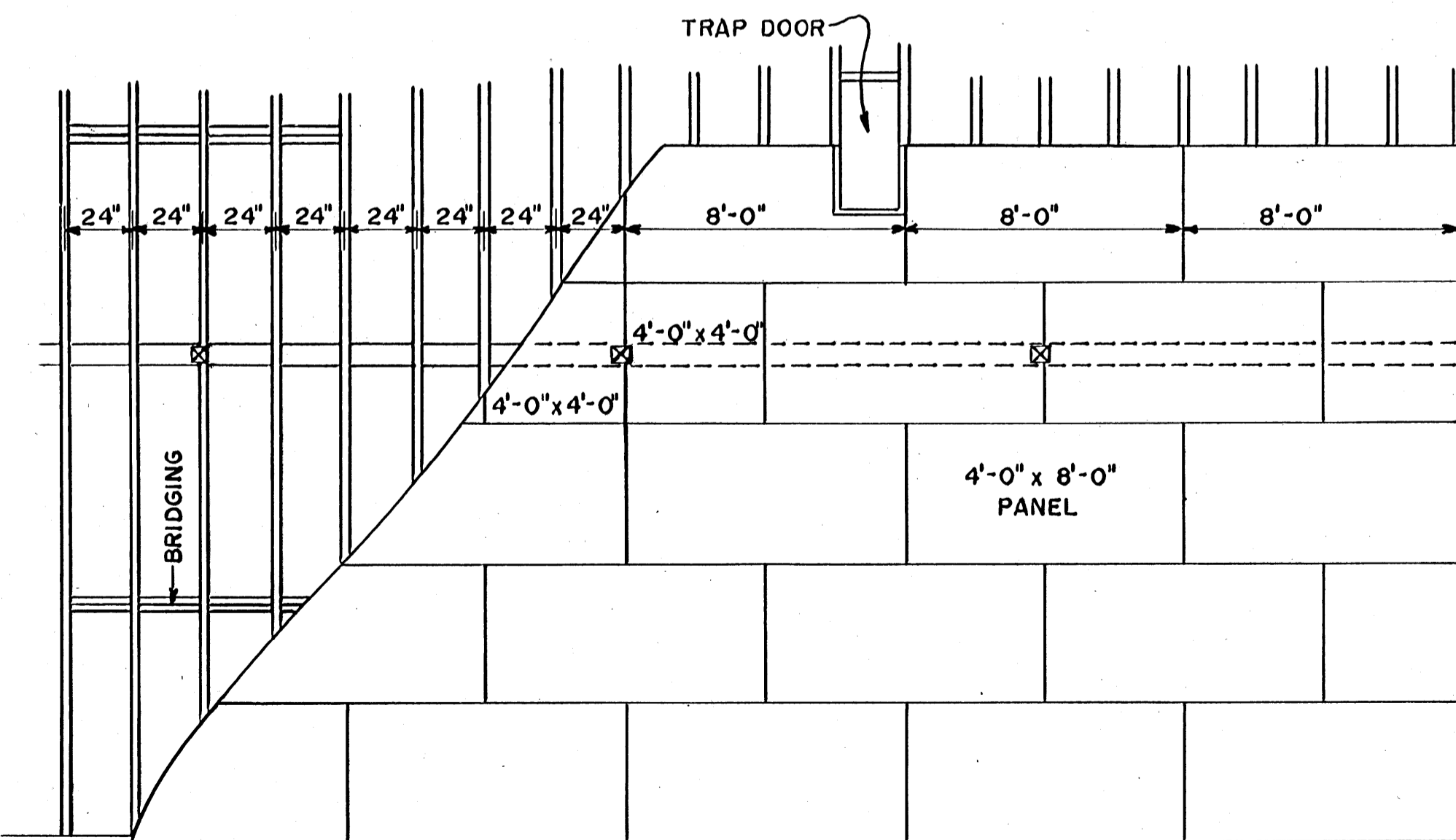
POST DETAIL
SCALE: 1" = 1'-0"



BEAM & JOIST DETAIL
SCALE: 1" = 1'-0"



BEAM SPLICING DETAIL
SCALE: 1/2" = 1'-0"



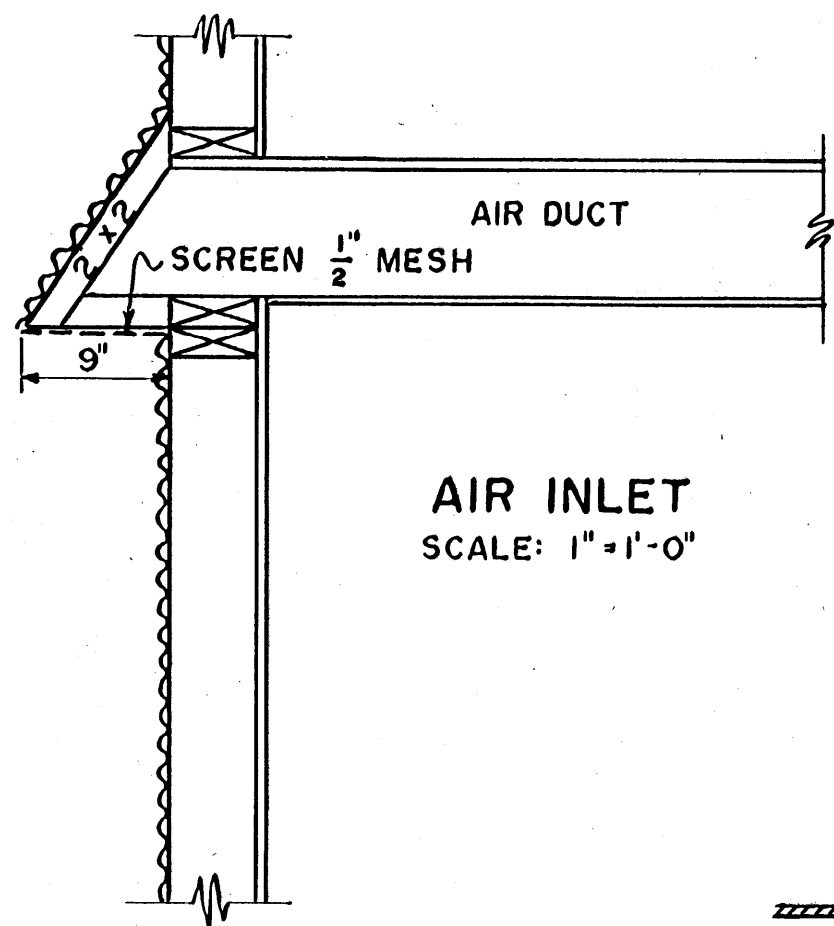
PLYWOOD FLOOR DETAIL
SCALE: 1/4" = 1'-0"

NOTE: NAILING FOR BEAM—
20d NAILS TO BE PLACED 1 1/2" FROM THE TOP AND BOTTOM EDGES OF BEAM, SPACED 24" APART STAGGERED, DRIVEN FROM BOTH SIDES OF GIRDER ALTERNATELY.

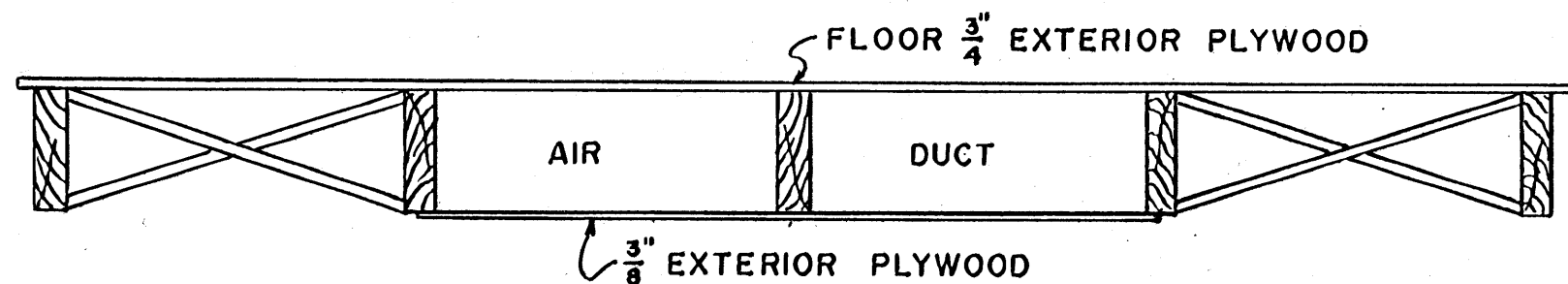
COOPERATIVE EXTENSION WORK IN
AGRICULTURE AND HOME ECONOMICS
STATE OF MISSISSIPPI
MISSISSIPPI STATE UNIVERSITY
AND
UNITED STATES DEPARTMENT OF AGRICULTURE COOPERATING

3 STORY BROILER HOUSE

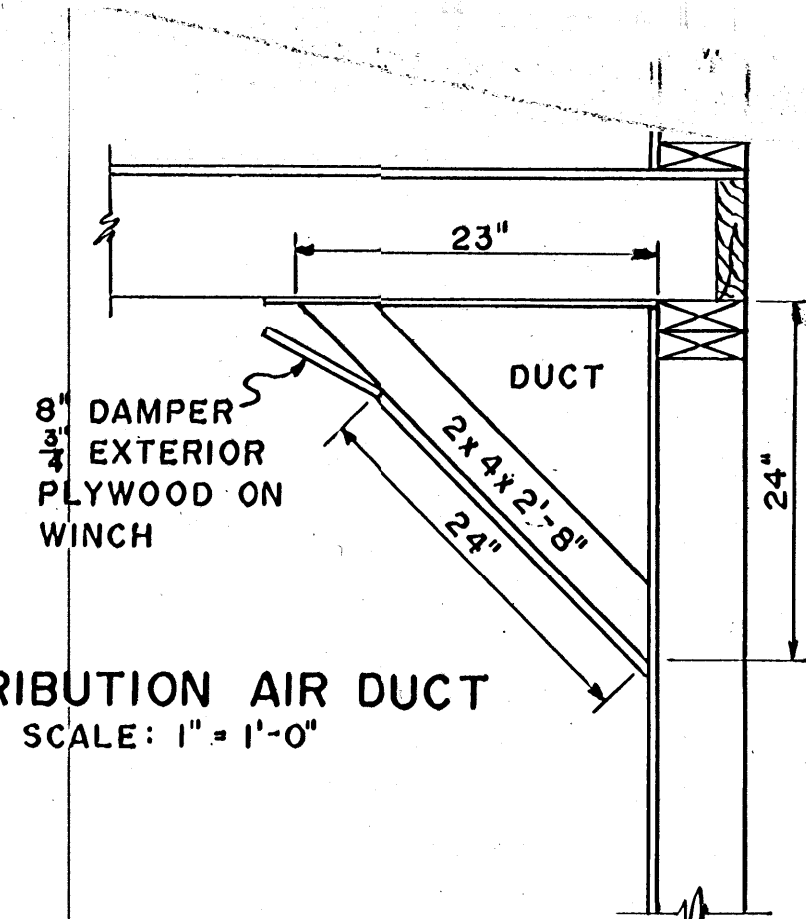
DEL. '67 EX. 6036 SHEET 4 OF 5



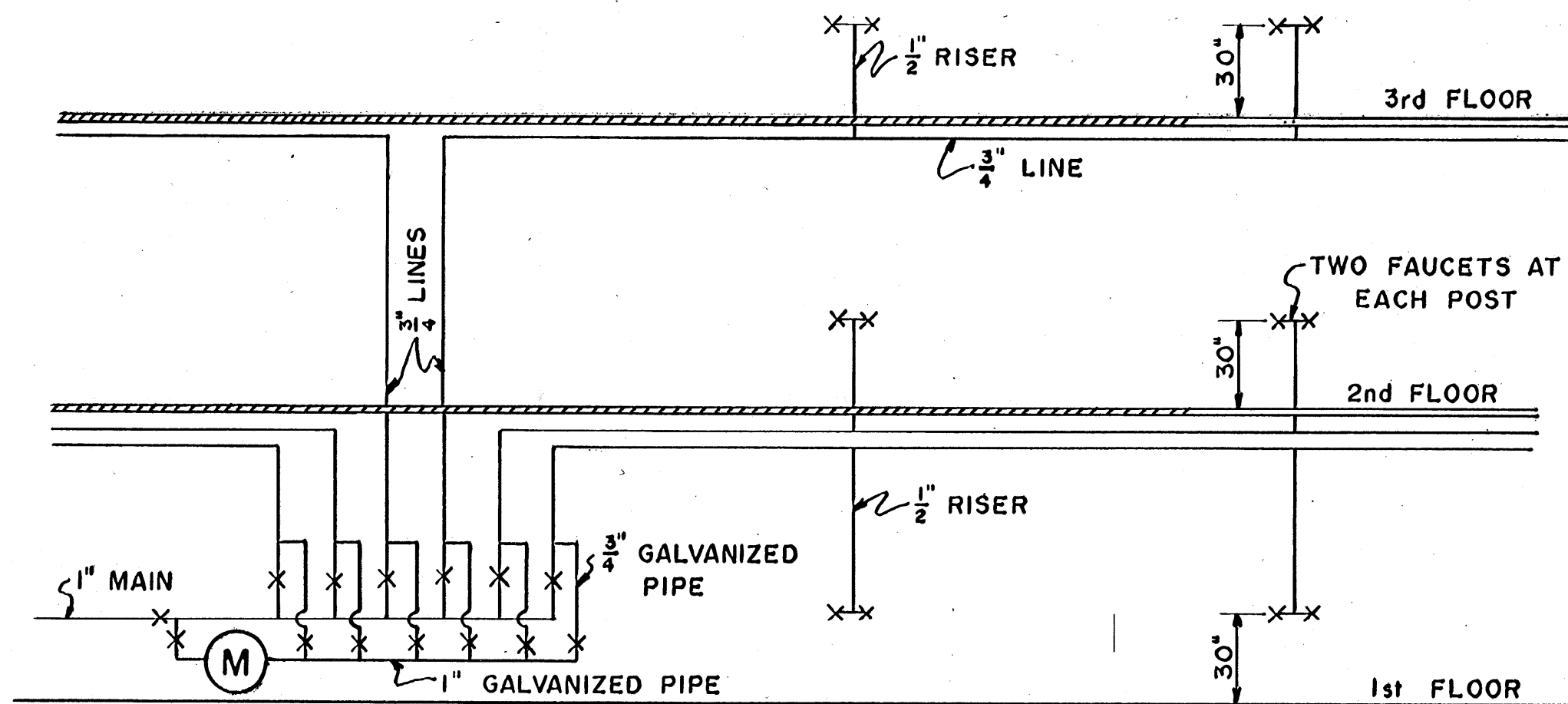
AIR INLET
SCALE: 1" = 1'-0"



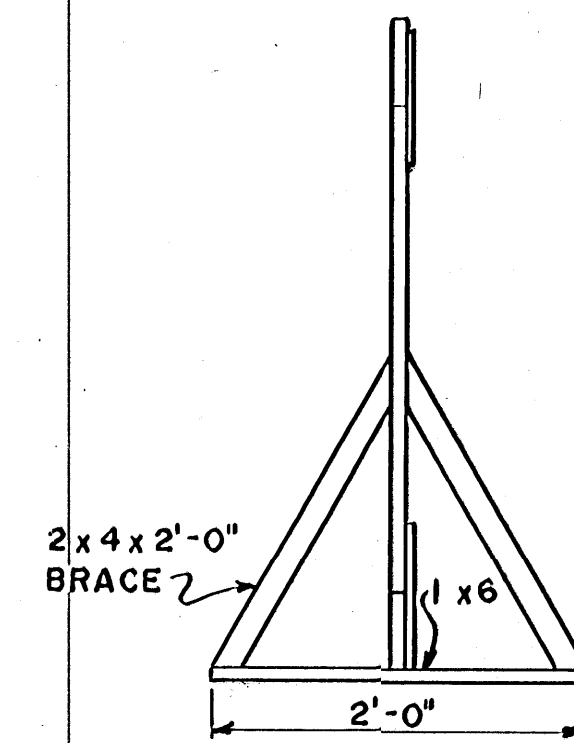
CEILING DUCT
SCALE: 1" = 1'-0"



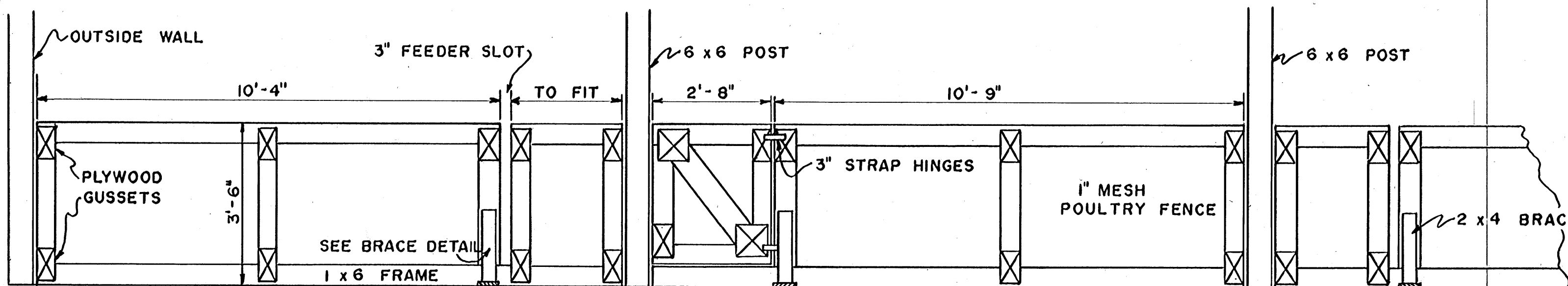
DISTRIBUTION AIR DUCT
SCALE: 1" = 1'-0"



PLUMBING DETAIL
SHOWING CONNECTIONS FOR MEDICATING



BRACE DETAIL
SCALE: 1" = 1'-0"



PEN PARTITIONS
SCALE: 1/2" = 1'-0"

COOPERATIVE EXTENSION WORK IN
AGRICULTURE AND HOME ECONOMICS
STATE OF MISSISSIPPI
MISSISSIPPI STATE UNIVERSITY
AND
UNITED STATES DEPARTMENT OF AGRICULTURE COOPERATING

3 STORY BROILER HOUSE

DEL. '67	EX. 6036	SHEET 5 OF 5
----------	----------	--------------