

GATES - 12' LONG  
EXCEPT "A"

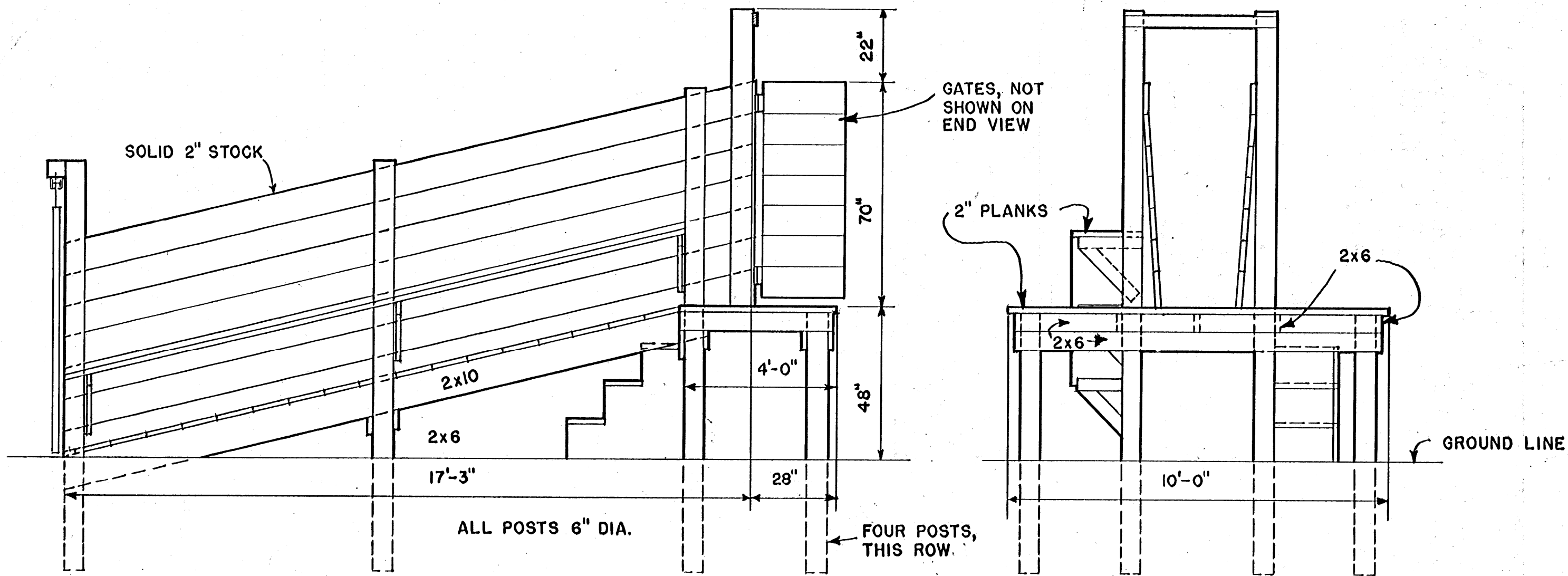
PLAN  
SCALE: 1/8" = 1'-0"

COOPERATIVE EXTENSION WORK IN  
AGRICULTURE AND HOME ECONOMICS  
STATE OF MISSISSIPPI  
MISSISSIPPI STATE UNIVERSITY  
AND  
UNITED STATES DEPARTMENT OF AGRICULTURE COOPERATING

CORRAL  
WITH CURVED CHUTE  
ARIZ. & USDA '68 EX. 6049 SHEET 1 OF 2

DESIGNED BY: AL LANE

ARIZ. PLAN A136



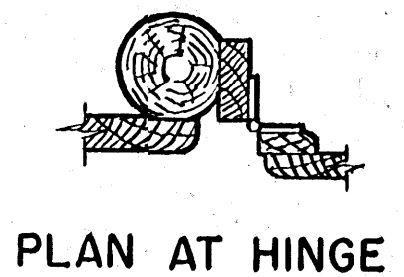
SIDE VIEW

**LOADING CHUTE**

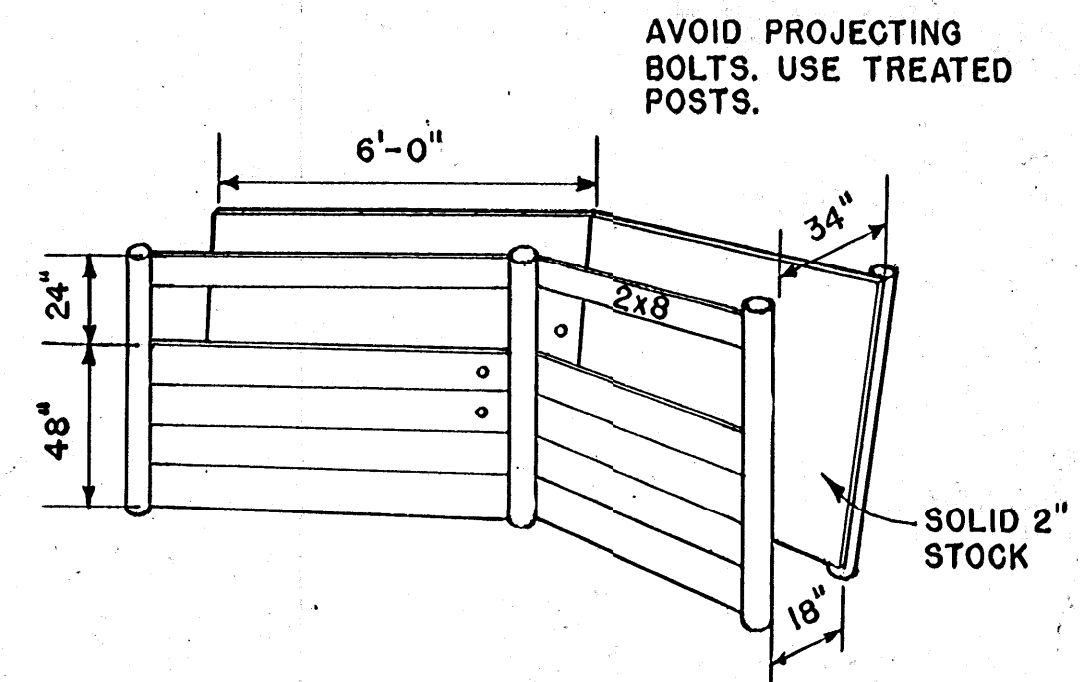
SCALE:  $\frac{3}{8}$ " = 1'-0"

INSTALL CLEATS ON MAN AND ANIMAL RAMPS

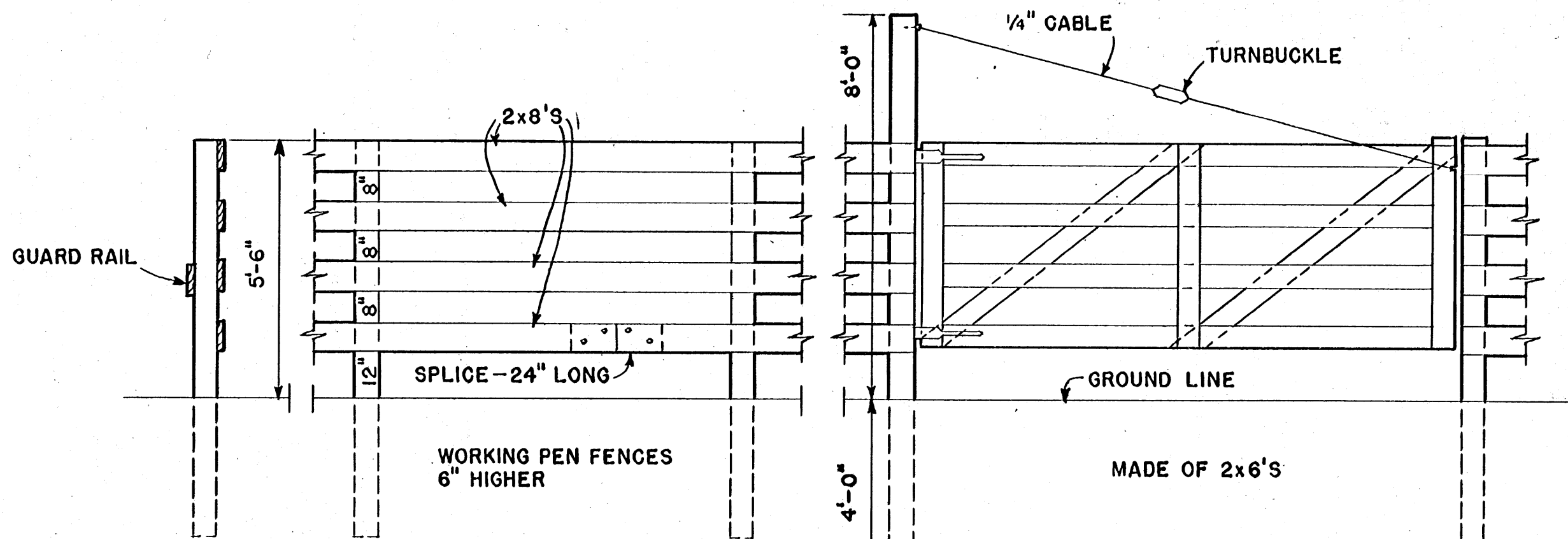
END VIEW



PLAN AT HINGE



CHUTE SECTION



FENCE

12' GATE

SCALE:  $\frac{3}{8}$ " = 1'-0"

COOPERATIVE EXTENSION WORK IN AGRICULTURE AND HOME ECONOMICS		
STATE OF MISSISSIPPI		
MISSISSIPPI STATE UNIVERSITY		
AND UNITED STATES DEPARTMENT OF AGRICULTURE COOPERATING		
<b>CORRAL WITH CURVED CHUTE</b>		
ARIZ. & USDA '68	EX. 6049	SHEET 2 OF 2