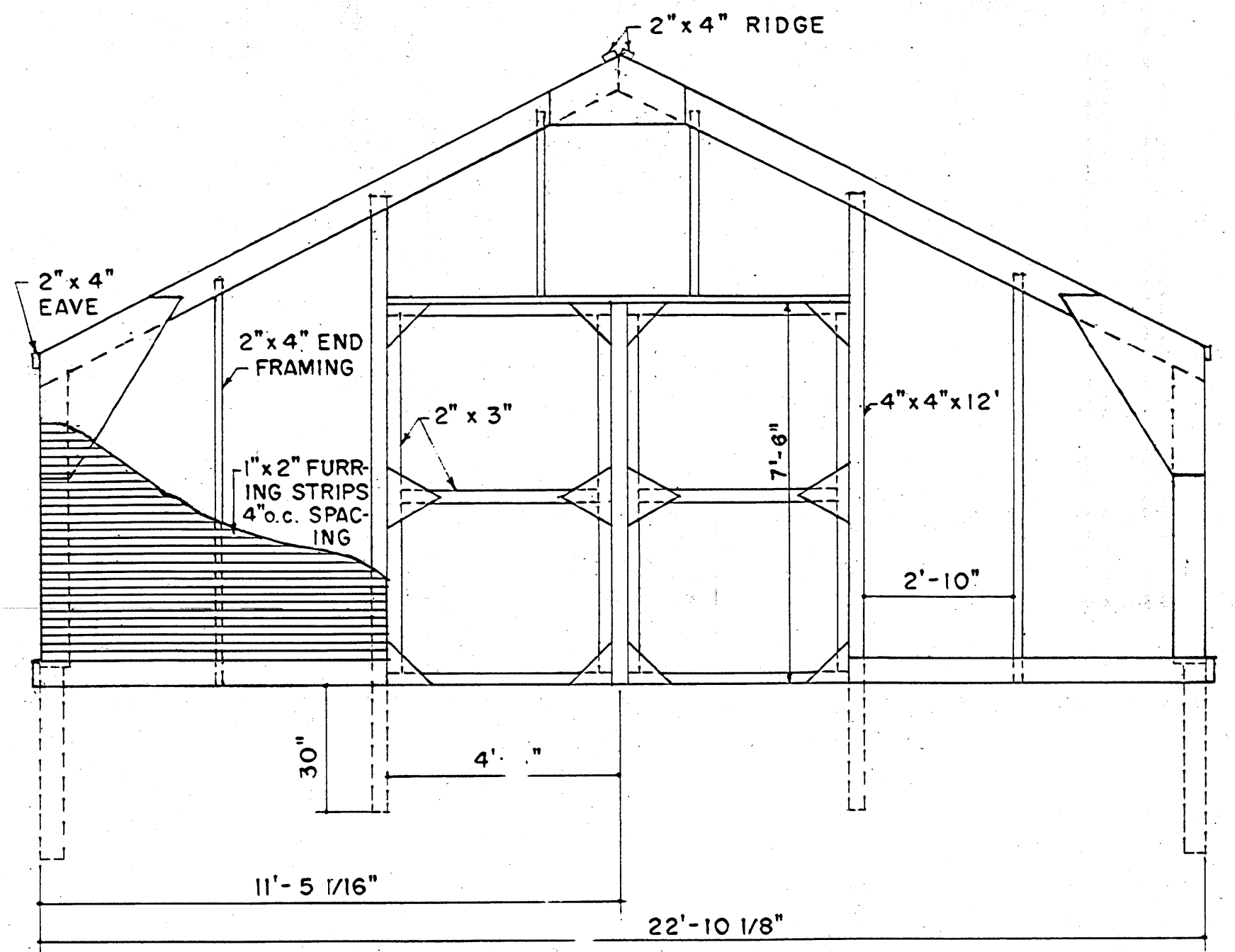


SIDE ELEVATION

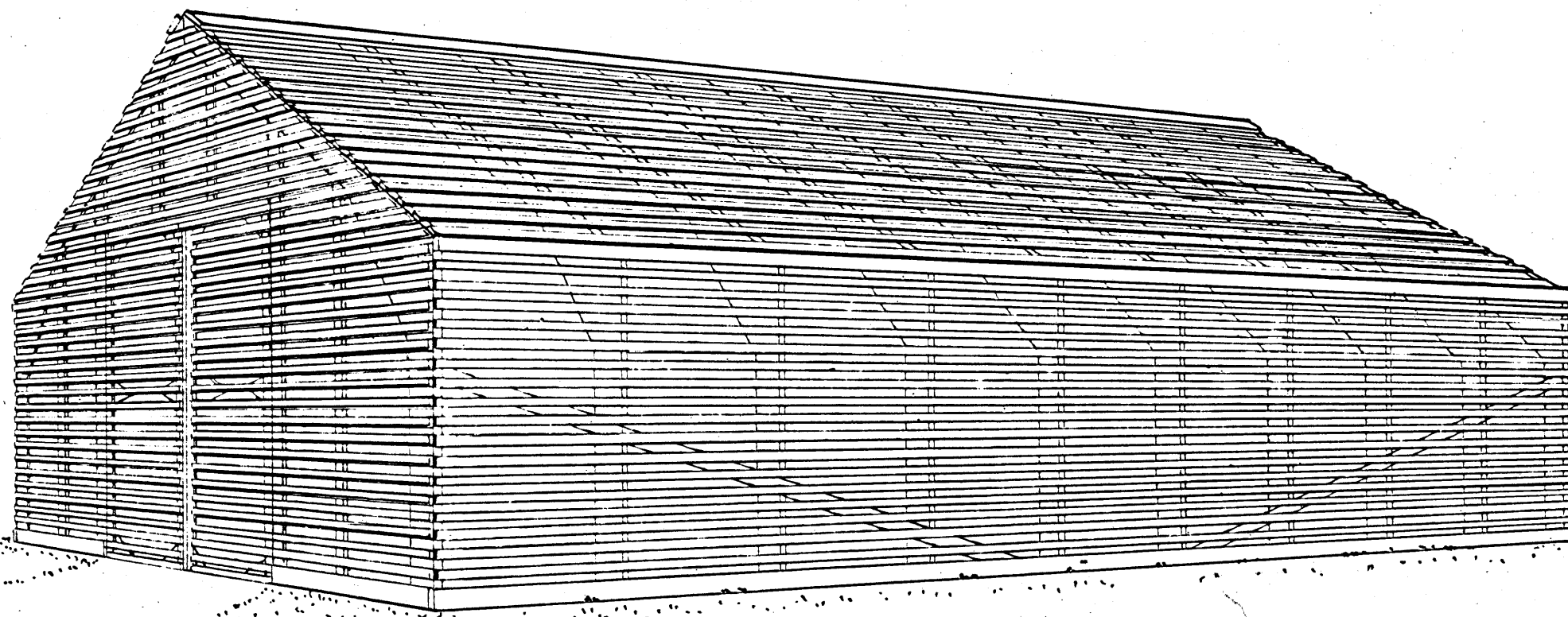
SCALE - 3/8" = 1'-0"



END ELEVATION

SCALE - 3/8" = 1'-0"

NOTE:
END WALLS MAY BE LEFT OPEN IF
STRUCTURE IS USED FOR RETAIL SALES.



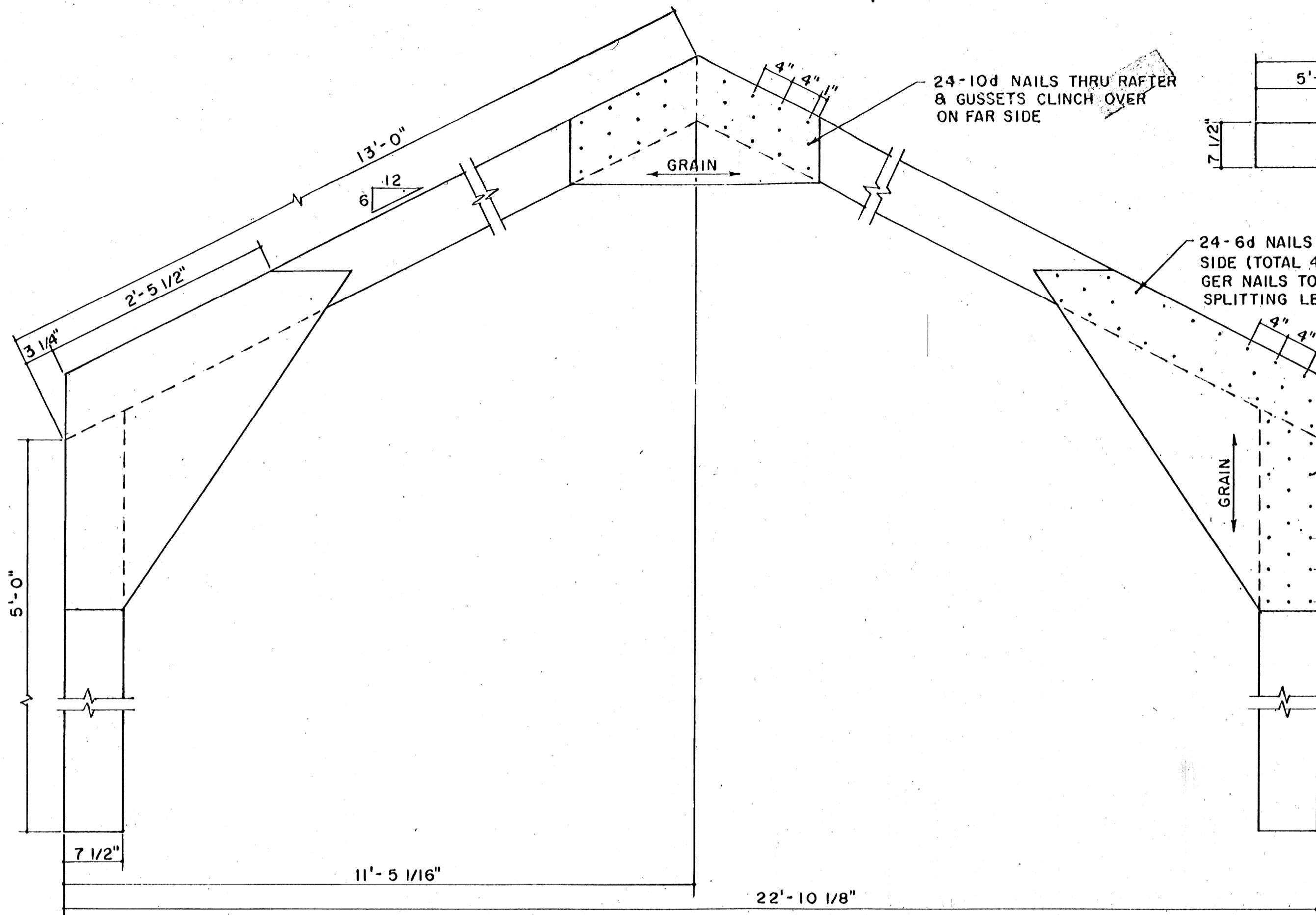
PERSPECTIVE

UNIV. OF CONN. PLAN NO. 236
J. W. BARTOK, JR.
R. E. PHILLIPS

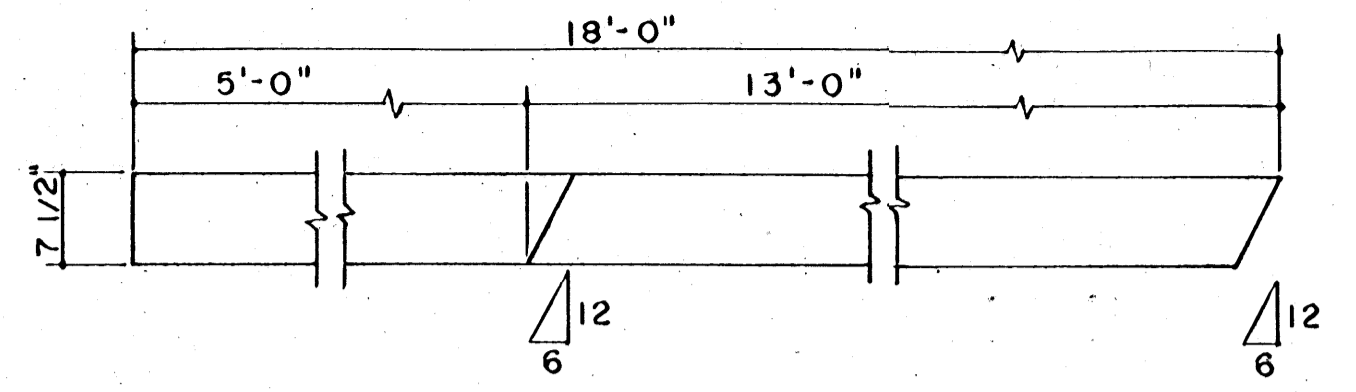
COOPERATIVE EXTENSION WORK IN
AGRICULTURE AND HOME ECONOMICS
STATE OF MISSISSIPPI
MISSISSIPPI STATE UNIVERSITY
AND
UNITED STATES DEPARTMENT OF AGRICULTURE COOPERATING

LATH HOUSE

CONN. '69 EX. 6064 SHEET 1 OF 2

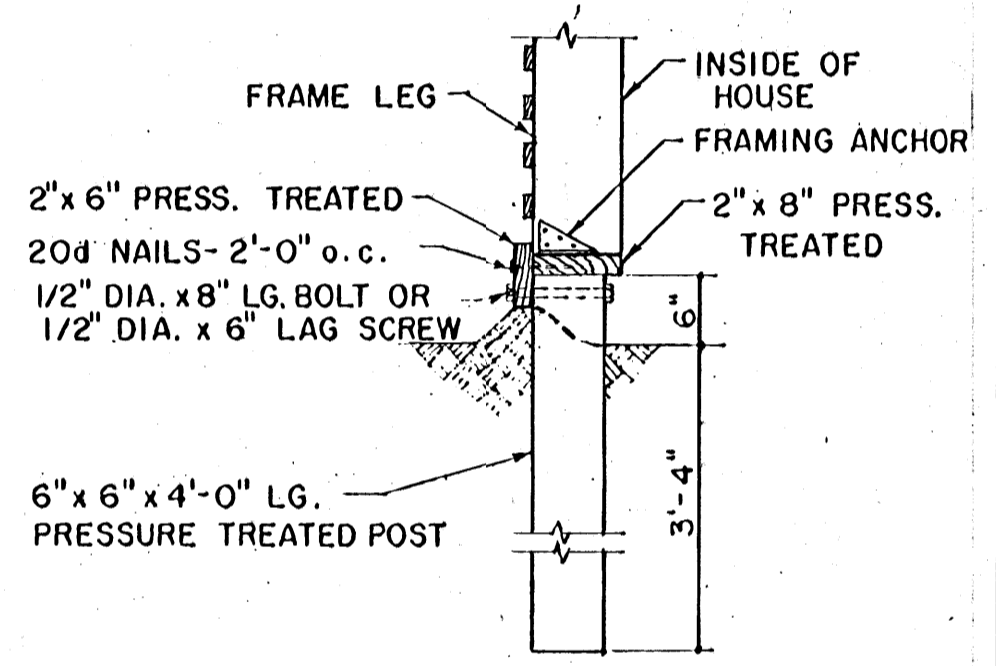


FRAME DETAIL
SCALE: 1" = 1'-0"

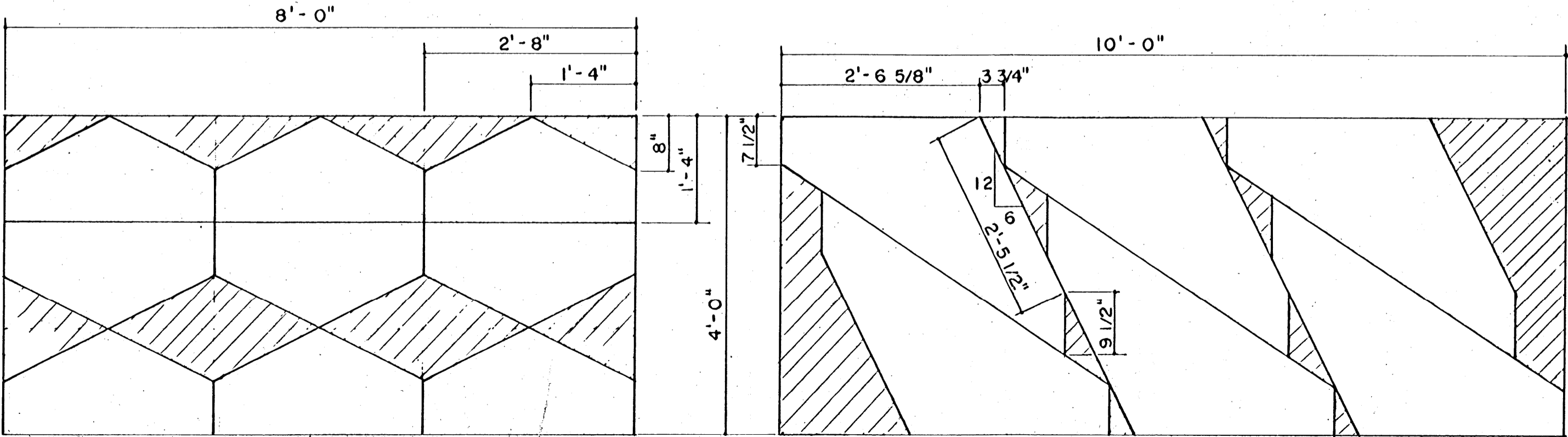


LEG & RAFTER DETAIL
SCALE: 3/4" = 1'-0"

20-6d NAILS EACH SIDE (TOTAL 40)- STAGGER NAILS TO PREVENT SPLITTING LEG



POLE FOUNDATION
SCALE: 3/4" = 1'-0"



CROWN GUSSET CUTTING DIAGRAM
SCALE: 3/4" = 1'-0"

EAVE GUSSET CUTTING DIAGRAM
SCALE: 3/4" = 1'-0"

NOTES:

1. USE 3/8" STRUCTURAL I PLYWOOD FOR GUSSETS.
2. FRAME MEMBERS TO BE CONSTRUCTION GRADE FIR, MINIMUM FIBER STRESS OF 1500 LB/SQ. IN.
3. PRESSURE TREATED MATERIAL SHALL BE CONSTRUCTION GRADE FIR & SHALL BE PRESSURE TREATED TO A PRESERVATIVE RETENTION OF 5-7 POUNDS PER CUBIC FOOT AS PER A.W.P.A. STANDARDS.

COOPERATIVE EXTENSION WORK IN
AGRICULTURE AND HOME ECONOMICS
STATE OF MISSISSIPPI
MISSISSIPPI STATE UNIVERSITY
AND
UNITED STATES DEPARTMENT OF AGRICULTURE COOPERATING

LATH HOUSE

CONN. '69 EX. 6064 SHEET 2 OF 2