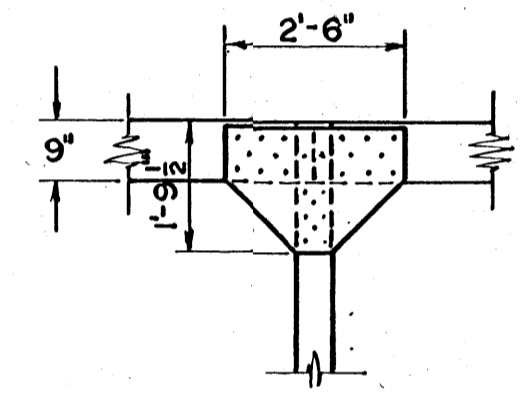
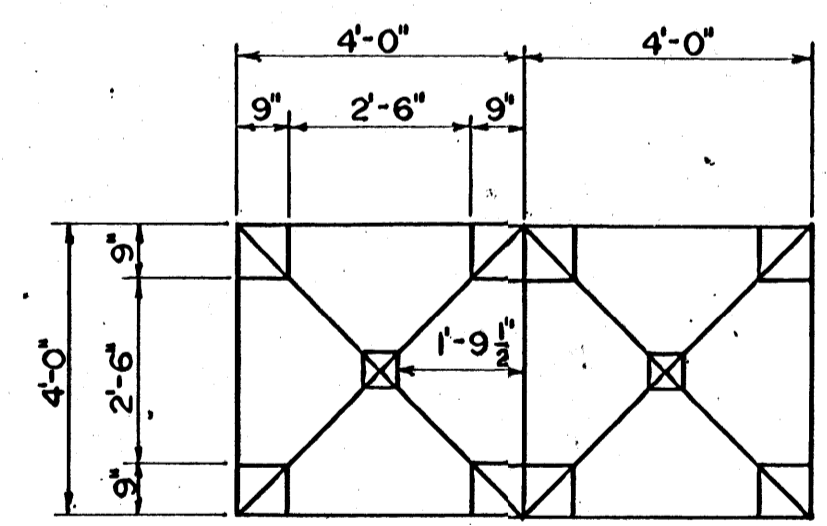


PERSPECTIVE
DRYER NOT SHOWN



GUSSET DETAIL
SCALE: $\frac{3}{8}$ " = 1'-0"



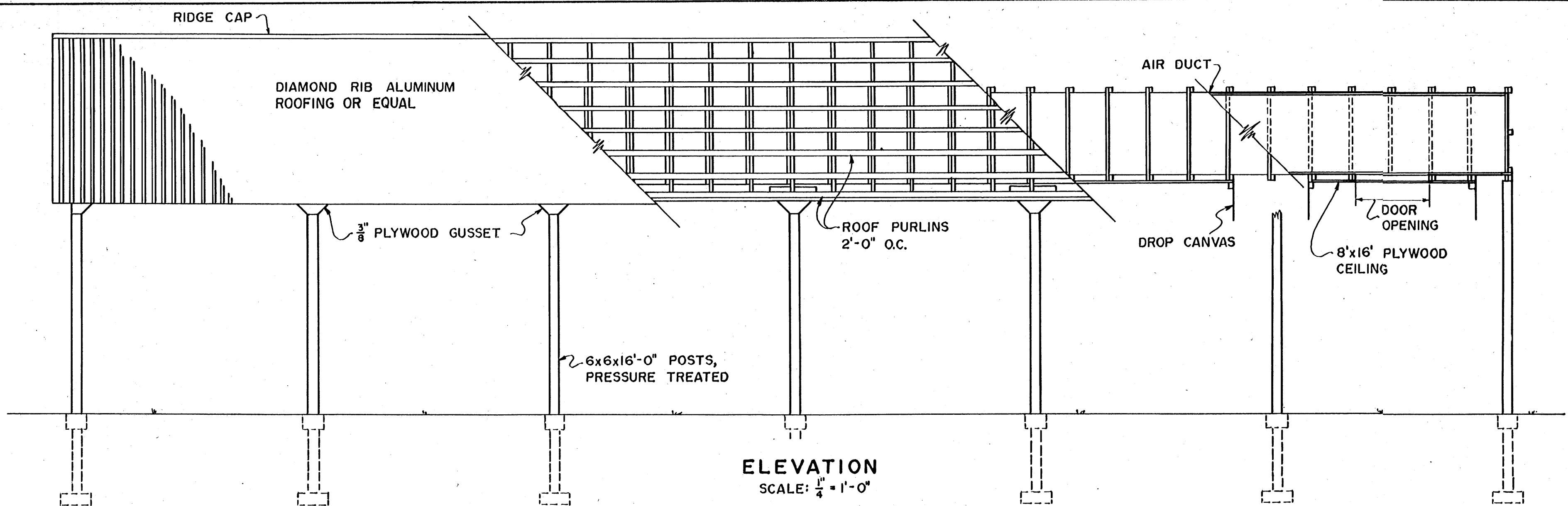
GUSSET CUTTING DETAIL
SCALE: $\frac{3}{8}$ " = 1'-0"

NOTE: ALL PLYWOOD TO BE EXTERIOR TYPE

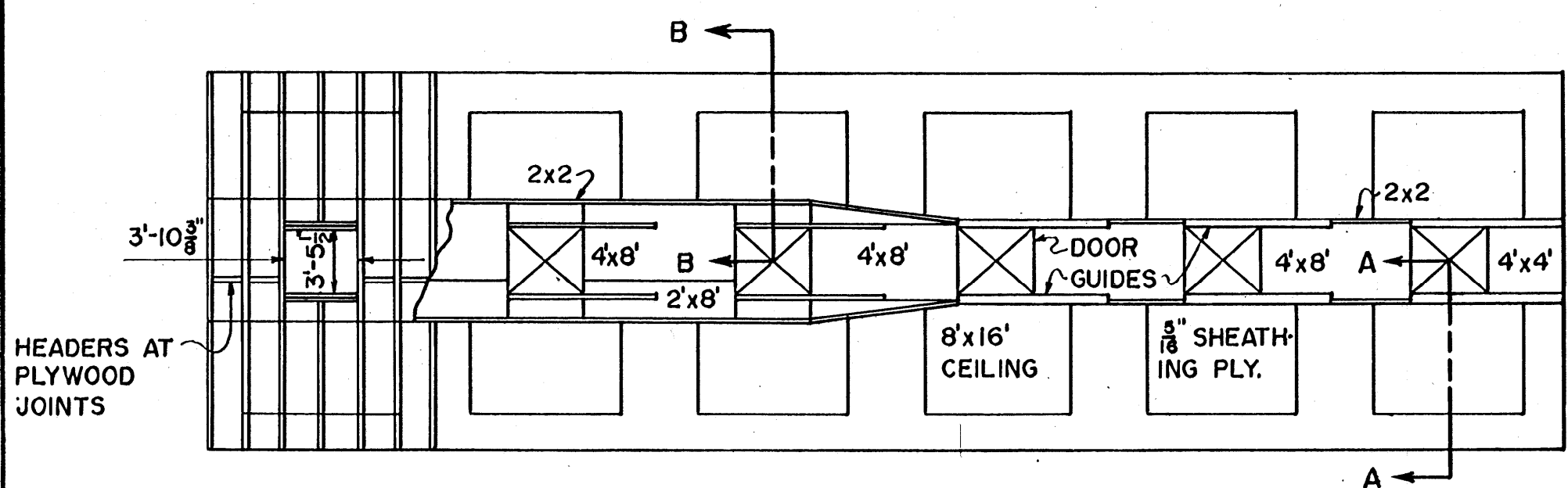
COOPERATIVE EXTENSION WORK IN
AGRICULTURE AND HOME ECONOMICS
STATE OF MISSISSIPPI
MISSISSIPPI STATE UNIVERSITY
AND
UNITED STATES DEPARTMENT OF AGRICULTURE COOPERATING

SHED FOR DRYING HAY

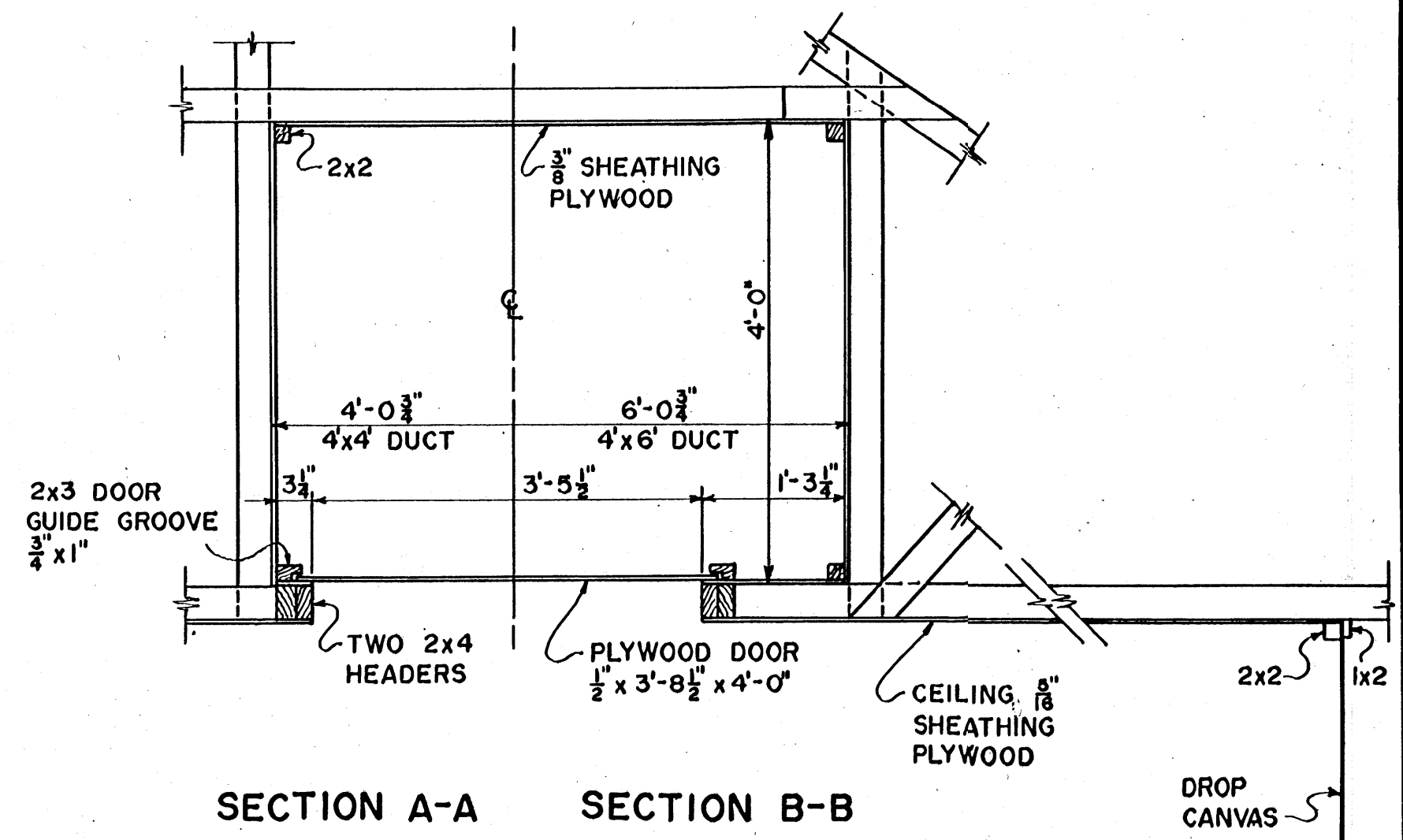
DEL. '69	6070	SHEET 1 OF 2
----------	------	--------------



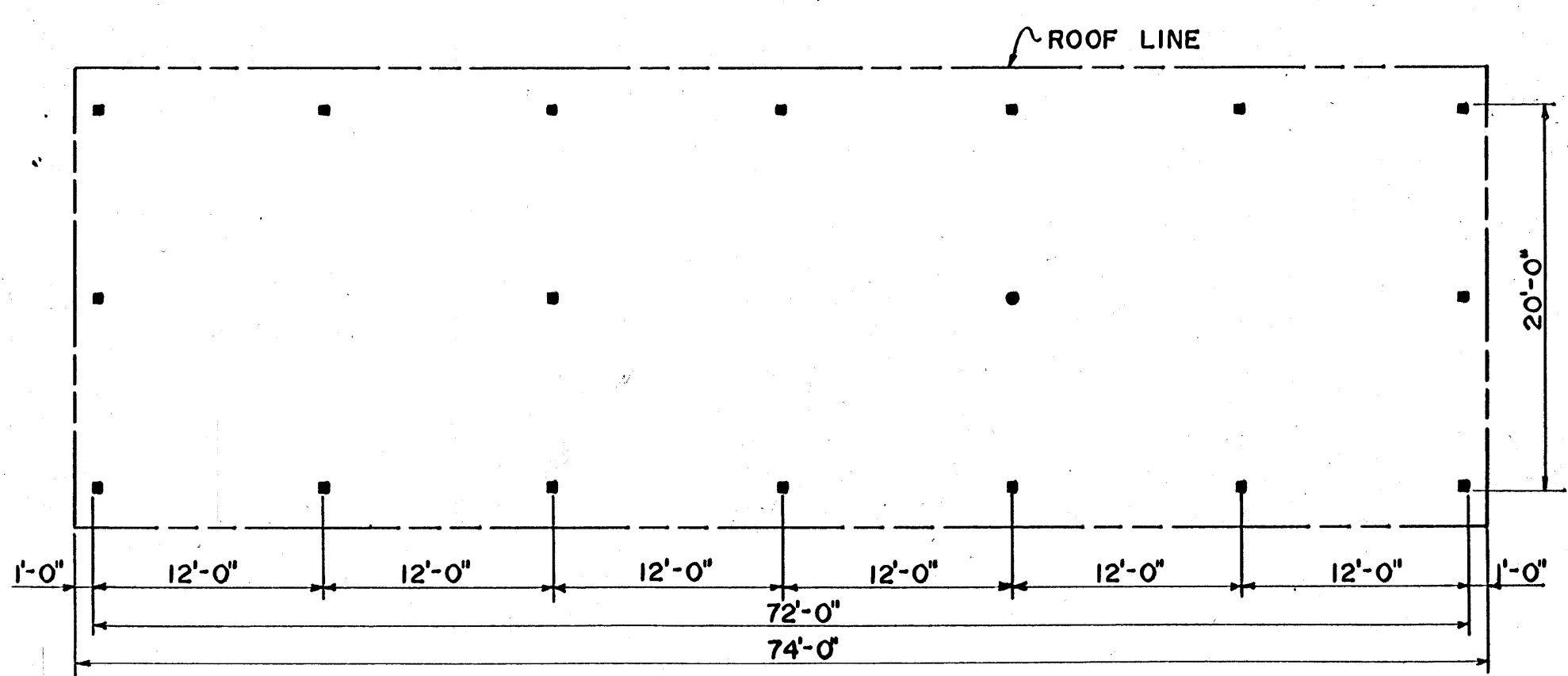
ELEVATION
SCALE: $\frac{1}{4}'' = 1'-0''$



CEILING PANELS AND AIR DUCT - PLAN
SCALE: $\frac{1}{8}'' = 1'-0''$



SECTION A-A SECTION B-B
SCALE: $\frac{3}{4}'' = 1'-0''$



PLAN
SCALE: $\frac{1}{8}'' = 1'-0''$

COOPERATIVE EXTENSION WORK IN AGRICULTURE AND HOME ECONOMICS		
STATE OF MISSISSIPPI		
MISSISSIPPI STATE UNIVERSITY, AND UNITED STATES DEPARTMENT OF AGRICULTURE COOPERATING		
SHED FOR DRYING HAY		
DEL. '69	6070	SHEET 2 OF 2