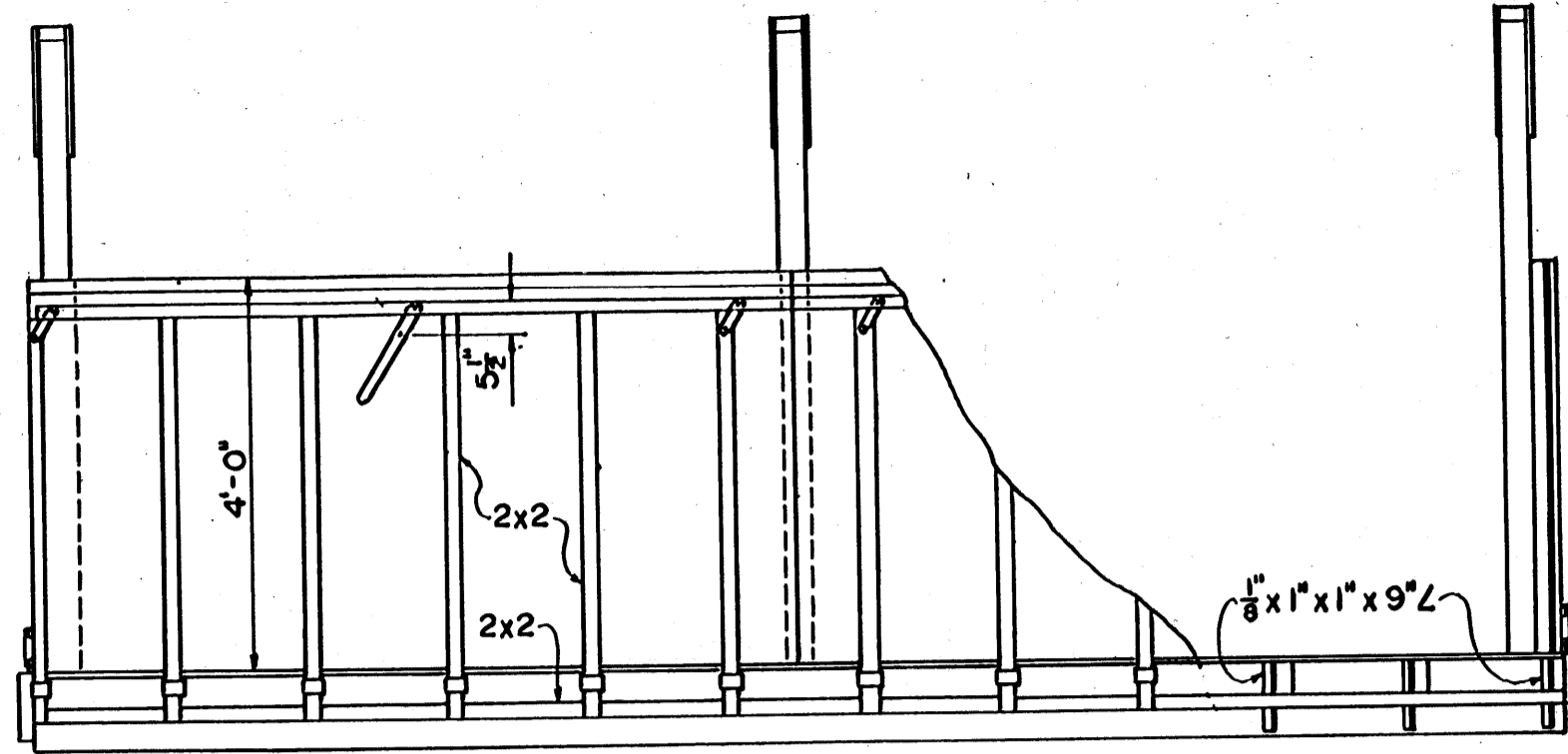
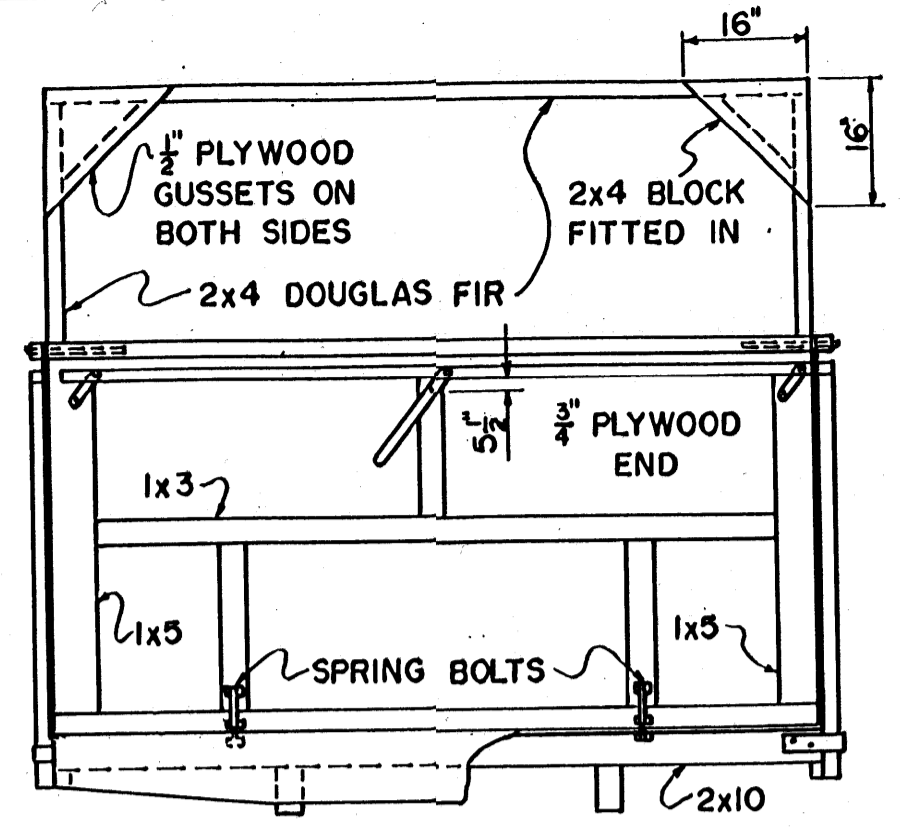


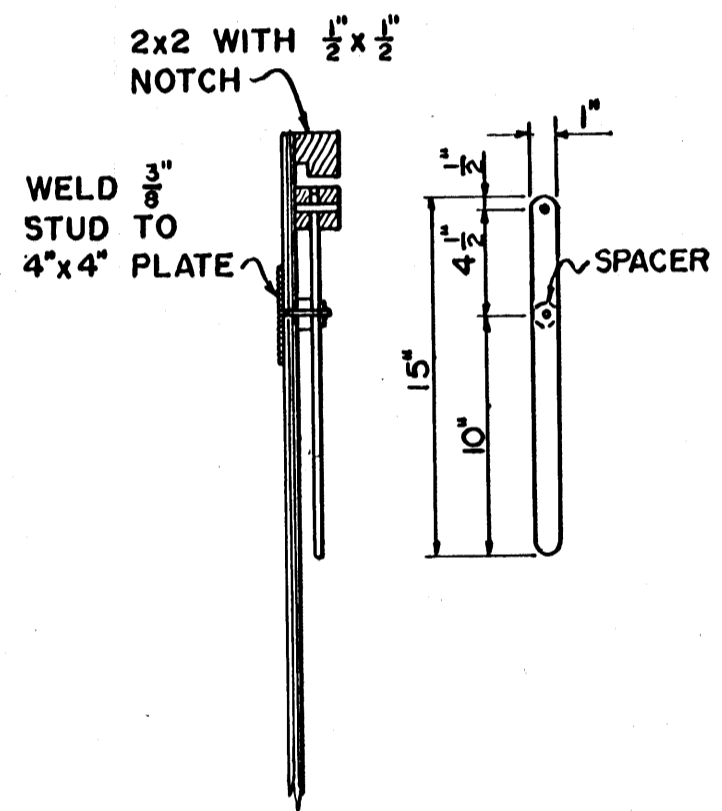
FRONT END
SCALE: 1/2" = 1'-0"



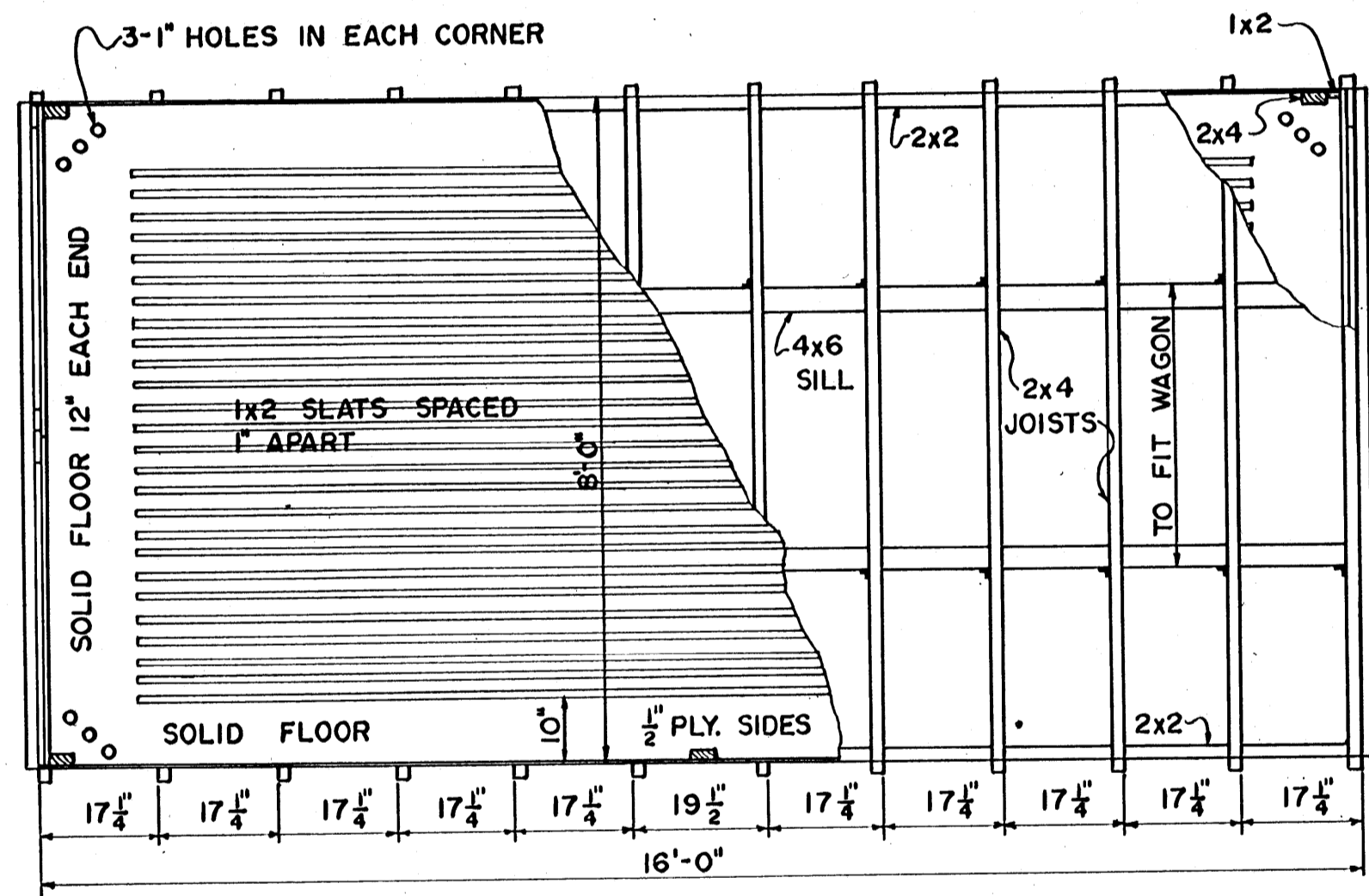
SIDE VIEW
SCALE: 1/2" = 1'-0"



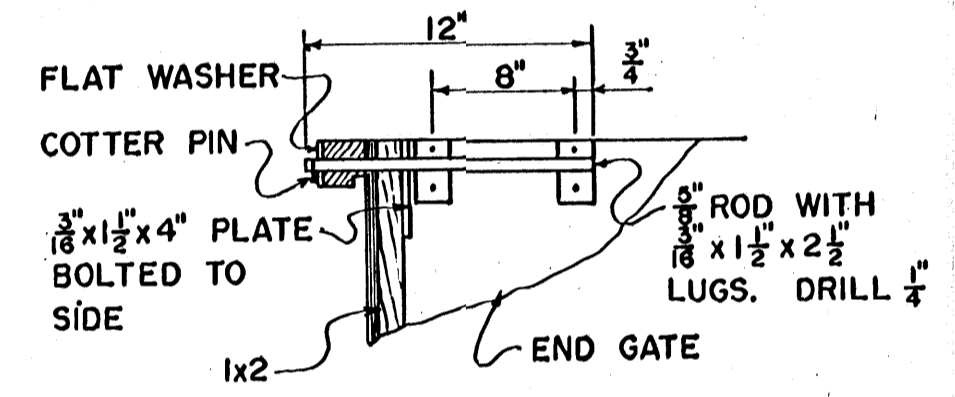
BACK END
SCALE: 1/2" = 1'-0"



CLAMP LEVER
SCALE: 1/2" = 1'-0"

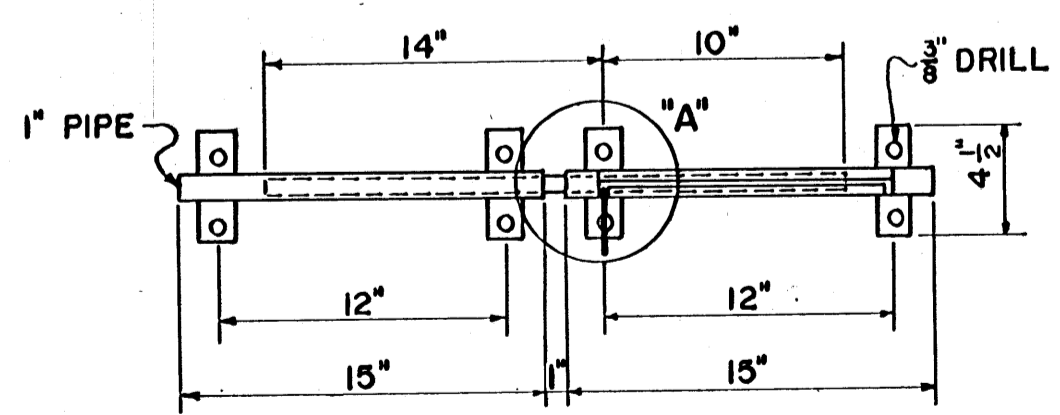


PLAN
SCALE: 1/2" = 1'-0"



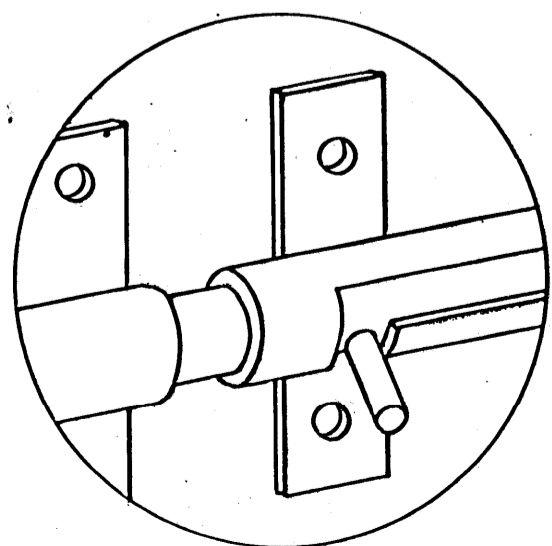
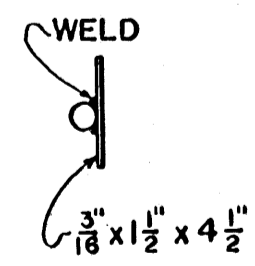
TAIL GATE HINGE
SCALE: 1/2" = 1'-0"

ALL PLYWOOD TO BE EXTERIOR TYPE

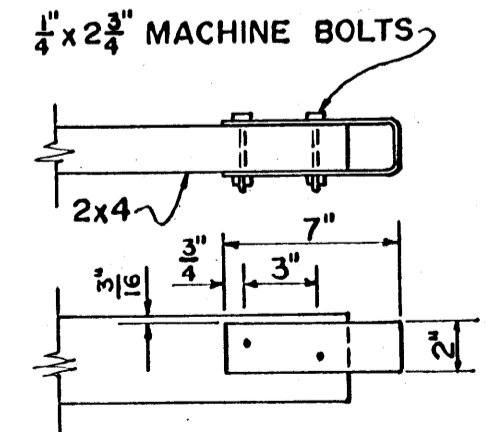


CONSTRUCT SLOTTED PART IN THREE SECTIONS. CUT SLOT IN 12 1/2" LENGTH. THEN WELD ON END SECTIONS AFTER BOLT IS INSERTED. BOLT IS 3/4" THICK-WALLED PIPE TURNED DOWN TO SLIDE INSIDE THE 1" PIPE.

FRONT GATE BOLT
SCALE: 1/2" = 1'-0"



DETAIL "A"



STAKE POCKET
FROM 3/16 x 2" x 16 1/2" BAR
SCALE: 1/2" = 1'-0"

UNIV. OF DELAWARE

COOPERATIVE EXTENSION WORK IN AGRICULTURE AND HOME ECONOMICS
STATE OF MISSISSIPPI
MISSISSIPPI STATE UNIVERSITY
AND
UNITED STATES DEPARTMENT OF AGRICULTURE COOPERATING

WAGON BOX FOR DRYING HAY

DEL. '69	6071	SHEET 1 OF 1
----------	------	--------------