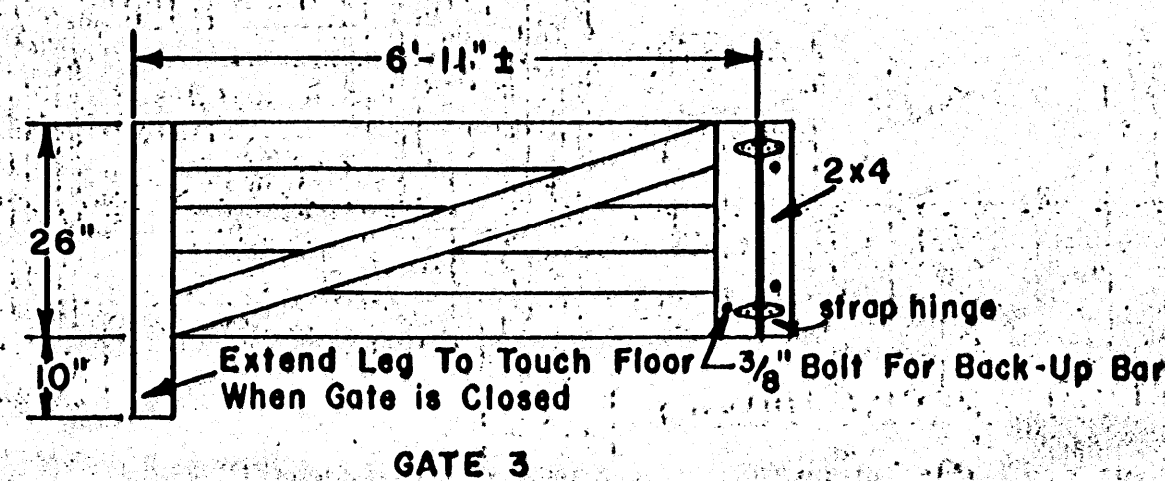
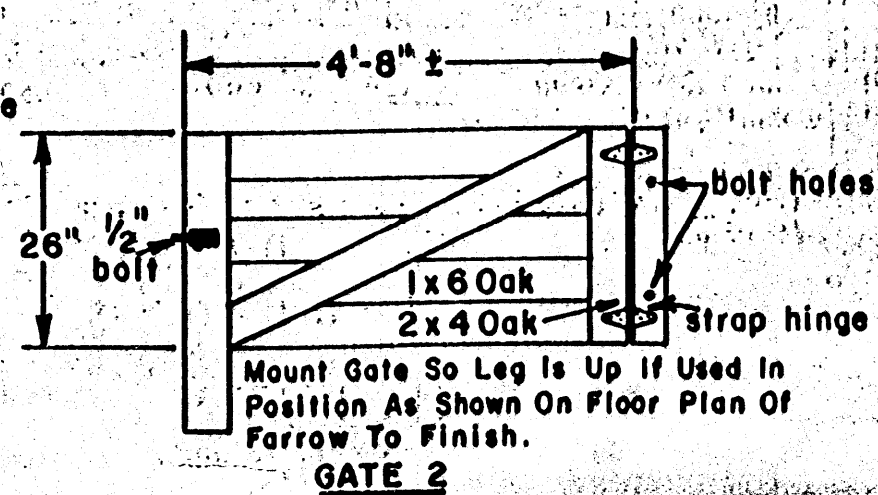
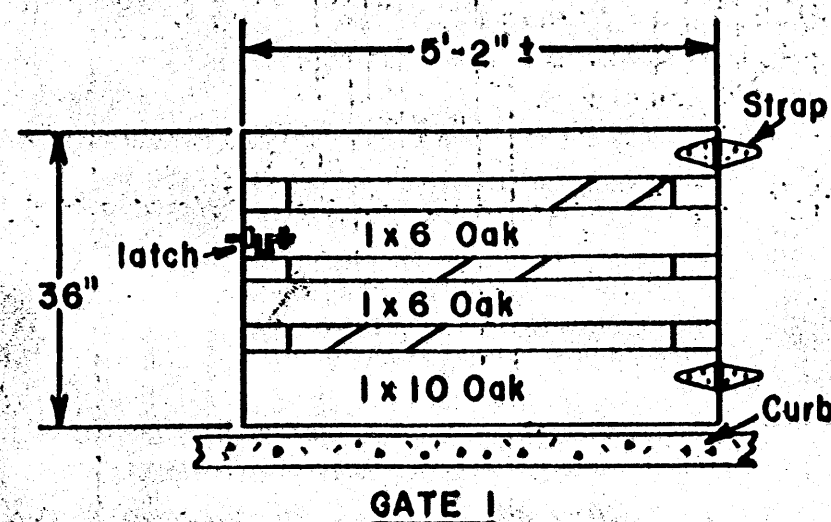
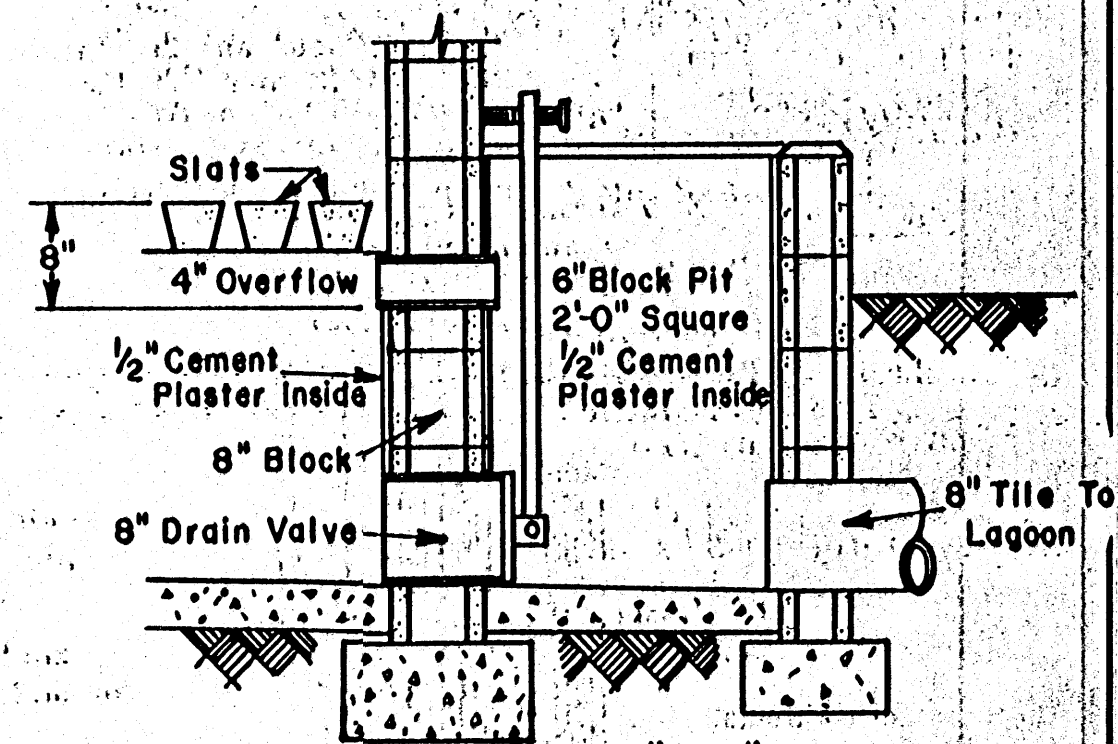
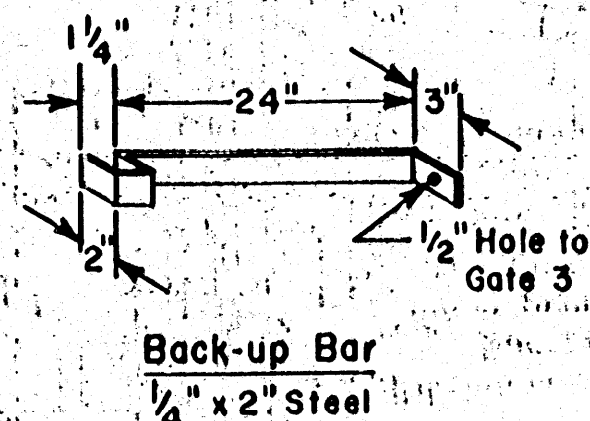
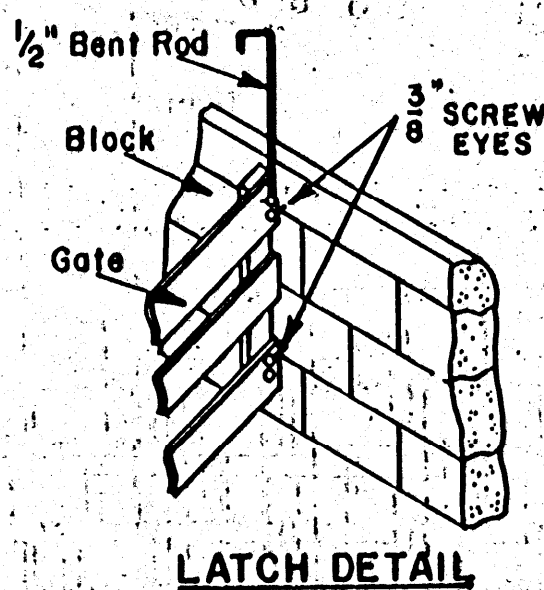
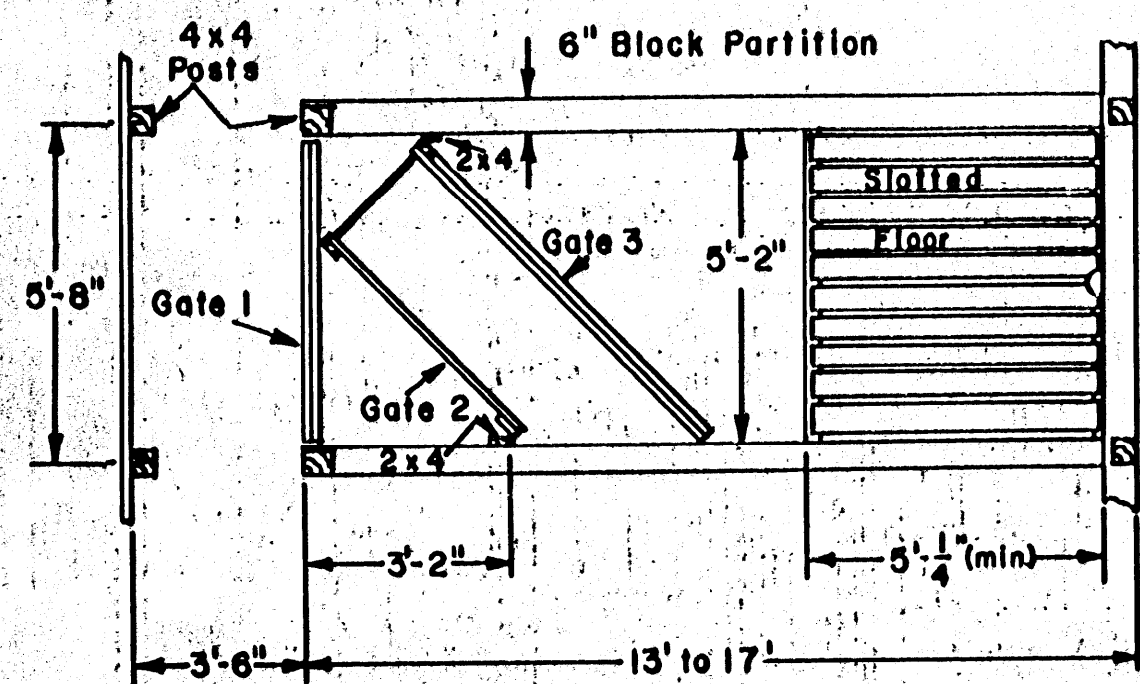


Floor Plan - TYPICAL PEN

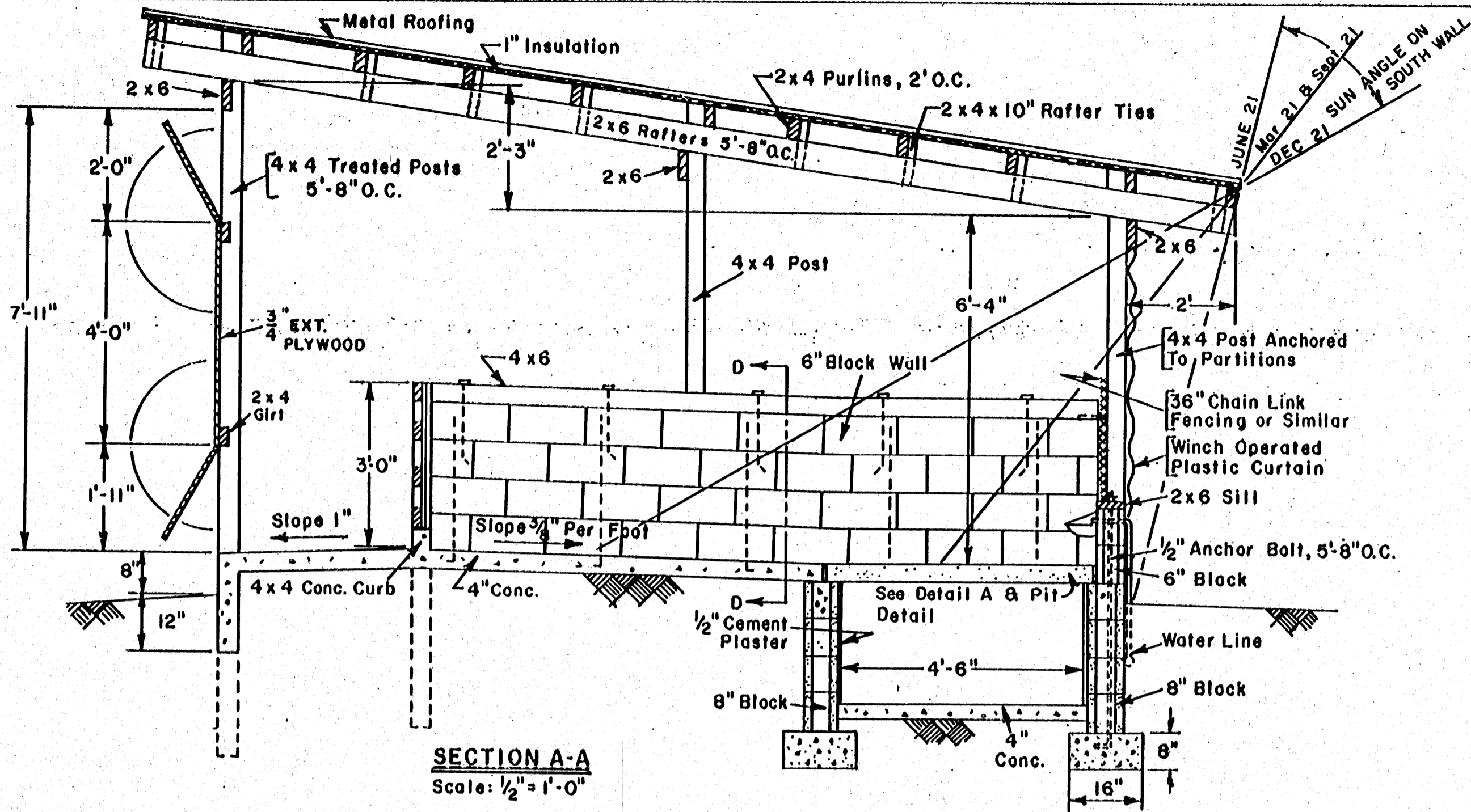


N.C. NO. 521

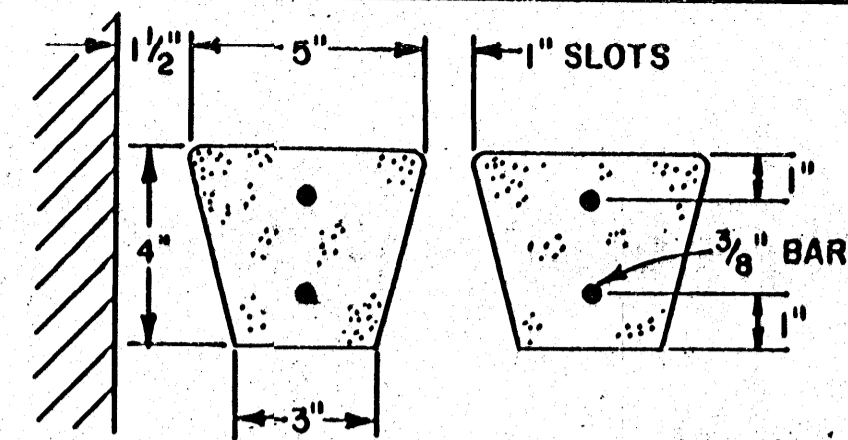
COOPERATIVE EXTENSION WORK IN
AGRICULTURE AND HOME ECONOMICS
STATE OF MISSISSIPPI
MISSISSIPPI STATE UNIVERSITY
AND
UNITED STATES DEPARTMENT OF AGRICULTURE COOPERATING

**HOG HOUSES - FARROWING
AND FARROW TO FINISH**

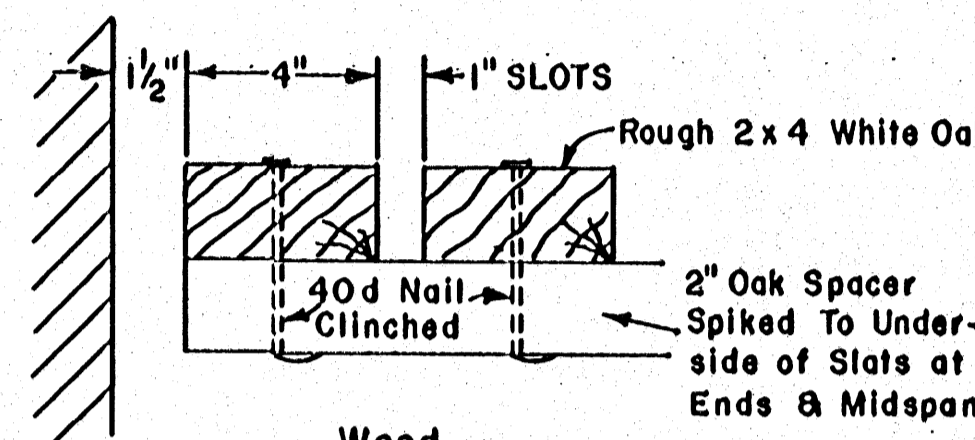
N.C. '69 6073 SHEET 1 OF 2



SECTION A-A
Scale: 1/2" = 1'-0"

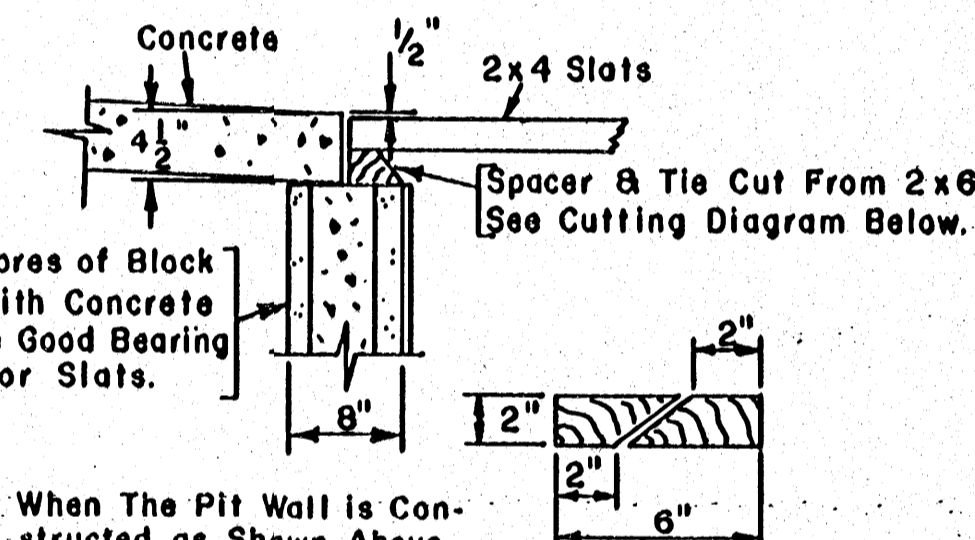


Concrete

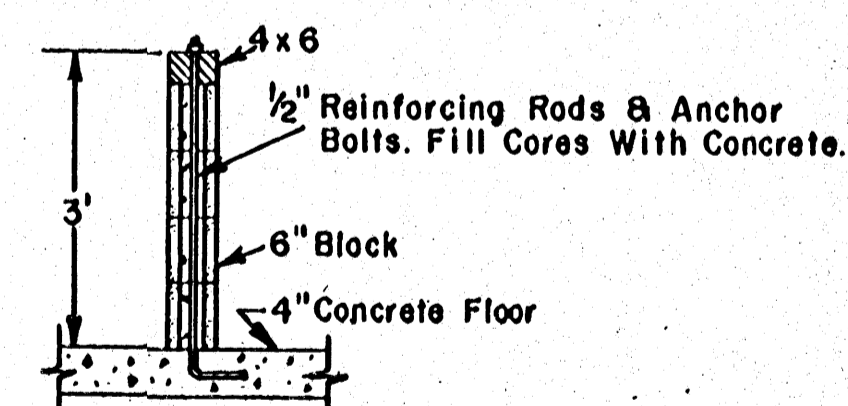


Wood

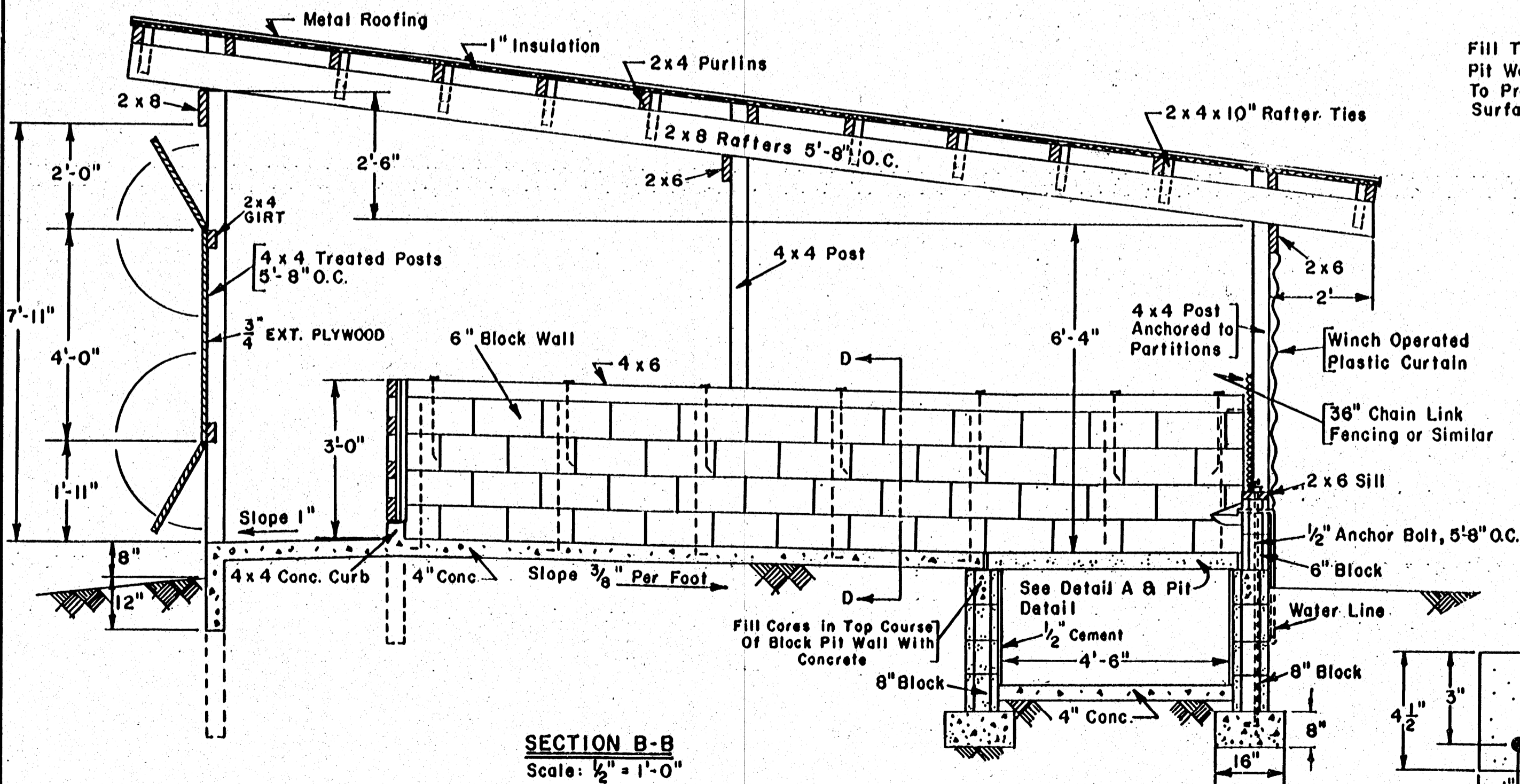
SLAT DETAIL
Scale: 3" = 1'-0"



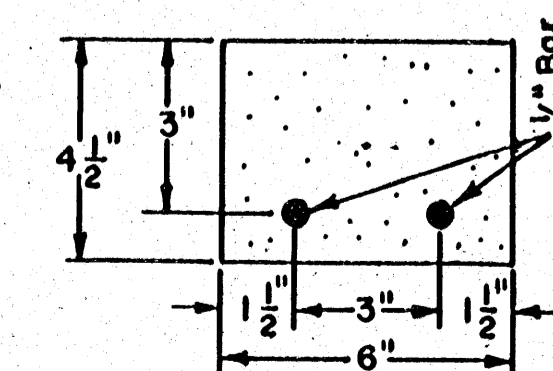
When The Pit Wall is Constructed as Shown Above, Wood or Concrete Slats are Interchangeable.
Pit Construction Detail - No Scale



Section "D-D"
Scale: 1/2" = 1'-0"



SECTION B-B
Scale: 1/2" = 1'-0"



Detail A-Precast Lintel
Scale: 3" = 1'-0"

COOPERATIVE EXTENSION WORK IN AGRICULTURE AND HOME ECONOMICS
STATE OF MISSISSIPPI
MISSISSIPPI STATE UNIVERSITY
AND
UNITED STATES DEPARTMENT OF AGRICULTURE COOPERATING

HOG HOUSES - FARROWING AND FARROW TO FINISH

N.C.	'69	6073	SHEET 2 OF 2
------	-----	------	--------------