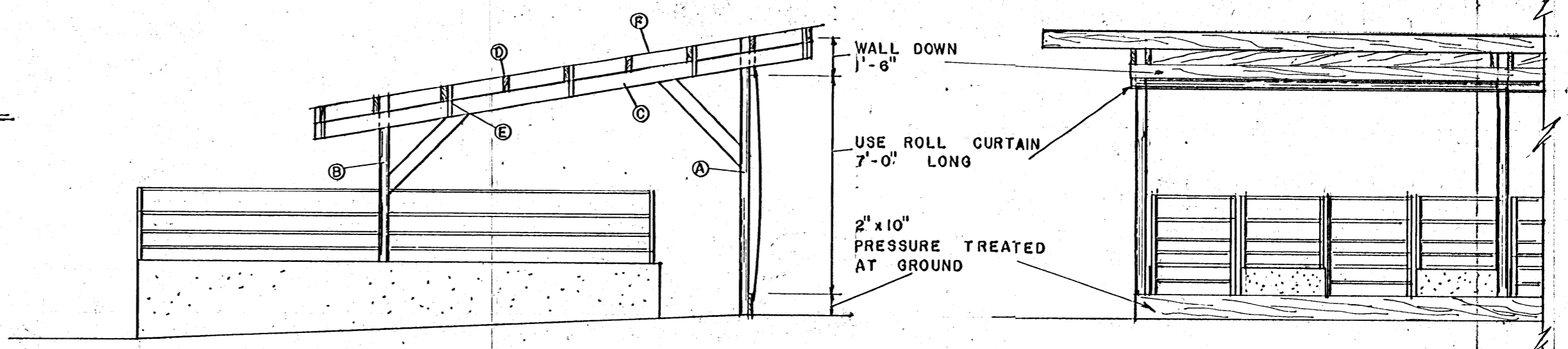


PLAN
SCALE: 3/8" = 1'-0"

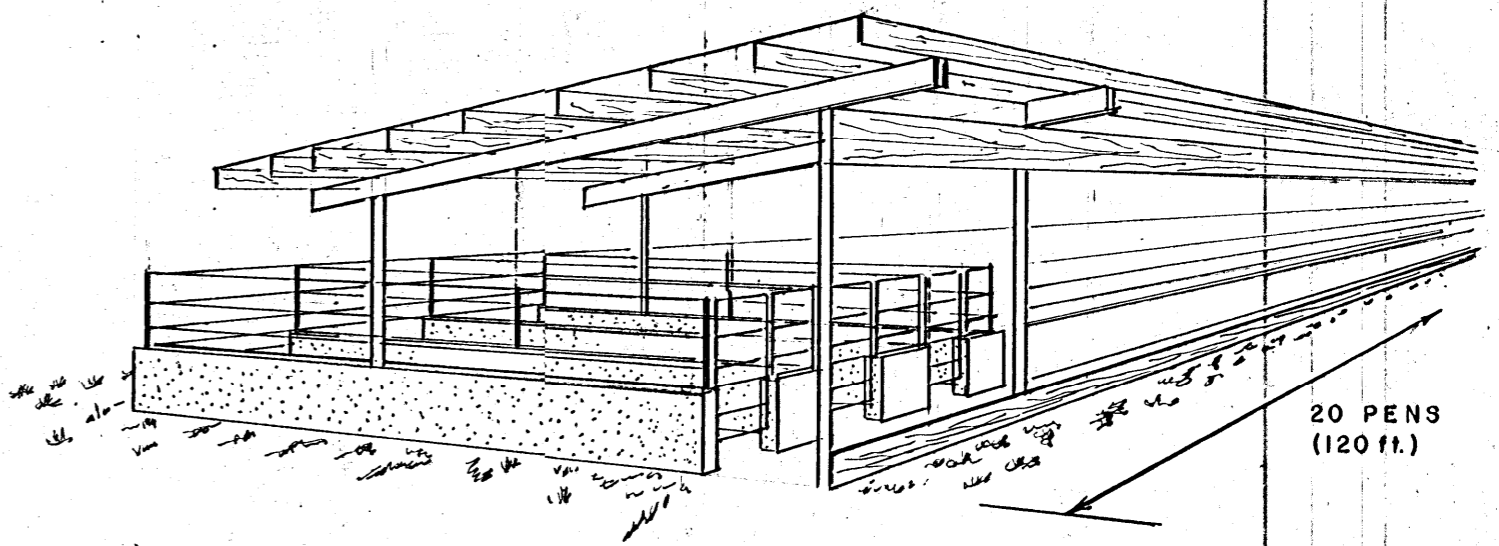
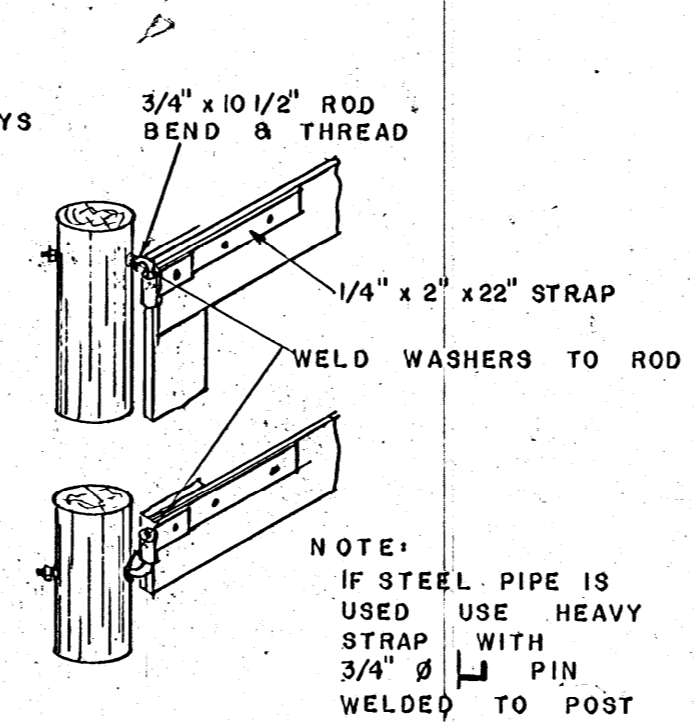


SIDE ELEVATION
SCALE: 1/4" = 1'-0"

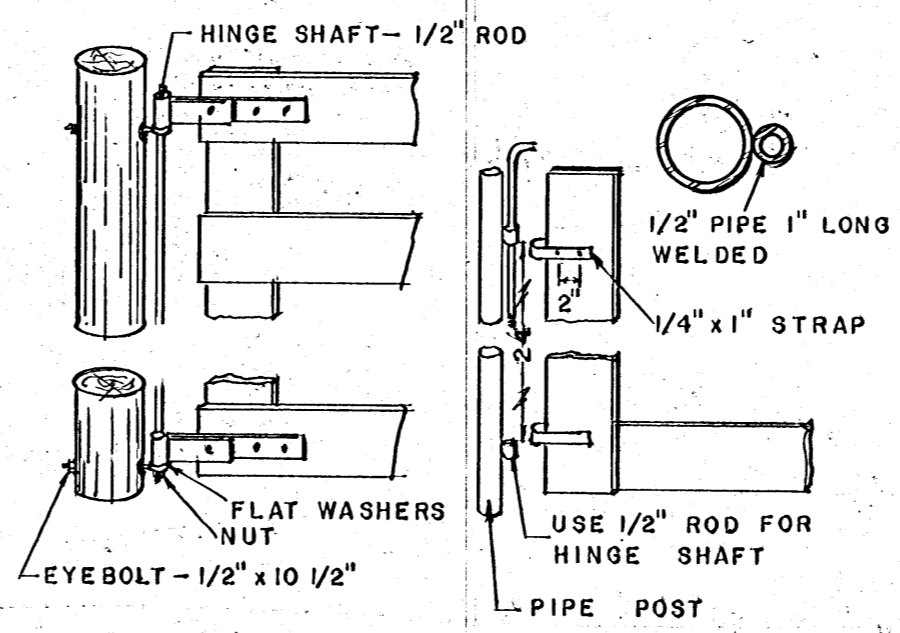
FRONT ELEVATION
SCALE: 1/4" = 1'-0"

CUTTING LIST

ITEM	DESCRIPTION	QUANTITY
A	4" TOP x 12'-0" POLES	PRESSURE TREATED
B	4" TOP x 10'-0" POLES	PRESSURE TREATED
C	2" x 8" x 16'-0"	
D	2" x 8" x 16'-0"	ON END BAYS
E	2" x 8" x 14'-0"	ON INTERMEDIATE BAYS
F	2" x 2" x 12"	
G	16'-0" x 26"	CORR. METAL
H	2" x 6" x 4'-0"	
I	1/2" x 9"	BOLTS

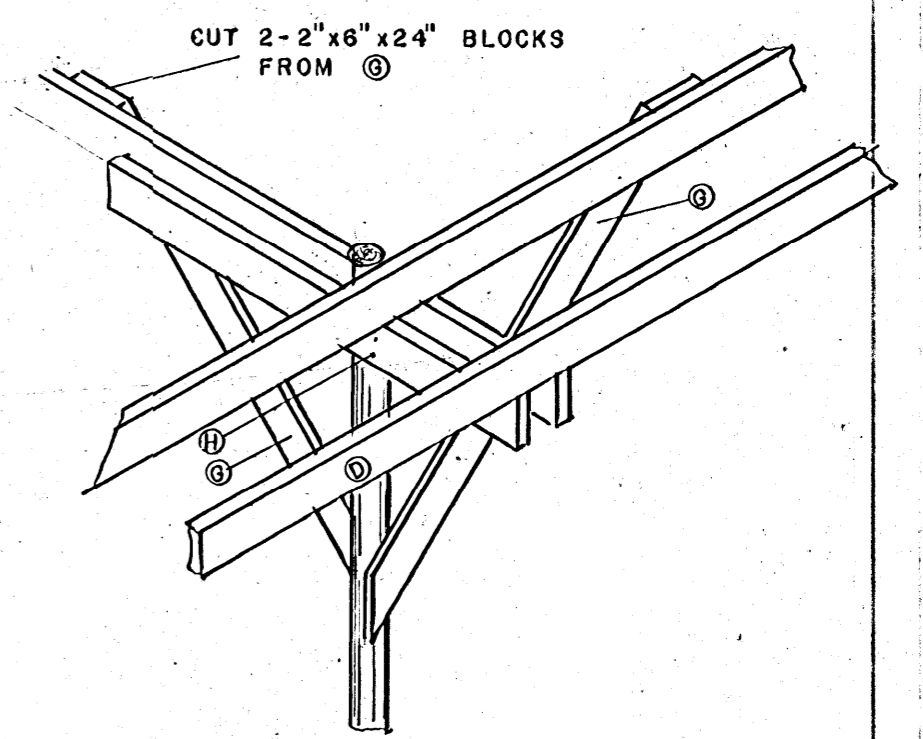


PERSPECTIVE

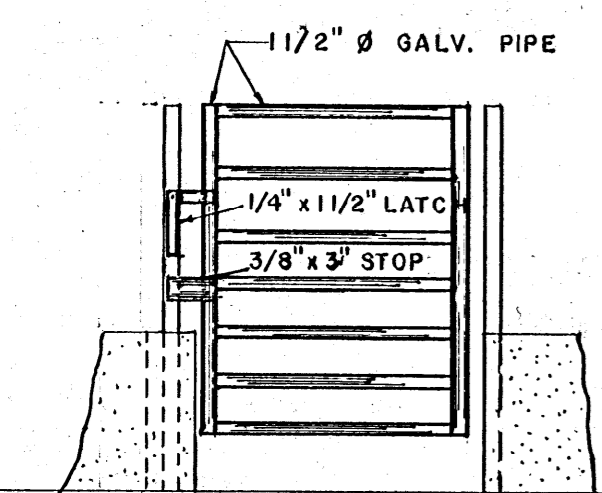


NOTE: THIS TYPE HINGE COULD BE USED

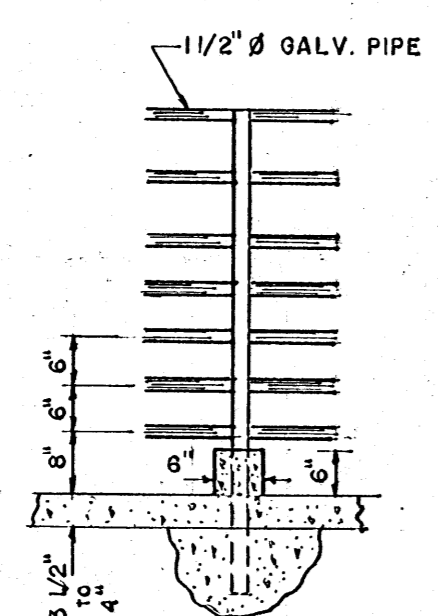
HINGES
NOT TO SCALE



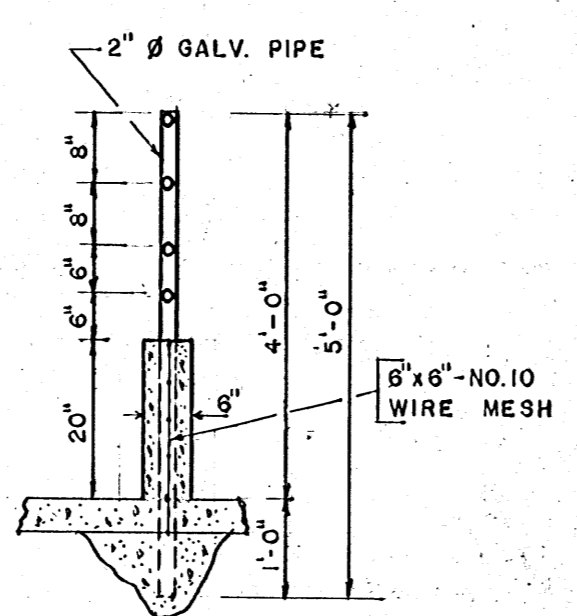
CORNER DETAIL
NOT TO SCALE



GATE DETAIL
SCALE: 1/2" = 1'-0"



SECTION "A-A"
SCALE: 1/2" = 1'-0"



SECTION "B-B"
SCALE: 1/2" = 1'-0"

HOG HOUSE FOR BOARS

COOPERATIVE EXTENSION SERVICE
STATE OF MISSISSIPPI
MISSISSIPPI STATE UNIVERSITY
AND
UNITED STATES DEPARTMENT OF AGRICULTURE COOPERATING

DRAWN BY: R.F.W. CHECKED BY: L.M.

DATE: JULY '71 DWG. NO. 6074-A SHT. 1 OF 1