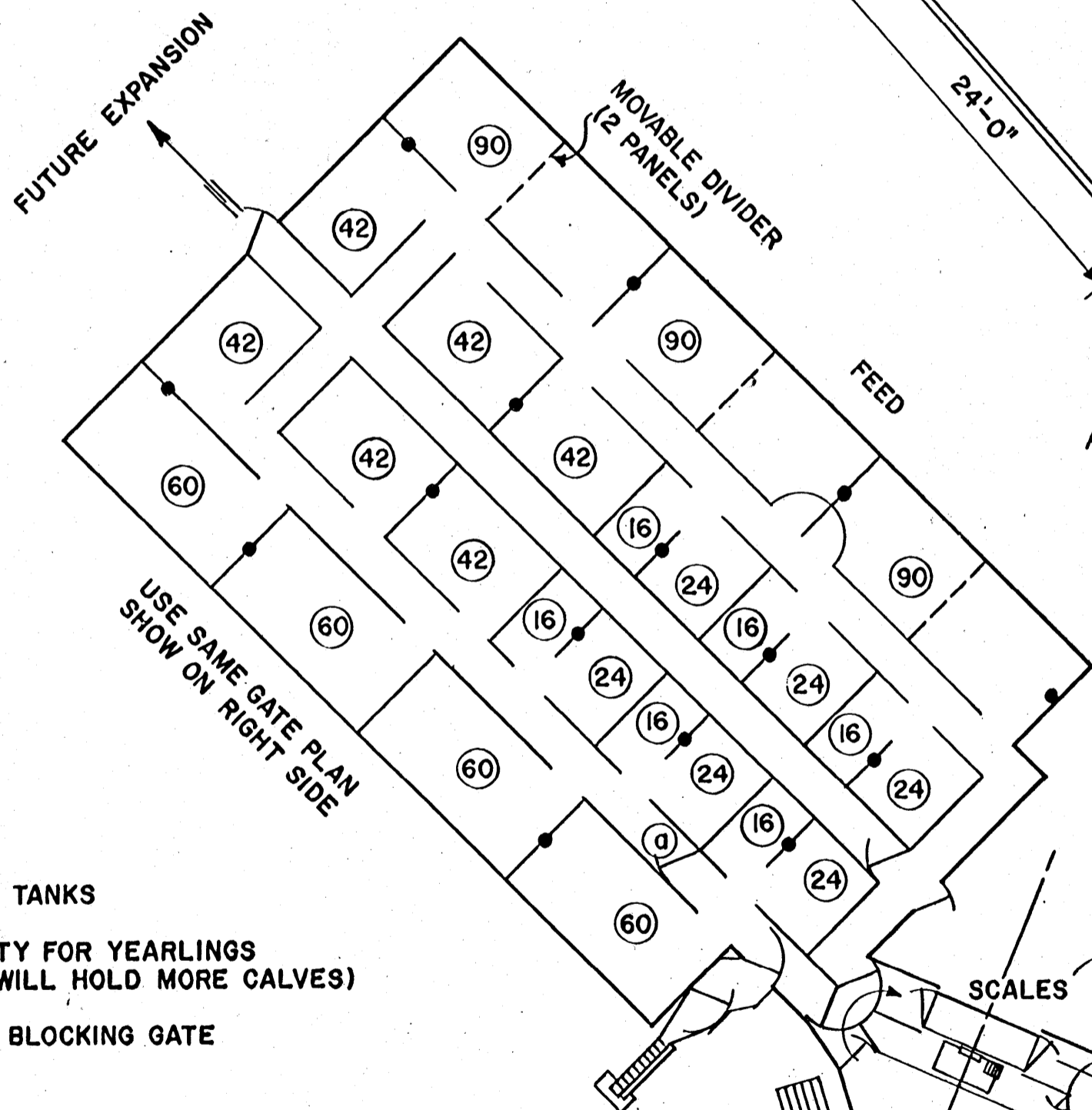
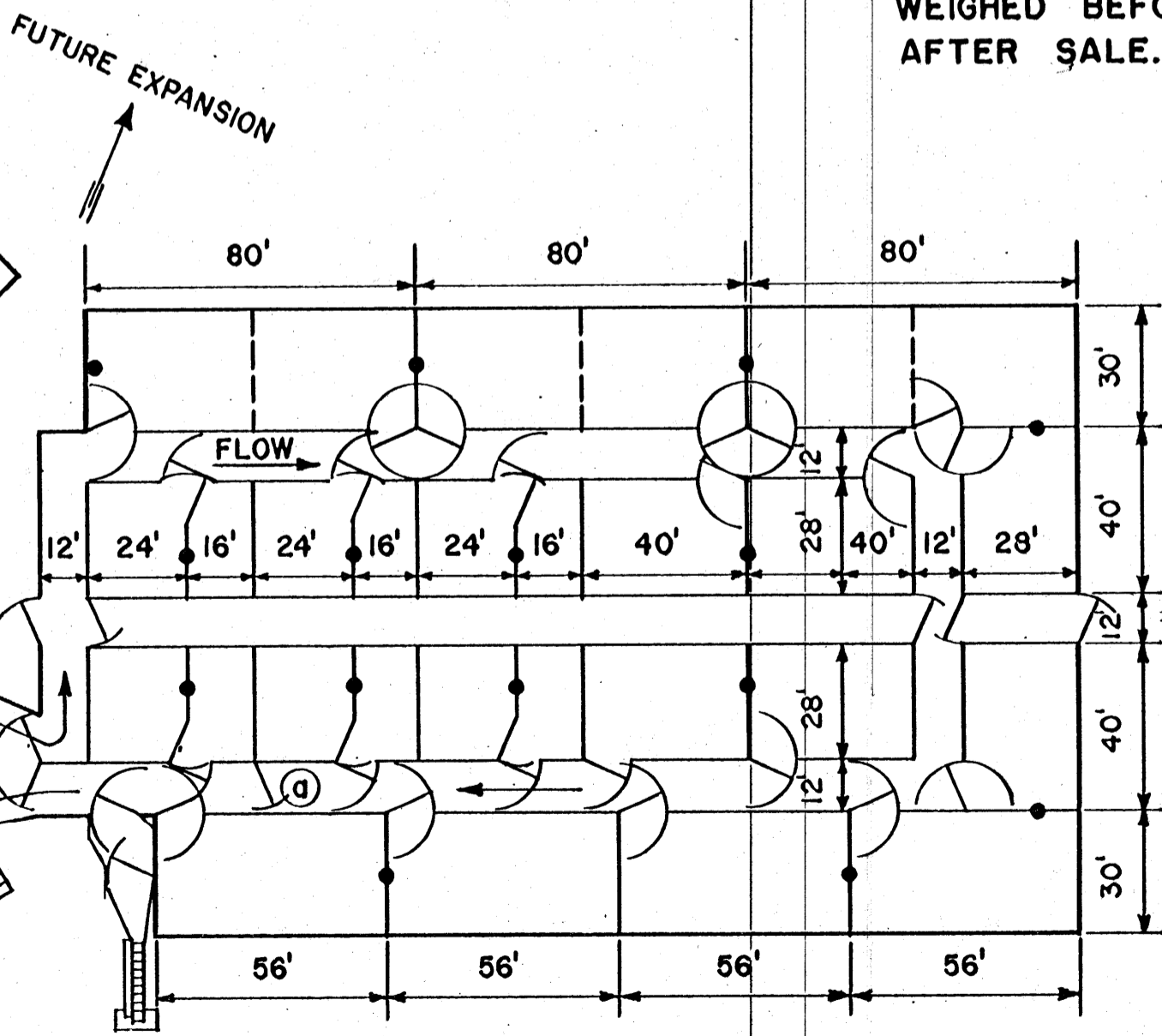


NOTE:
 ONE OF THE PRINCIPAL ADVANTAGES OF
 THIS PLAN IS THAT THE FLOW OF CATTLE
 MAY BE REVERSED. THE CATTLE CAN BE
 WEIGHED BEFORE SELLING OR IMMEDIATELY
 AFTER SALE.



- WATER TANKS
- CAPACITY FOR YEARLINGS
(PENS WILL HOLD MORE CALVES)
- ⓐ ALLEY BLOCKING GATE

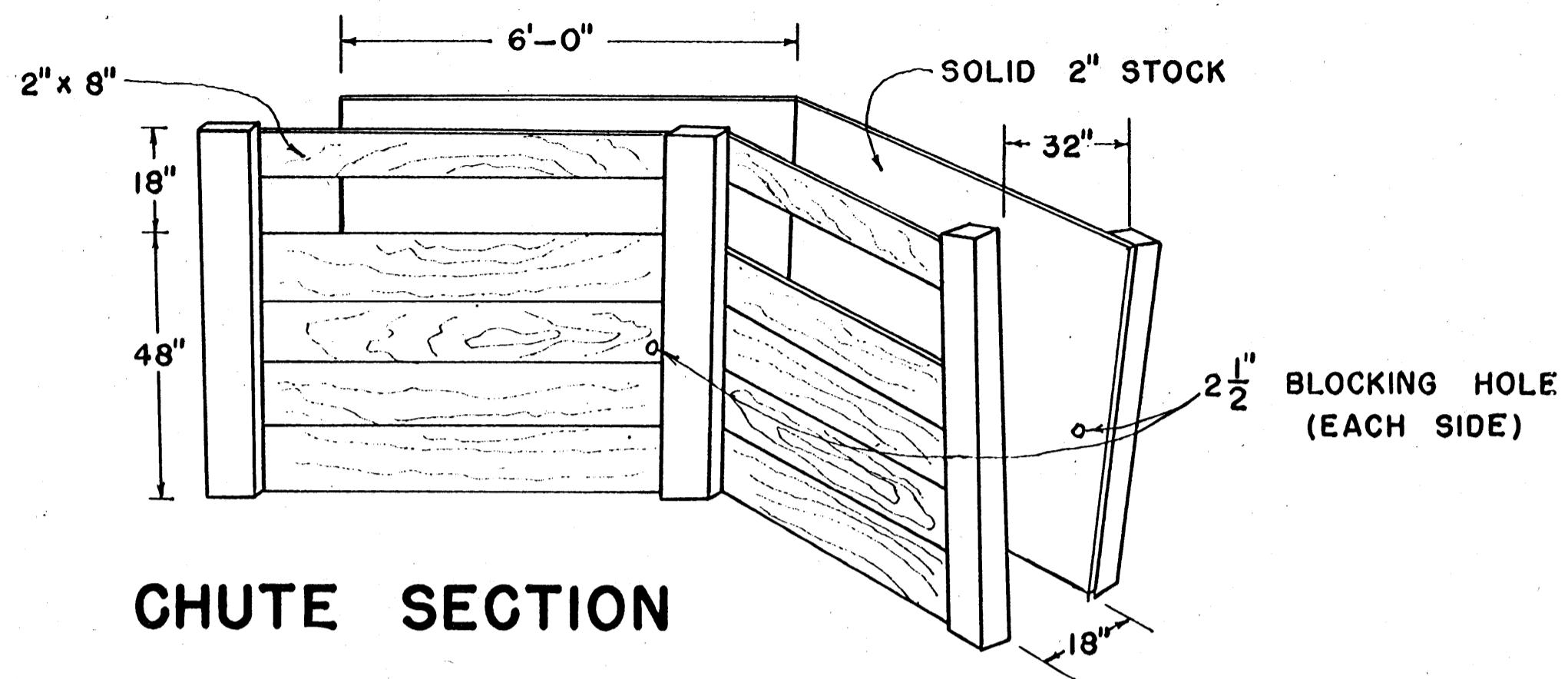
NOTE: ROOFED STRUCTURE
 CAN BE PLACED OVER
 ARENA AND SCALES



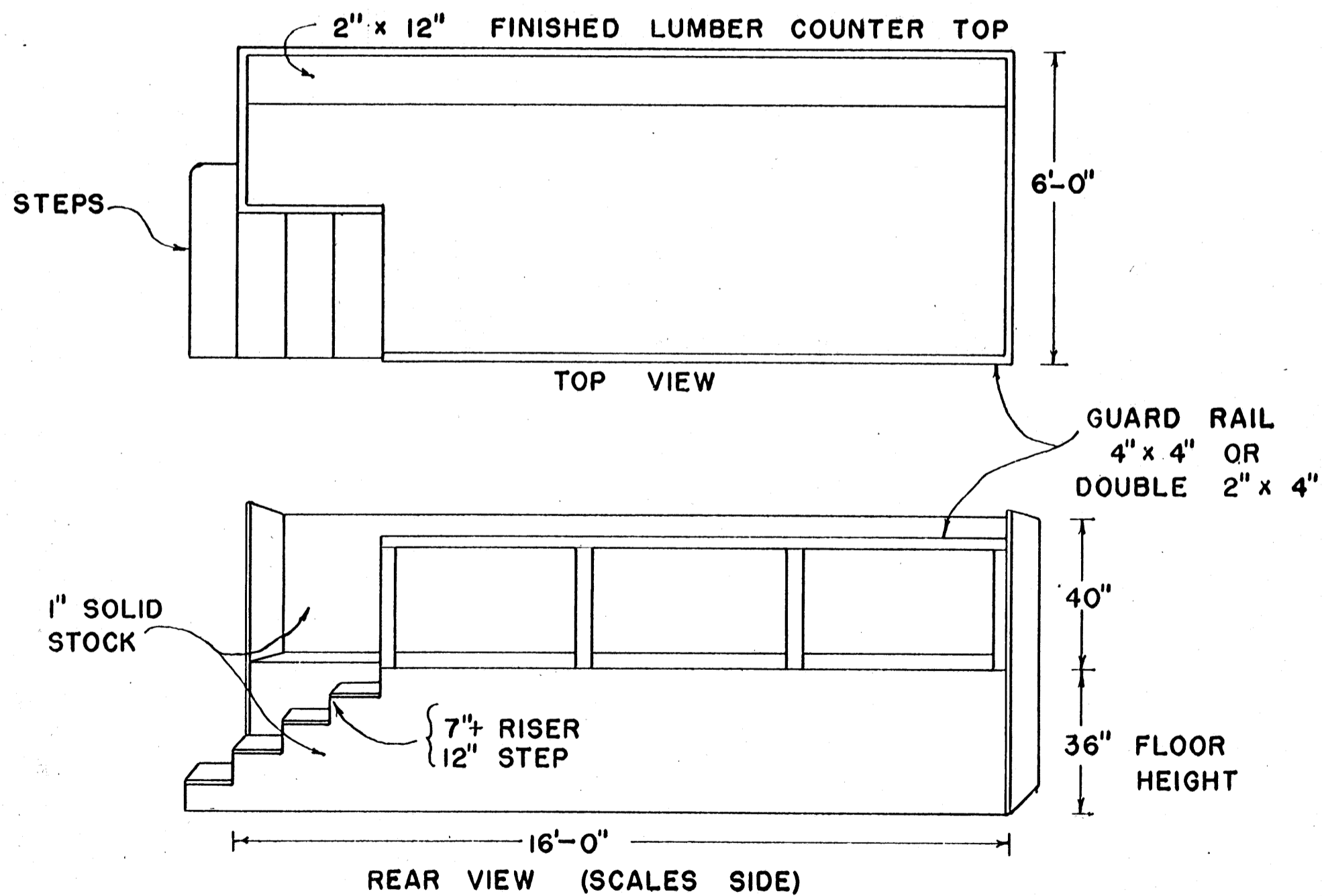
PLAN OF ARENA

DESIGNED BY: A.M. LANE
 ARIZ. PLAN NO. A-160

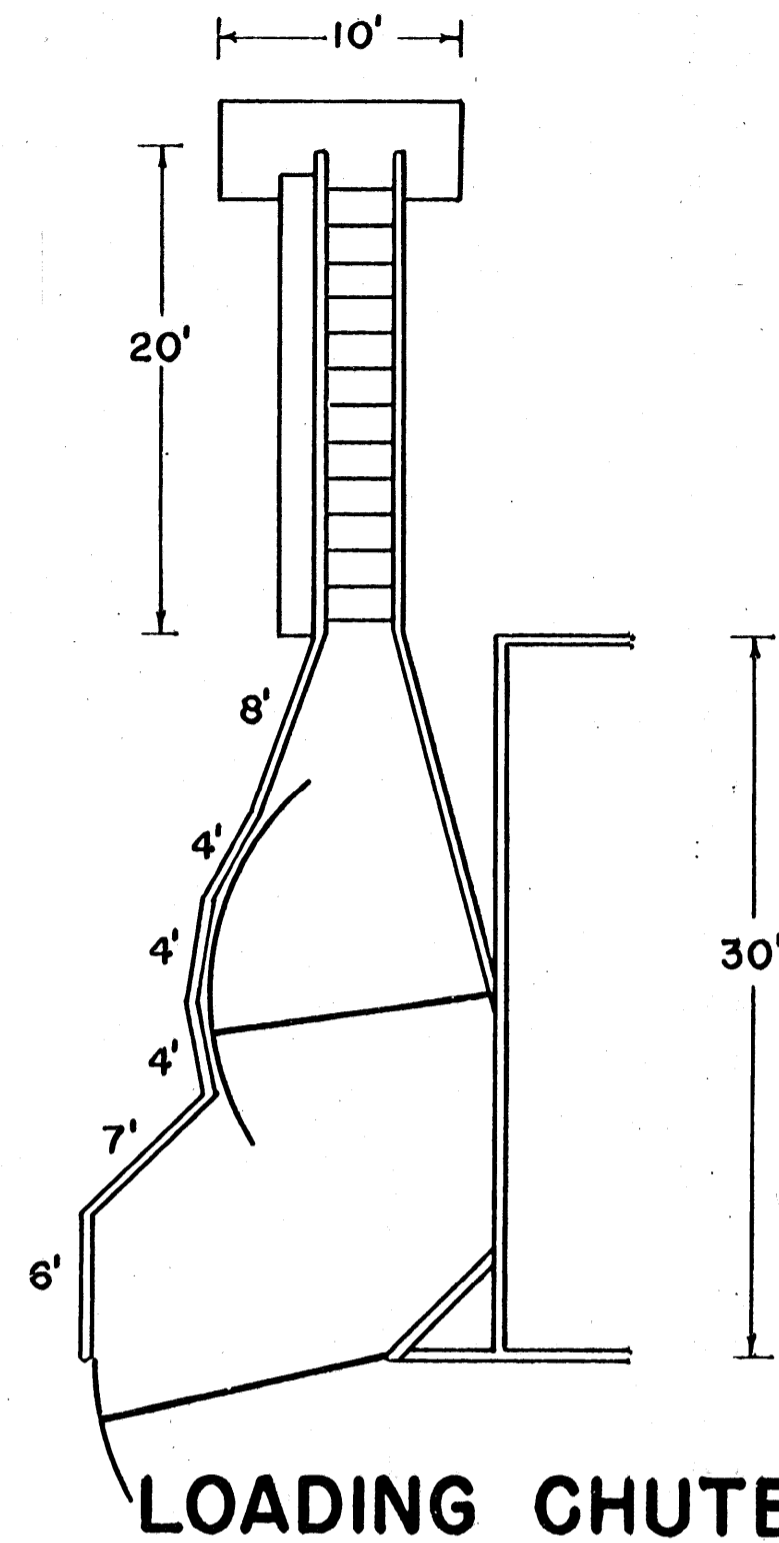
COOPERATIVE EXTENSION WORK IN AGRICULTURE AND HOME ECONOMICS STATE OF MISSISSIPPI MISSISSIPPI STATE UNIVERSITY AND UNITED STATES DEPARTMENT OF AGRICULTURE COOPERATING		
AUCTION YARD FOR LIVESTOCK		
ARIZ. '70	6091	SHEET 1 OF 3



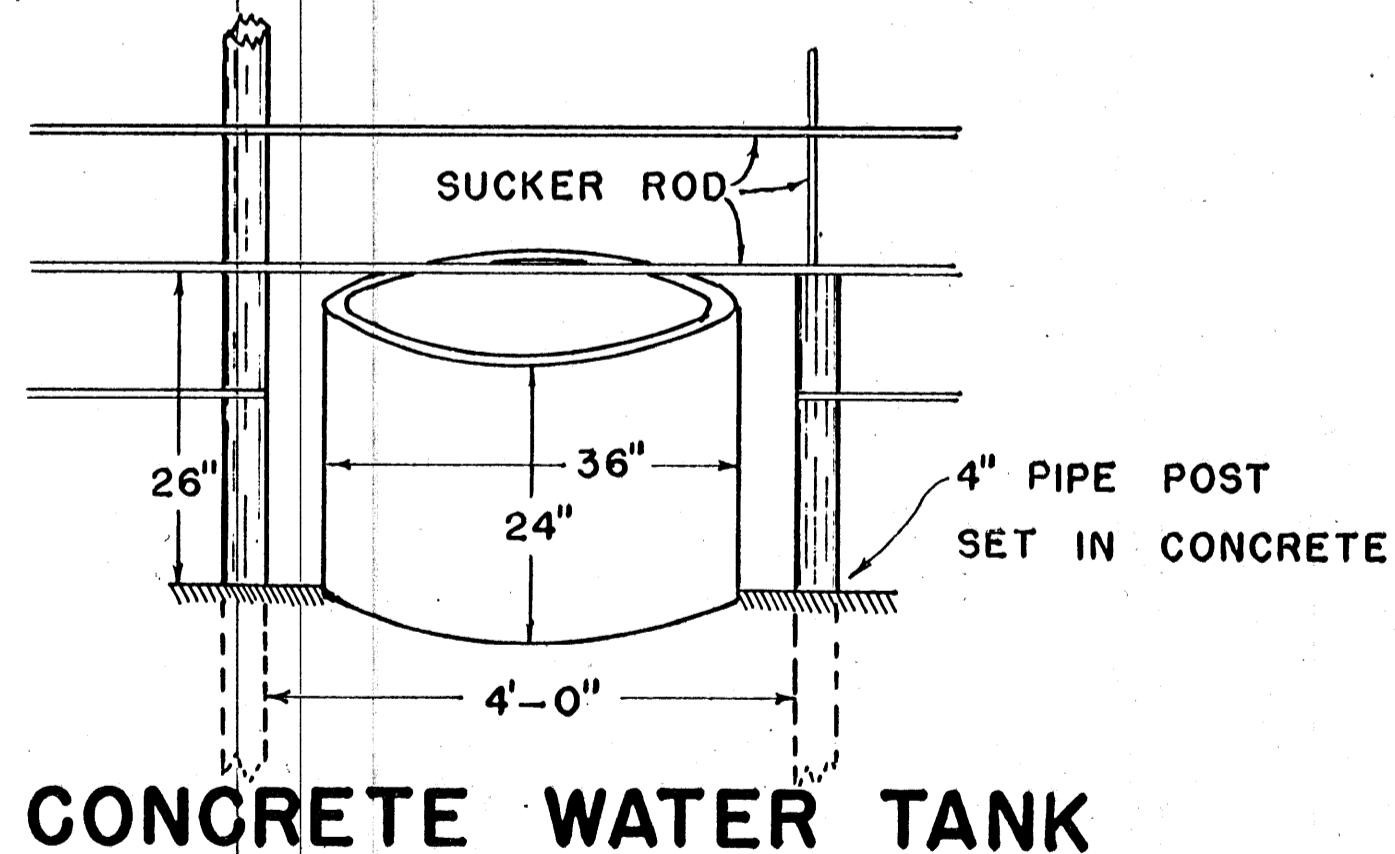
CHUTE SECTION



AUCTION BOX

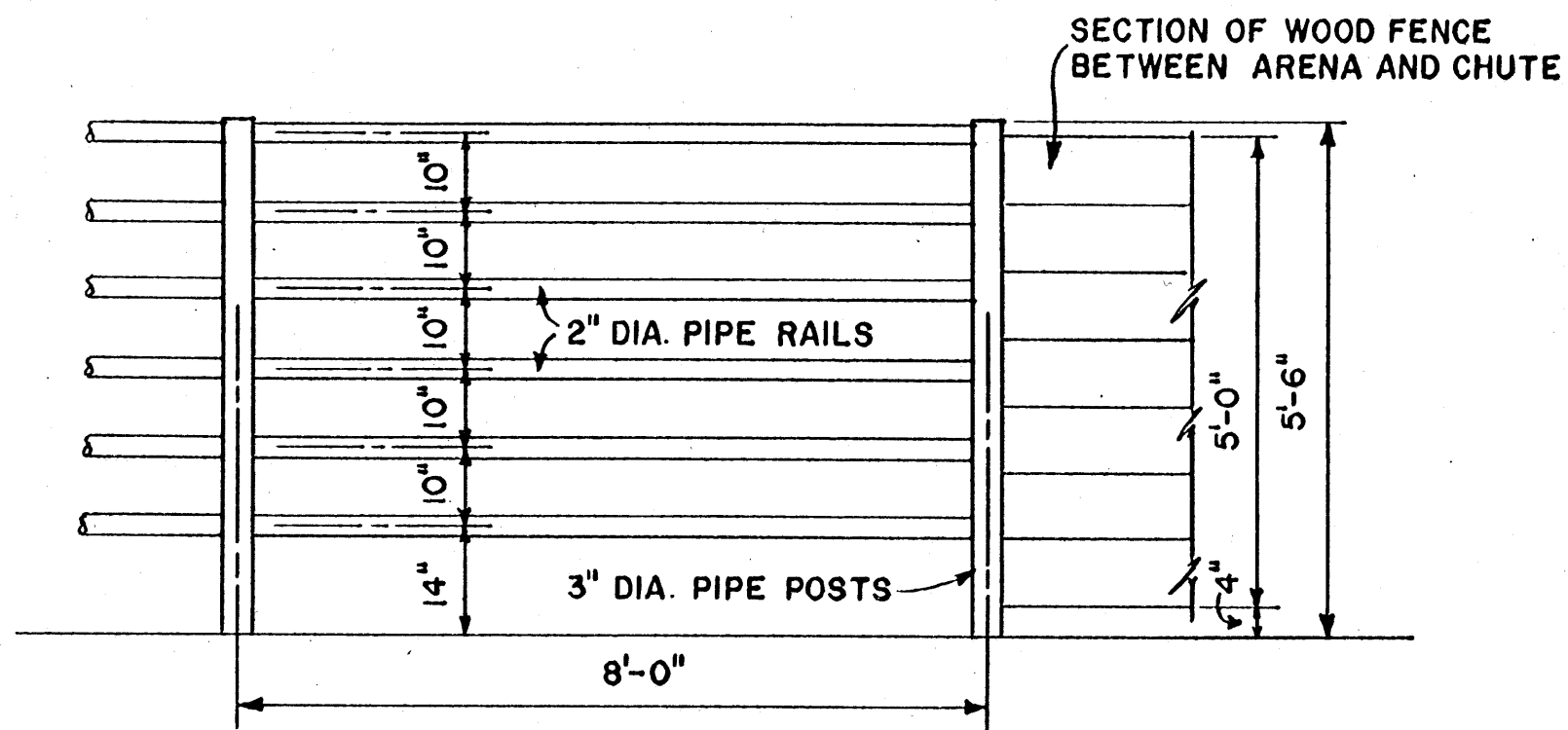


LOADING CHUTE

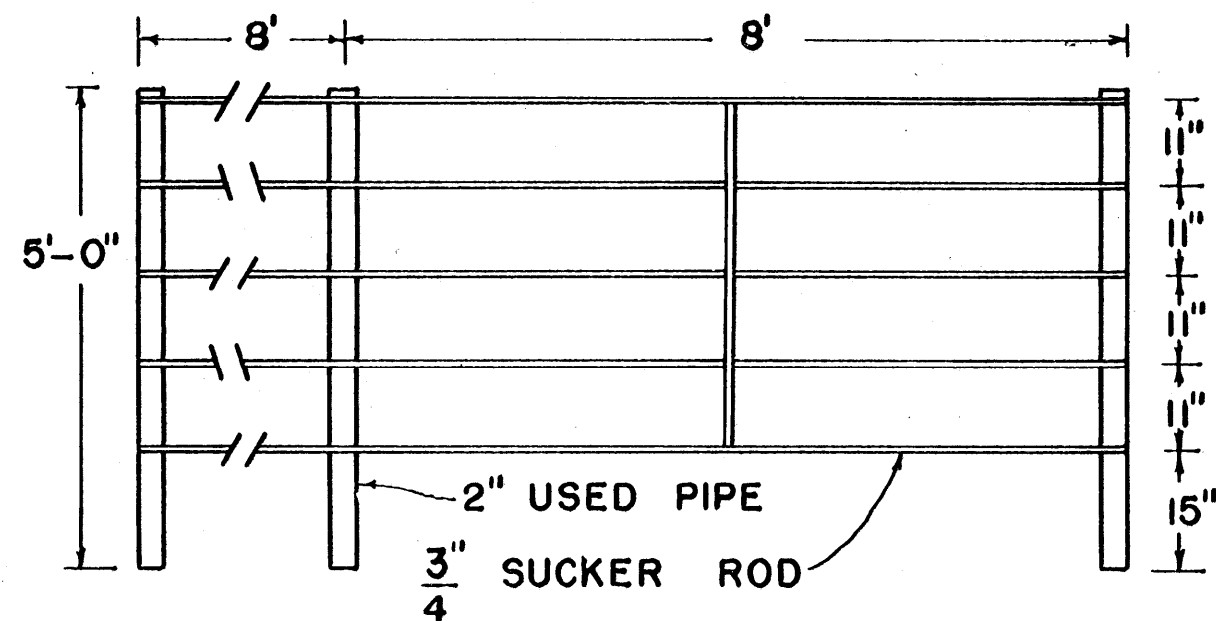


CONCRETE WATER TANK

COOPERATIVE EXTENSION WORK IN AGRICULTURE AND HOME ECONOMICS STATE OF MISSISSIPPI MISSISSIPPI STATE UNIVERSITY AND UNITED STATES DEPARTMENT OF AGRICULTURE COOPERATING		
AUCTION YARD FOR LIVESTOCK		
ARIZ. '70	6091	SHEET 2 OF 3

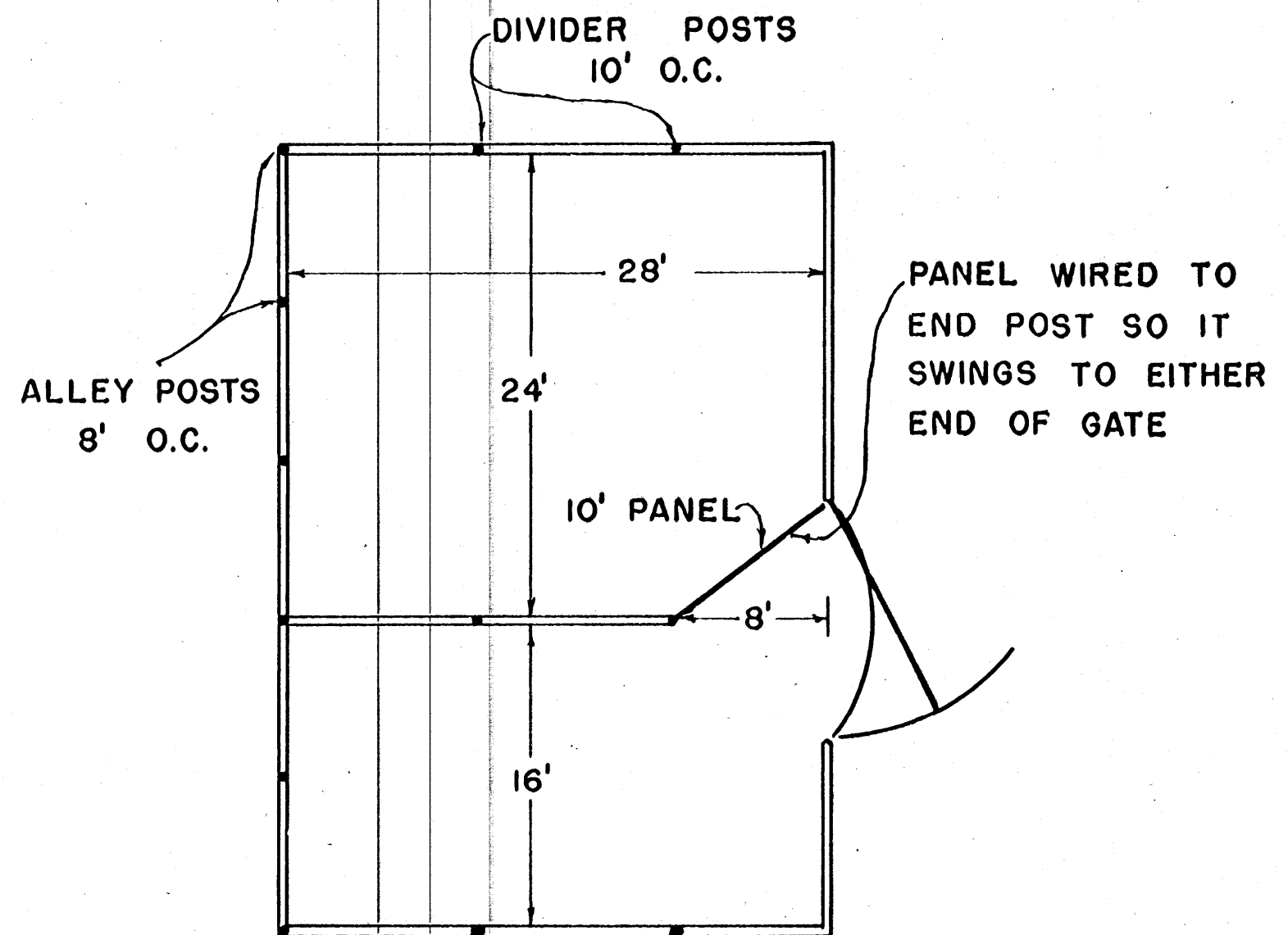


TYPICAL PIPE & BOARD FENCE

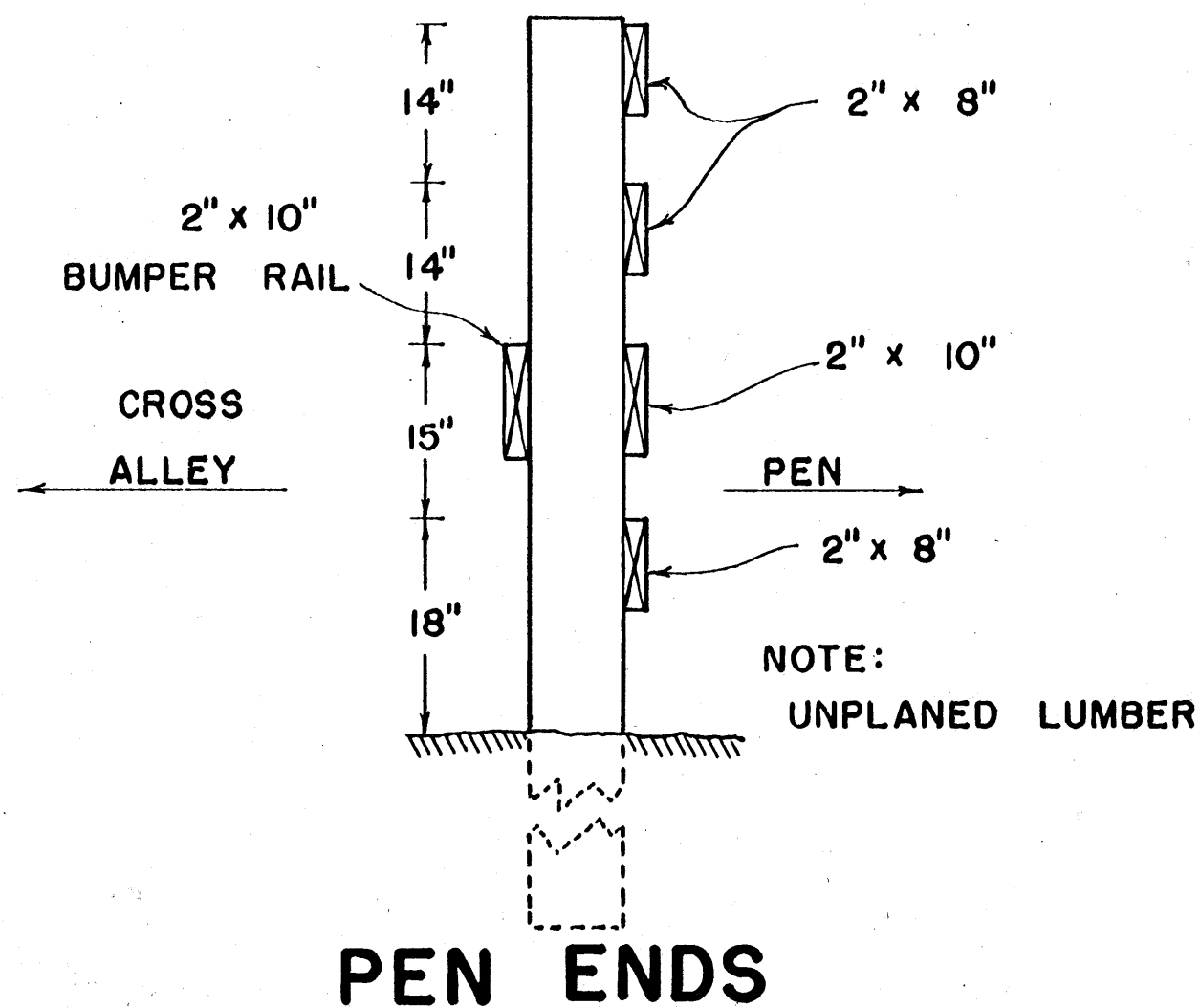


NOTE: 20' PANELS PROPORTIONATELY LONGER
16' PORTABLE PANEL (WELDED)

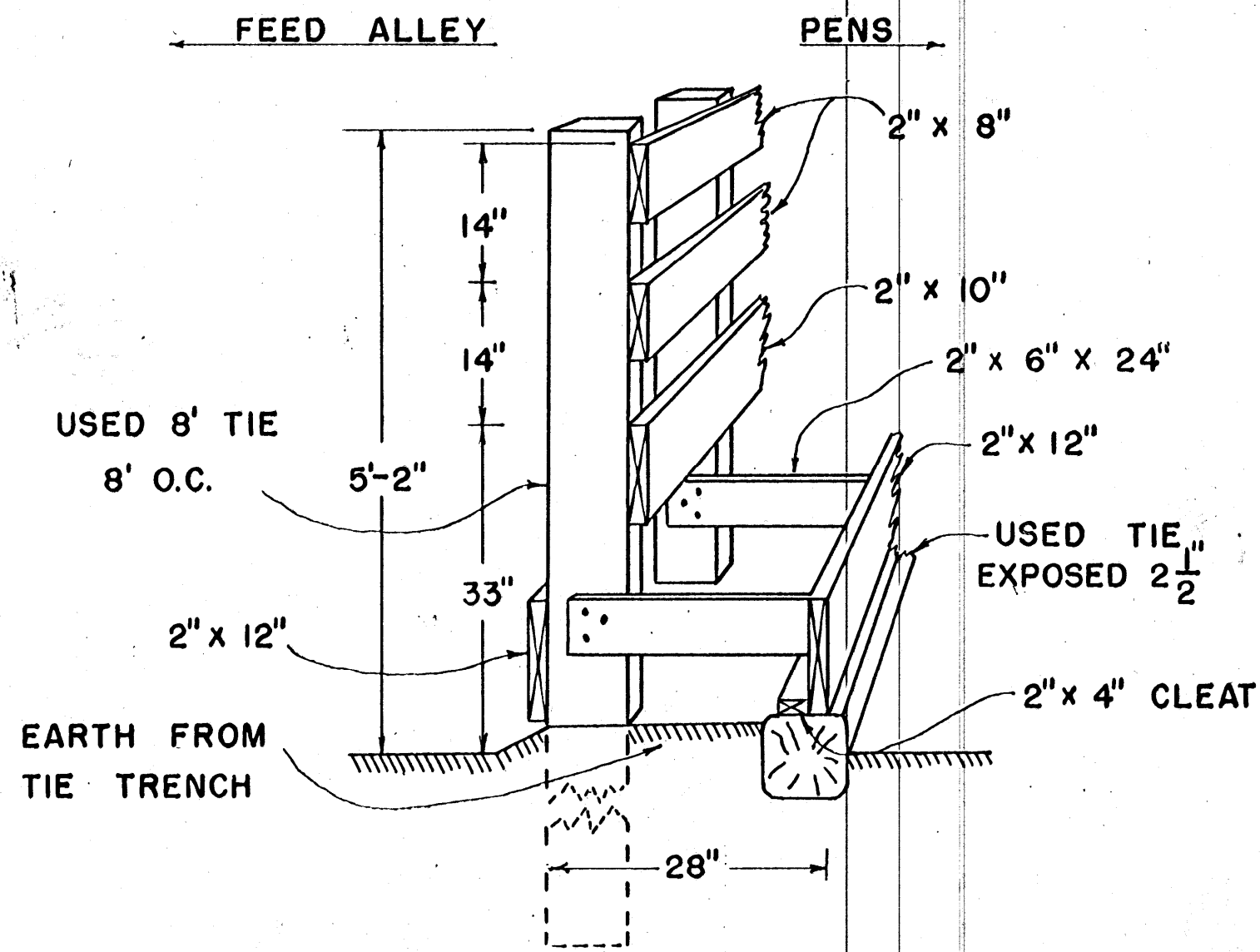
ALTERNATE SHOWING USE OF SUCKER ROD



SMALL PEN



PEN ENDS



FEED ALLEY FENCE

COOPERATIVE EXTENSION WORK IN AGRICULTURE AND HOME ECONOMICS		
STATE OF MISSISSIPPI		
MISSISSIPPI STATE UNIVERSITY		
AND UNITED STATES DEPARTMENT OF AGRICULTURE COOPERATING		
AUCTION YARD FOR LIVESTOCK		
ARIZ. '70	6091	SHEET 3 OF 3