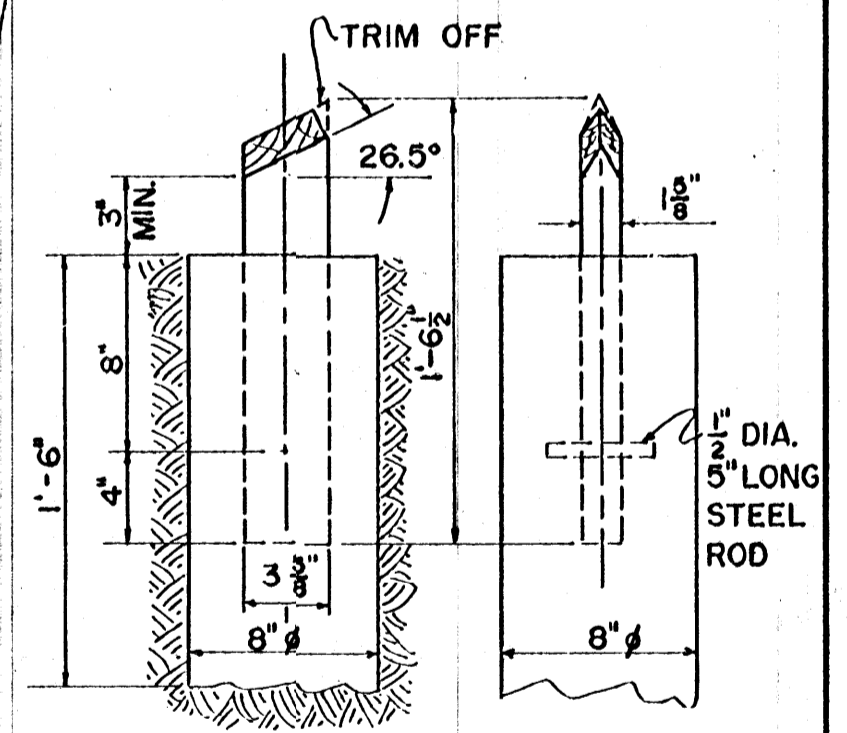
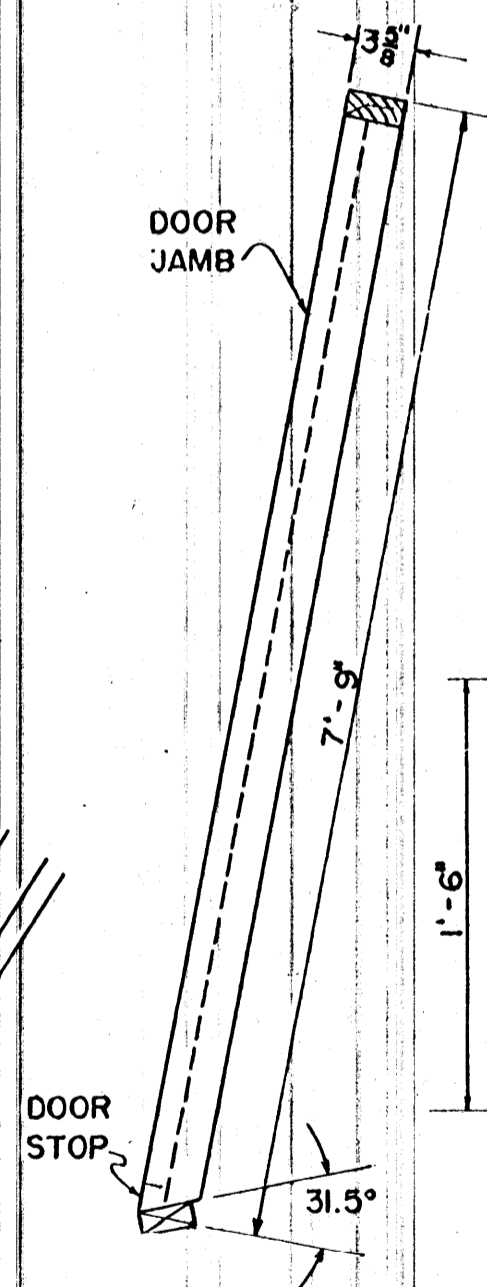


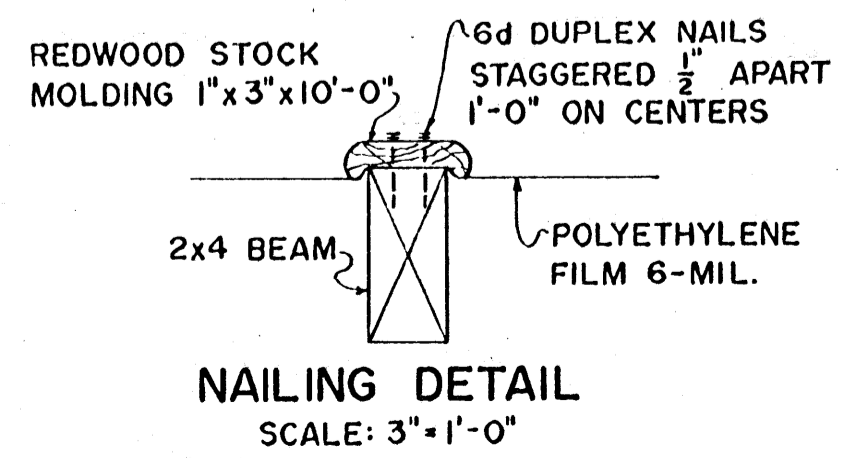
**LAYOUT PLAN FOR FILM SECTIONS**  
SCALE: 1/2" = 10'-0"



**DETAIL OF ANCHOR STAKE**  
SCALE: 1 1/2" = 1'-0"

**COVERING PROCEDURES**

1. 6 MIL. POLY FILM SHOULD BE ORDERED IN 100'-0" ROLL, 10'-0" WIDE.
2. THIS SECTION WILL COVER 3 TRIANGULAR SURFACES; ONE CROWN AND TWO SIDE SURFACES.



COOPERATIVE EXTENSION WORK IN AGRICULTURE AND HOME ECONOMICS

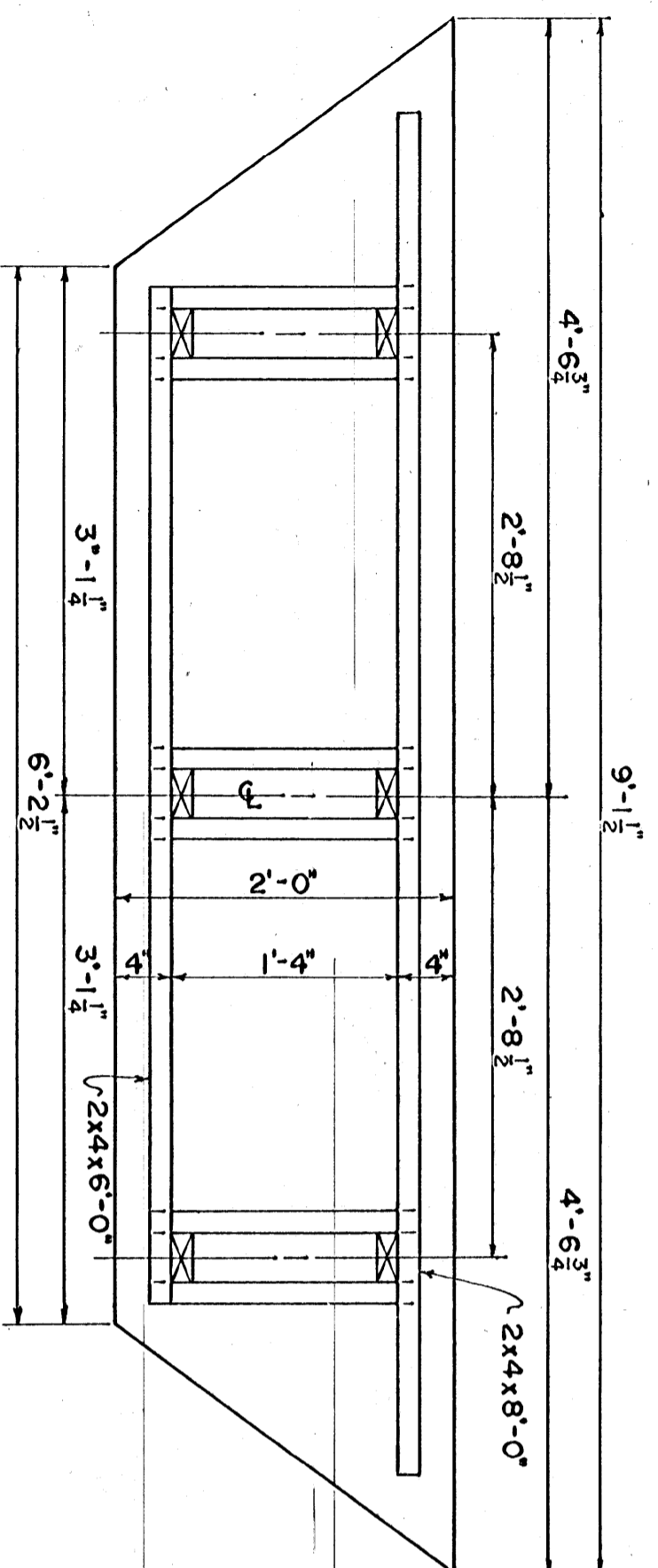
STATE OF MISSISSIPPI

MISSISSIPPI STATE UNIVERSITY

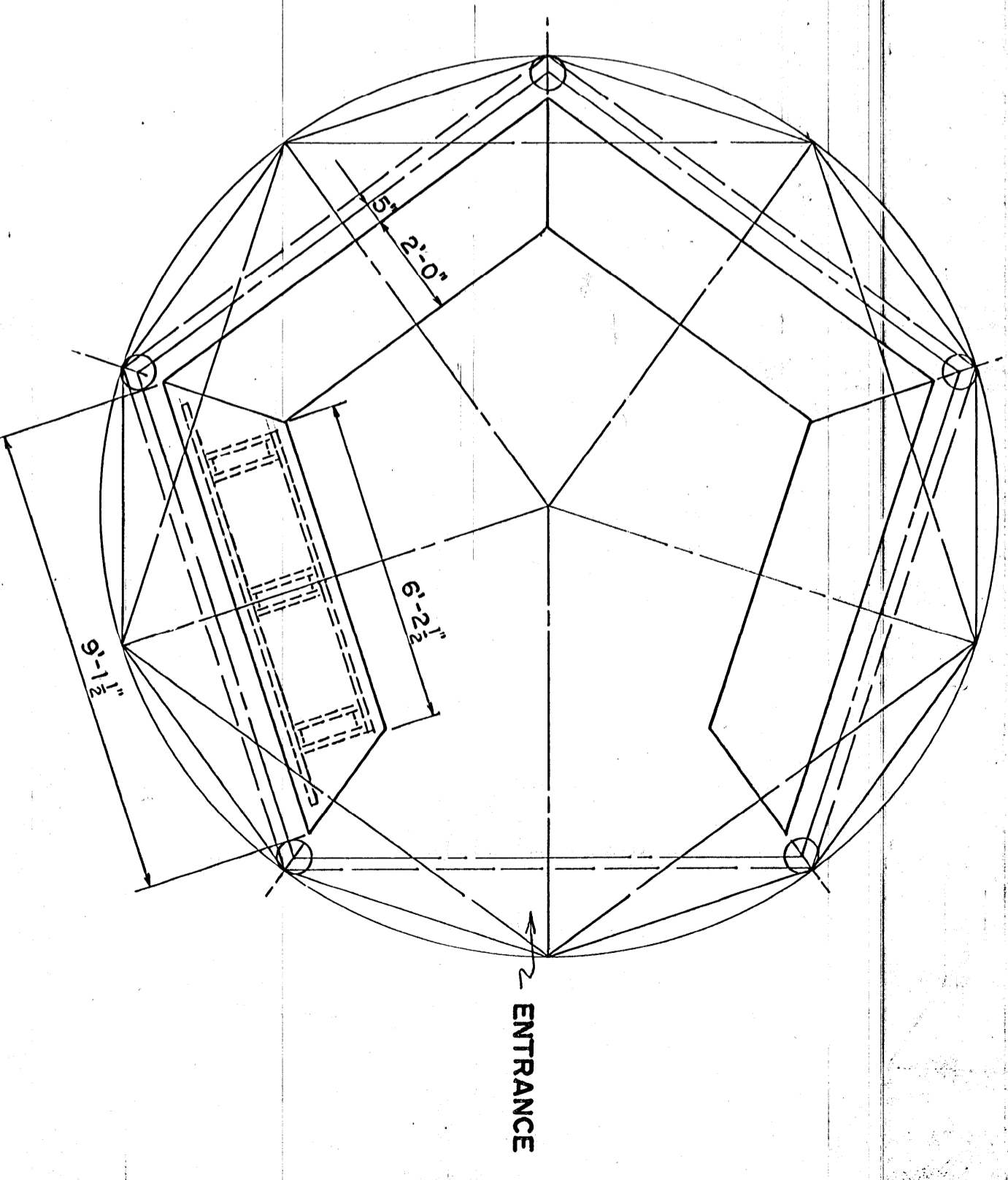
UNITED STATES DEPARTMENT OF AGRICULTURE COOPERATING

**TRI-PENTA GREENHOUSE**

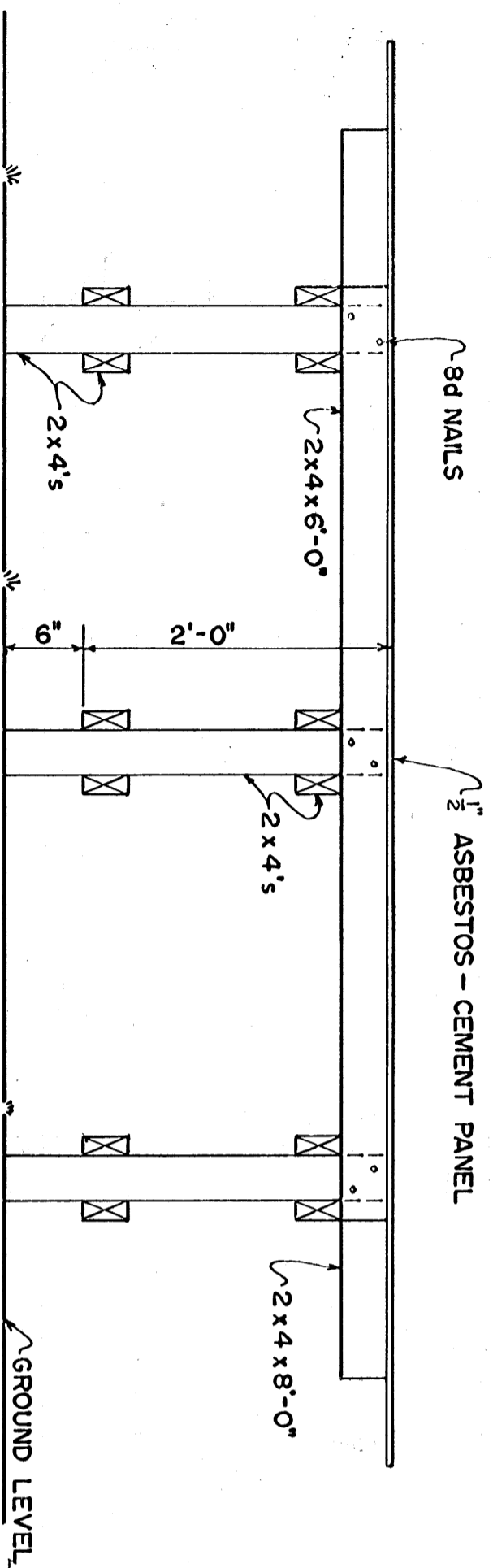
USDA '71	6097	SHEET 2 OF 3
----------	------	--------------



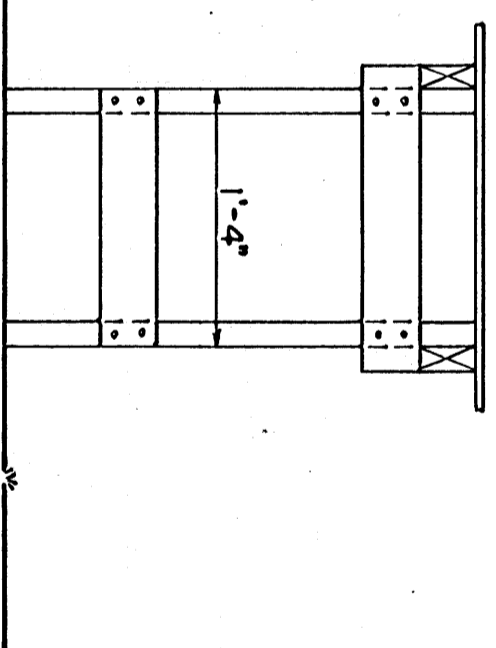
**PLAN OF BENCH**  
 4 REQUIRED  
 (SHOWING FRAME BELOW PANEL TOP)



**ARRANGEMENT OF BENCHES**  
 SCALE:  $\frac{3}{8}$ " = 1'-0"



**FRONT ELEVATION**



**END ELEVATION**