

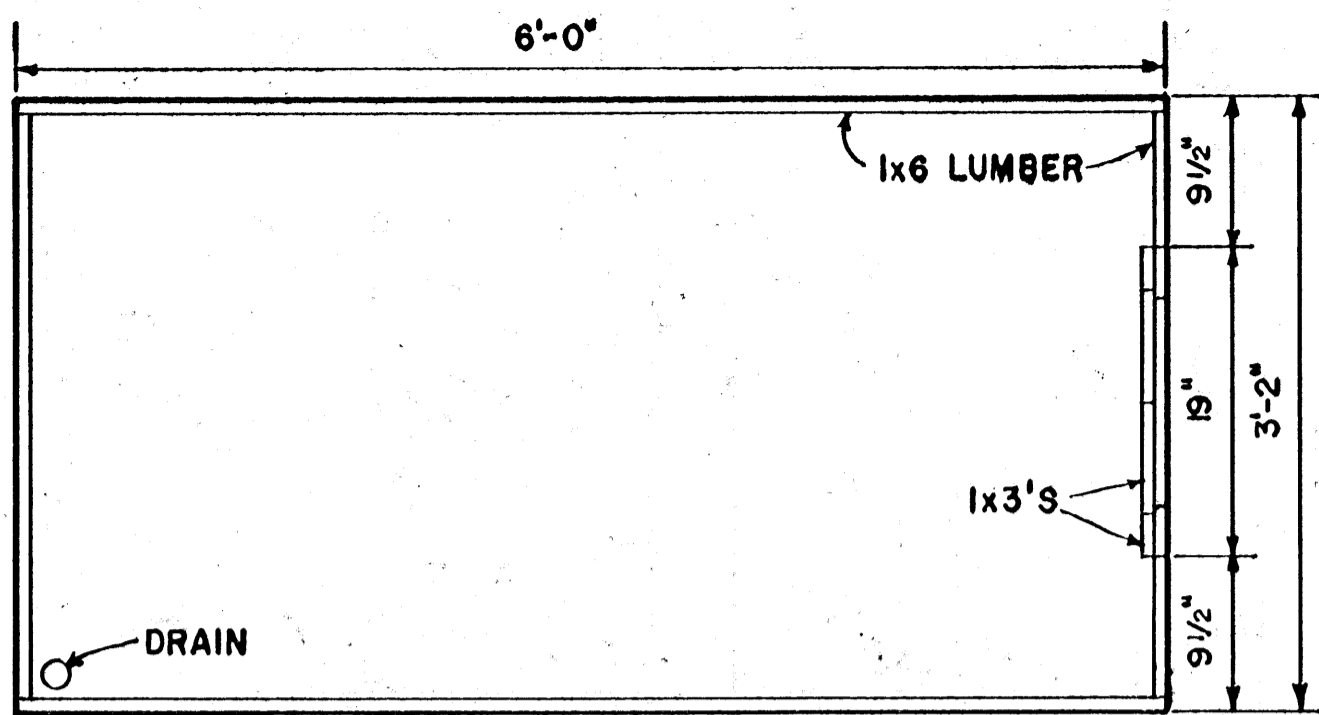
NOTES:

- ① LAMP UNIT WITH TIME CLOCK (SEE SHEET 3)
- ② POT HOLDER FRAME (SEE SHEET 2)
- ③ TRAY (SEE SHEET 2)
- ④ WATERING SYSTEM WITH TIME CLOCK (SEE SHEET 2)

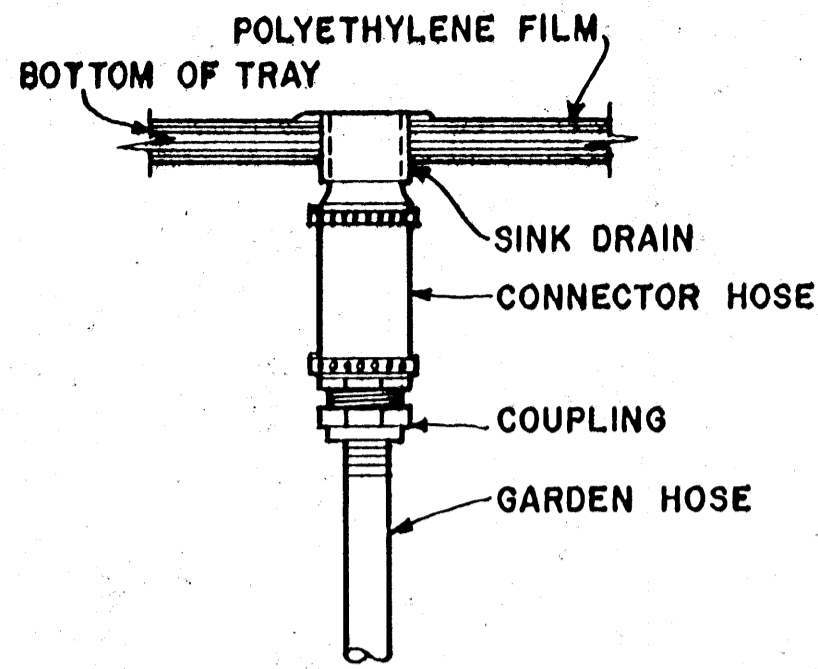
COOPERATIVE EXTENSION WORK IN
AGRICULTURE AND HOME ECONOMICS
STATE OF MISSISSIPPI
MISSISSIPPI STATE UNIVERSITY
AND
UNITED STATES DEPARTMENT OF AGRICULTURE COOPERATING

PROPAGATION UNIT FOR PLANTS

USDA '70	6101	SHEET 1 OF 3
----------	------	--------------

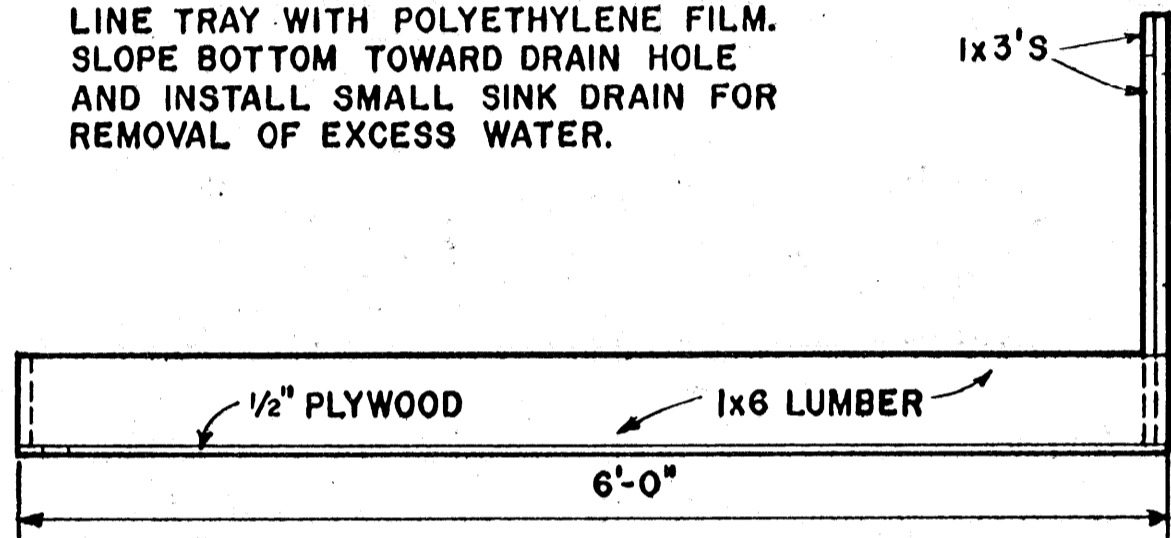


PLAN

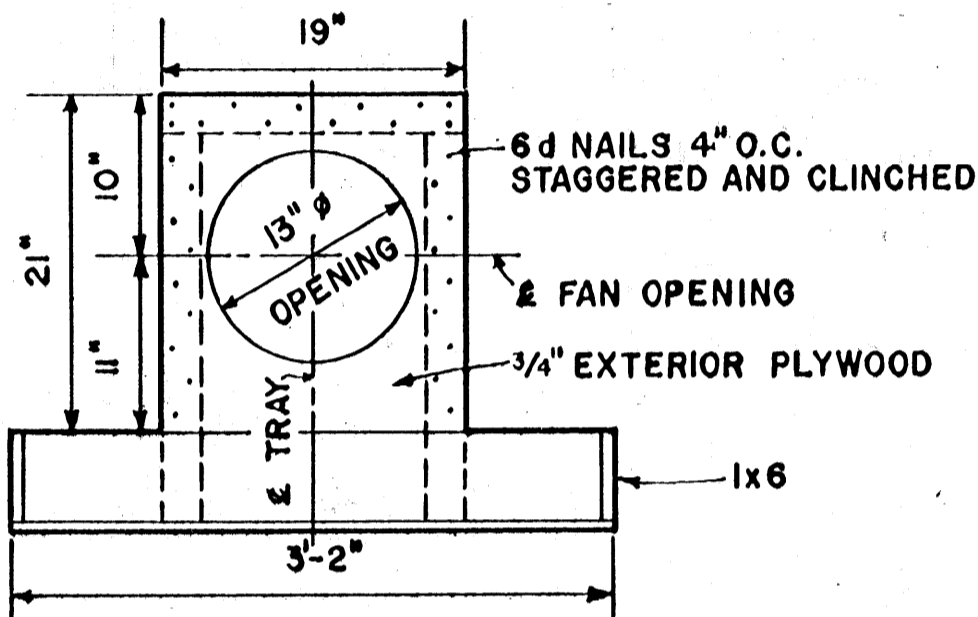


DETAIL OF DRAIN
NO SCALE

NOTE:
LINE TRAY WITH POLYETHYLENE FILM.
SLOPE BOTTOM TOWARD DRAIN HOLE
AND INSTALL SMALL SINK DRAIN FOR
REMOVAL OF EXCESS WATER.

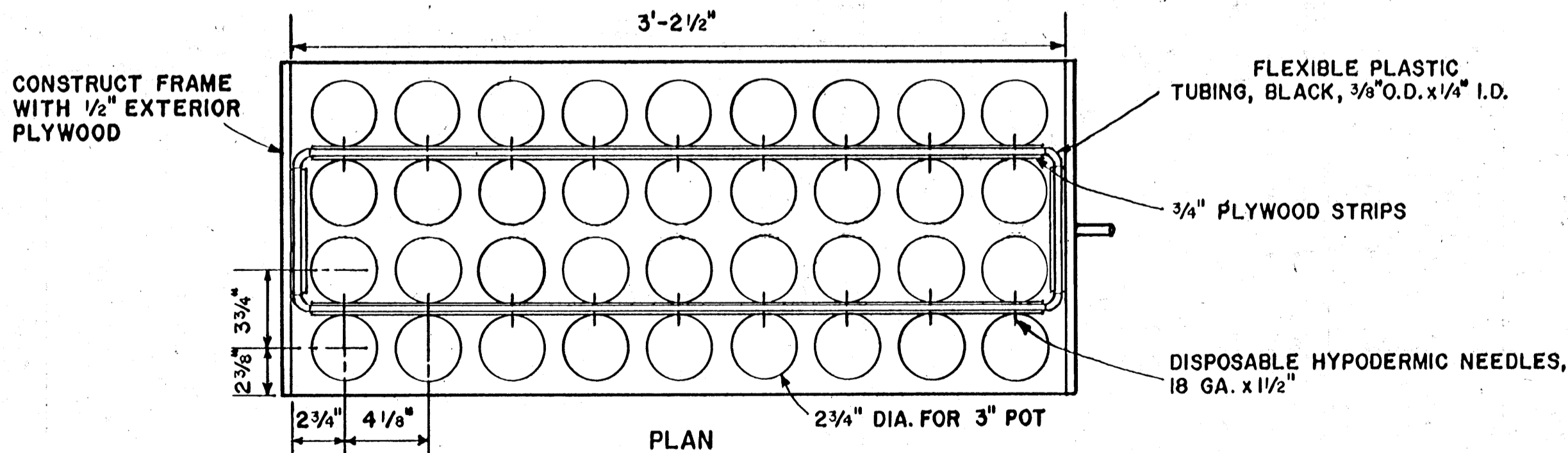


SIDE ELEVATION

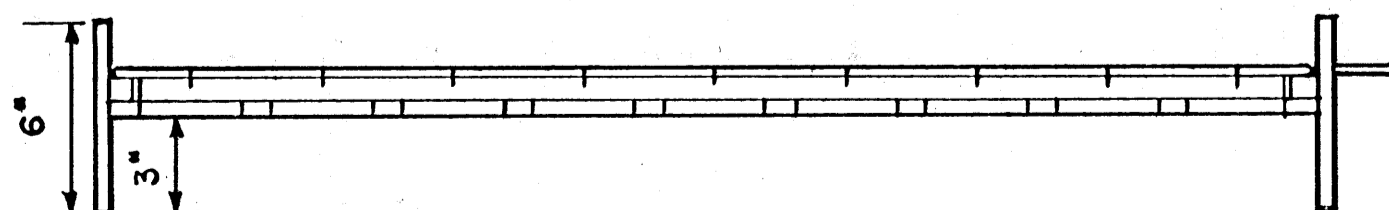


END ELEVATION

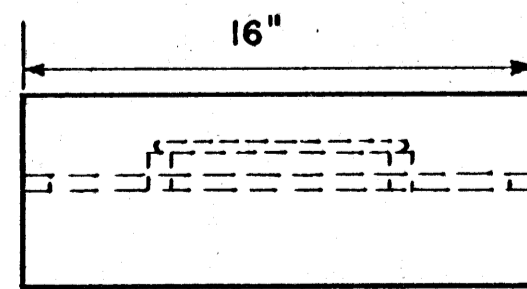
DETAILS OF TRAY
SCALE: 1"=1'-0"



PLAN

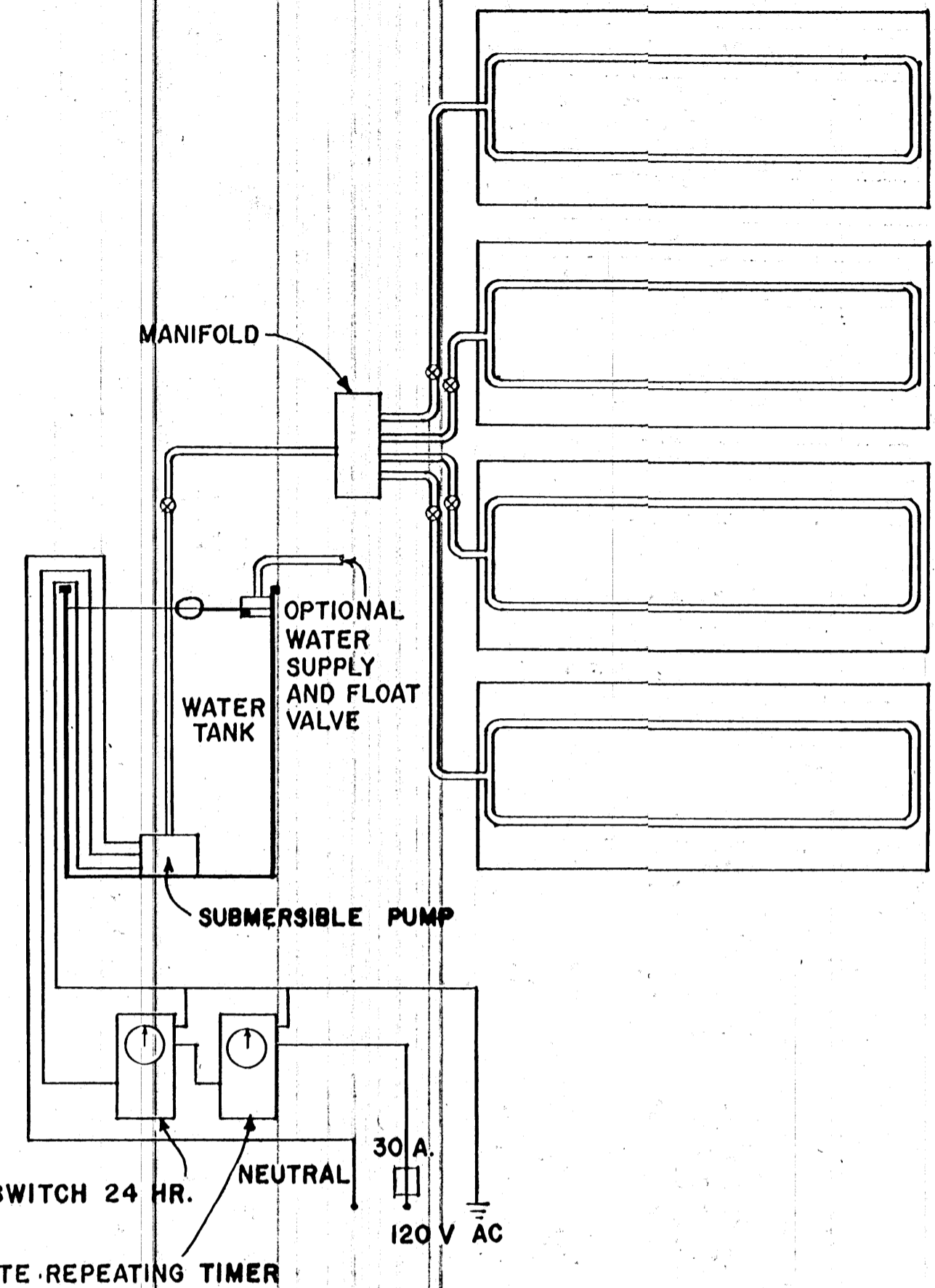


SIDE ELEVATION



END ELEVATION

DETAILS OF POT HOLDER FRAME
NO SCALE



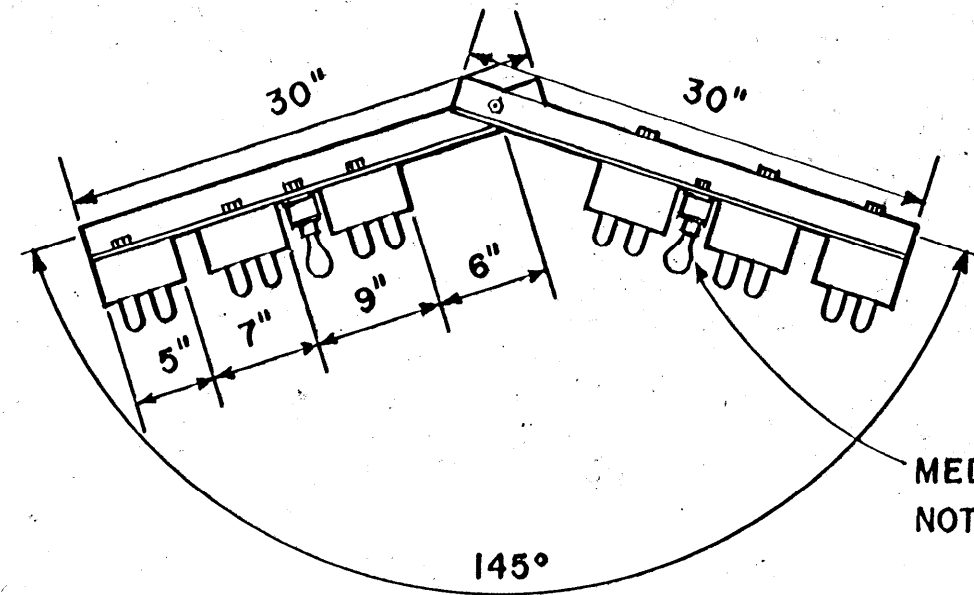
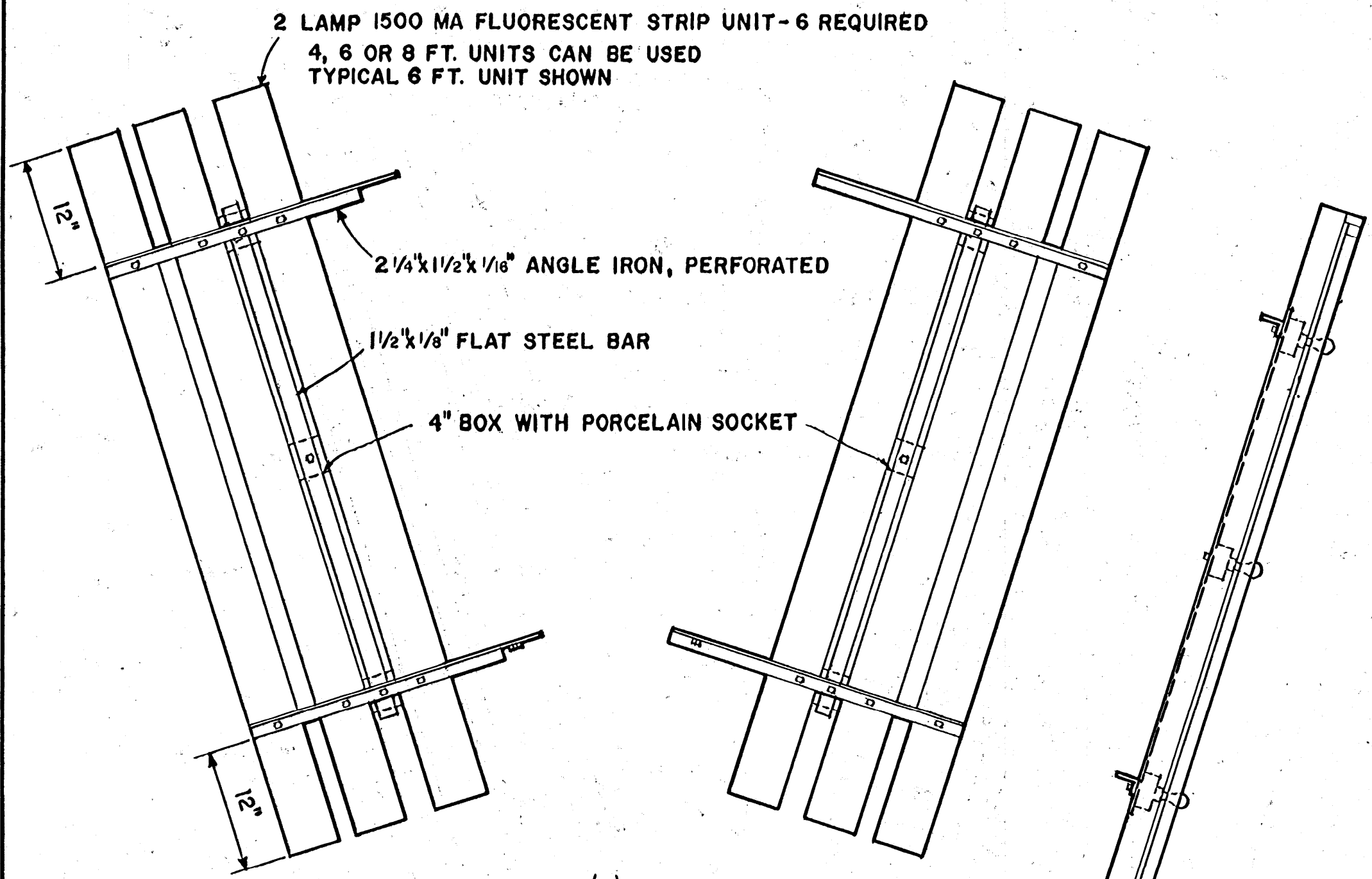
WATERING SYSTEM
WITH TIME CLOCKS
NO SCALE

NOTE:
IF THIS UNIT IS INSTALLED IN A POORLY
VENTILATED OR CLOSED ROOM IT WILL BE
NECESSARY TO AIR CONDITION AS FOLLOWS,
4 FT. LAMP UNITS - 3/4 TON AIR CONDITIONER
6 AND 8 FT. LAMP UNITS - 1 TON AIR CONDITIONER

COOPERATIVE EXTENSION WORK IN
AGRICULTURE AND HOME ECONOMICS
STATE OF MISSISSIPPI
MISSISSIPPI STATE UNIVERSITY
AND
UNITED STATES DEPARTMENT OF AGRICULTURE COOPERATING

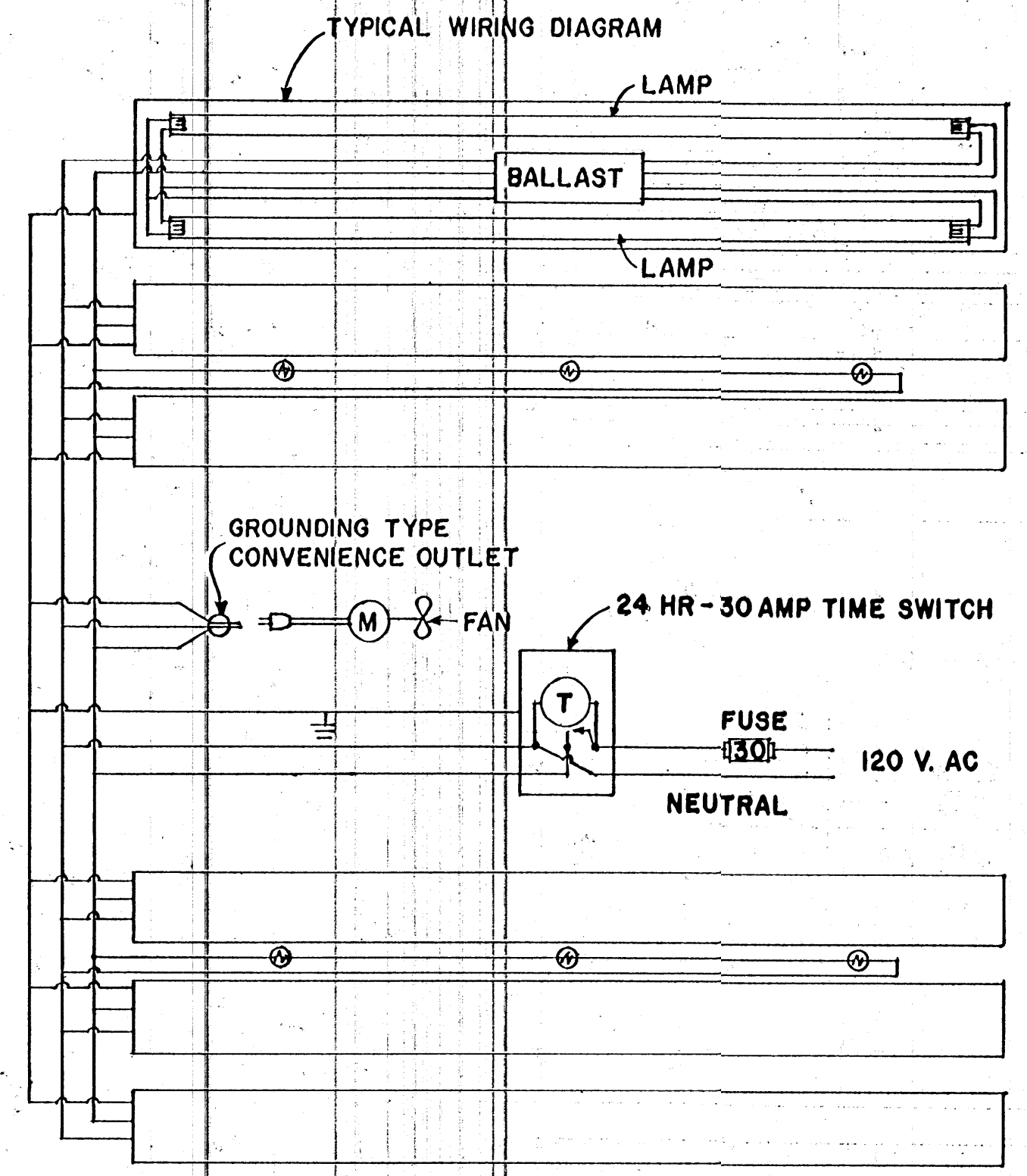
PROPAGATION UNIT FOR PLANTS

USDA '70 6101 SHEET 2 OF 3



MEDIUM INCANDESCENT SOCKET 24" o.c.
 NOTE: INCANDESCENT WATTAGE EQUAL TO 1/4 FLUORESCENT WATTAGE

LAMP UNIT
 SCALE: 1"=1'-0"



WIRING SCHEMATIC
 NO SCALE

NOTE: ALL WIRING MUST MEET THE
 LOCAL AND NATIONAL ELECTRICAL CODES

COOPERATIVE EXTENSION WORK IN
 AGRICULTURE AND HOME ECONOMICS
 STATE OF MISSISSIPPI
 MISSISSIPPI STATE UNIVERSITY
 UNITED STATES DEPARTMENT OF AGRICULTURE COOPERATING

PROPAGATION UNIT FOR PLANTS

USDA '70	6101	SHEET 3 OF 3
----------	------	--------------