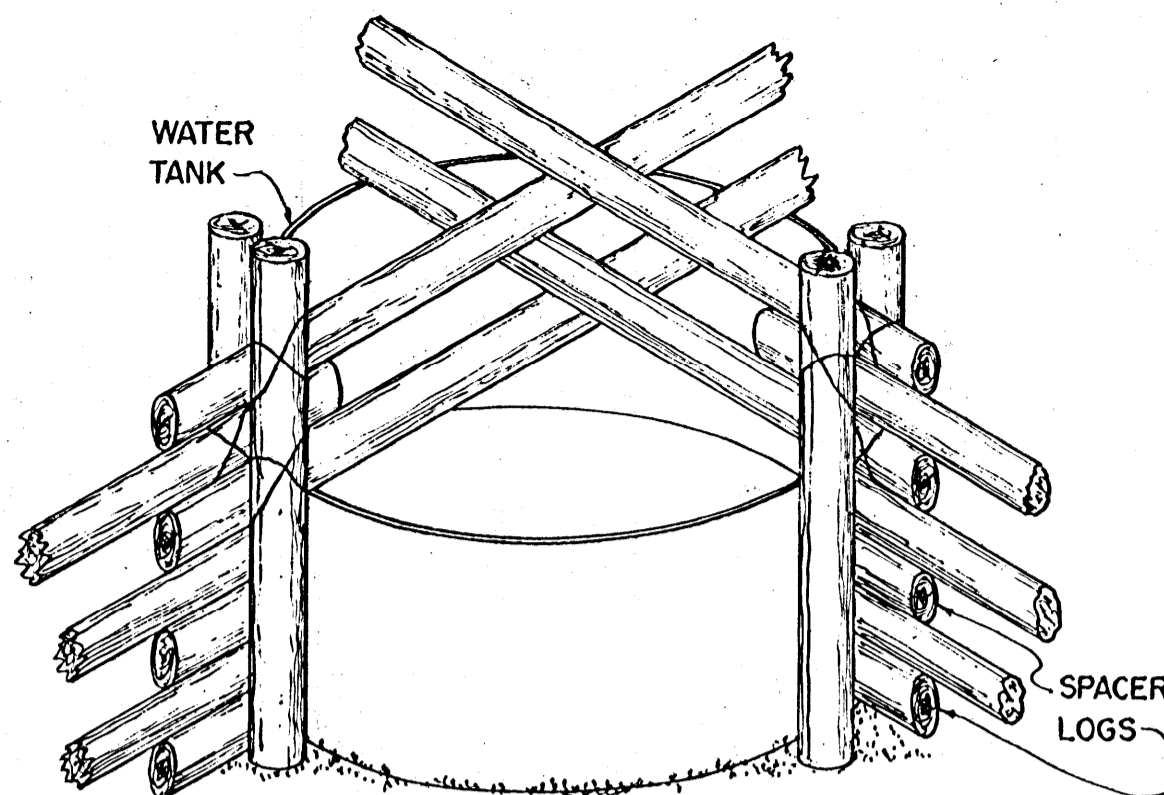
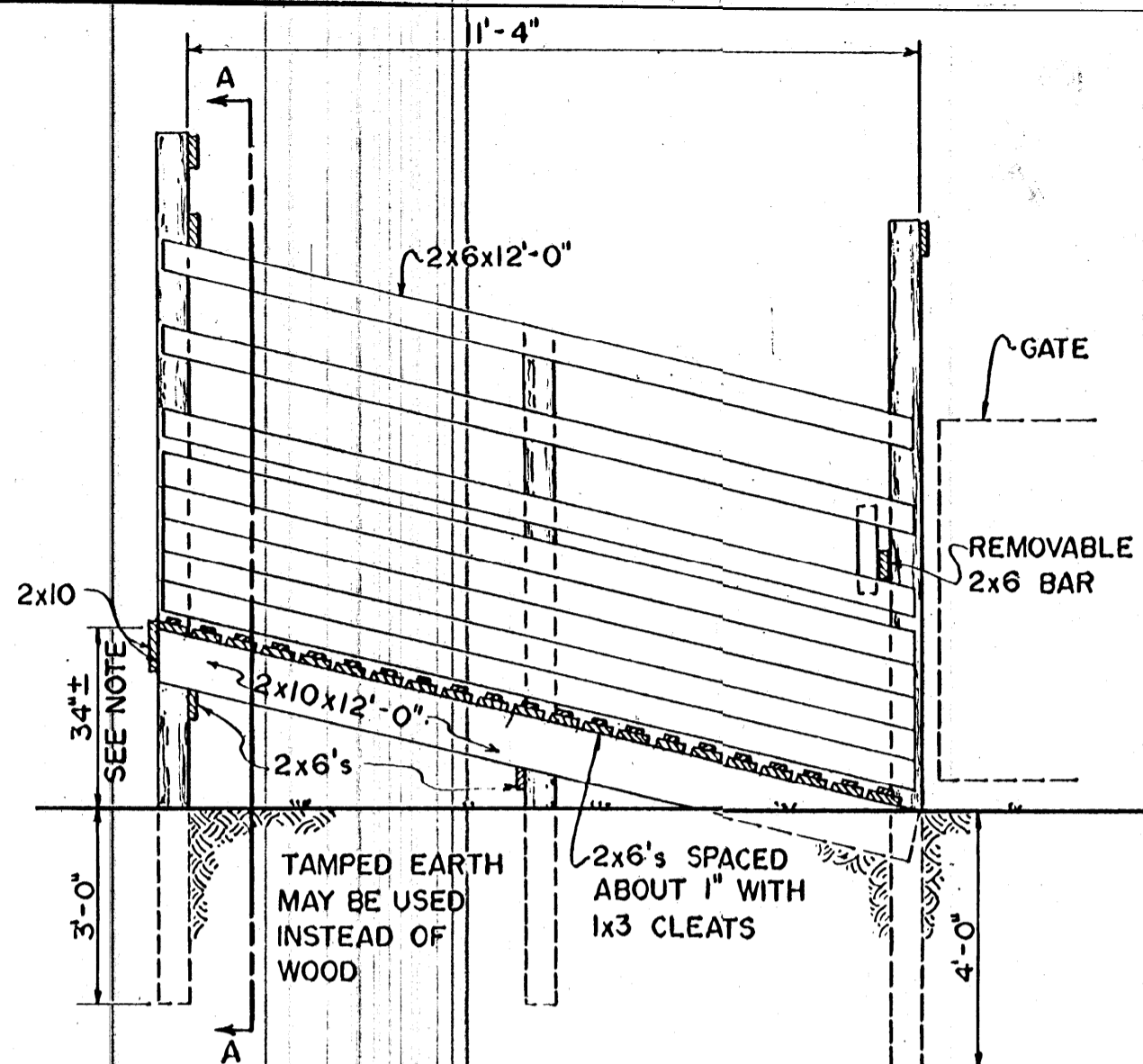


**TYPICAL CORNER ARRANGEMENT**  
NO SCALE

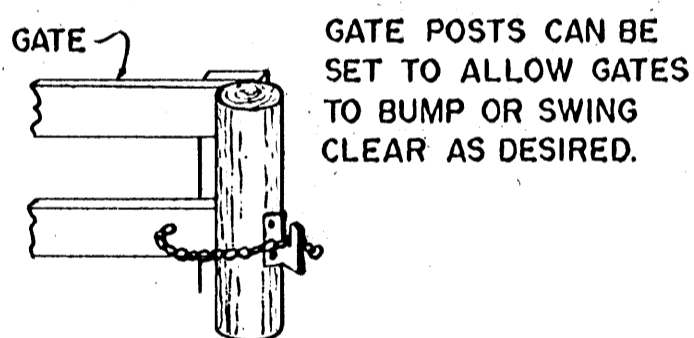


**QUARTER VIEW OF FENCE  
DETAIL AT WATER TANK**

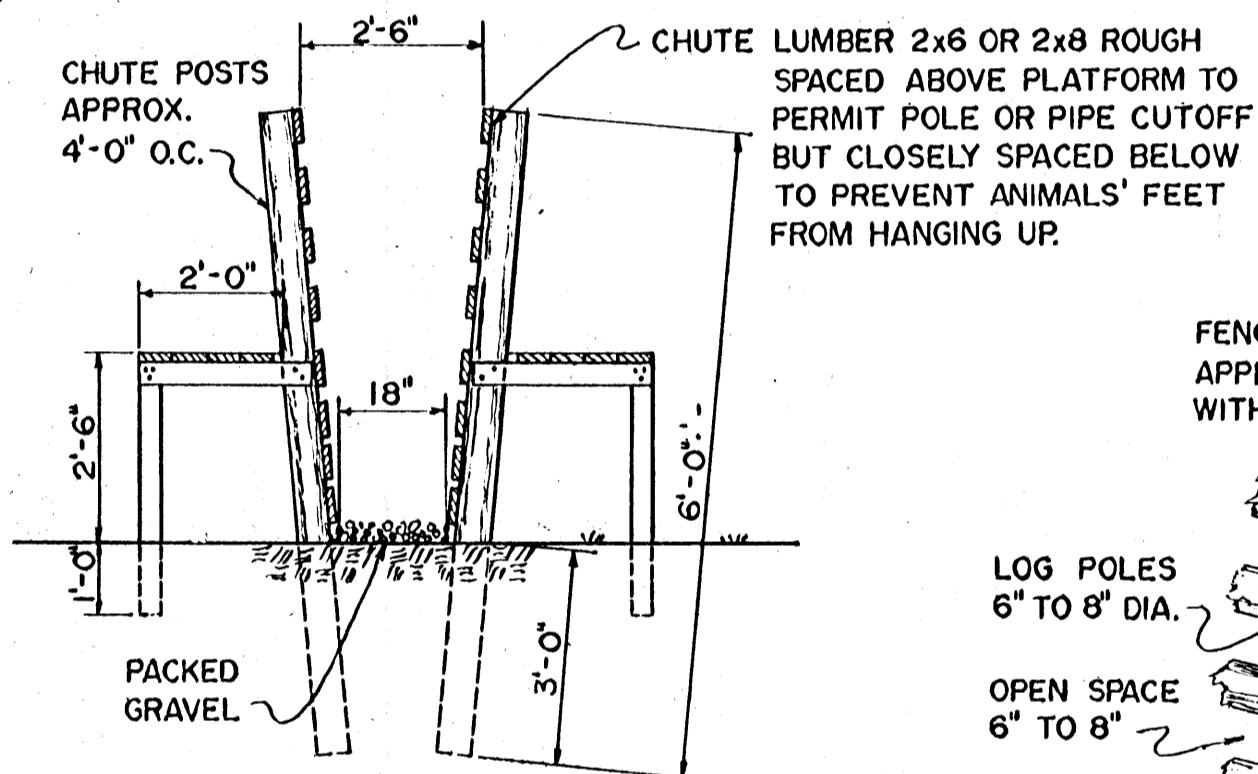
NO SCALE



**LOADING RAMP  
LONGITUDINAL SECTION**  
SCALE:  $\frac{3}{8}$ " = 1'-0"

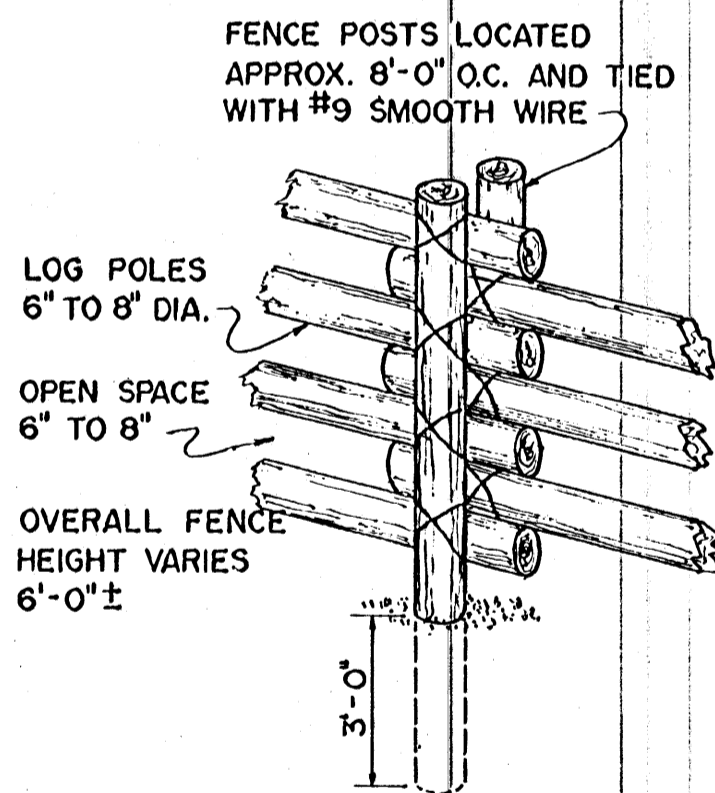


**GATE LATCH DETAIL**  
NO SCALE

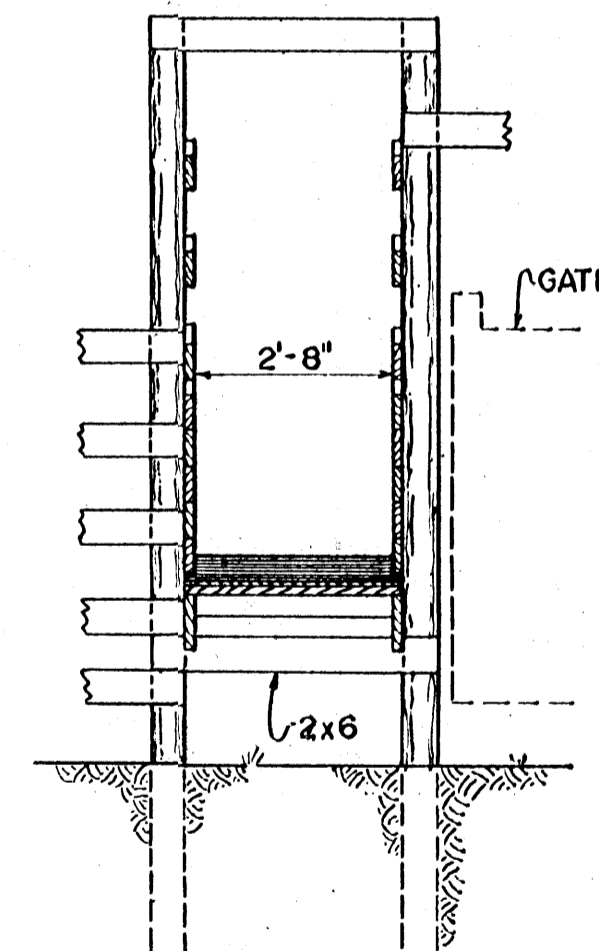


**SECTION THROUGH WORKING CHUTE**  
SCALE:  $\frac{3}{8}$ " = 1'-0"

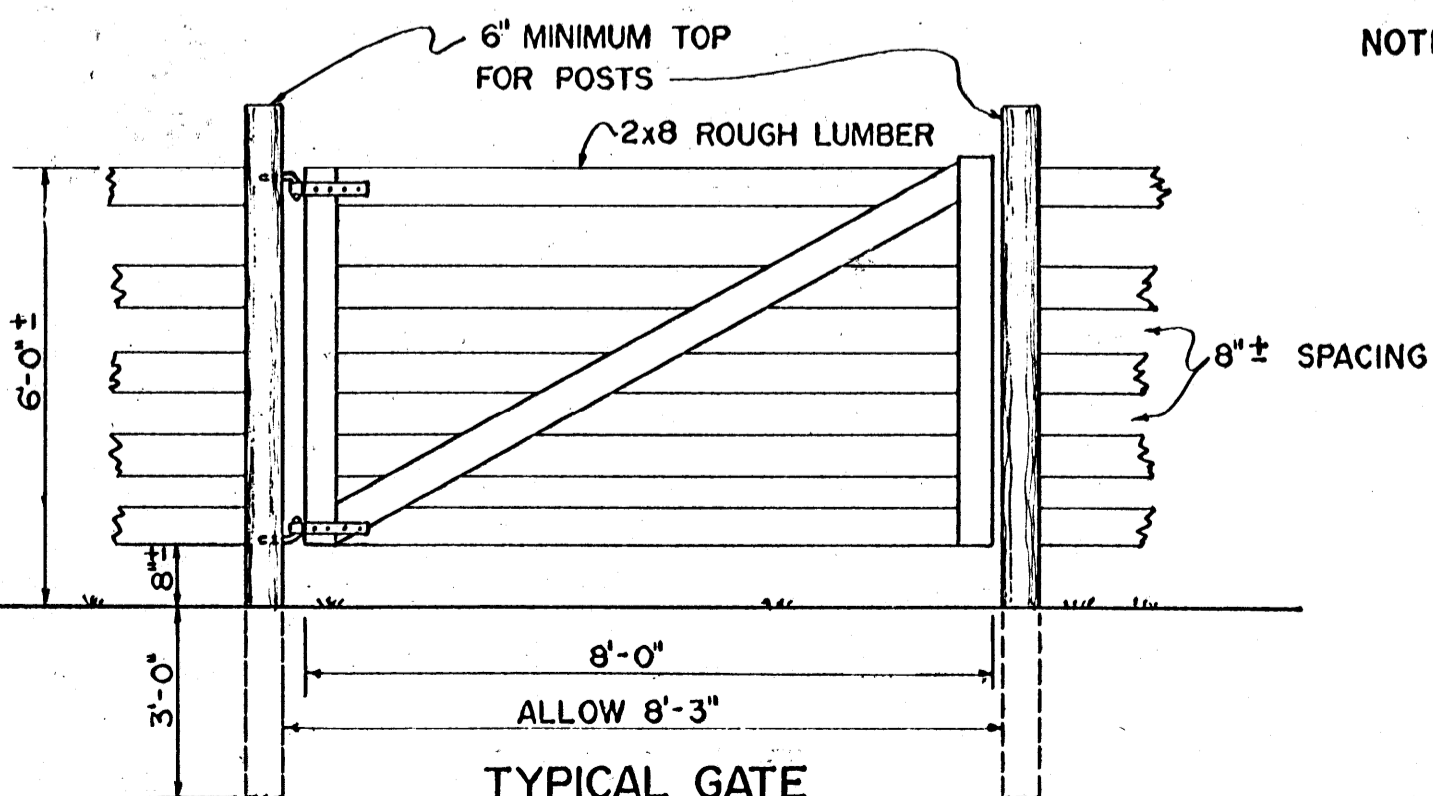
**NOTE: ALL POSTS 6" TO 8" TOP DIAMETER. FOR LONGEST SERVICE ALL WOOD POSTS AND WOOD IN CONTACT WITH GROUND SHOULD BE PRESSURE-TREATED WITH A PRESERVATIVE.**



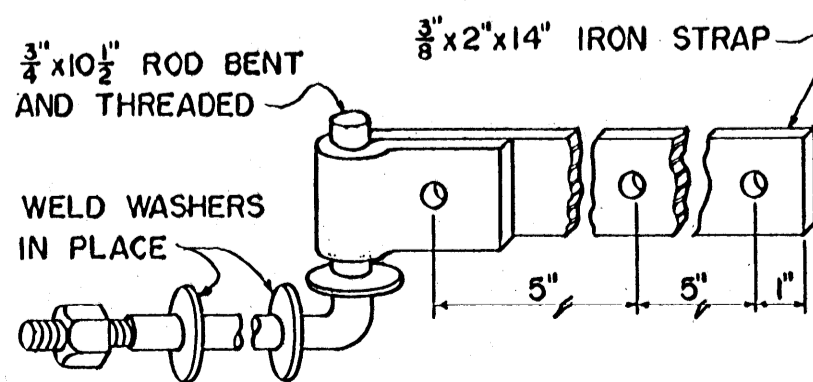
**PERSPECTIVE OF TYPICAL FENCE POST**  
NO SCALE



**LOADING RAMP  
CROSS SECTION AT A-A**  
SCALE:  $\frac{3}{8}$ " = 1'-0"



**TYPICAL GATE**  
NO SCALE

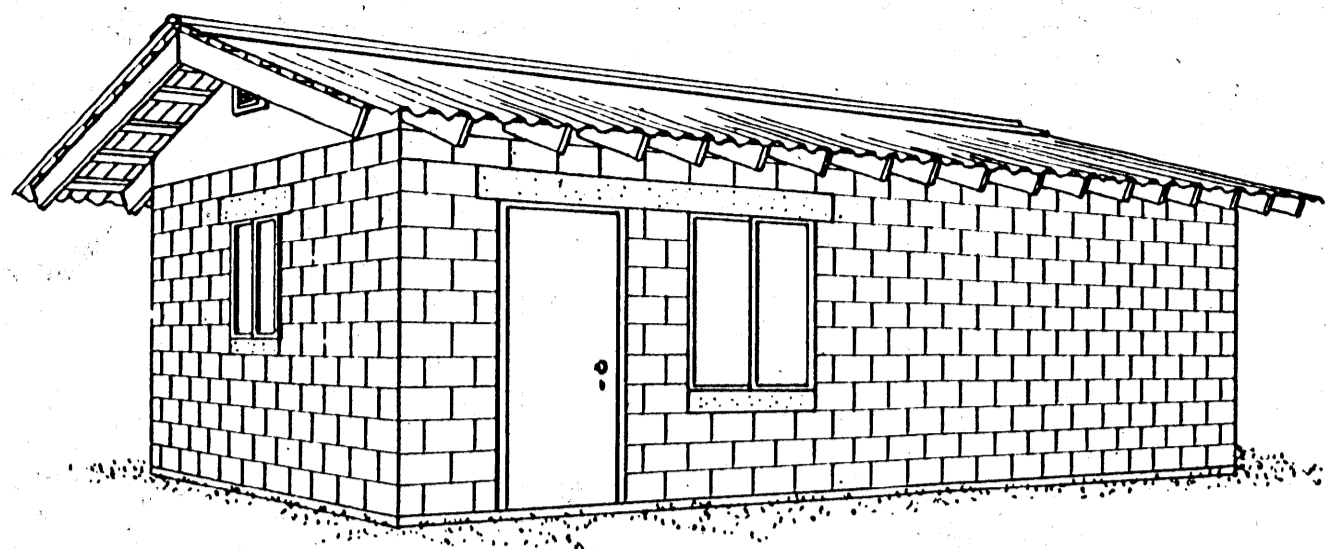


**GATE HINGE DETAIL**  
SCALE: 3" = 1'-0"

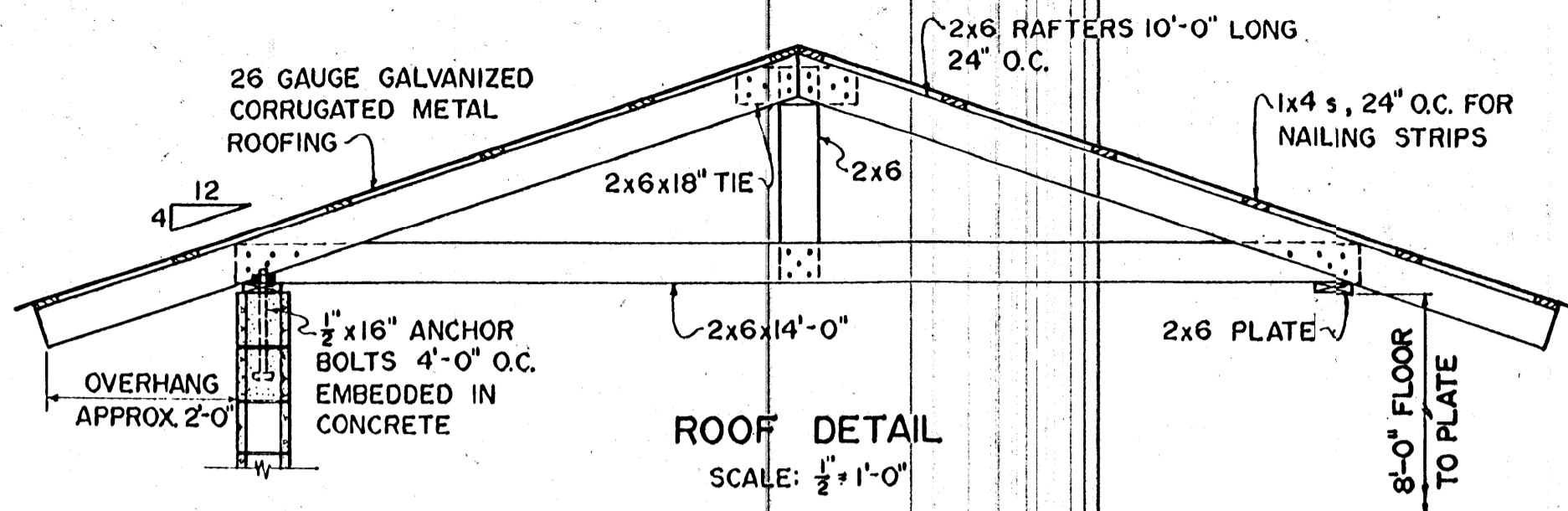
COOPERATIVE EXTENSION WORK IN  
AGRICULTURE AND HOME ECONOMICS  
STATE OF MISSISSIPPI  
MISSISSIPPI STATE UNIVERSITY  
UNITED STATES DEPARTMENT OF AGRICULTURE COOPERATING

**CORRAL LAYOUT  
AND EQUIPMENT**

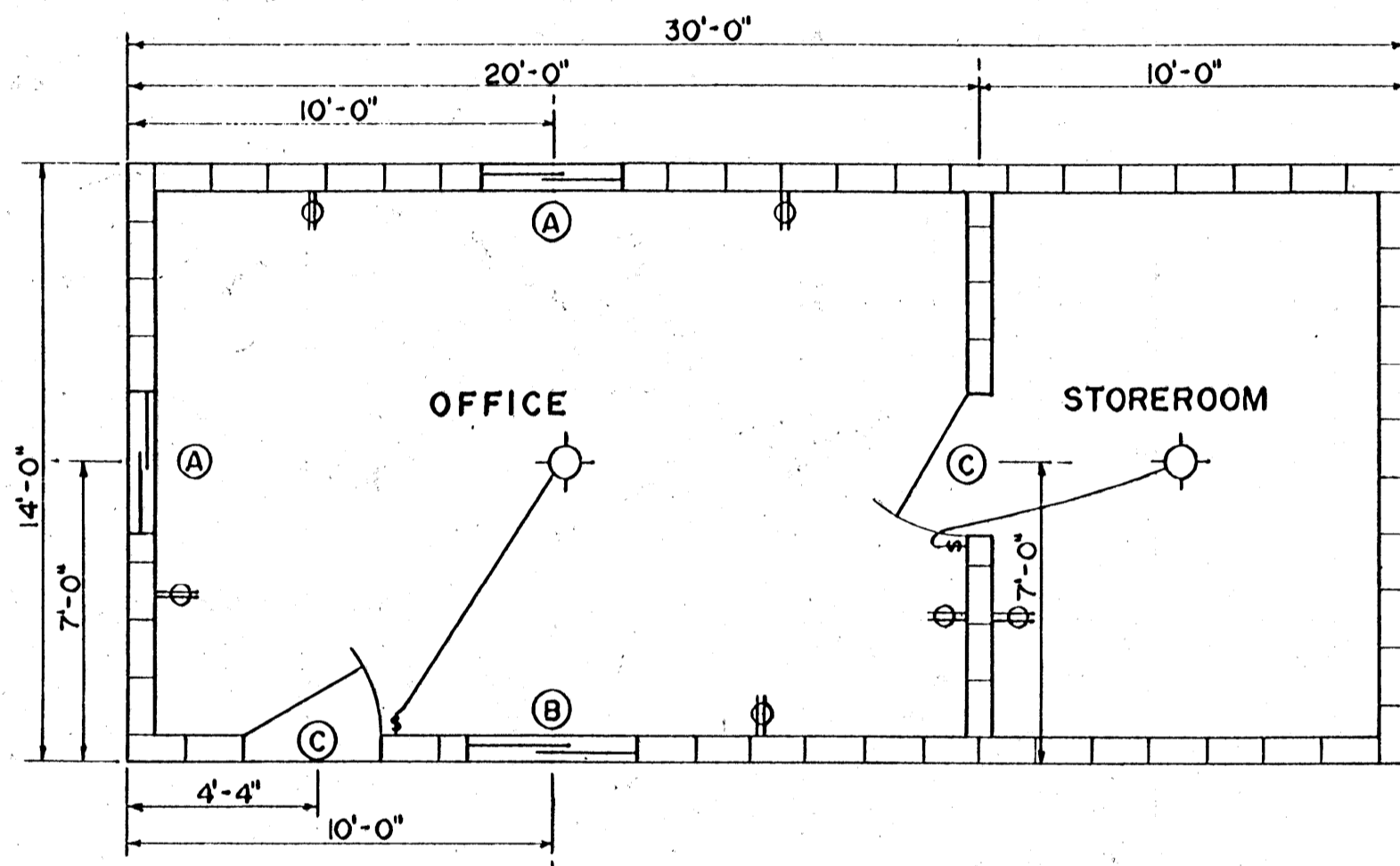
N. MEX. '70      6106      SHEET 2 OF 3



PERSPECTIVE



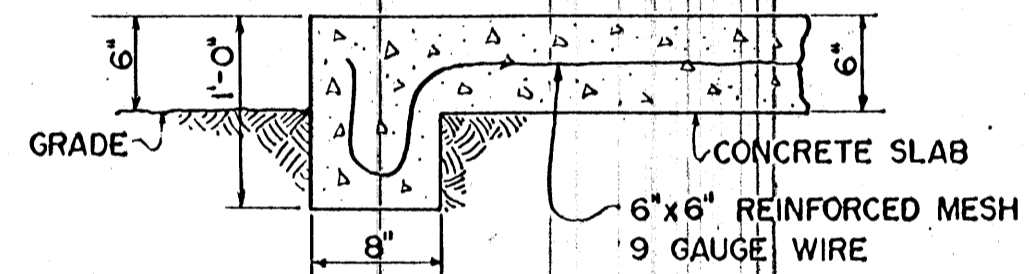
ROOF DETAIL  
SCALE: 1/2" = 1'-0"



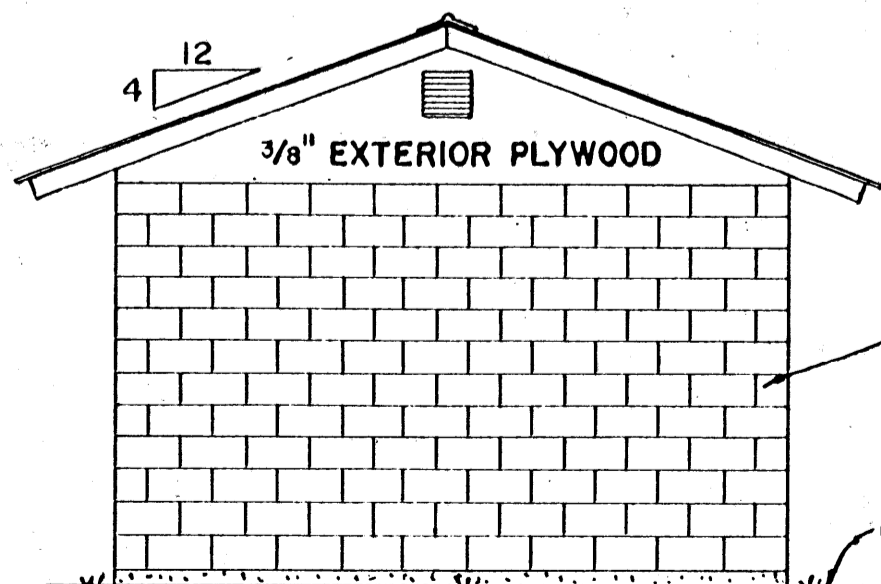
FLOOR PLAN  
SCALE: 1/4" = 1'-0"

SYMBOLS:

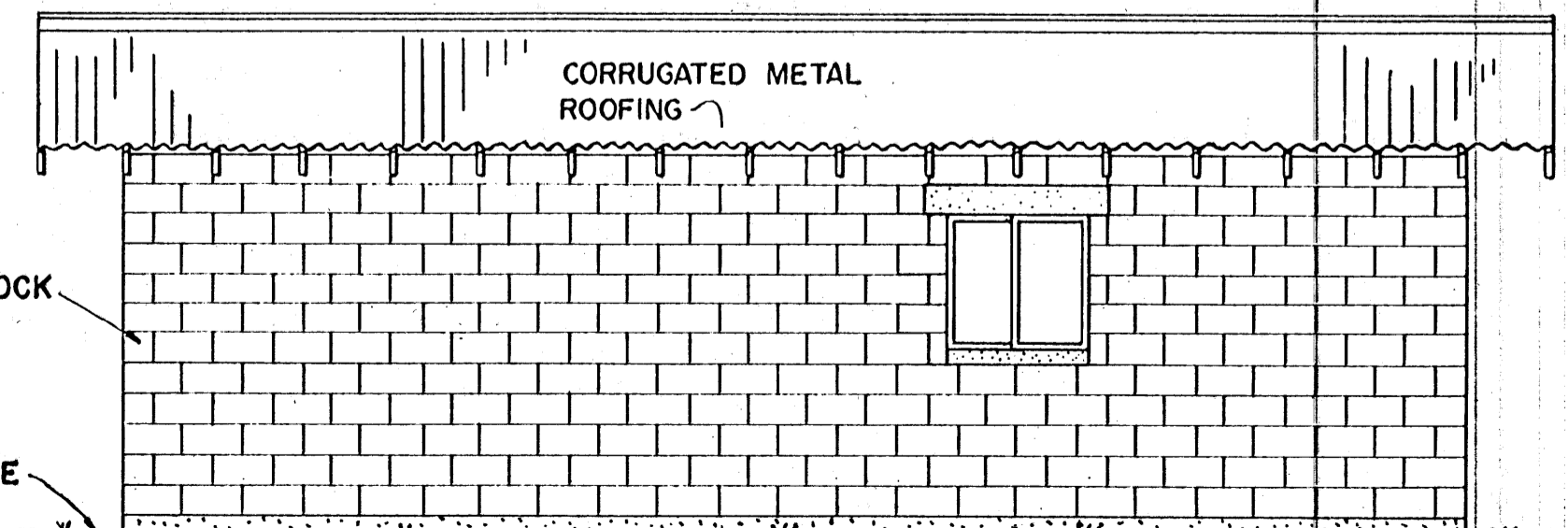
- LIGHT
- ⊕ ELECTRIC OUTLET
- (A) 3'-4" (WIDE) x 3'-0" SLIDING PANEL METAL WINDOW
- (B) 4'-0" (WIDE) x 4'-2" SLIDING PANEL METAL WINDOW
- (C) 3'-0" x 6'-8" WOOD DOOR



FOUNDATION DETAIL  
SCALE: 1" = 1'-0"



RIGHT ELEVATION  
SCALE: 1/4" = 1'-0"



REAR ELEVATION  
SCALE: 1/4" = 1'-0"

COOPERATIVE EXTENSION WORK IN  
AGRICULTURE AND HOME ECONOMICS  
STATE OF MISSISSIPPI  
MISSISSIPPI STATE UNIVERSITY  
AND  
UNITED STATES DEPARTMENT OF AGRICULTURE COOPERATING

CORRAL LAYOUT  
AND EQUIPMENT

N. MEX. '70 6106 SHEET 3 OF 3