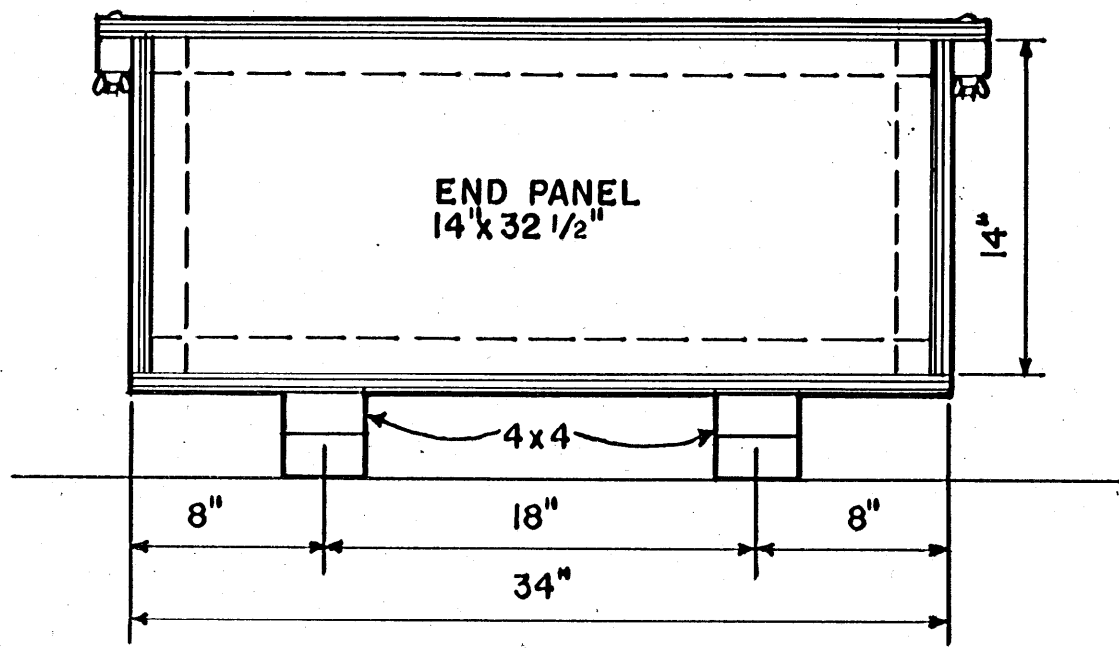
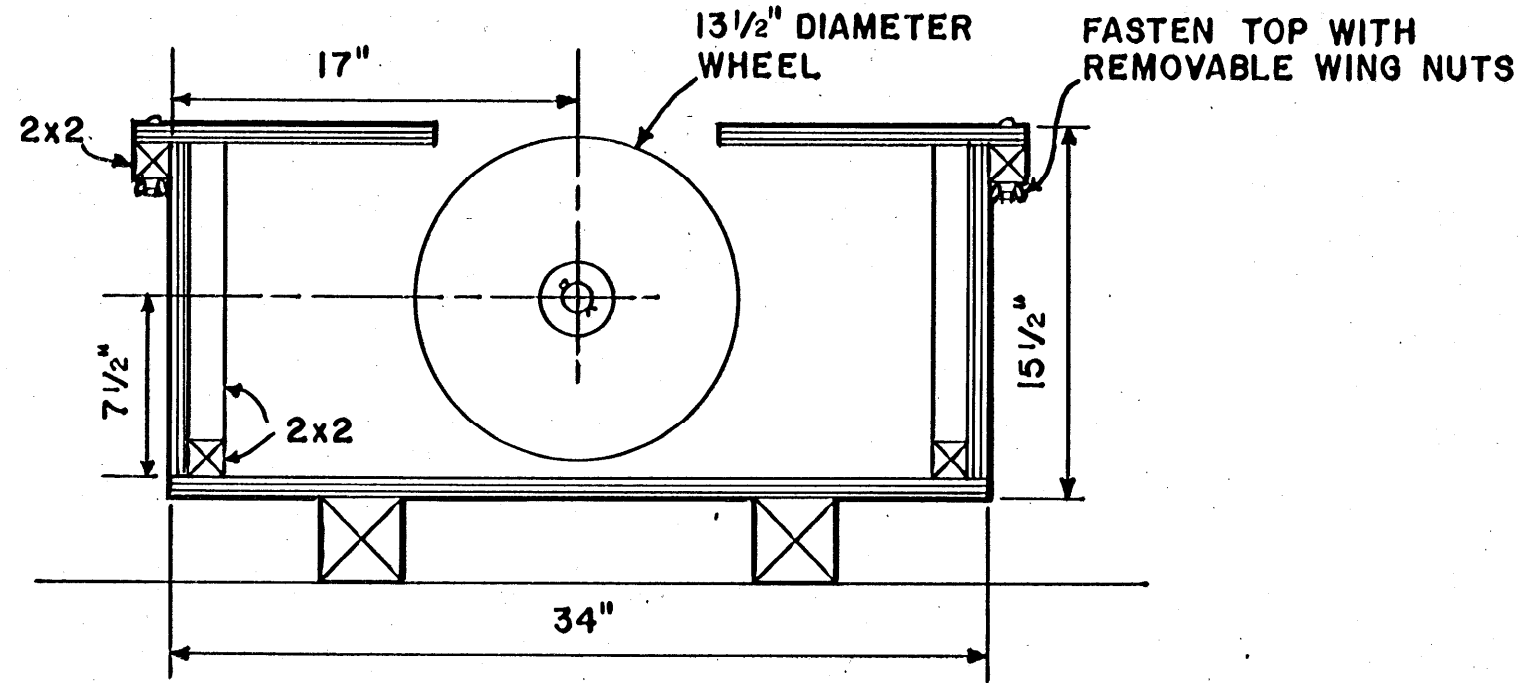


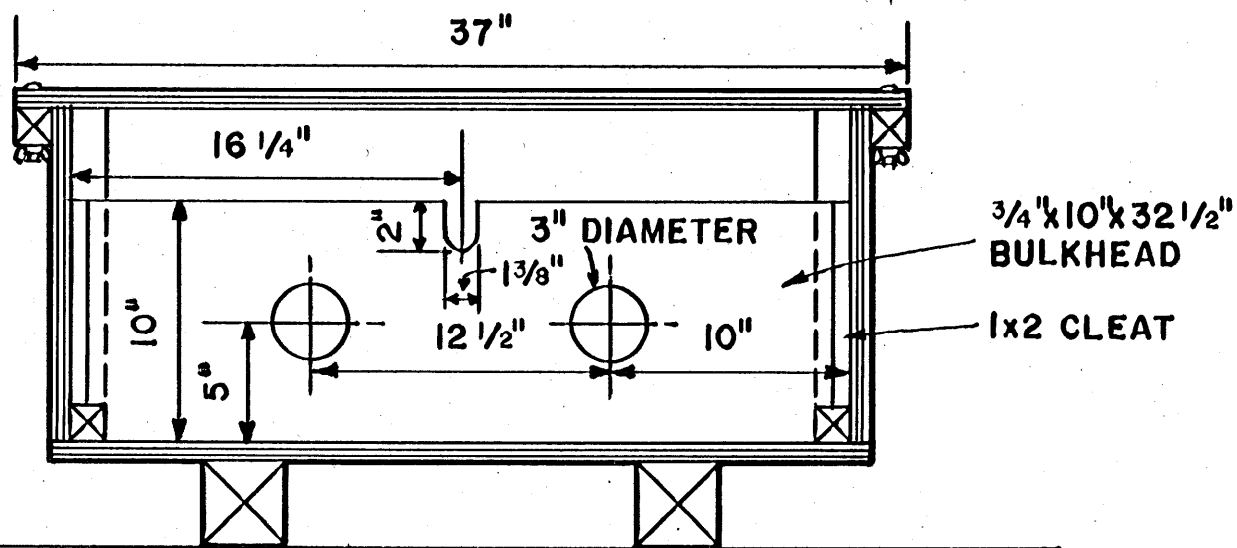
NOTE: ENDS, SIDES, TOP AND BOTTOM - 3/4" EXTERIOR DFPA PLYWOOD



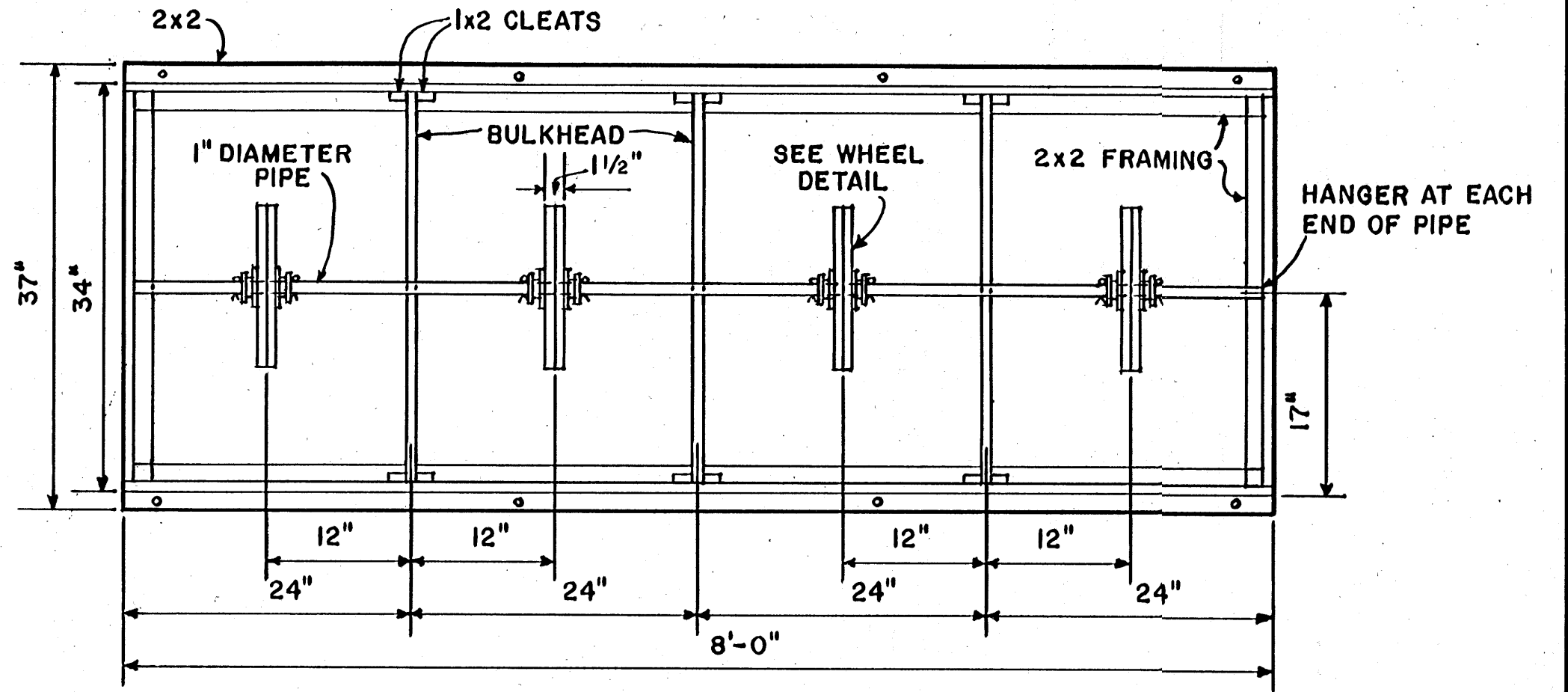
END VIEW
SCALE: 1/2"=1'-0"



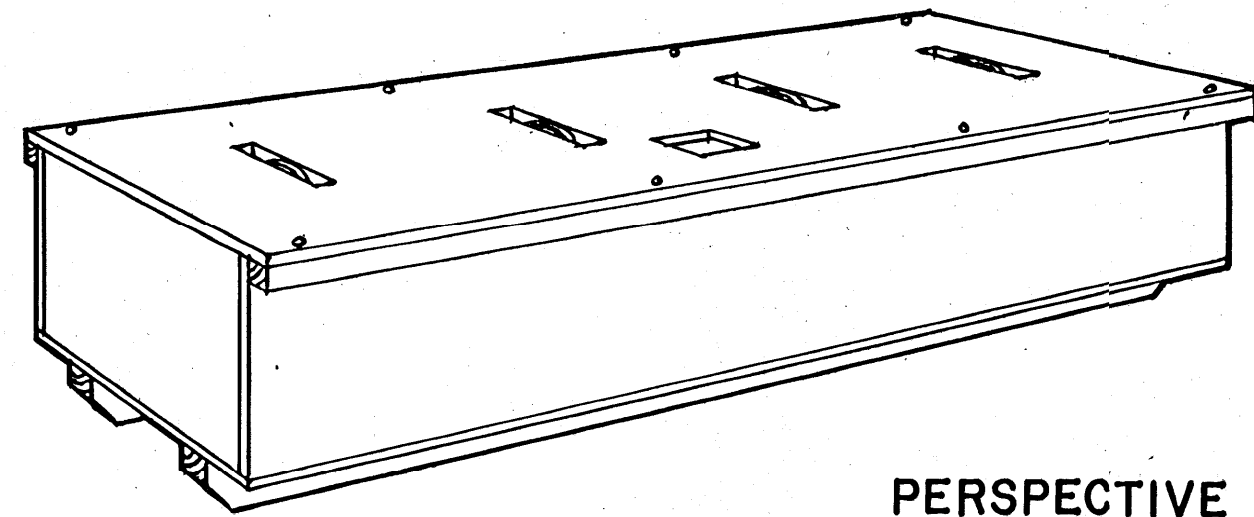
SECTION AT WHEEL
SCALE: 1/2"=1'-0"



SECTION AT BULKHEAD
SCALE: 1/2"=1'-0"



PLAN VIEW WITH TOP REMOVED
SCALE: 1"=1'-0"



PERSPECTIVE

THE PLYWOOD USE RECOMMENDATIONS CONTAINED IN THIS PUBLICATION ARE BASED UPON THE ASSOCIATION'S CONTINUING PROGRAM OF LABORATORY TESTING, PRODUCT RESEARCH AND COMPREHENSIVE FIELD EXPERIENCE.

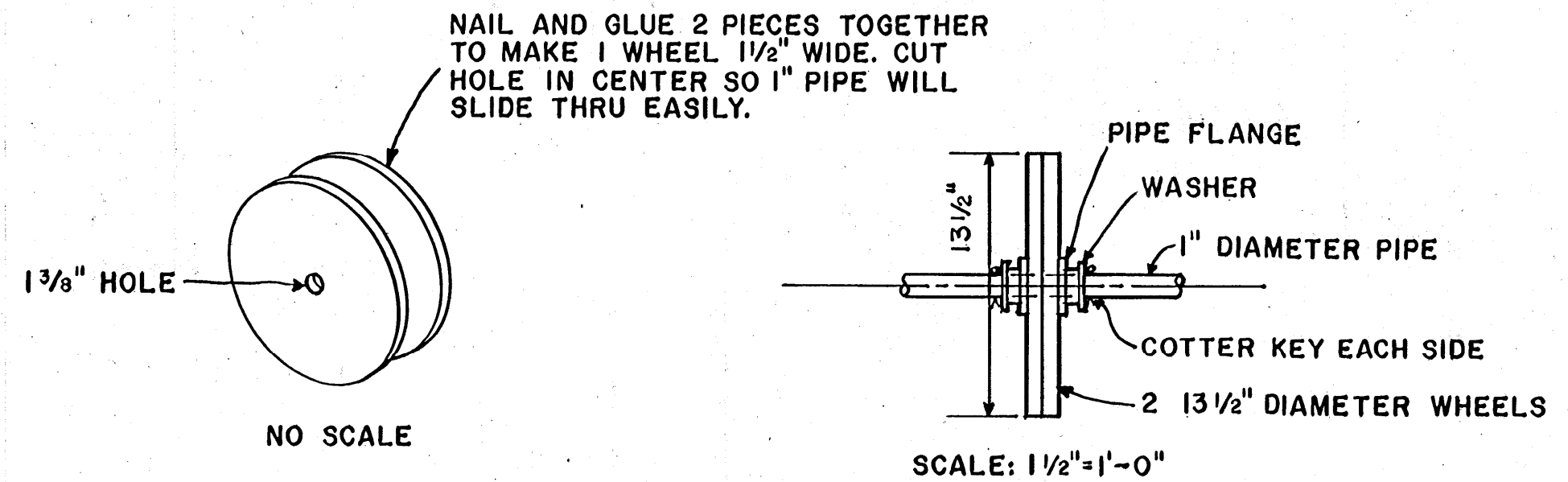
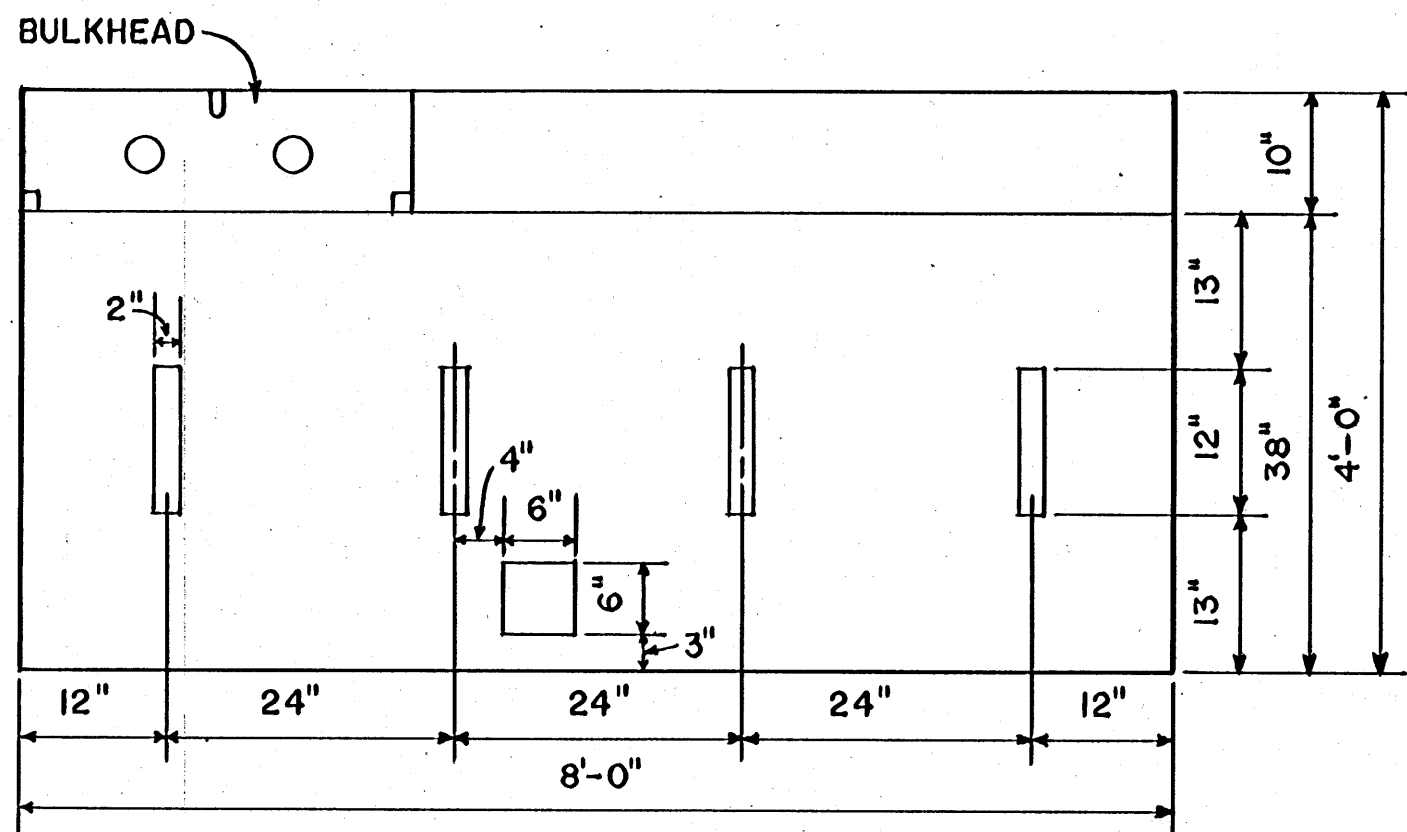
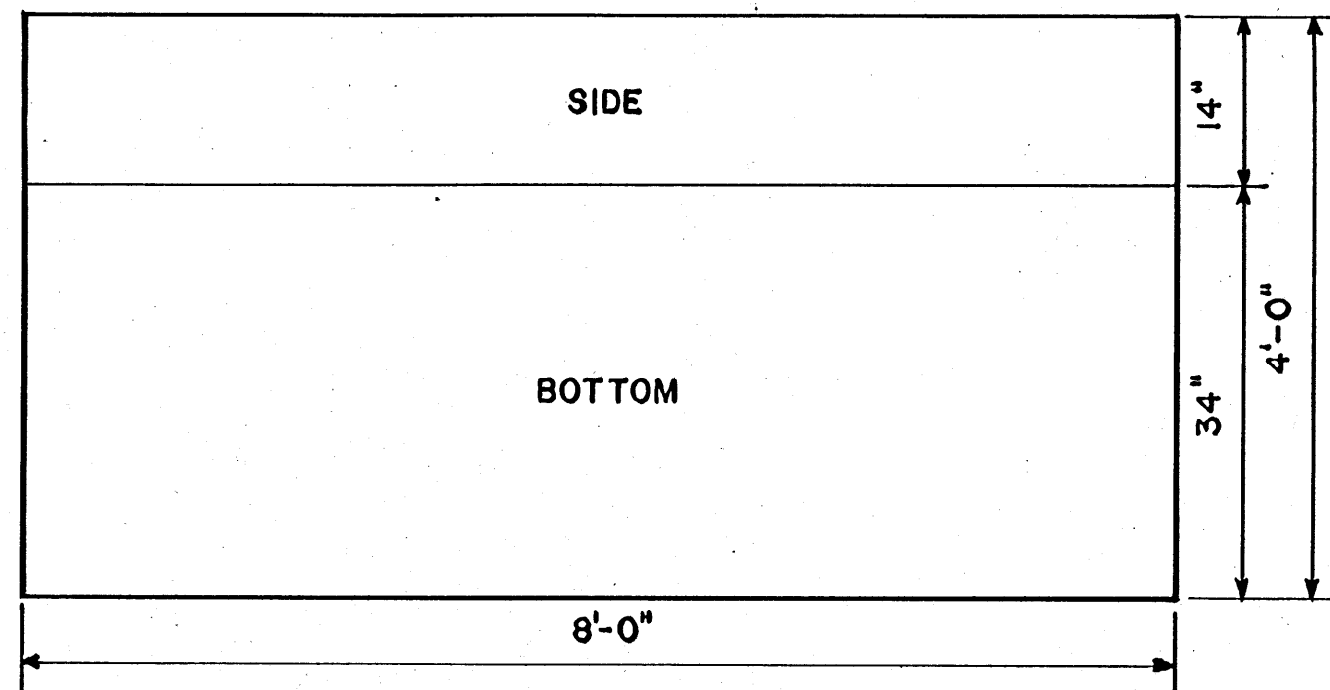
BEST PERFORMANCE DEPENDS UPON THE USE OF QUALITY PLYWOOD, IDENTIFIED BY AMERICAN PLYWOOD ASSOCIATION GRADE-TRADEMARKS, PROPERLY APPLIED IN ACCORDANCE WITH THESE RECOMMENDATIONS.

This design is based on the use of American Plywood Association Grade-Trademarked plywood. Structural deficiencies may result with the substitution of materials. Because erection of the structure cannot be supervised no liability can be assumed by the designer or the American Plywood Association. Mention of a trade name does not constitute a guarantee or warranty of the product by the U.S. Department of Agriculture or an endorsement by the Department over other products not mentioned.

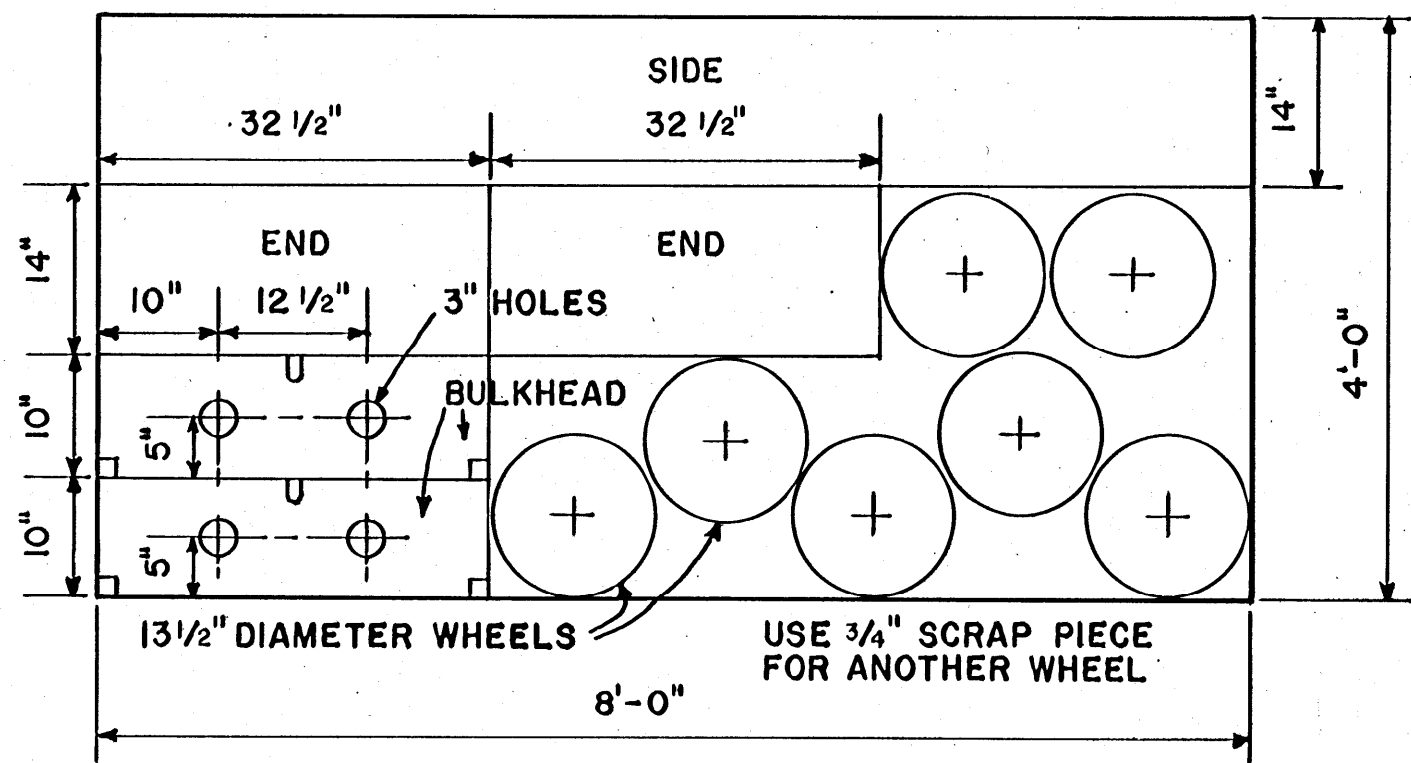
COOPERATIVE EXTENSION WORK IN AGRICULTURE AND HOME ECONOMICS		
STATE OF MISSISSIPPI		
MISSISSIPPI STATE UNIVERSITY		
AND UNITED STATES DEPARTMENT OF AGRICULTURE COOPERATING		
CATTLE FEEDER LIQUID SUPPLEMENT		
A.R.A.	'71	6124 SHEET 1 OF 2

MATERIALS LIST

LUMBER		PIECES	SIZE	LENGTH	FBM
SKIDS-PRESERVATIVE TREATED FRAMING	ITEM & USE	2	4x4	8'-0"	21 1/3
		4	2x2	1'-0 1/2"	1 1/3
		4	2x2	2'-5 1/2"	3 2/3
		2	2x2	7'-10 1/2"	10 2/3
CLEATS		2	2x2	8'-0"	
		12	1x2	11"	2
PLYWOOD		3 PIECES	3/4"	4'x8'	96 SQ. FT.
HARDWARE AND MISCELLANEOUS		PIECES	DESCRIPTION		
PIPE		1	1" DIAMETER x 7'-10 3/8"		
BOLTS		8	3/8" x 3" CARRIAGE		
NAILS		10 LBS.	8 d COMMON, GALVANIZED		
GLUE		1 PINT	RECORDSINOL RESIN		
HANGERS		2	1"		
WASHERS & COTTER KEYS		8			
PIPE FLANGES		8			



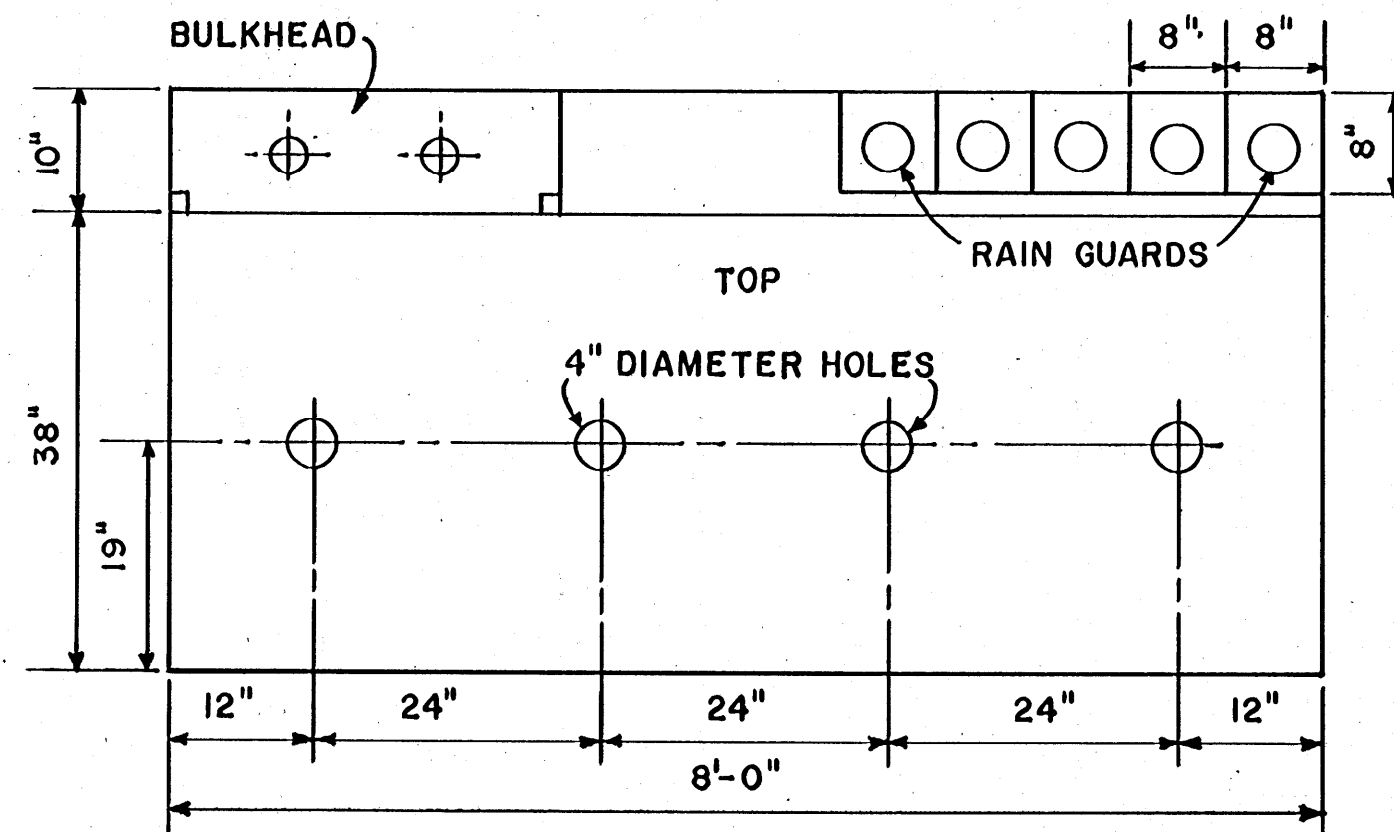
WHEEL DETAILS



CUTTING DIAGRAMS

SCALE: 3/4" = 1'-0"

3/4" EXTERIOR AC OR BC DFPA PLYWOOD



ALTERNATE TOP

COOPERATIVE EXTENSION WORK IN
AGRICULTURE AND HOME ECONOMICS
STATE OF MISSISSIPPI
MISSISSIPPI STATE UNIVERSITY
AND
UNITED STATES DEPARTMENT OF AGRICULTURE COOPERATING

CATTLE FEEDER
LIQUID SUPPLEMENT

A.P.A. '71 6124 SHEET 2 OF 2