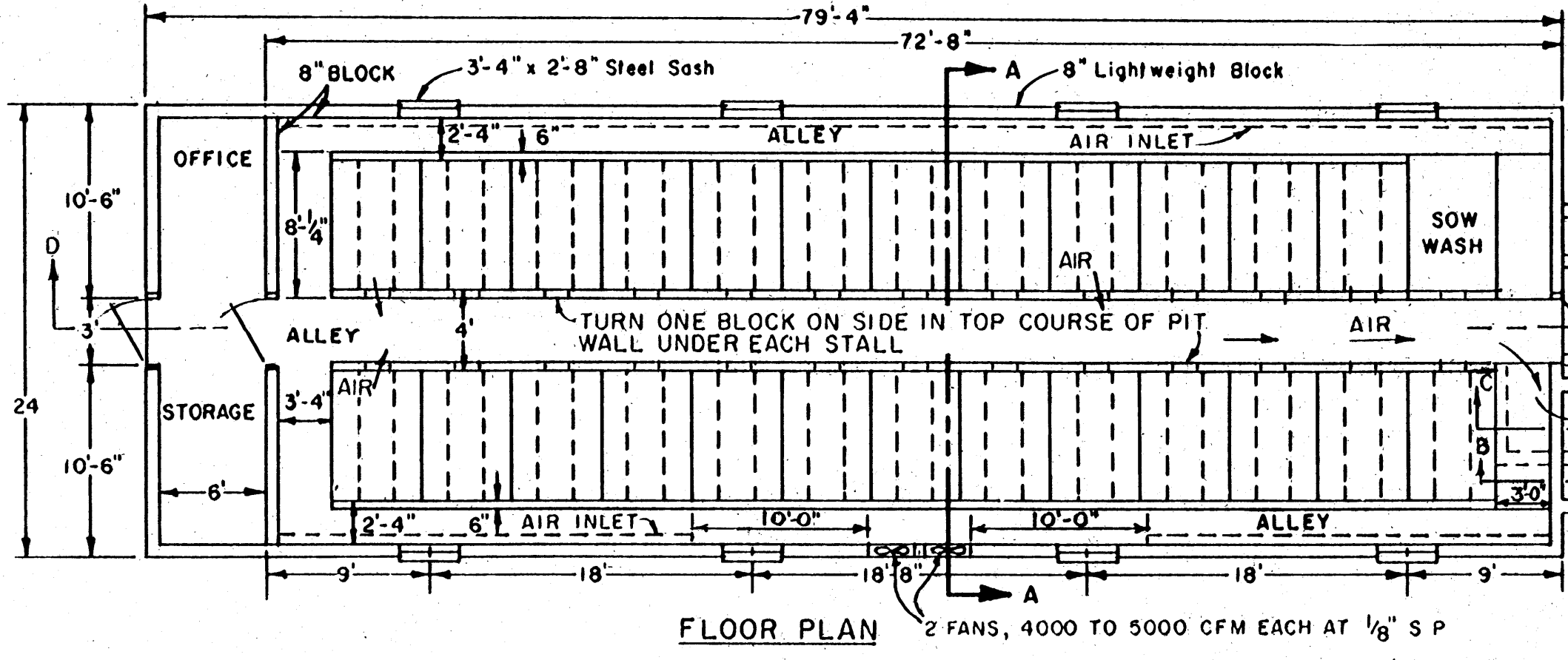
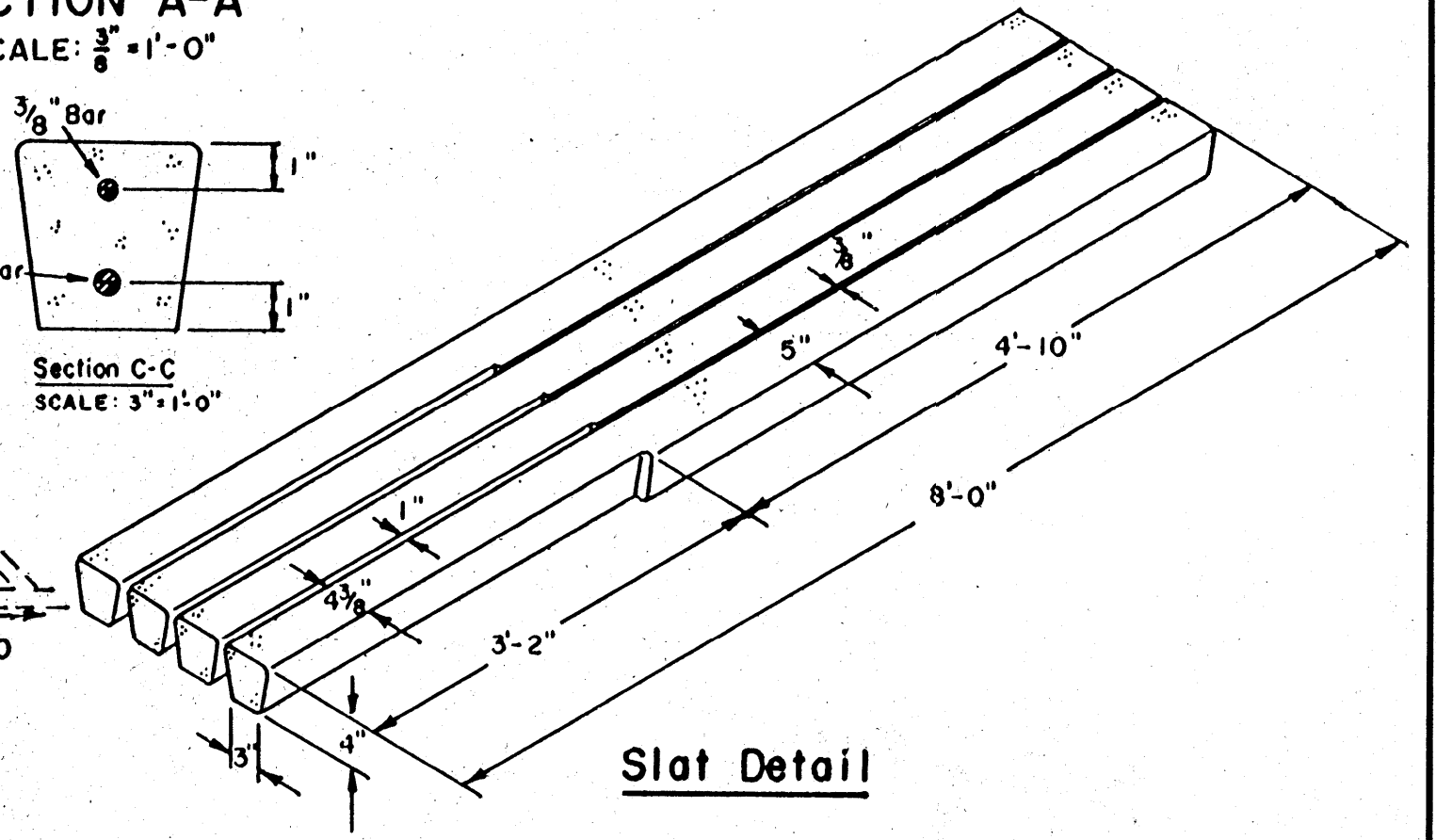
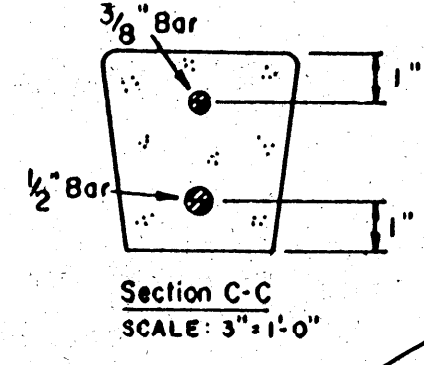


**Section B-B**  
SCALE  $\frac{3}{4}'' = 1'-0''$

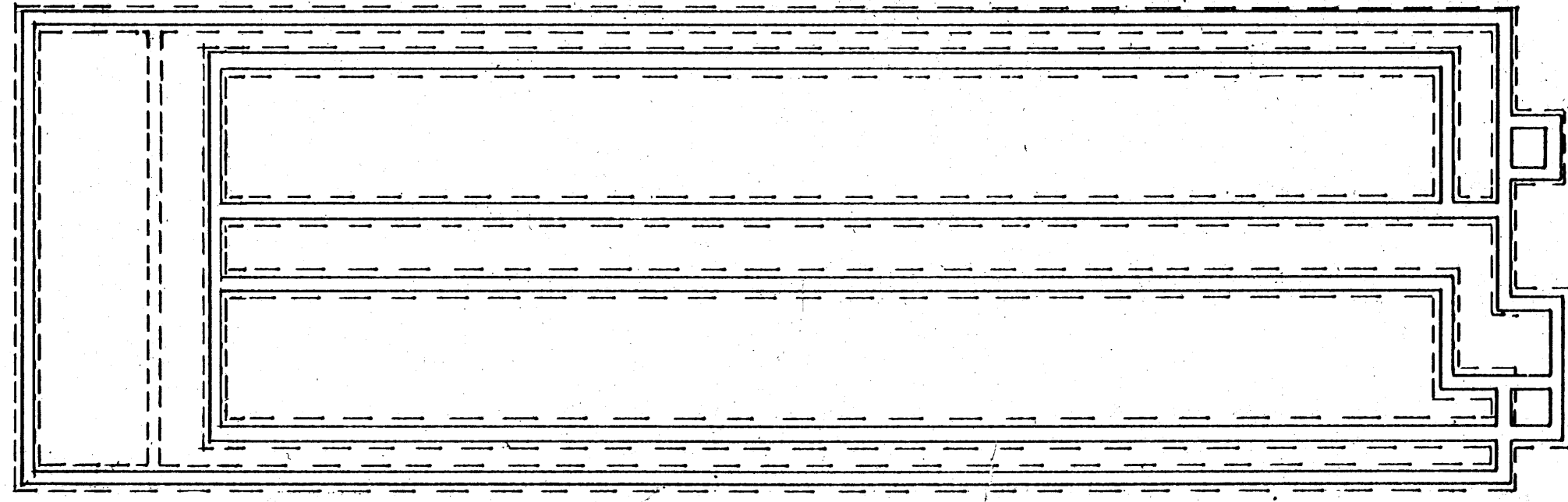
**SECTION A-A**  
SCALE:  $\frac{3}{8}'' = 1'-0''$



**FLOOR PLAN**



**Slat Detail**



**FOUNDATION PLAN**

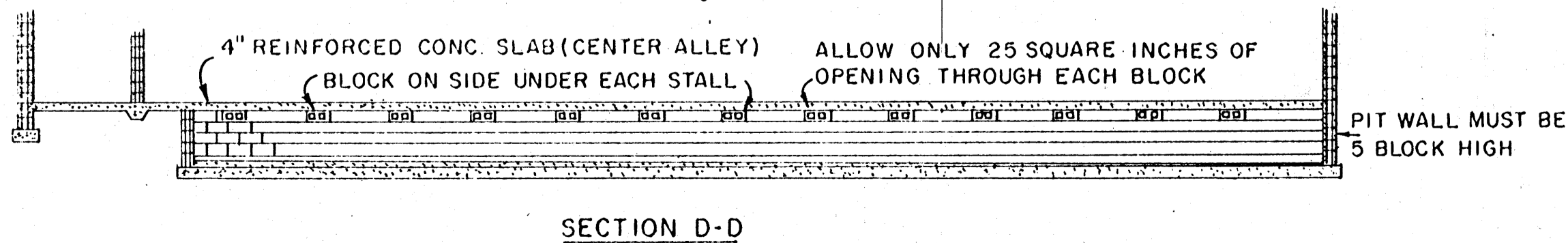
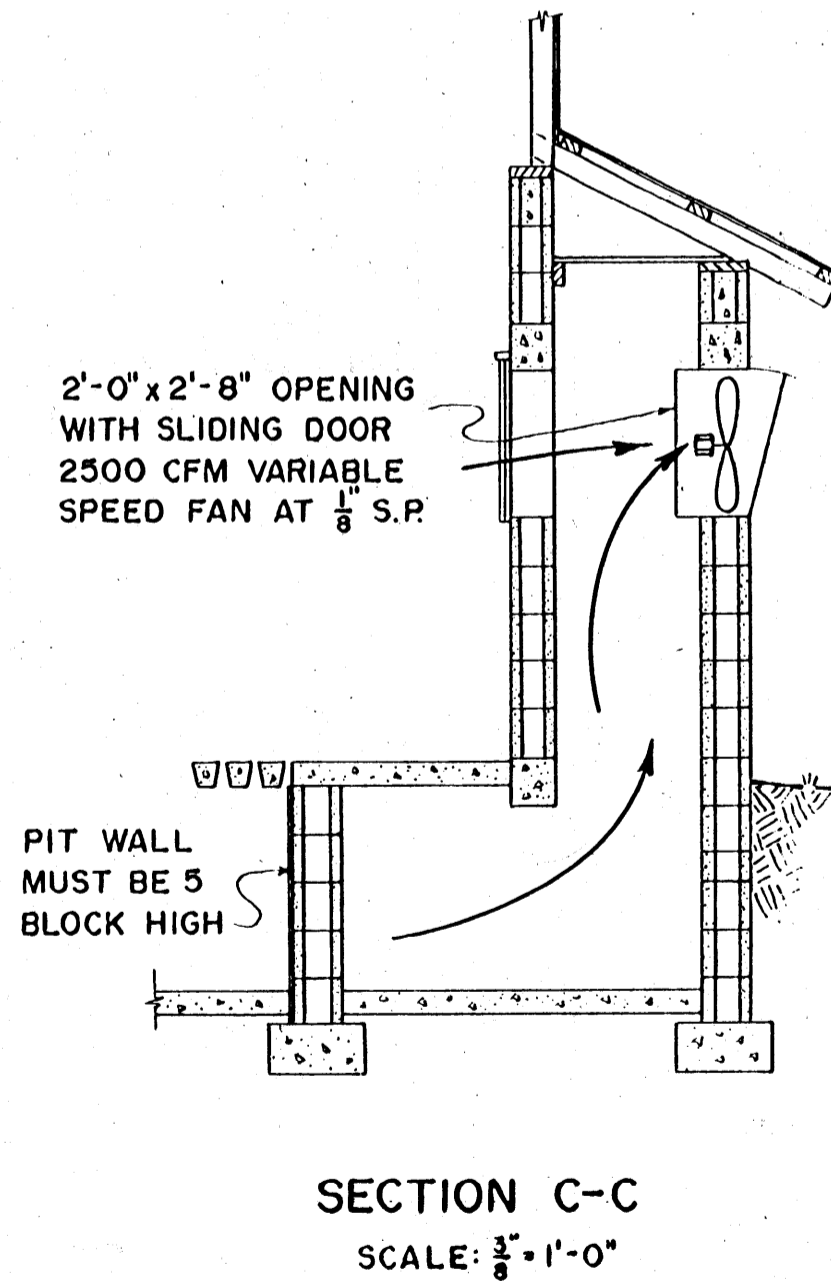
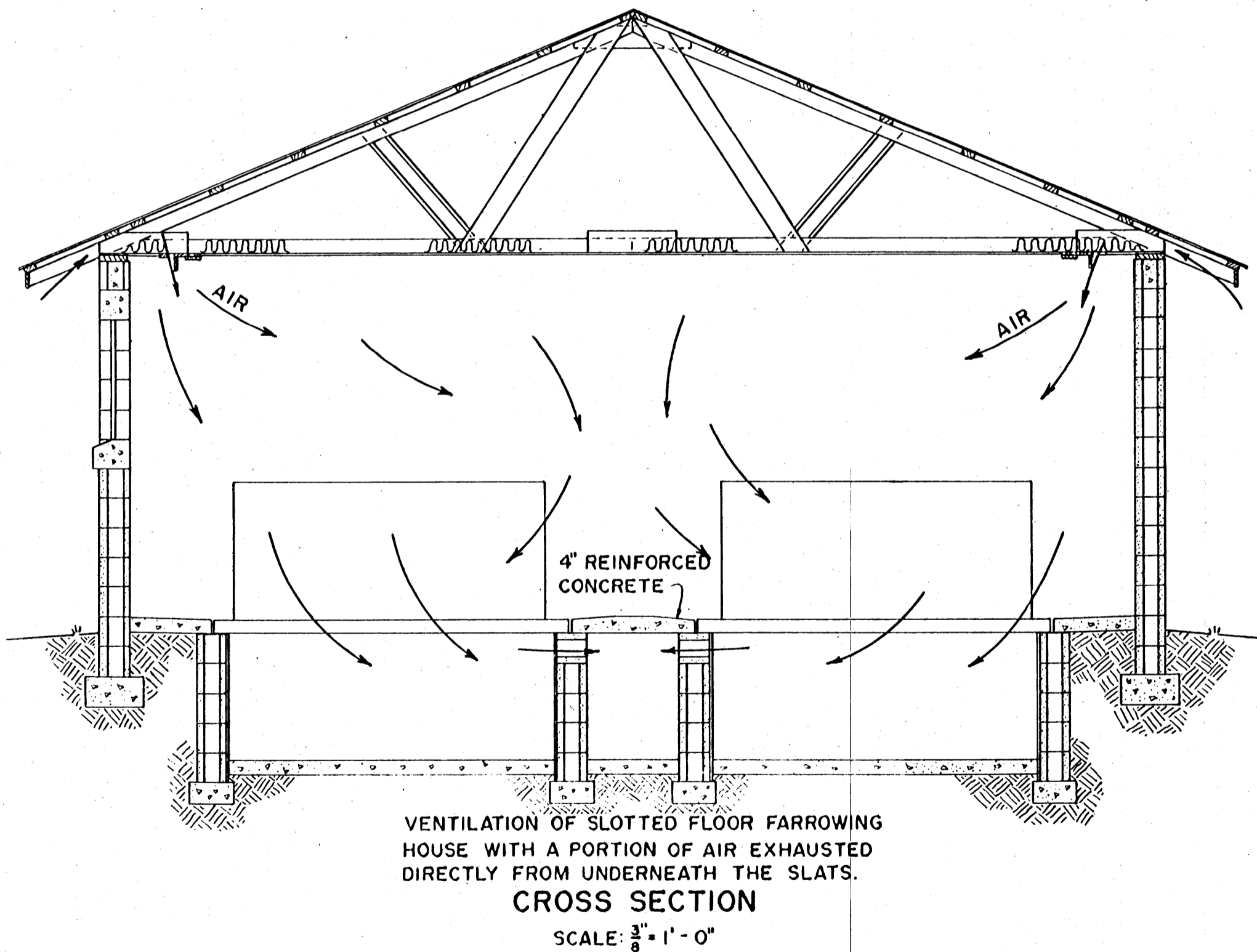
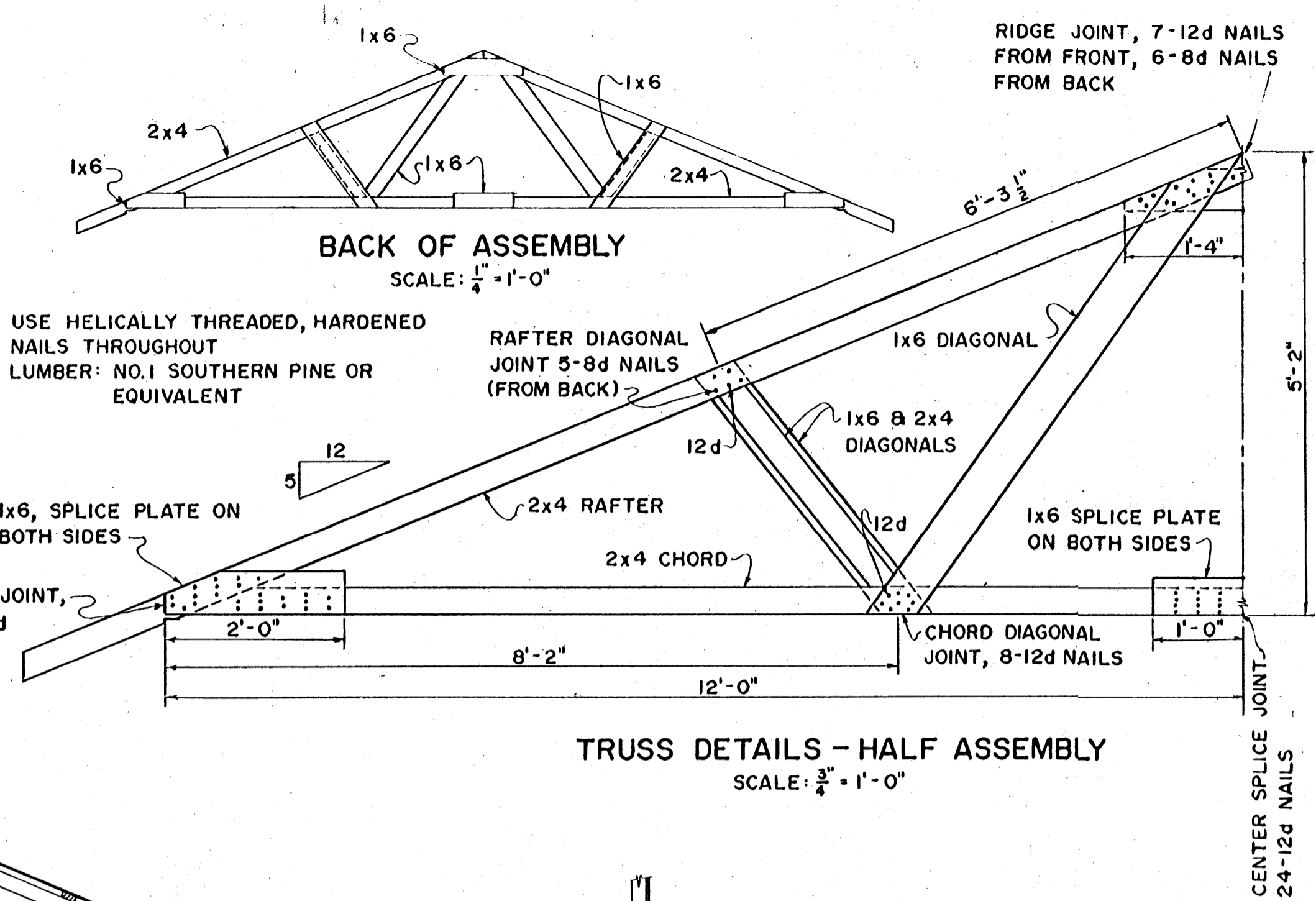
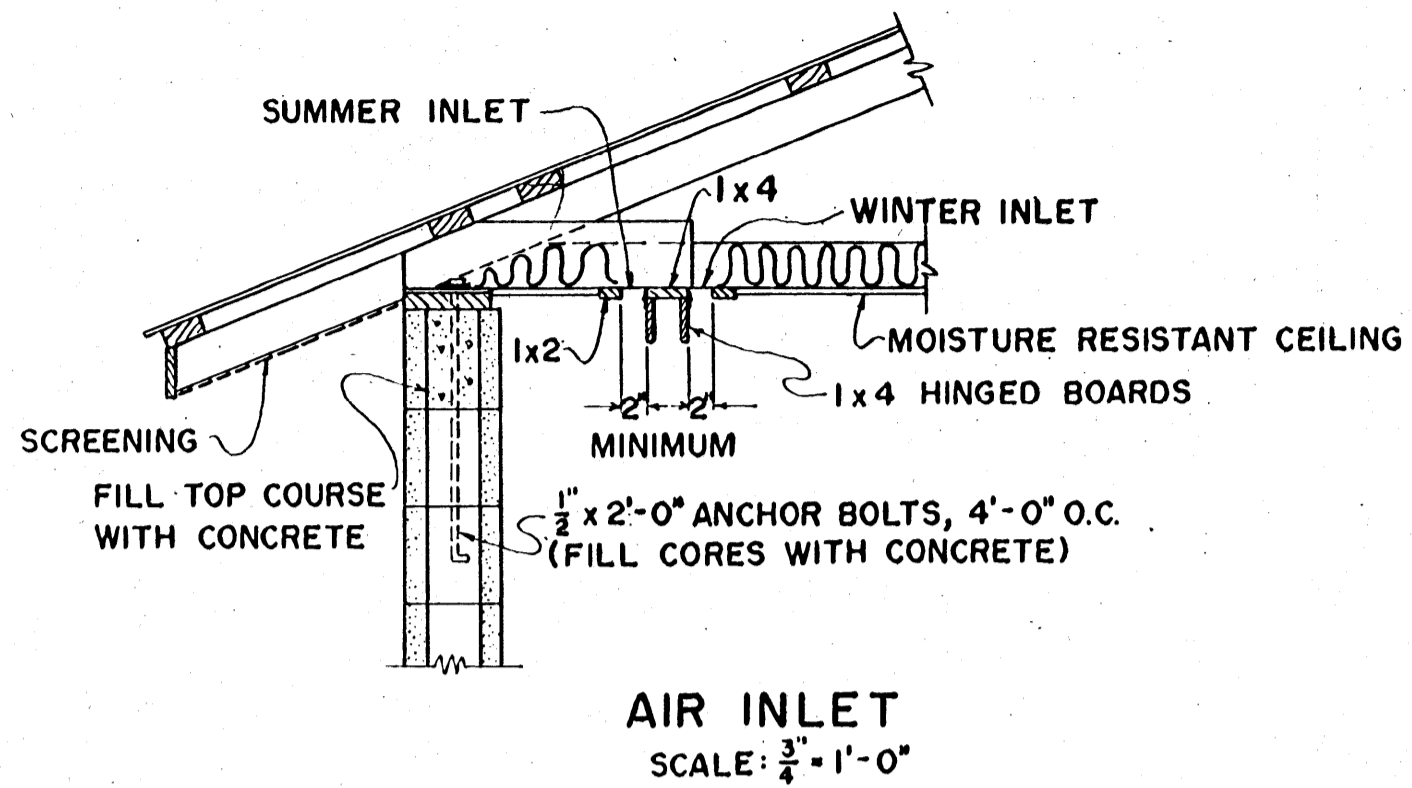
SCALE:  $\frac{1}{8}'' = 1'-0''$  UNLESS OTHERWISE NOTED

COOPERATIVE EXTENSION WORK IN  
AGRICULTURE AND HOME ECONOMICS  
STATE OF MISSISSIPPI  
MISSISSIPPI STATE UNIVERSITY  
AND  
UNITED STATES DEPARTMENT OF AGRICULTURE COOPERATING

**FARROWING HOUSE  
FOR SOWS**

BIOLOGICAL AND AGRICULTURAL  
ENGINEERING DEPT.  
N.C. STATE UNIVERSITY AT RALEIGH  
BASED ON PLAN NO. 527

N.C. '71 **6125** SHEET 1 OF 2



COOPERATIVE EXTENSION WORK IN  
AGRICULTURE AND HOME ECONOMICS  
STATE OF MISSISSIPPI  
MISSISSIPPI STATE UNIVERSITY  
AND  
UNITED STATES DEPARTMENT OF AGRICULTURE COOPERATING

**FARROWING HOUSE  
FOR SOWS**

N.C. '71	6125	SHEET 2 OF 2
----------	------	--------------