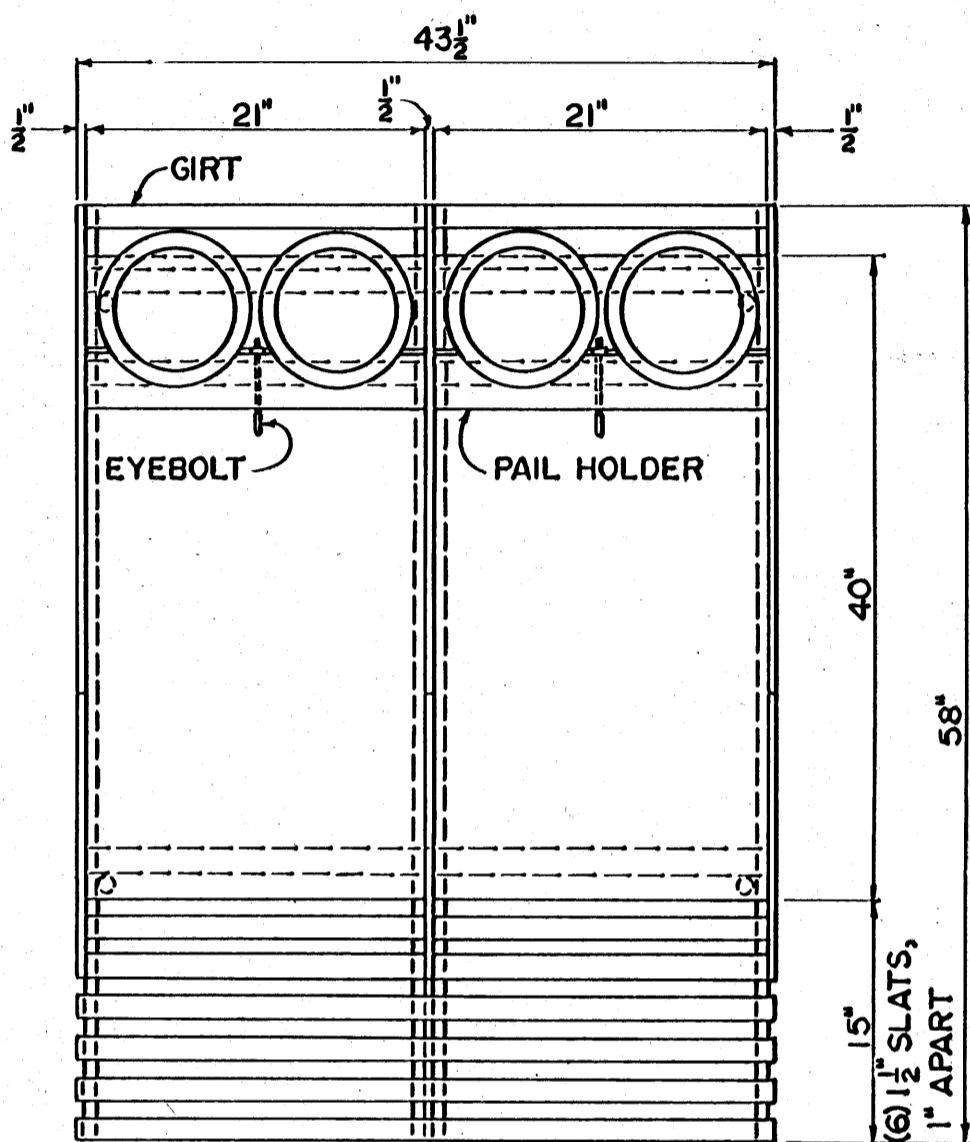
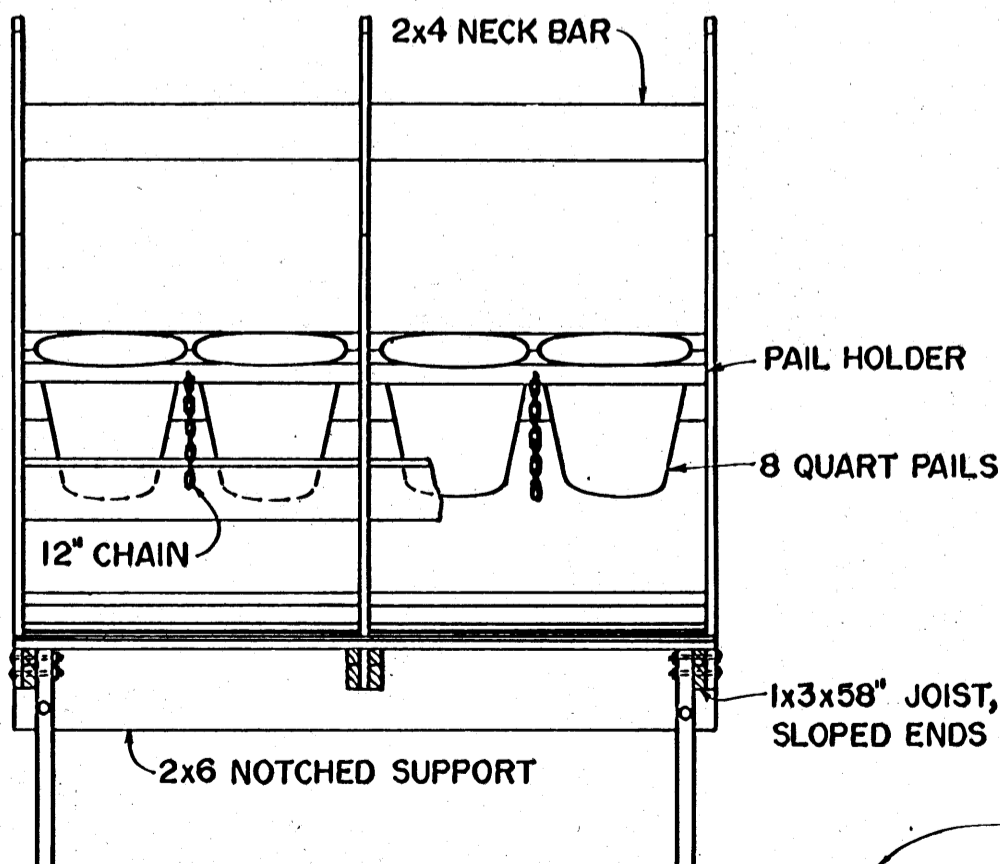


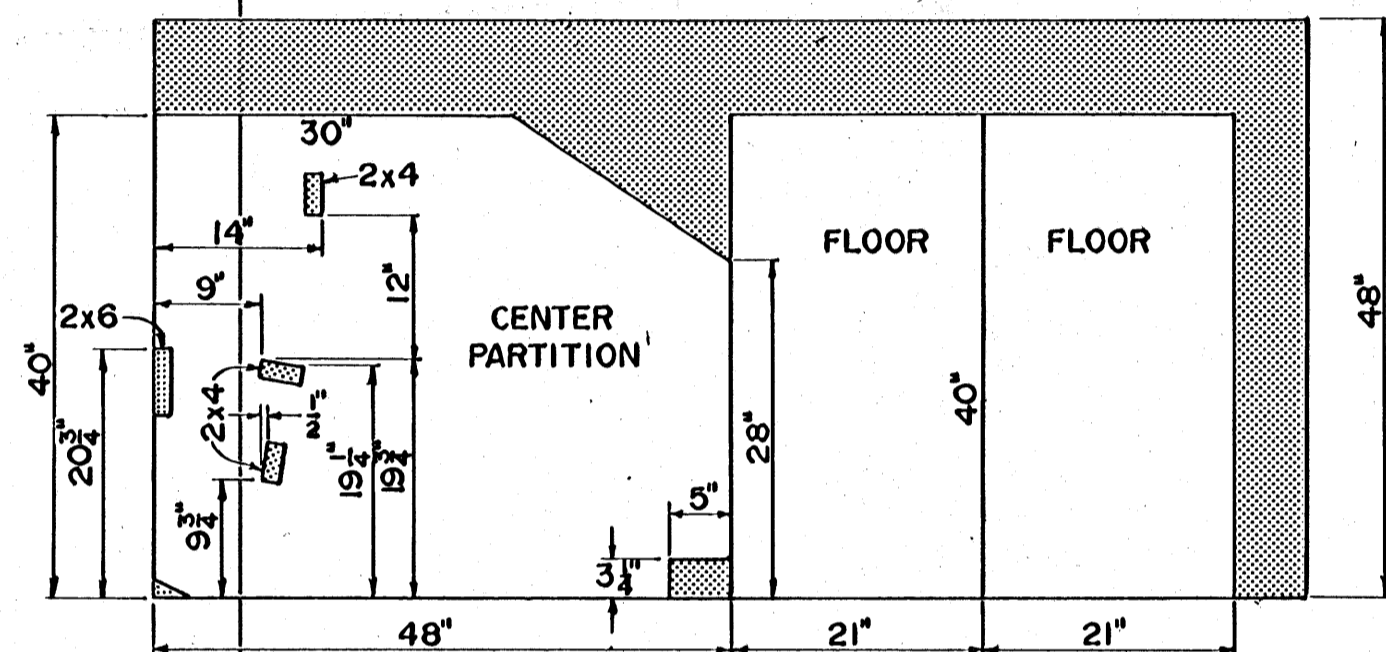
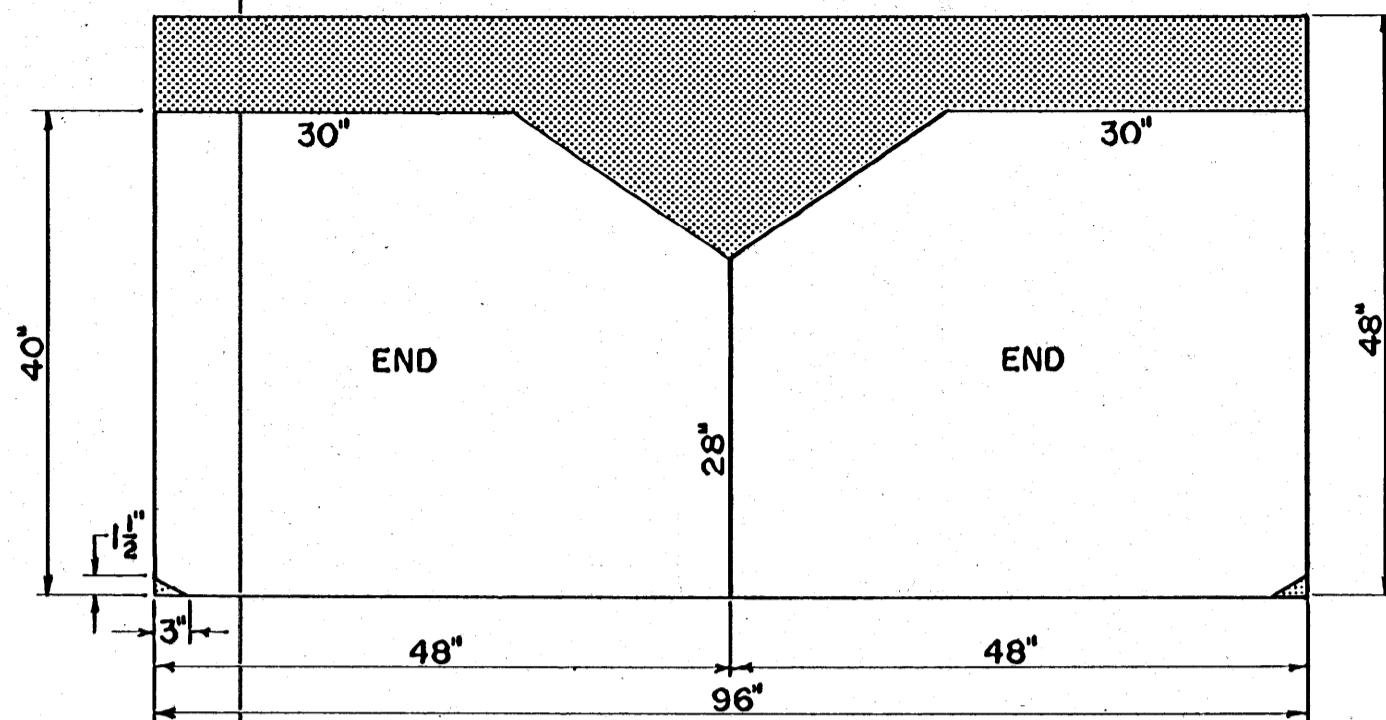
SLAT CUTTING DIAGRAM
HALF SIZE



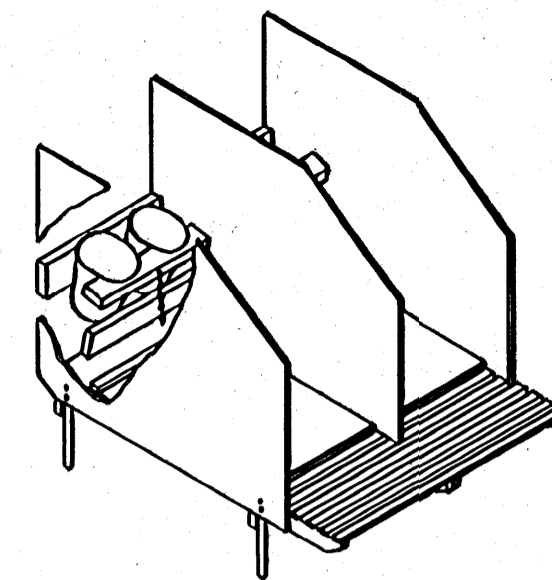
TOP VIEW
(NECK BAR REMOVED)



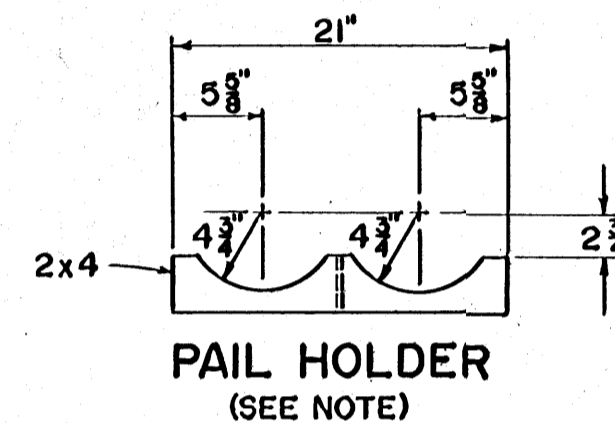
REAR VIEW



PLYWOOD CUTTING DIAGRAMS
SCALE: 3/4" = 1'-0"



ISOMETRIC VIEW



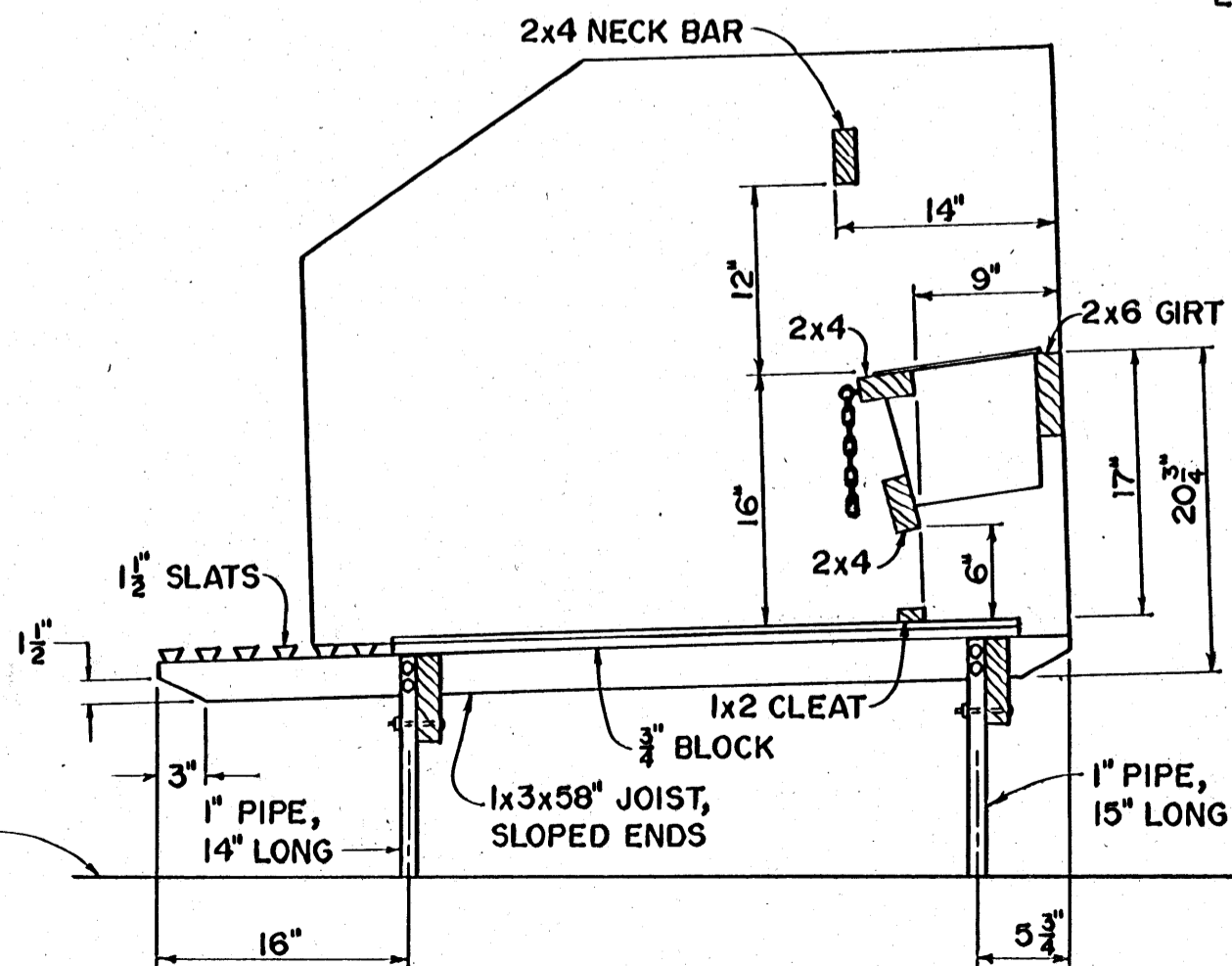
PAIL HOLDER
(SEE NOTE)

MATERIALS:

PARTITIONS AND FLOOR	2 SHEETS	4x8x1/2 EXTERIOR PLYWOOD
JOISTS	4	1x3x58"
PAIL HOLDER, NECK BAR	3	2x4x42 1/2"
SUPPORT	2	2x6x43 1/2"
GIRT	1	2x6x42 1/2"
CLEAT	2	1x2x21"
BLOCKING	4	3/4x3/4x40"
PIPE LEGS	2	1" DIA, 14" LONG
	2	1" DIA, 15" LONG
SLATS (HARDWOOD)	1	3/4x8x43 1/2"
EYEBOLTS, BOLTS, NAILS, CHAINS, 8 QUART PAILS		

NOTES:

1. SCALE: 1" = 1'-0" UNLESS OTHERWISE NOTED.
2. CHECK PAIL SIZE BEFORE STARTING CONSTRUCTION.
3. IF BEDDING IS NOT USED, REPLACE FLOOR WITH 9 GAUGE EXPANDED METAL.



CROSS SECTION

BASED ON: CORNELL UNIV. PLAN No. 837

COOPERATIVE EXTENSION WORK IN
AGRICULTURE AND HOME ECONOMICS
STATE OF MISSISSIPPI
MISSISSIPPI STATE UNIVERSITY
AND
UNITED STATES DEPARTMENT OF AGRICULTURE COOPERATING

PORTABLE STALLS
FOR CALVES

N.Y. '71 EX. 6138 SHEET 1 OF 1