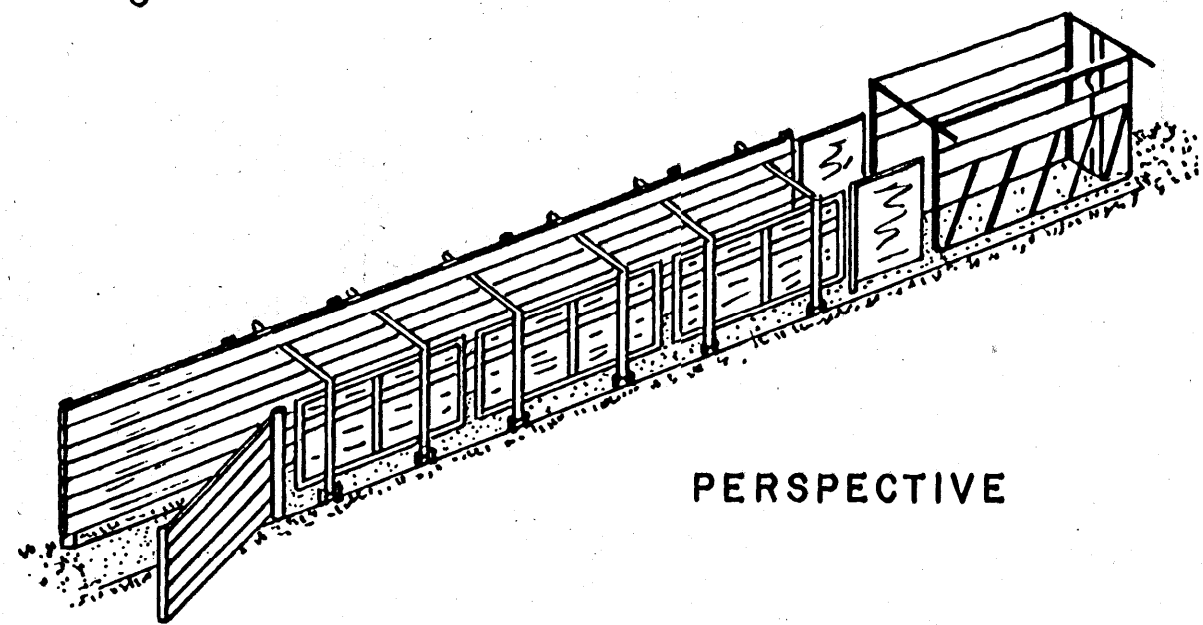
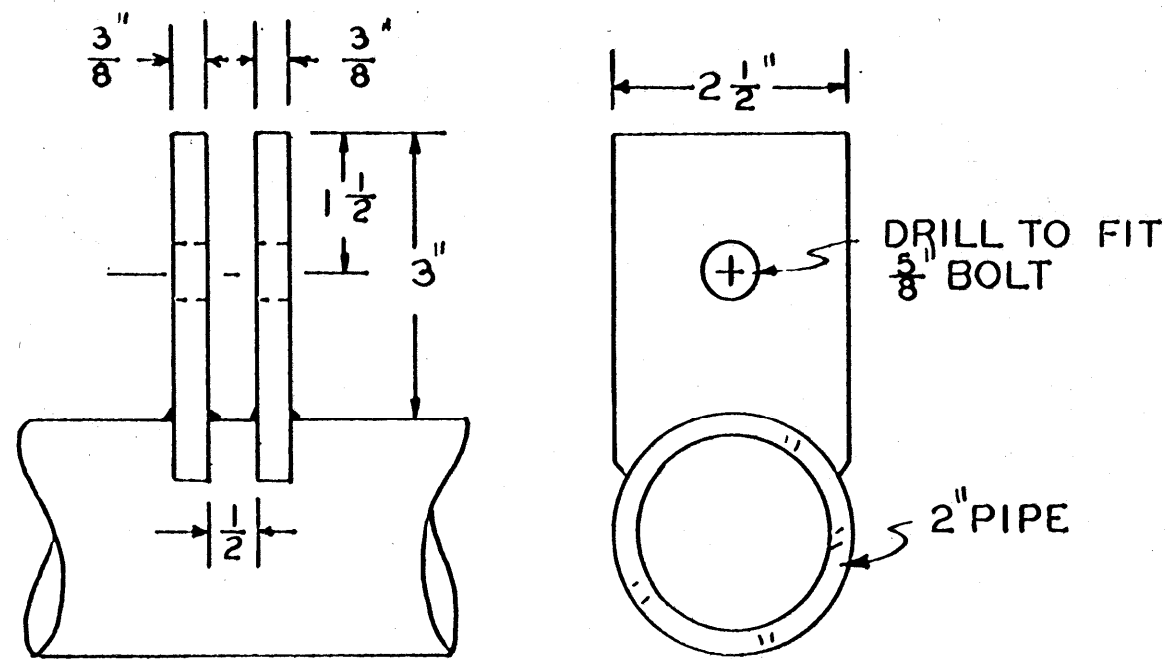


1/2" x 6" SLOT FOR THE BAR

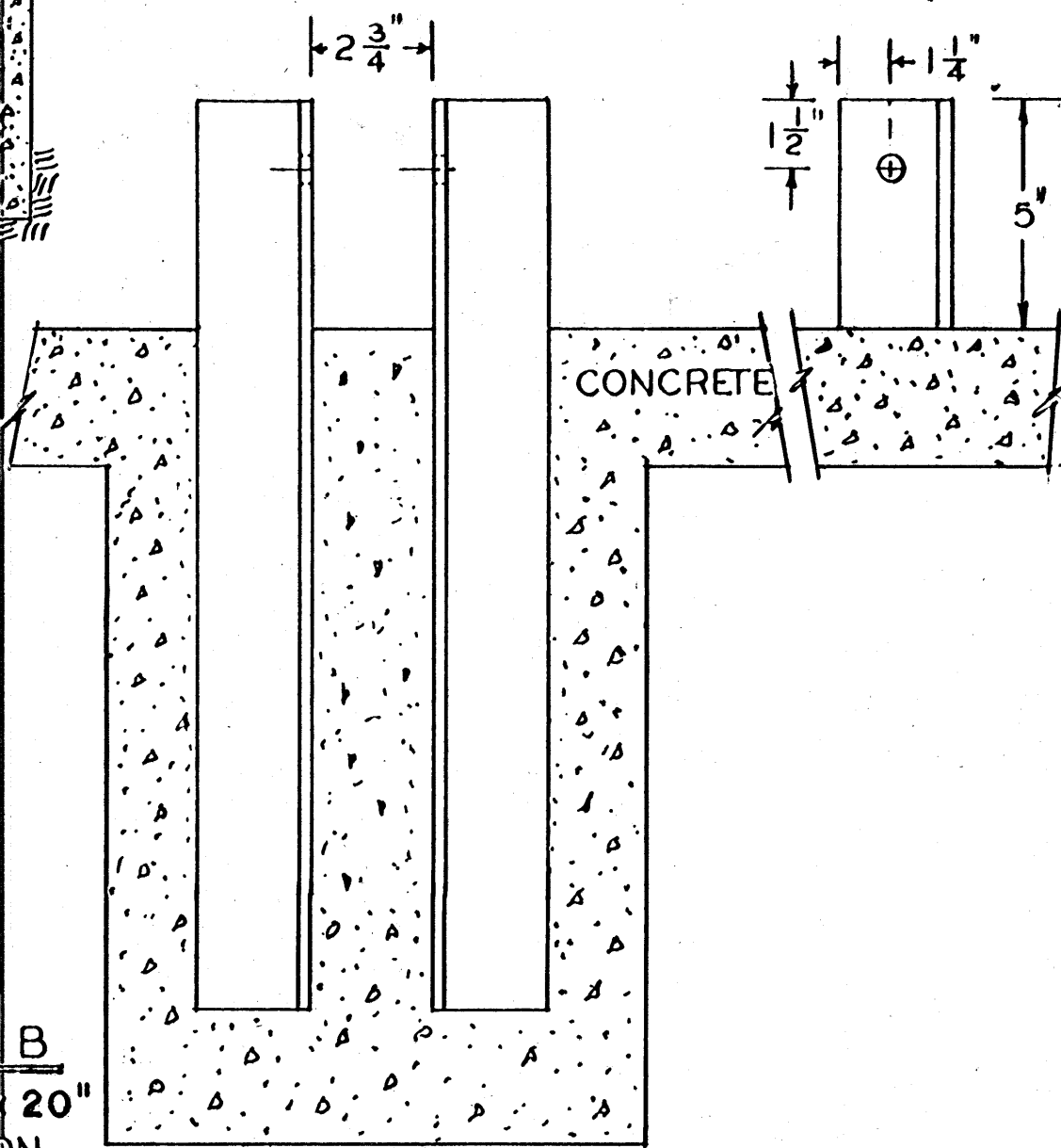
2 1/2" x 2 1/2" x 18" ANGLE-IRON WITH A 5/8" HOLE SO THE BAR CAN BE FASTEN WITH A 5/8" PIN



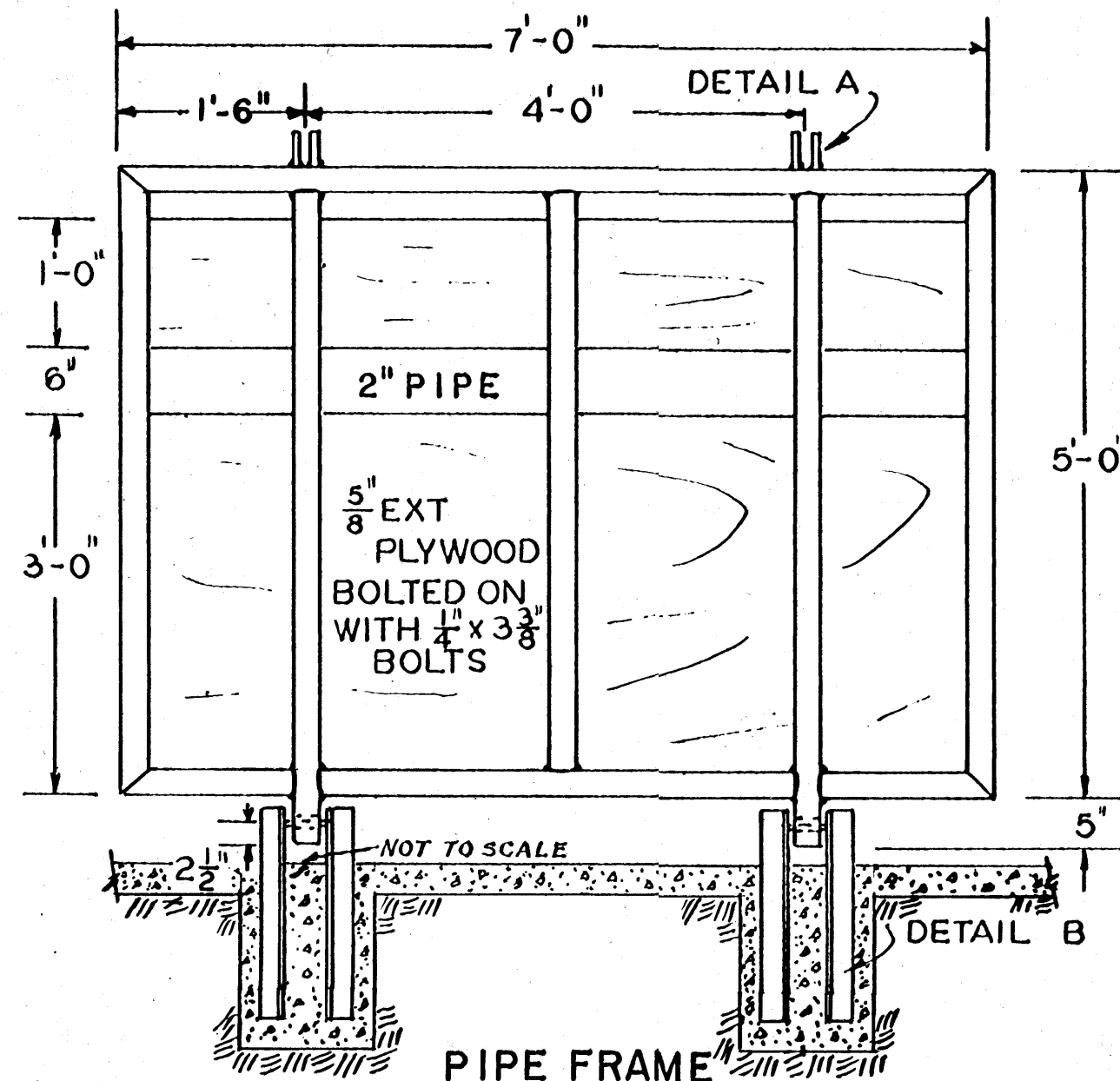
PERSPECTIVE



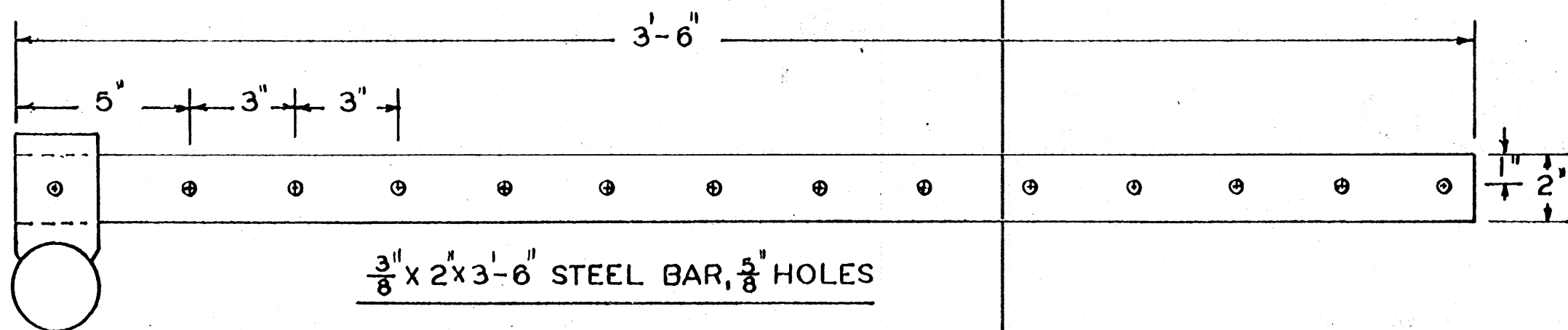
DETAIL A
HALF SIZE



DETAIL B
2 1/2" x 2 1/2" x 1/4" x 20" ANGLE IRON



PIPE FRAME
ADJUSTABLE SIDE



3/8" x 2" x 3'-6" STEEL BAR, 5/8" HOLES

BASED ON: OREGON STATE UNIV.
PLAN NO. BP 1110

COOPERATIVE EXTENSION WORK IN AGRICULTURE AND HOME ECONOMICS		
STATE OF MISSISSIPPI		
MISSISSIPPI STATE UNIVERSITY		
AND UNITED STATES DEPARTMENT OF AGRICULTURE COOPERATING		
CATTLE CHUTE ADJUSTABLE TYPE		
ORE.	'72	6153
		SHEET 1 OF 1