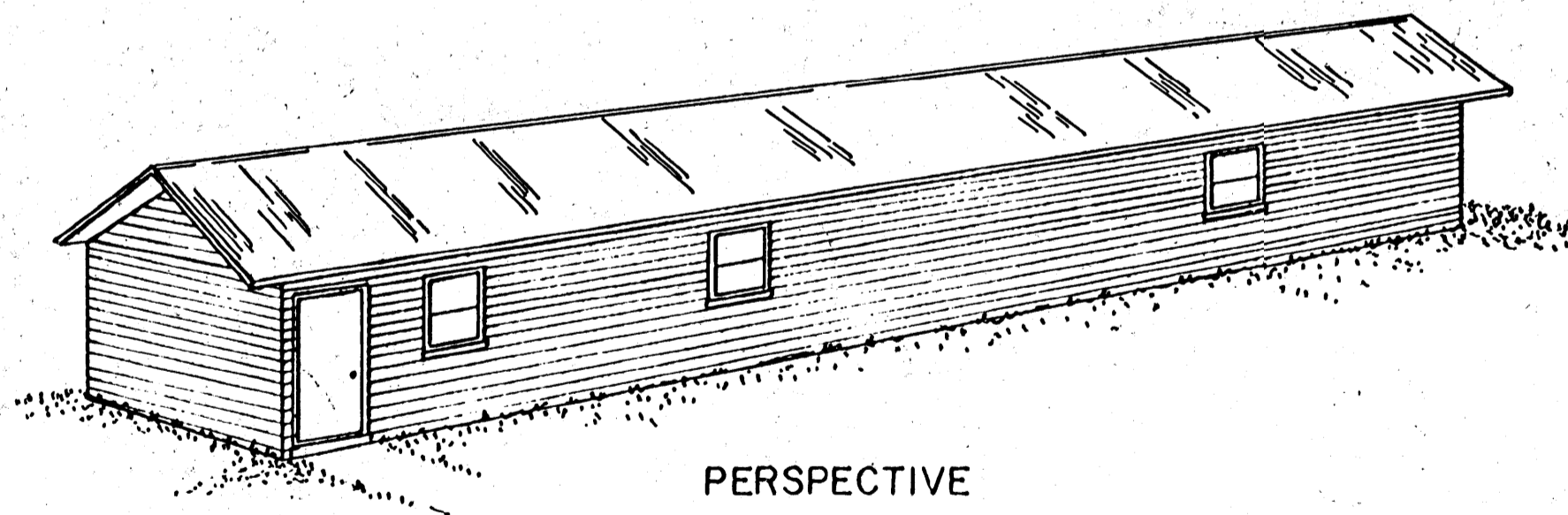


PLAN VIEW
1/4" = 1'0"

NOTES:

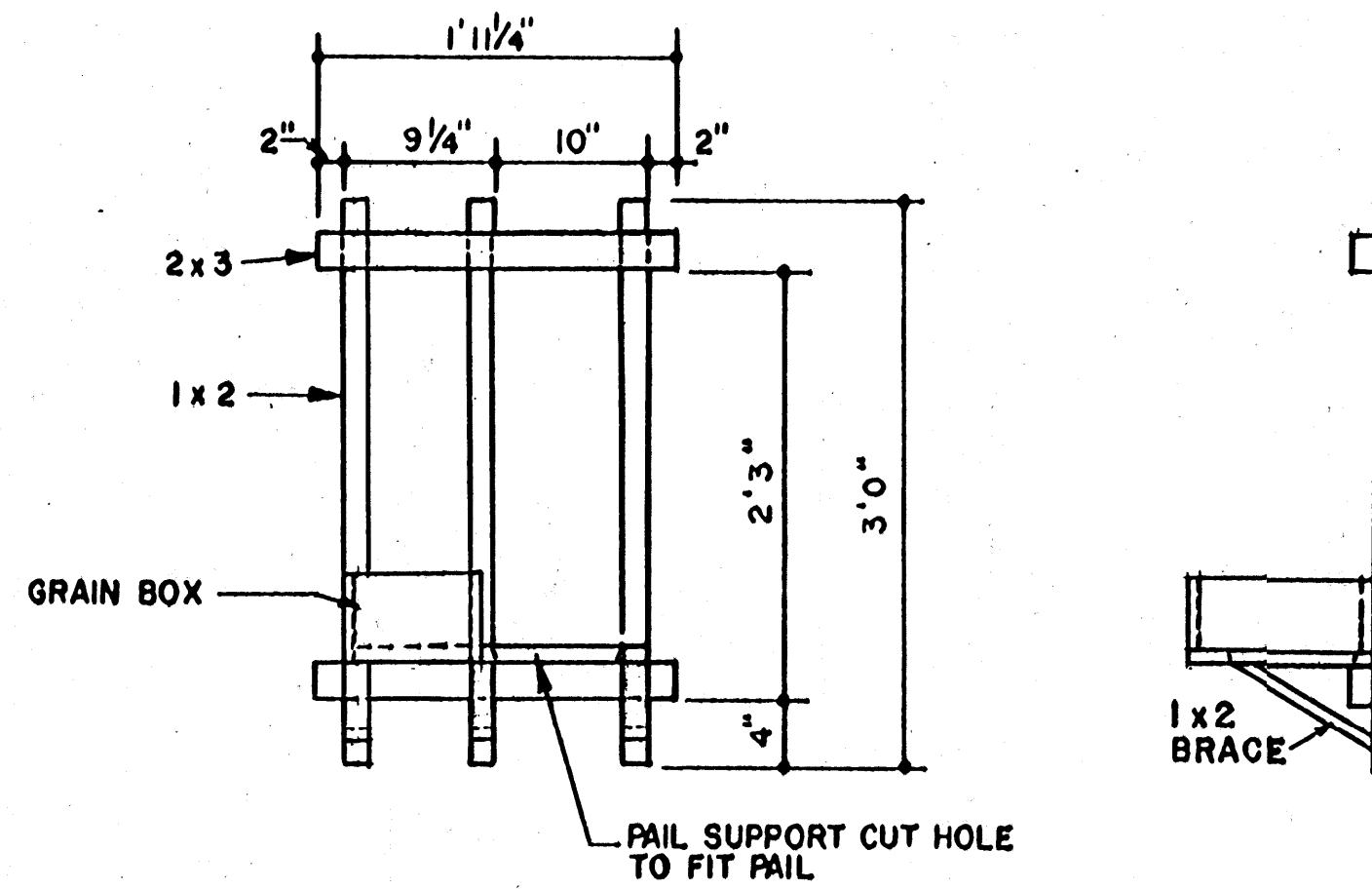
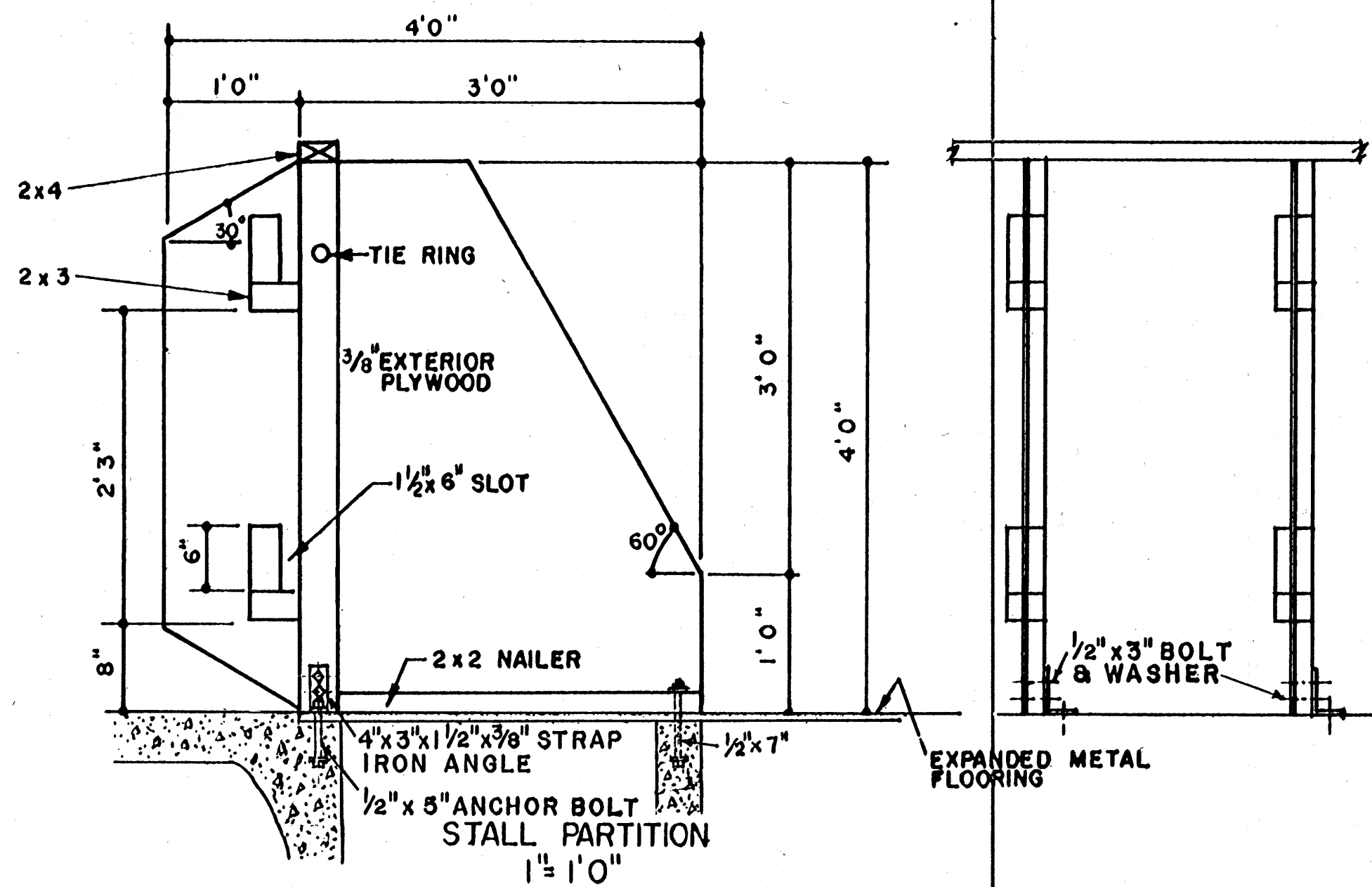
1. THIS FACILITY IS DESIGNED TO HOUSE DAIRY CALVES FROM 0-2 MONTHS OF AGE.
2. VENTILATION: PROVIDE A MINIMUM OF 400 CFM AT ALL TIMES AND A MAXIMUM OF 6000-7000 CFM FOR SUMMER VENTILATION. A VARIABLE SPEED FAN WITH MINIMUM AND MAXIMUMS IN THESE RANGES IS DESIRABLE. FAN CONTROLLER FOR VARIABLE SPEED FAN SHOULD BE SET AT 50°F.
3. FURNACE SHOULD PROVIDE MINIMUM OUTPUT OF 50,000 BTU PER HOUR. SET THERMOSTAT AT 45F. TO AVOID CONFLICT WITH VENTILATION SYSTEM. FURNACES BURNING FOSSIL FUELS MUST BE VENTED TO OUTSIDE.
4. RAFTERS AND CEILING JOISTS DESIGNED ON 1200 PSI MINIMUM FIBER STRESS. DESIGN LOAD: 25 PSF ROOF, 5 PSF CEILING.
5. PRESSURE TREATED MATERIAL SHOULD HAVE 7LBS. PER CUBIC FOOT PRESERVATIVE RETENTION PER AWPAS STANDARDS.
6. WASTE LINE SHOULD PITCH 1/4" PER FOOT TO LAGOON. LAGOON TO BE DESIGNED IN ACCORDANCE WITH RECOMMENDATIONS OF THE LOCAL HEALTH AND BUILDING CODE AUTHORITIES.
7. FLOORING OVER GUTTER: #9 FLATTENED EXPANDED METAL WITH 1" OPENINGS.



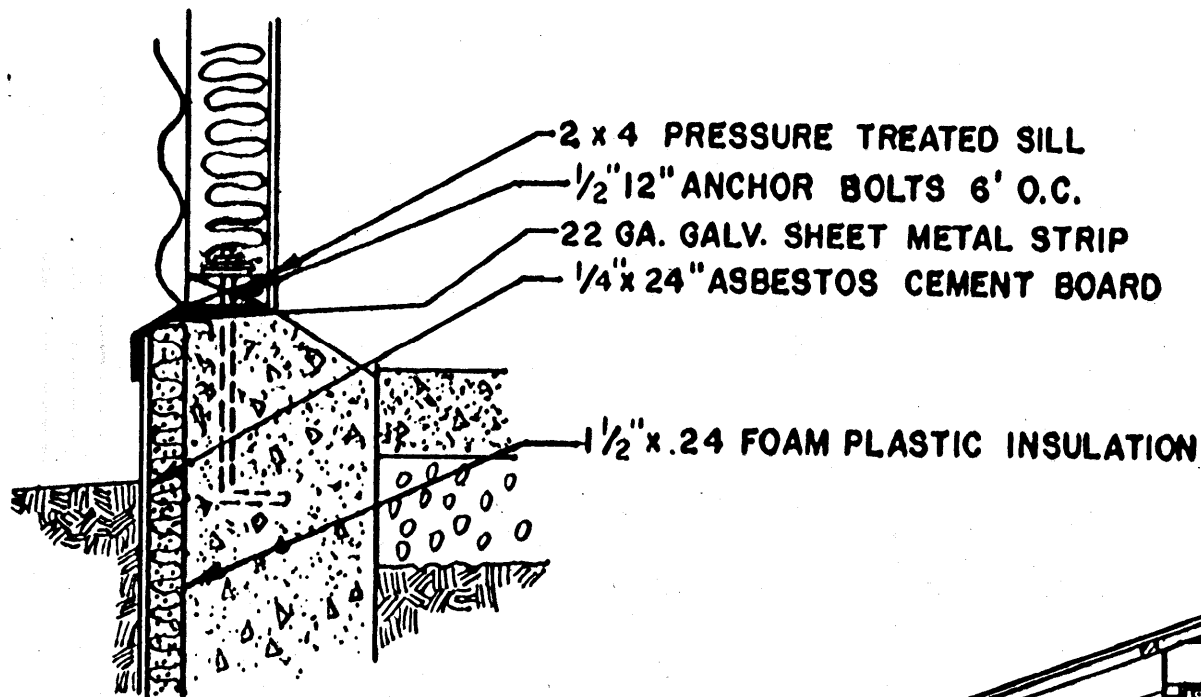
PERSPECTIVE

BASED ON: UNIV. OF MISSOURI
PLAN NO. 22-723-C2

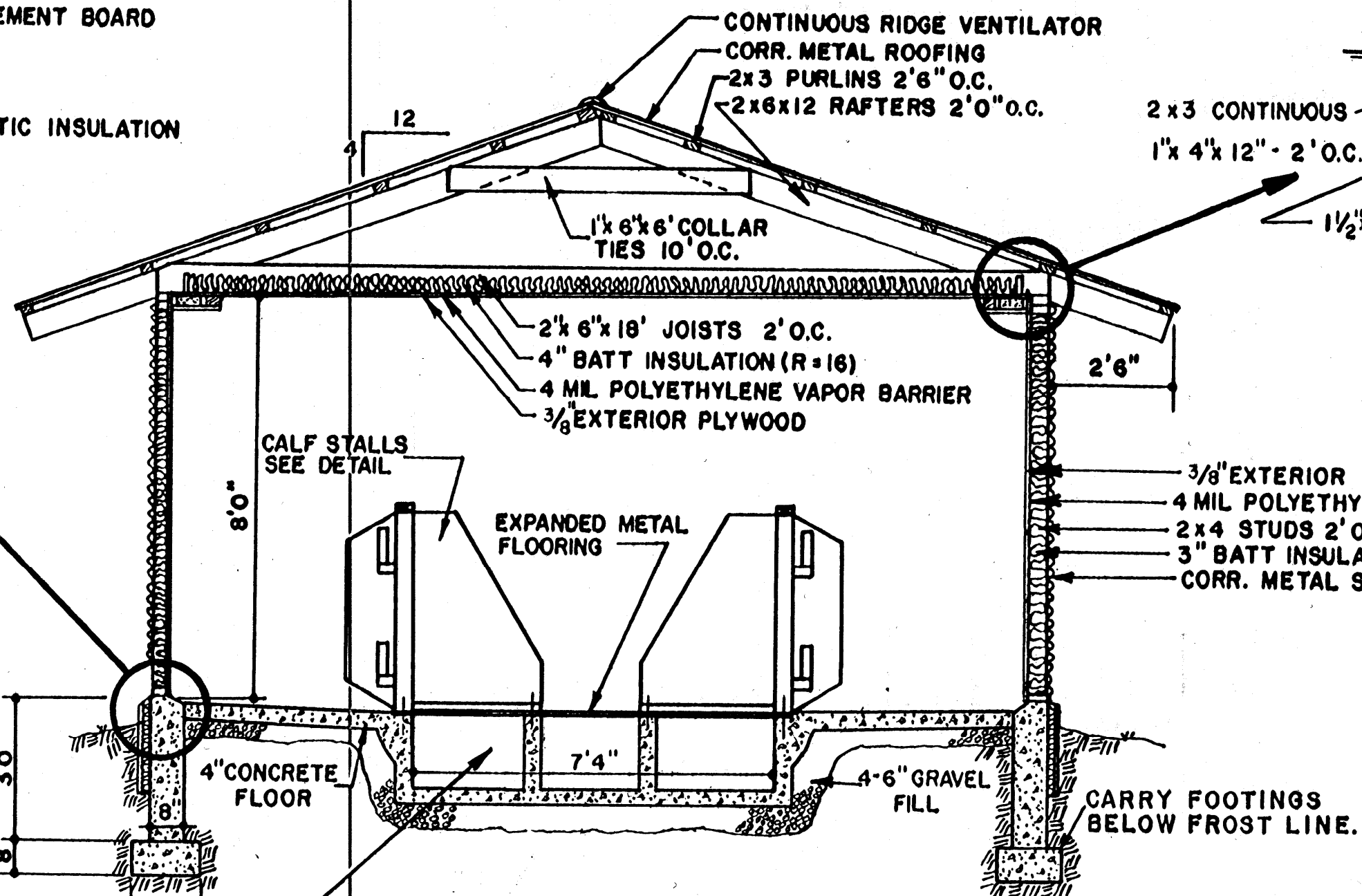
COOPERATIVE EXTENSION WORK IN AGRICULTURE AND HOME ECONOMICS		
STATE OF MISSISSIPPI MISSISSIPPI STATE UNIVERSITY AND UNITED STATES DEPARTMENT OF AGRICULTURE COOPERATING		
DAIRY CALF NURSERY		
MO. '73	EX. 6164	SHEET 1 OF 2



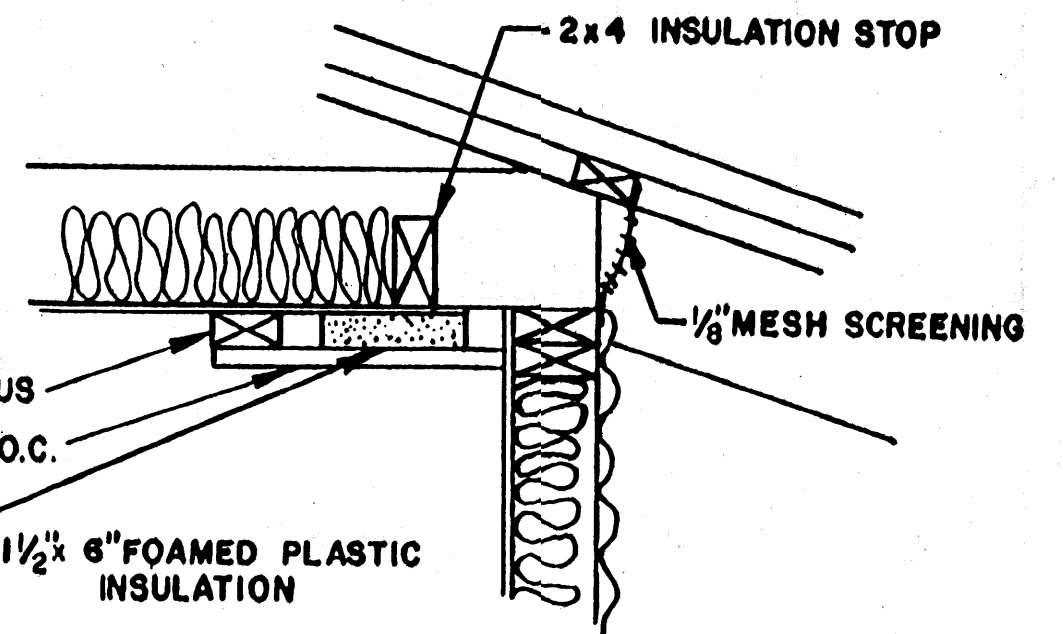
HEAD GATE
1" = 1'0"



PERIMETER INSULATION
1 1/2" = 1'0"



SECTION
3/8" = 1'0"



SLOT INLET DETAIL
1 1/2" = 1'0"

COOPERATIVE EXTENSION WORK IN
AGRICULTURE AND HOME ECONOMICS
STATE OF MISSISSIPPI
MISSISSIPPI STATE UNIVERSITY
AND
UNITED STATES DEPARTMENT OF AGRICULTURE COOPERATING

DAIRY CALF NURSERY

MO. '73 EX. 6164 SHEET 2 OF 2