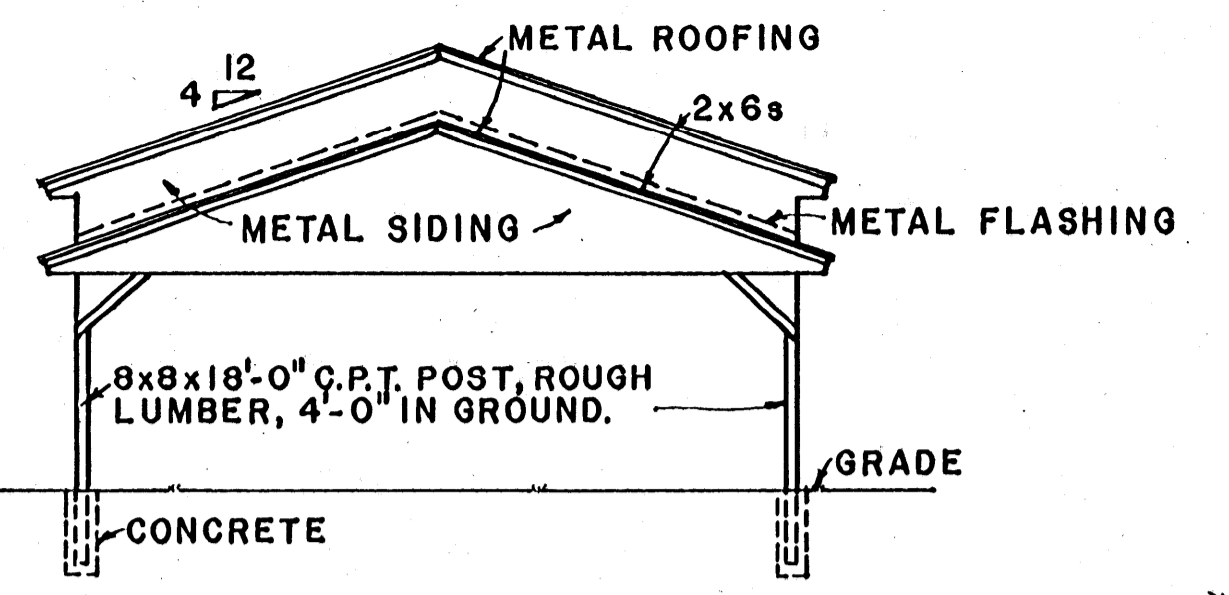
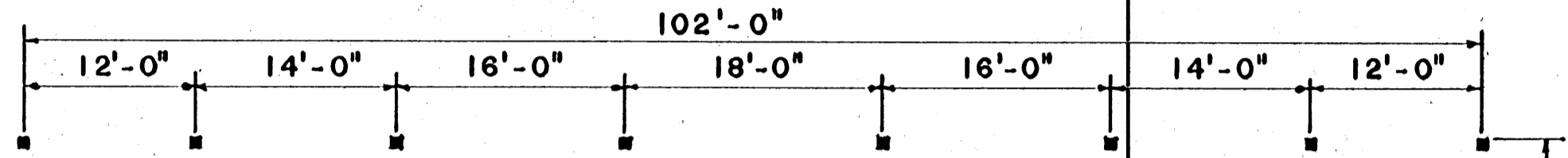


FRONT ELEVATION

SCALE: 3/32" = 1'-0"



RIGHT END ELEVATION

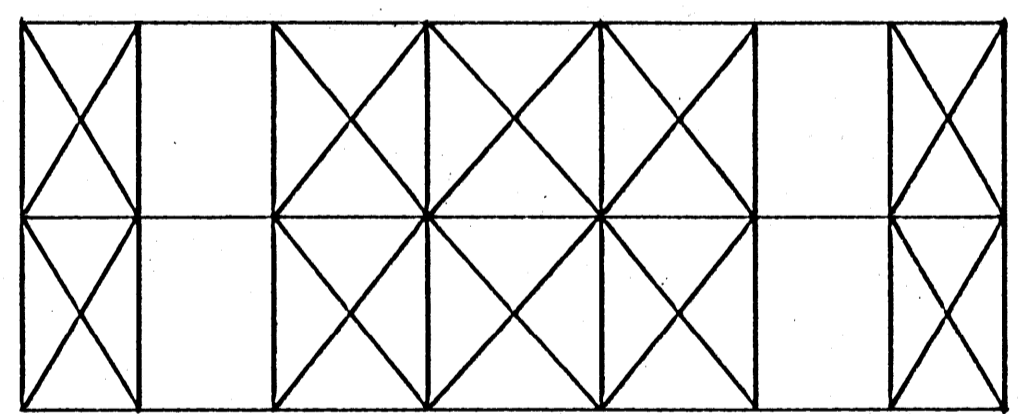


PLAN

SCALE: 3/32" = 1'-0"

NOTE:  
C.P.T. (CREOSOTE PRESSURE TREATED)

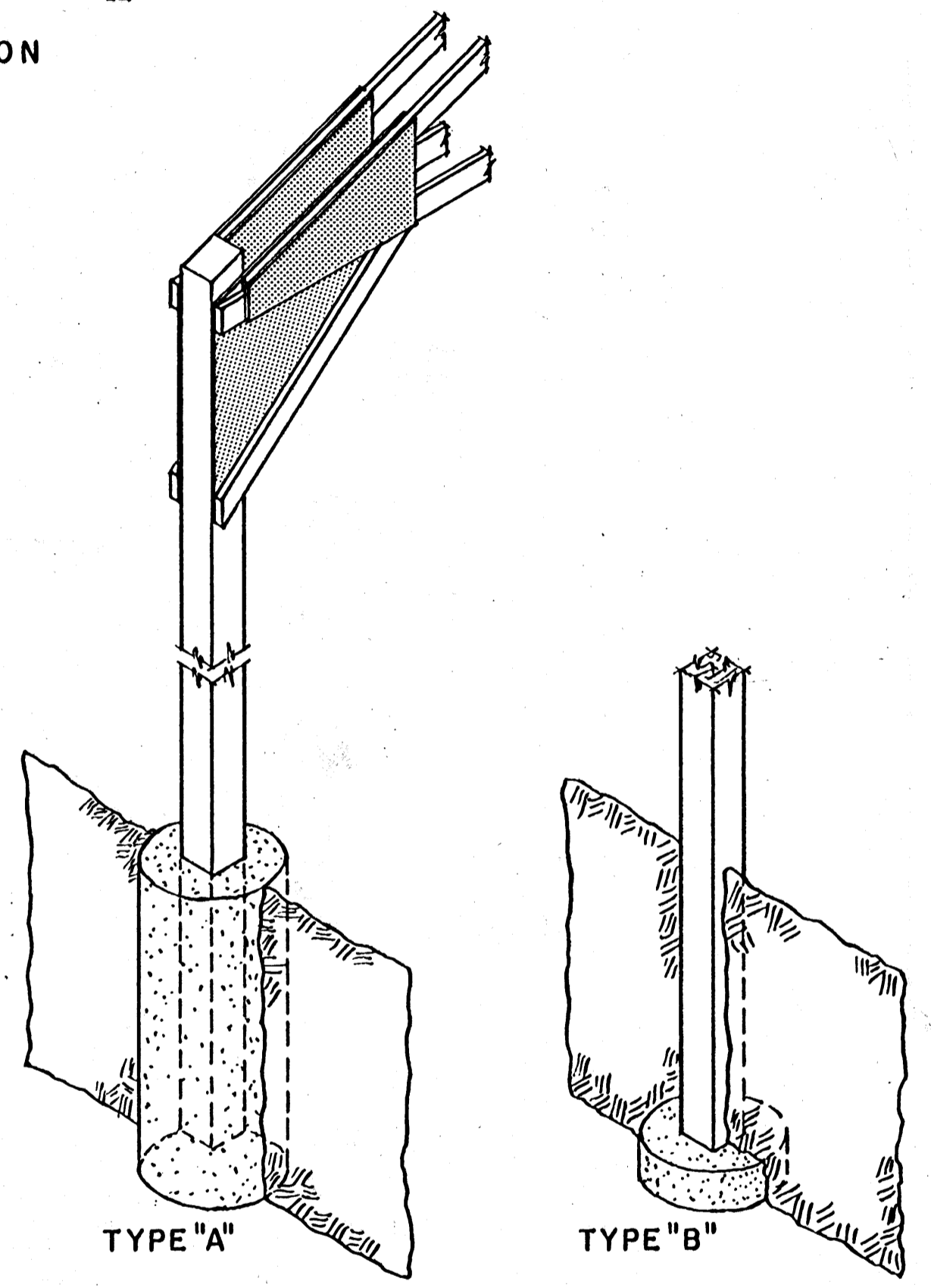
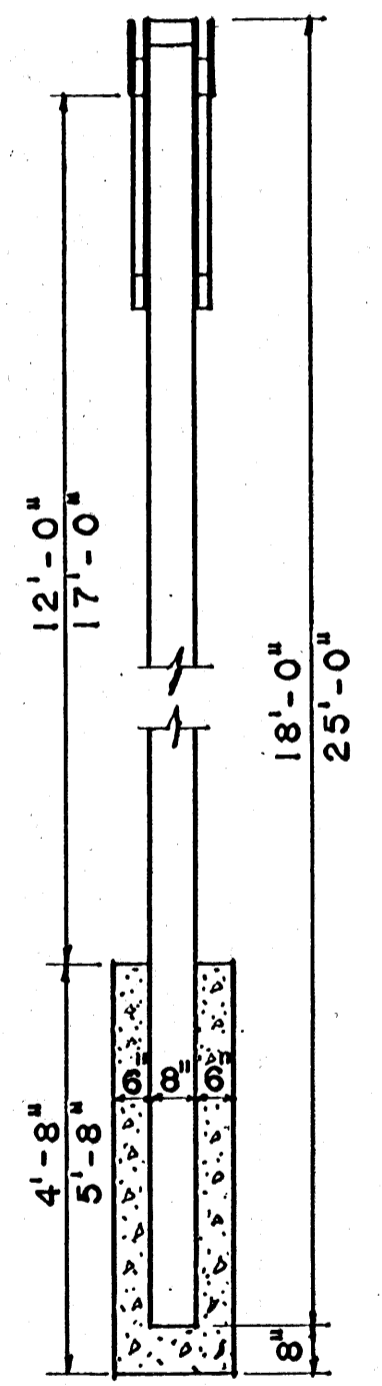
8x8x18'-0" C.P.T. POSTS, ROUGH LUMBER, 4'-0" IN GROUND.



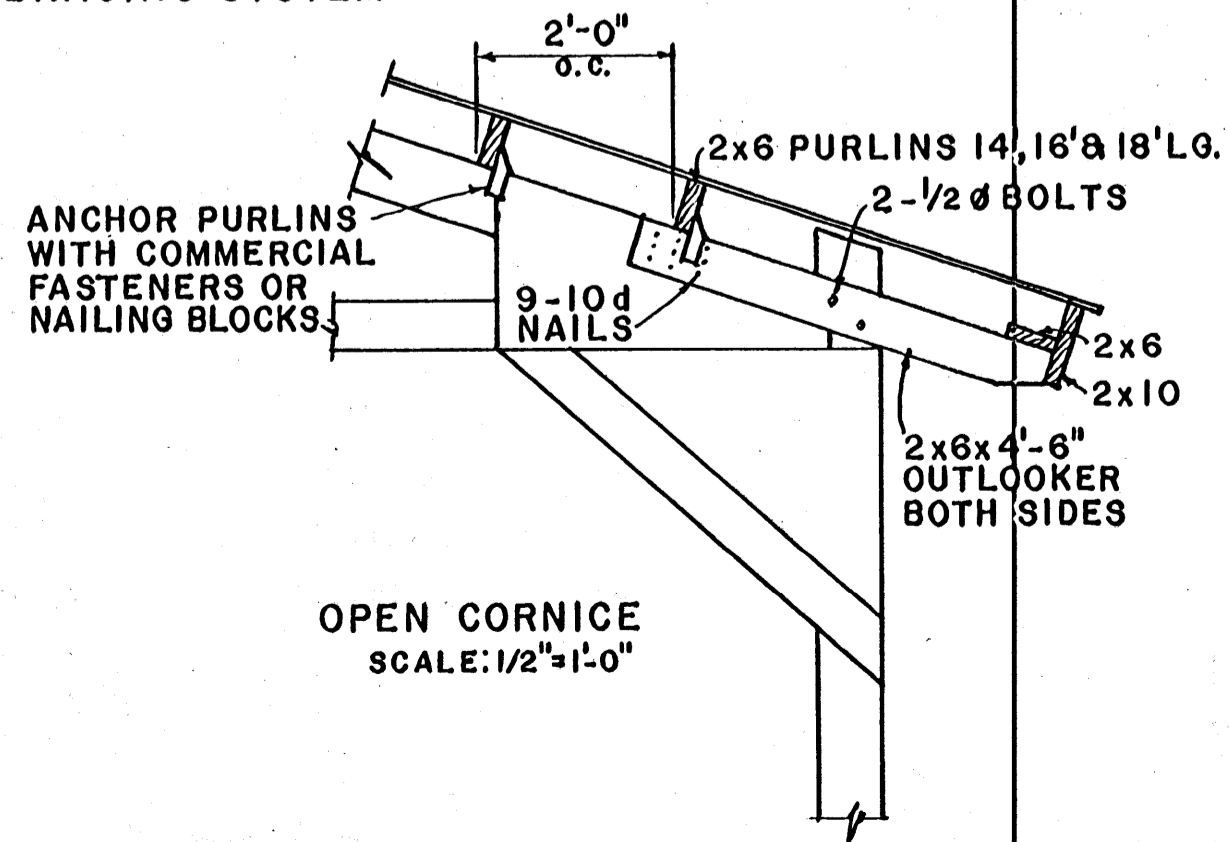
ROOF BRACING SYSTEM

NOTE:  
CONSULT LOCAL HEALTH AND BUILDING CODE AUTHORITIES BEFORE STARTING CONSTRUCTION

NOTE:  
USE 1x6 BRACES NAILED UNDER PURLINS.



DETAILS SHOWING POST & TYPES OF FOOTINGS  
SCALE: 3/8" = 1'-0"



OPEN CORNICE  
SCALE: 1/2" = 1'-0"

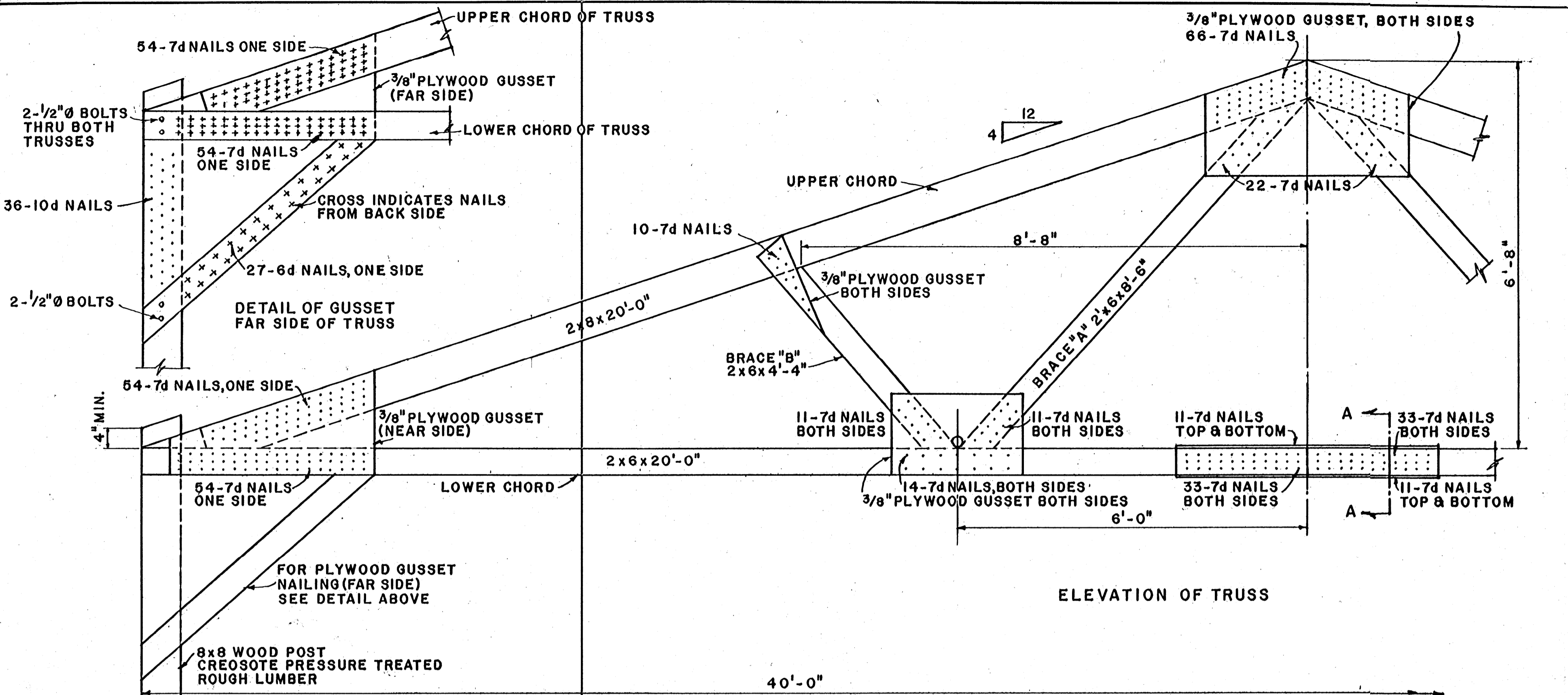
NOTES:  
ALL LUMBER SHALL BE STRESS GRADED TO PROVIDE 1500 PSI FIBER STRESS IN BENDING, AND 1350 PSI IN COMPRESSION.  
ONE TRUSS CAN SAFELY CARRY A LOAD OF 200 LBS. PER FOOT OF SPAN.  
DIMENSIONS OF MEMBERS SHOWN OTHER THAN POSTS ARE BASED ON THE USE OF DRESSED LUMBER.

BASED ON: MISS. STATE UNIV. PLAN NO. 5841B

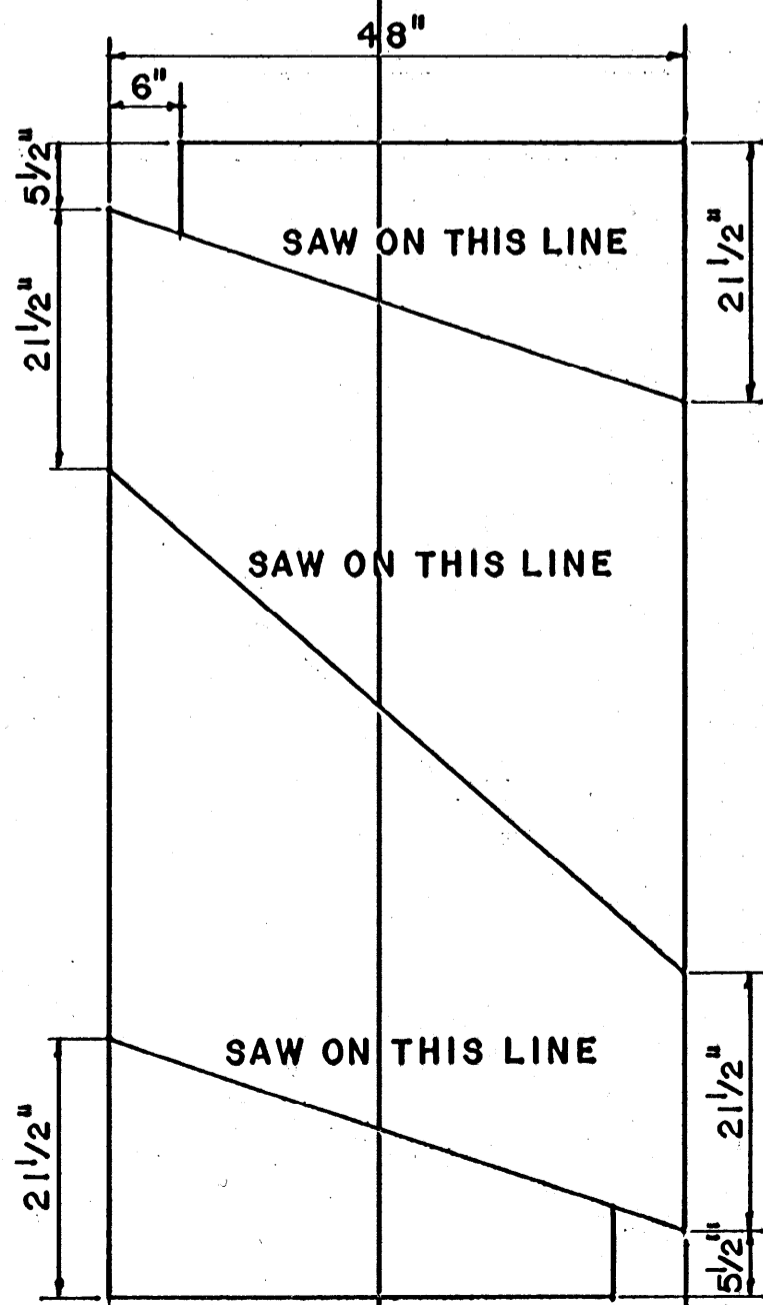
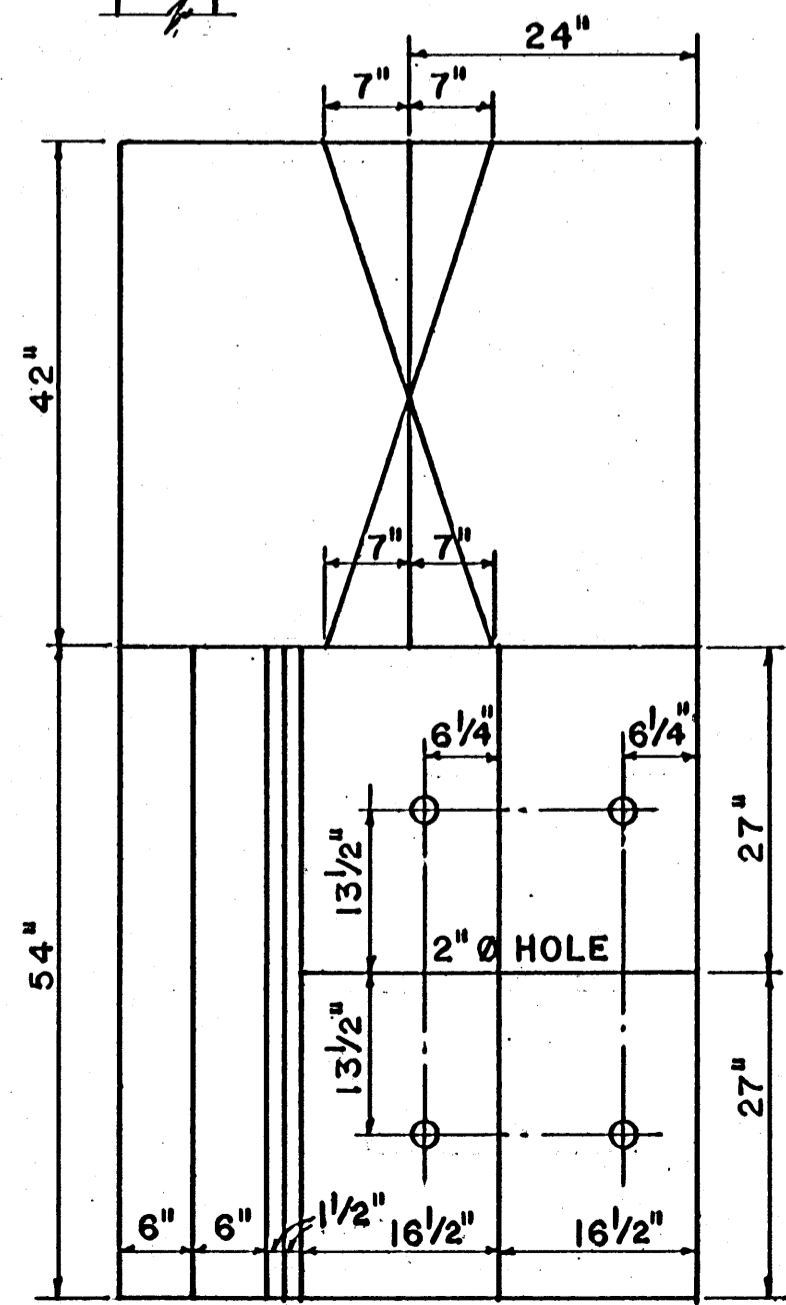
COOPERATIVE EXTENSION WORK IN  
AGRICULTURE AND HOME ECONOMICS  
STATE OF MISSISSIPPI  
MISSISSIPPI STATE UNIVERSITY  
AND  
UNITED STATES DEPARTMENT OF AGRICULTURE COOPERATING

**IMPLEMENT SHED**

MISS. '73	EX. 6168	SHEET 1 OF 2
-----------	----------	--------------



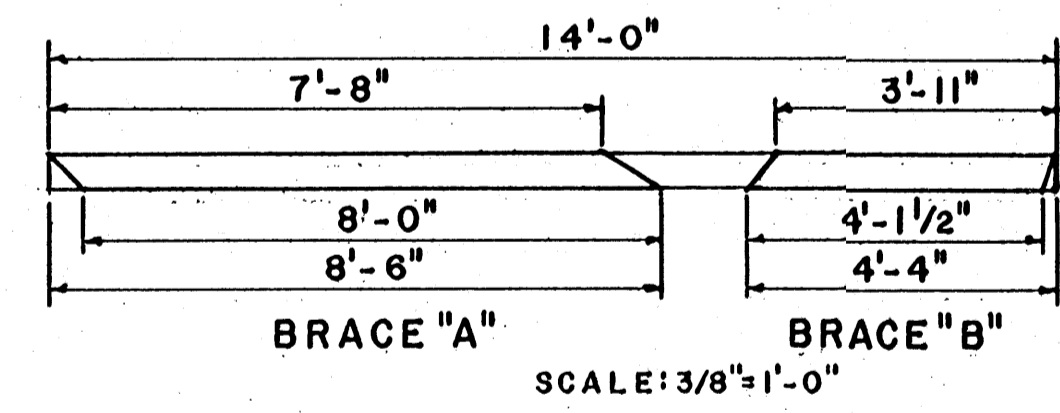
ELEVATION OF TRUSS



SECTION "A-A"  
SCALE: 3"=1'-0"

GUSSET DETAILS  
3/8" x 48" x 96" EXTERIOR  
TYPE PLYWOOD

SCALE: 3/4"=1'-0" UNLESS OTHERWISE NOTED.



NOTES: ALL NAILS ARE COMMON SIZE.  
USE HOT DIP GALVANIZED.  
ONE HALF OF THE 7d NAILS ARE NAILED FROM ONE SIDE AND THE OTHER HALF ARE NAILED FROM THE OPPOSITE SIDE. WHEN DRIVING 7d NAILS, THE FAR GUSSET MUST BE FULLY SUPPORTED TO HOLD IT AGAINST THE LUMBER.  
PLYWOOD TO BE 3/8" EXTERIOR TYPE.

COOPERATIVE EXTENSION WORK IN  
AGRICULTURE AND HOME ECONOMICS  
STATE OF MISSISSIPPI  
MISSISSIPPI STATE UNIVERSITY  
AND  
UNITED STATES DEPARTMENT OF AGRICULTURE COOPERATING

**IMPLEMENT SHED**

MISS. '73 EX. 6168 SHEET 2 OF 2