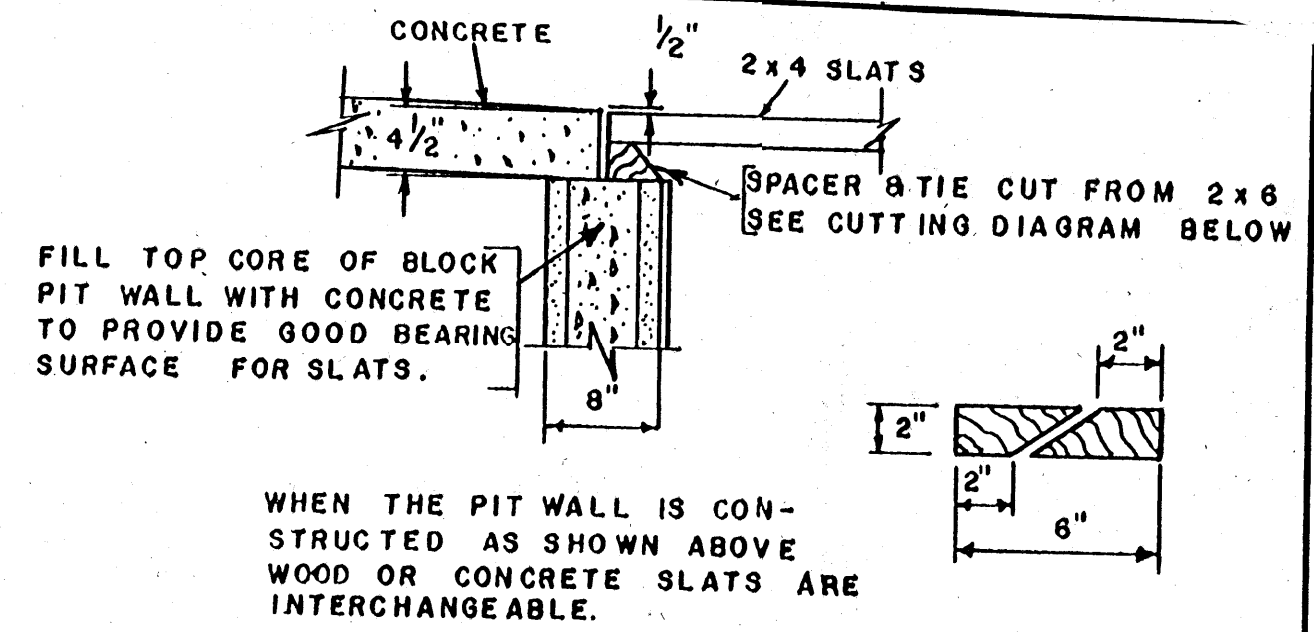
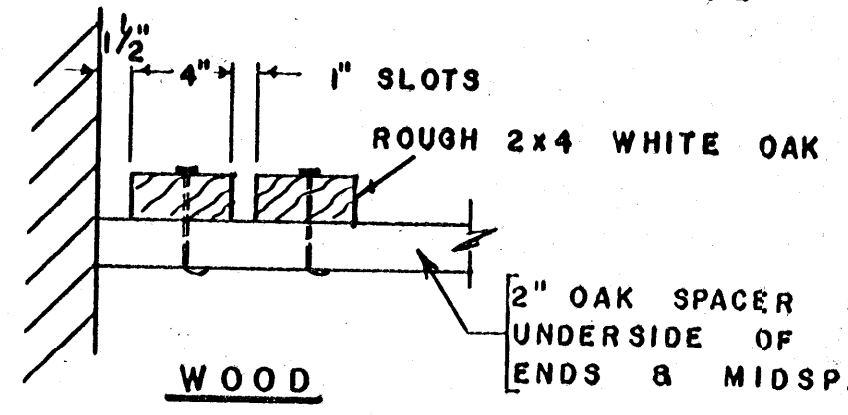


PLAN

SCALE: 1/8" = 1'-0"



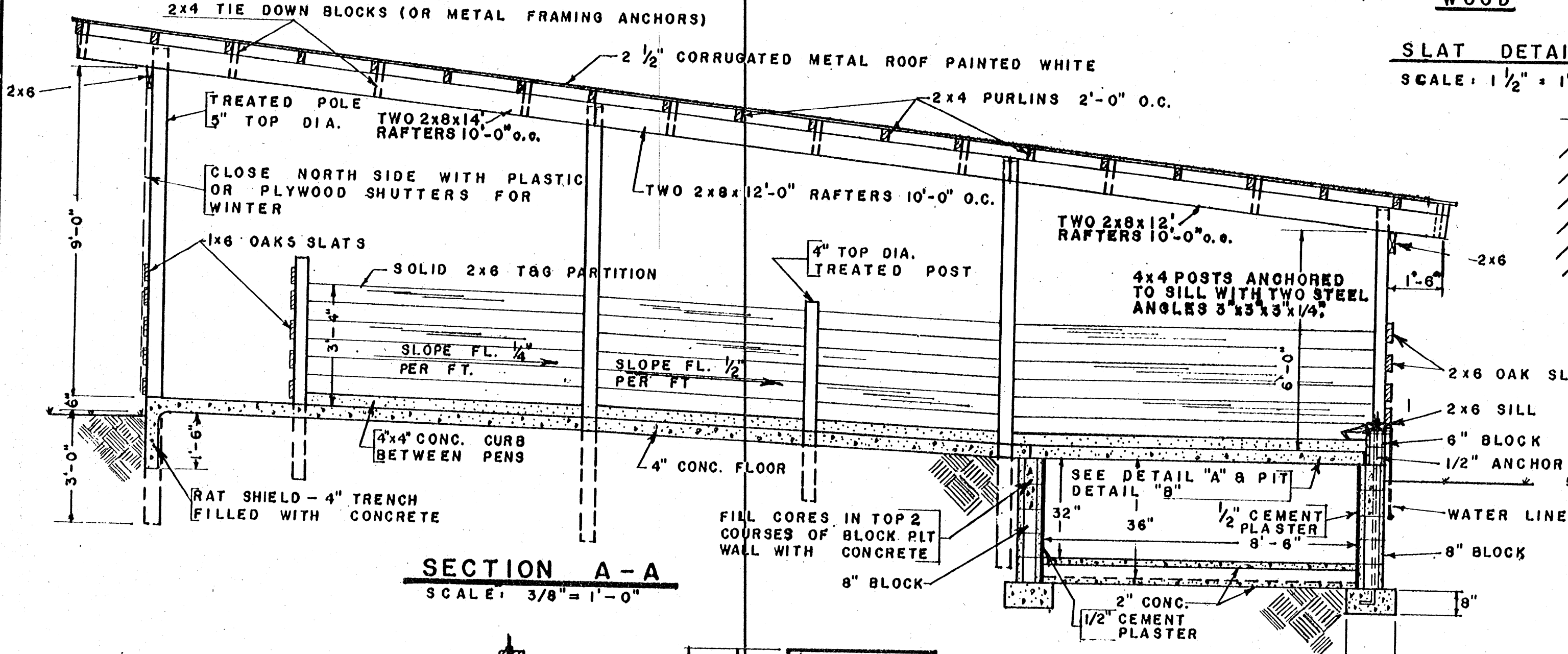
PIT CONSTRUCTION DETAIL
NOT TO SCALE



SLAT DETAIL

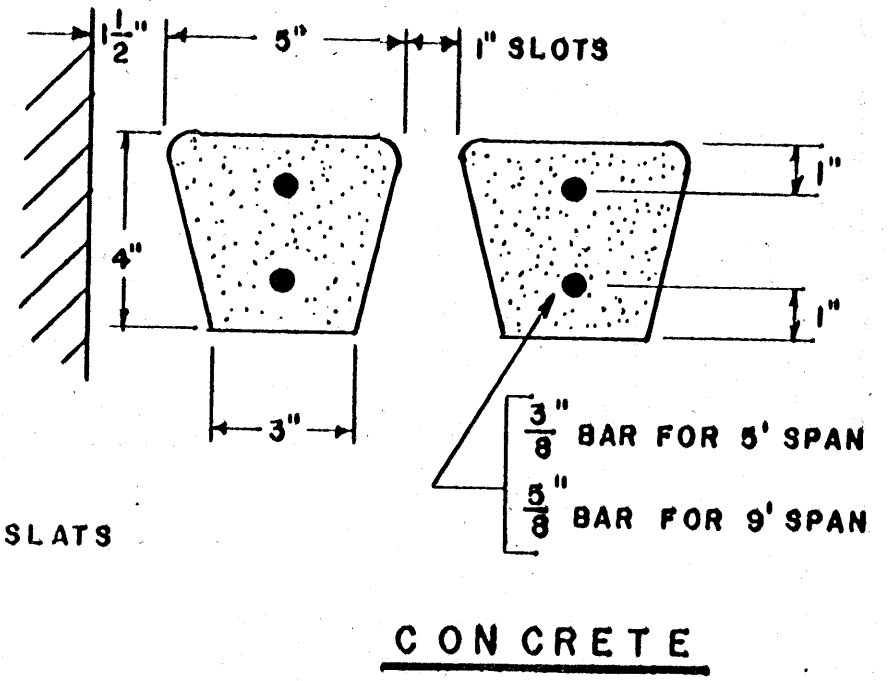
SCALE: 1/2" = 1'-0"

FOR FARROWING OR FEEDER PIG PLAN SEE DETAIL B FOR WOOD SLATS USED ON FARROW TO FINISH PLAN



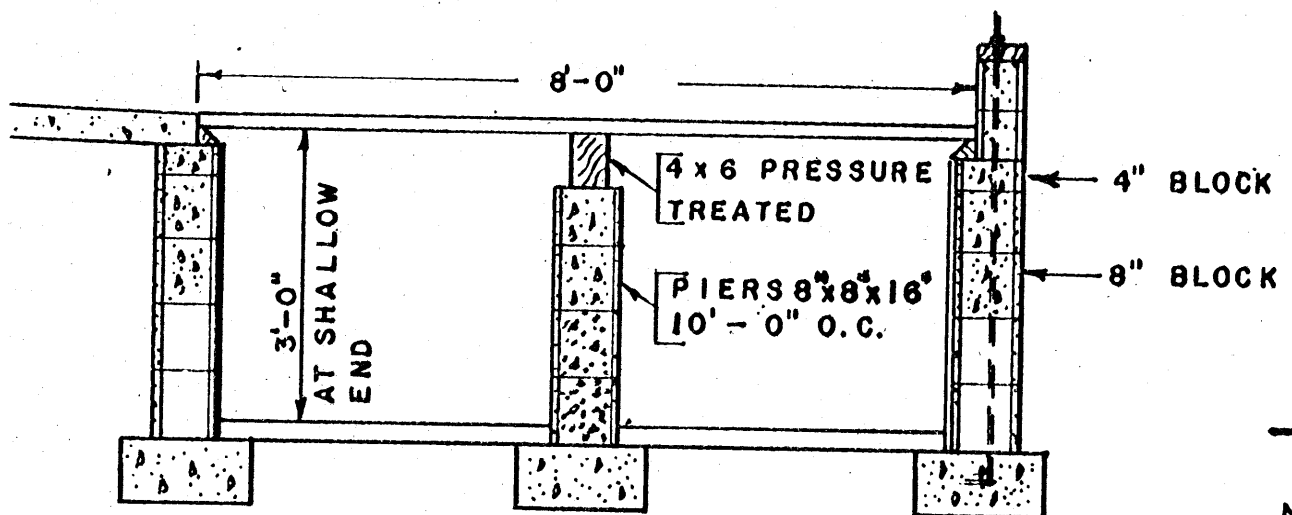
SECTION A-A

SCALE: 3/8" = 1'-0"



CONCRETE

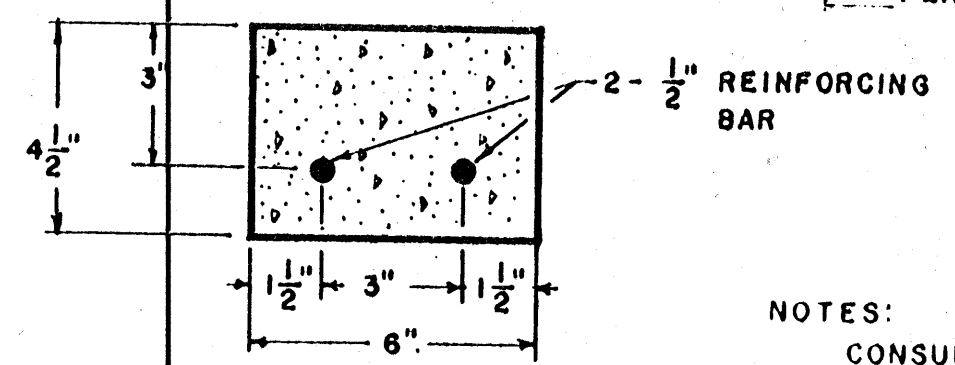
NOTE:
FILL FEEDERS WITH FIXED AUGER FROM FEED BIN (IF TWO RATONS ARE FED, TWO BINS ARE NEEDED) OR FROM TRUCK ON NORTH SIDE WITH PORTABLE AUGER.



DETAIL "B"

SCALE: 1/2" = 1'-0"

PIT DETAIL USING WOOD SLATS



DETAIL "A" - PRECAST LINTEL

SCALE: 3" = 1'-0"

NOTE:
LINTEL OVER PIT CAN BE OMITTED IF CURB OVER PIT IS OMITTED.

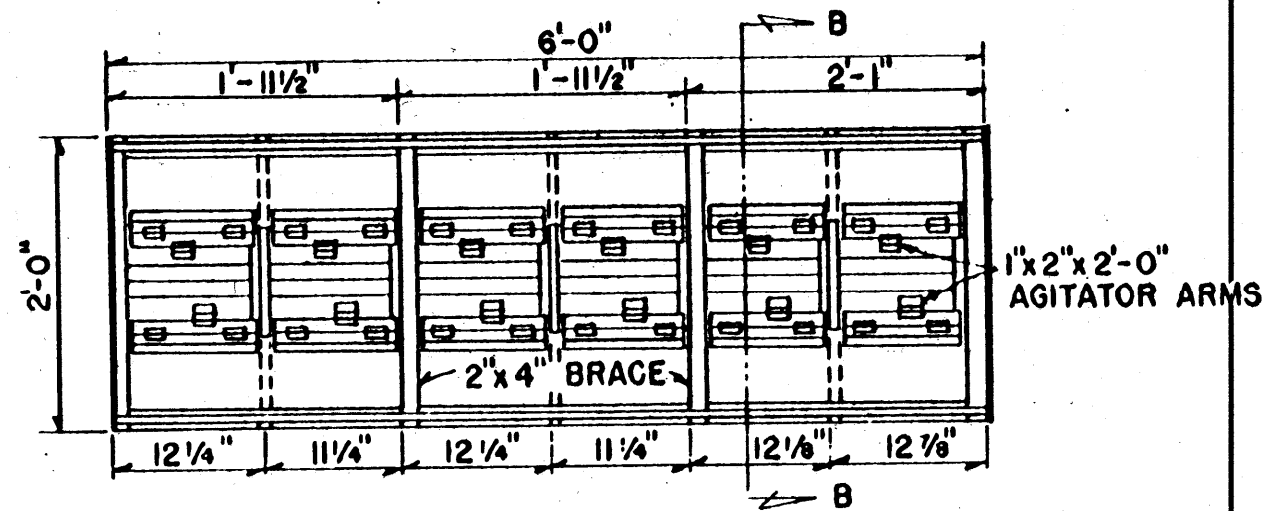
NOTES:
CONSULT LOCAL HEALTH AUTHORITIES BEFORE STARTING CONSTRUCTION TO BE SURE THAT THE PLAN CONFORMS WITH LOCAL AND STATE REGULATIONS.
DIMENSIONS OF MEMBERS SHOWN OTHER THAN POLES ARE BASED ON THE USE OF DRESSED LUMBER.
PRESSURE-TREATED WOOD SHOULD RETAIN THE EQUIVALENT OF 8LBS. OF CREOSOTE PER CUBIC FOOT.
ALL METAL FASTENERS TO BE GALVANIZED.

BASED ON: MISS. STATE UNIV. PLAN 5986B AND NORTH CAROLINA STATE UNIV. PLAN

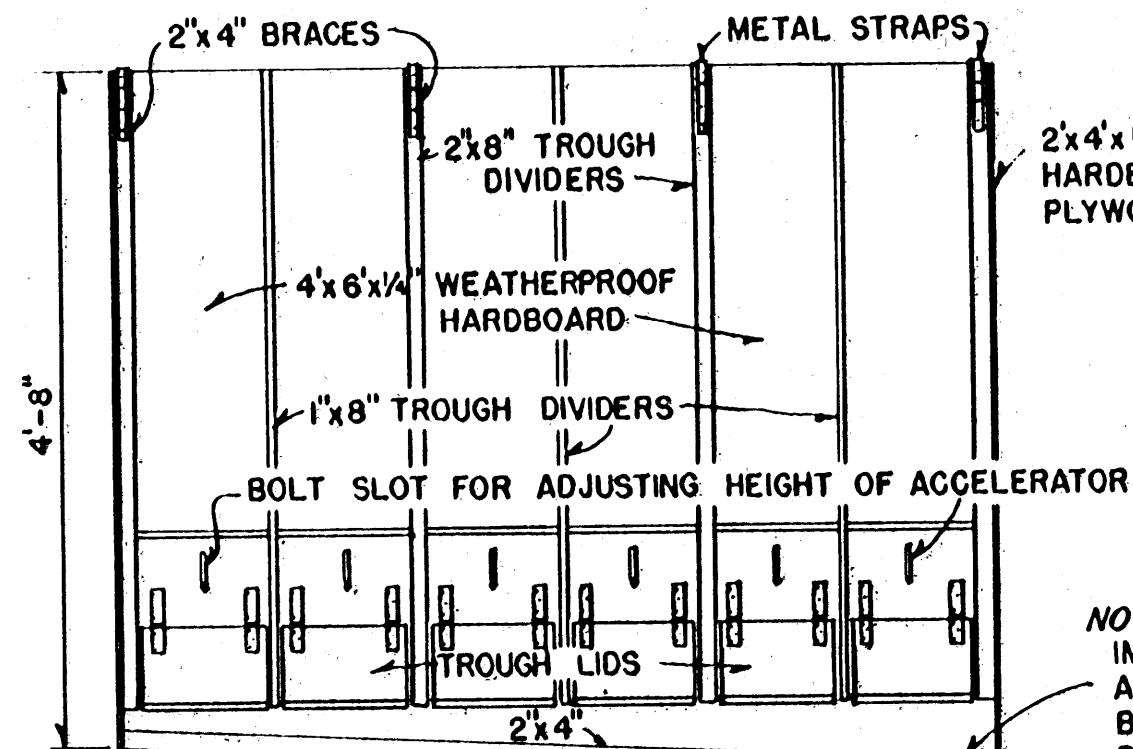
COOPERATIVE EXTENSION WORK IN AGRICULTURE AND HOME ECONOMICS
STATE OF MISSISSIPPI
MISSISSIPPI STATE UNIVERSITY
AND
UNITED STATES DEPARTMENT OF AGRICULTURE COOPERATING

PART SLAT FEEDING FLOOR
200 PIGS

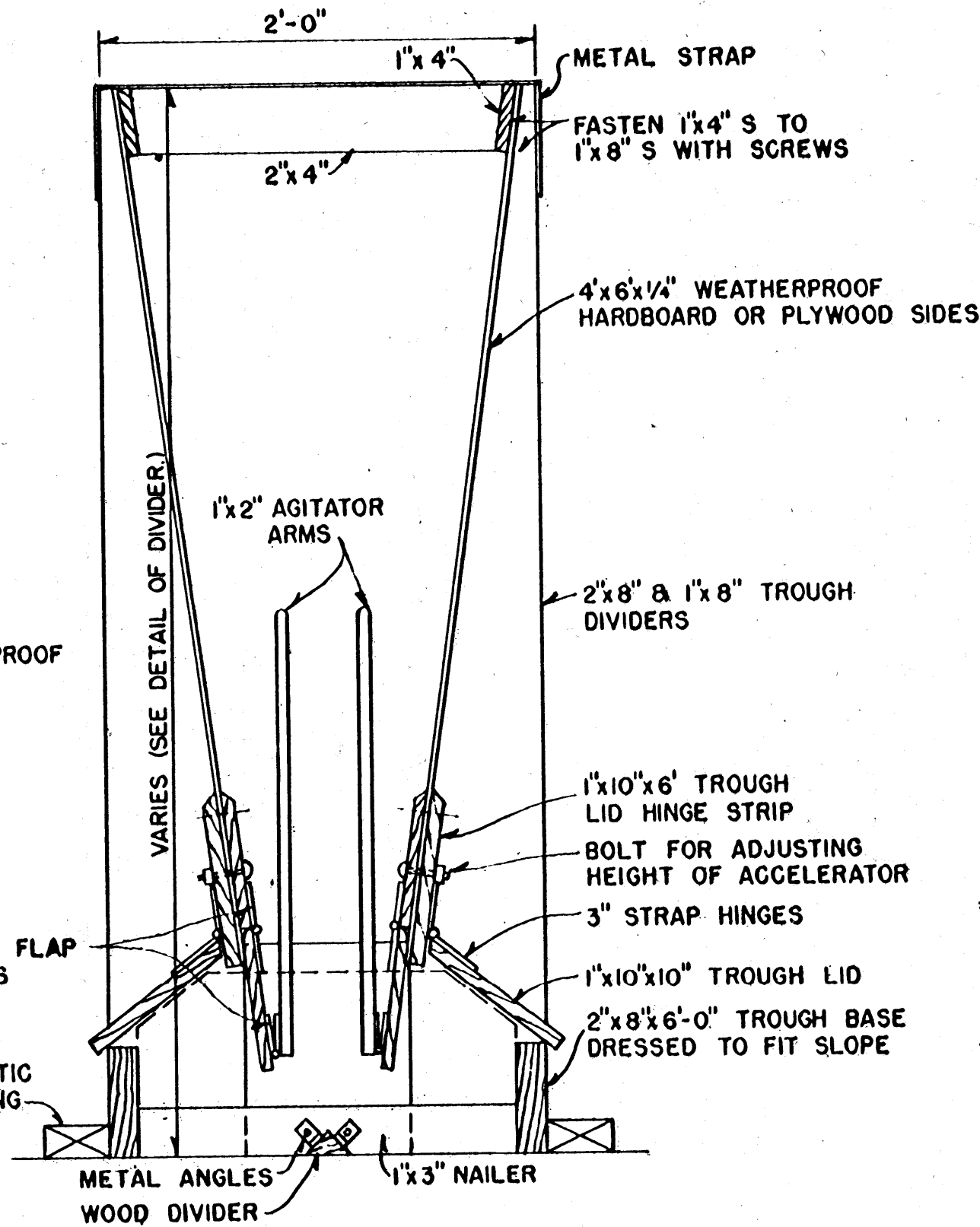
MISS. '73 EX. 6169 SHEET 1 OF 2



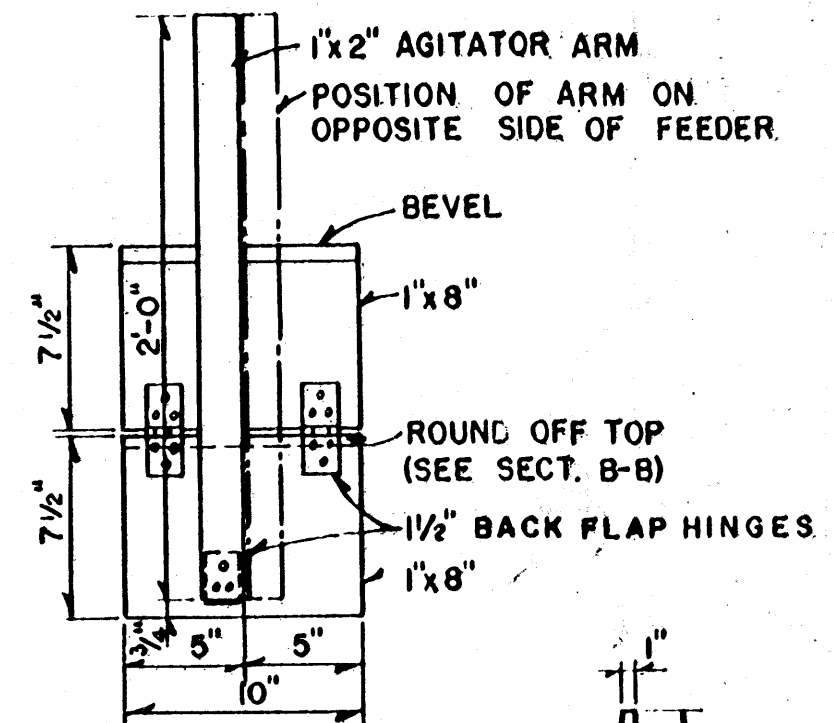
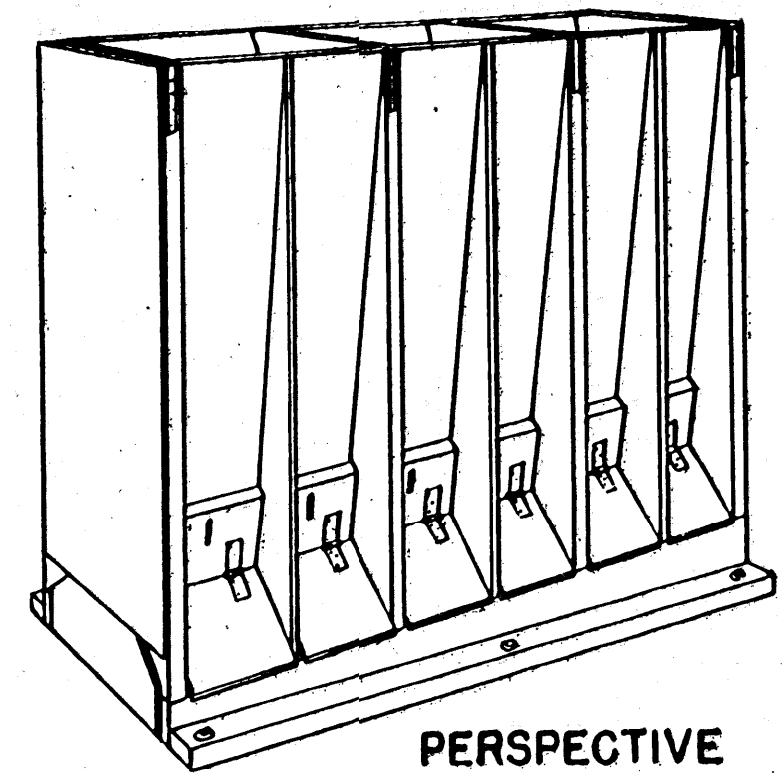
PLAN OF FEEDER
(METAL STRAPS NOT SHOWN)
SCALE: 3/4" = 1'-0"



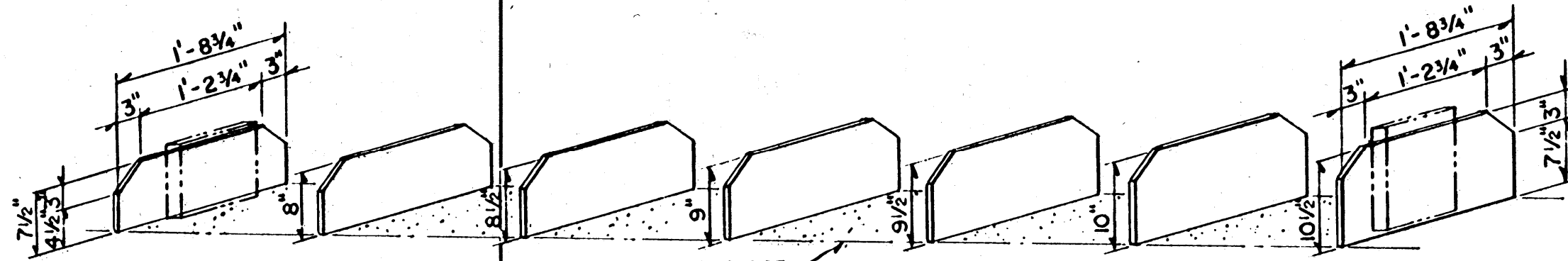
FRONT ELEVATION
SCALE: 3/4" = 1'-0"



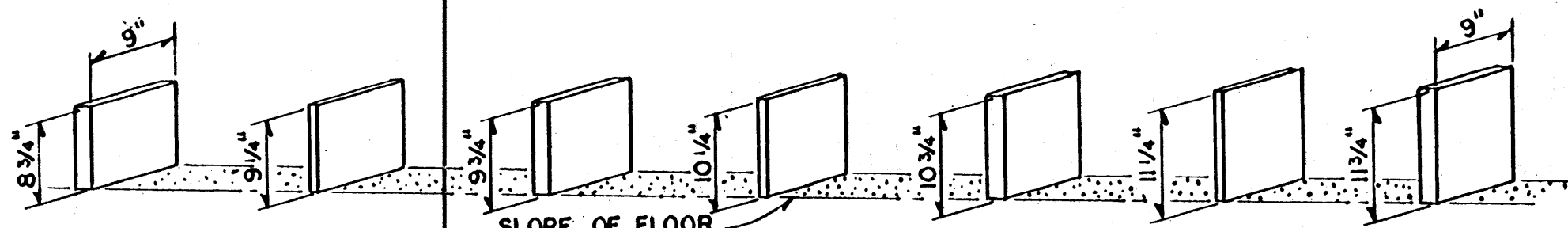
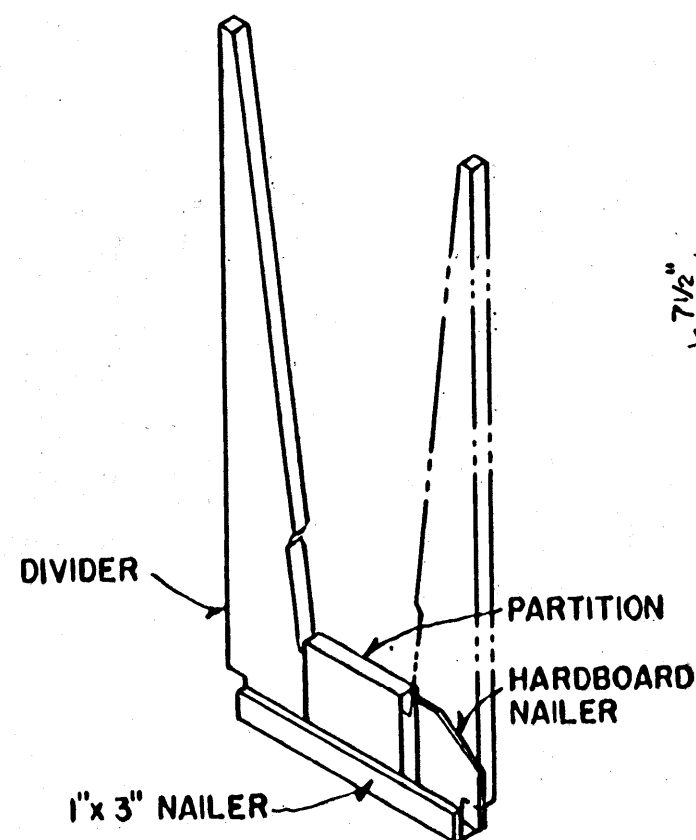
SECTION B-B
SCALE: 1/2" = 1'-0"



ACCELERATOR DEVICE
ONE FOR EACH TROUGH SPACE
SCALE: 1/2" = 1'-0"

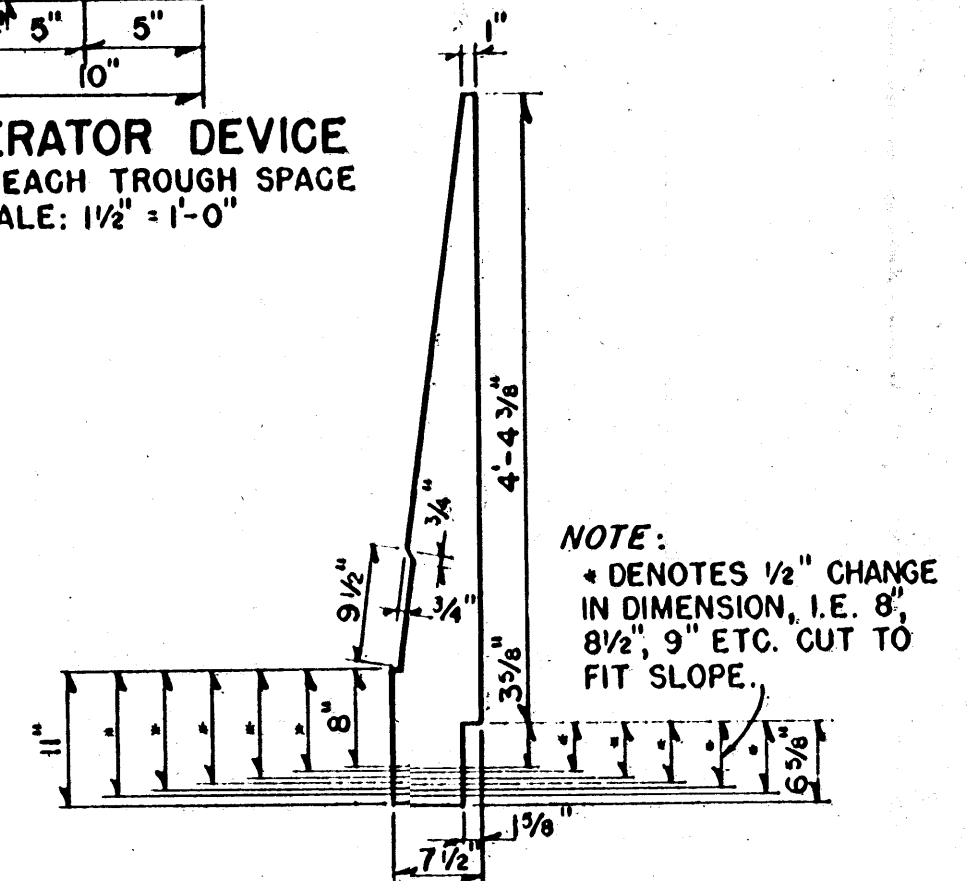


ISOMETRIC VIEW OF NAILERS
1/4" HARDBOARD 7 PIECES



SOMETRIC VIEW OF PARTITIONS
4 PIECES 2"x10" 3 PIECES 1"x10"

NOTE:
NUMBER OF PIECES AS NOTED ARE REQUIRED FOR EACH FEEDER.



DIVIDER & END
8 PIECES 2"x8" 6 PIECES 1"x8"
SCALE: 3/4" = 1'-0"

COOPERATIVE EXTENSION WORK IN
AGRICULTURE AND HOME ECONOMICS
STATE OF MISSISSIPPI
MISSISSIPPI STATE UNIVERSITY
AND
UNITED STATES DEPARTMENT OF AGRICULTURE COOPERATING

PART SLAT FEEDING FLOOR
200 PIGS

MISS. '73 EX. 6169 SHEET 2 OF 2