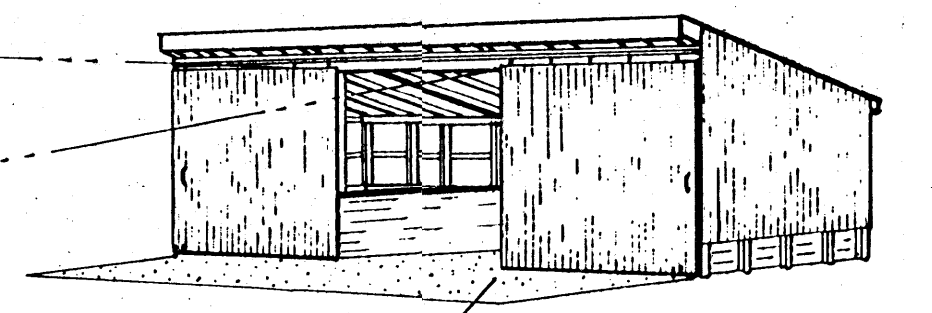
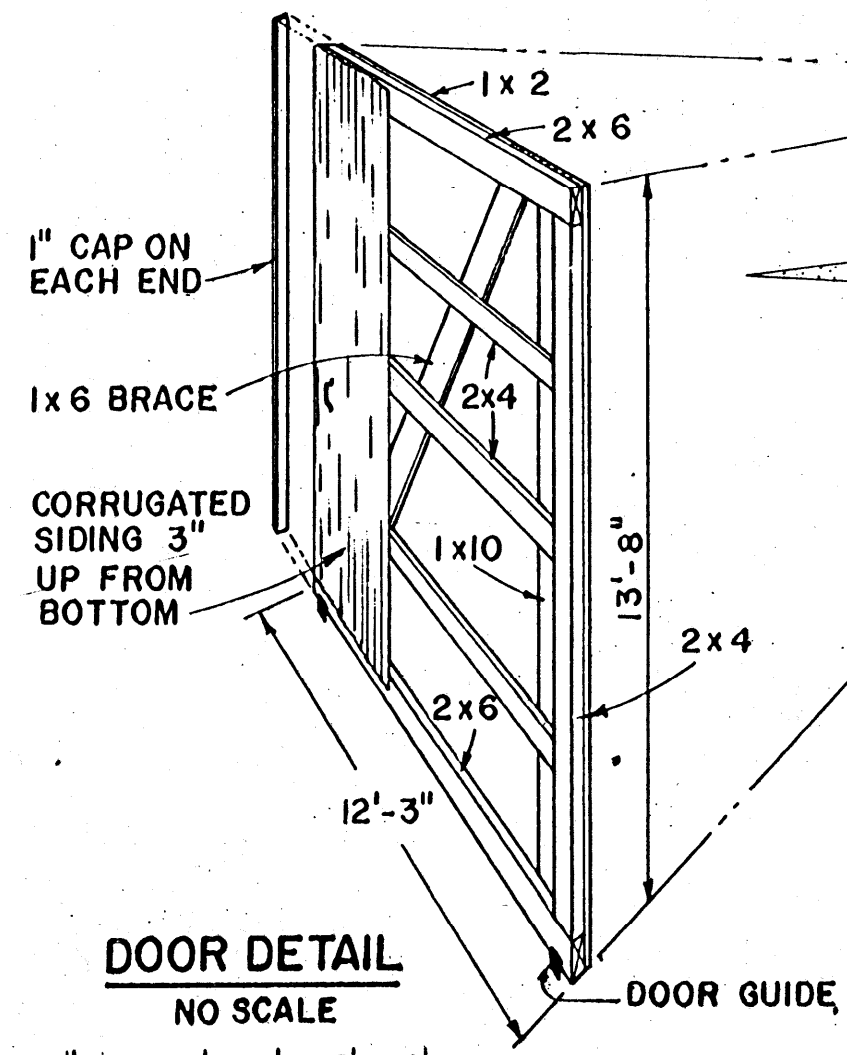
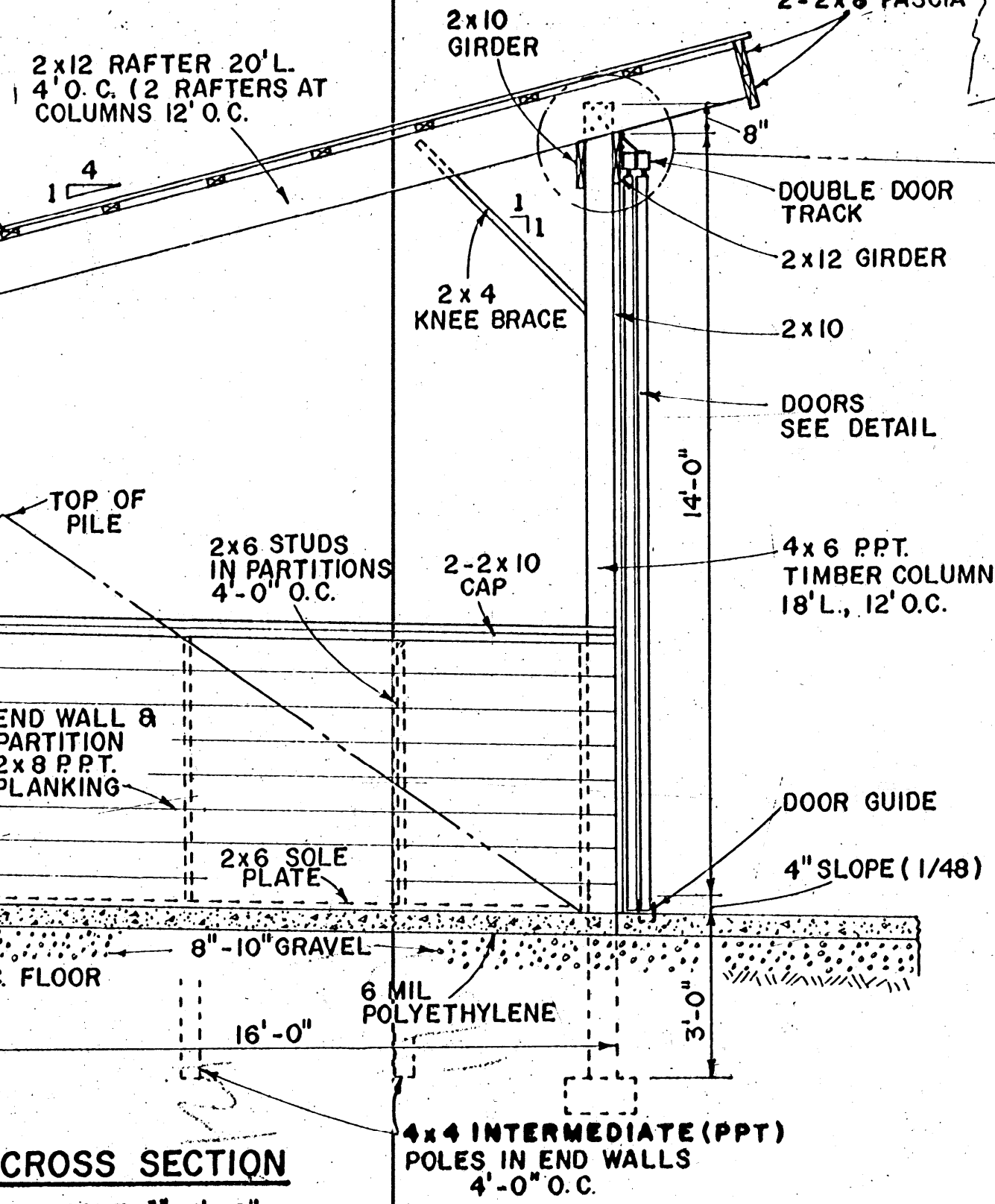
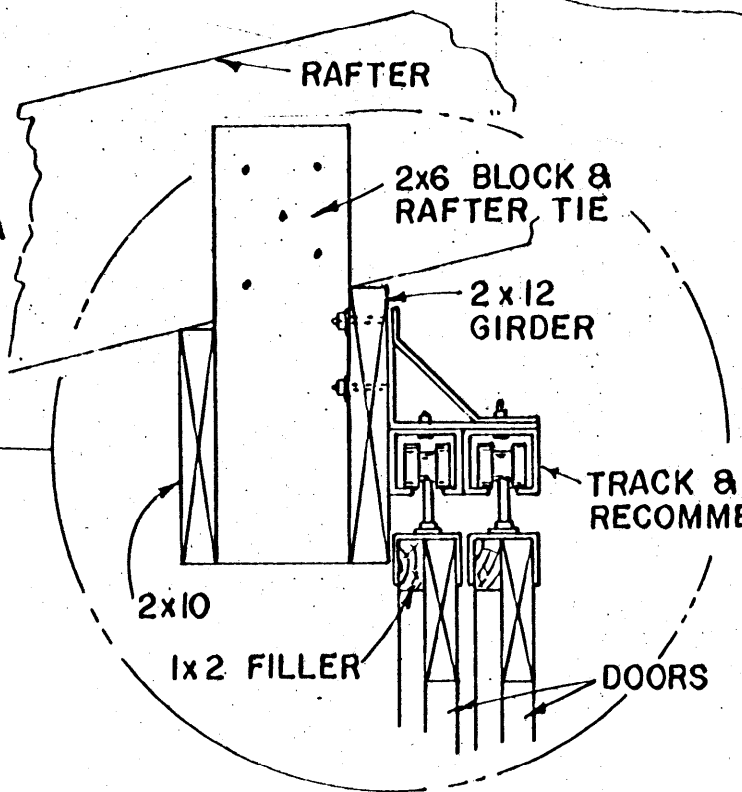


- NOTE: 1. CAPACITY - FERTILIZER APPROX. 2 TONS/FT. OF LENGTH  
 2. ROOF LOAD DESIGNED FOR 30 P.S.F.  
 3. LUMBER STRESS -  $f = 1200$  P.S.I.  
 4. CHECK DUMPING OR FILLING HEIGHT BEFORE STARTING CONSTRUCTION.  
 5. (PPT) PRESERVATIVE PRESSURE-TREATED



BASED ON: CORNELL UNIV. PL. 841  
 COOPERATIVE EXTENSION WORK IN  
 AGRICULTURE AND HOME ECONOMICS  
 STATE OF MISSISSIPPI  
 MISSISSIPPI STATE UNIVERSITY  
 AND  
 UNITED STATES DEPARTMENT OF AGRICULTURE COOPERATING

**BULK STORAGE SHED**

N.Y. '73 EX. 6176 SHEET 1 OF 1

